



US00D686830S

(12) **United States Design Patent**  
**Newcomer**

(10) **Patent No.:** **US D686,830 S**  
(45) **Date of Patent:** **\*\* Jul. 30, 2013**

- (54) **SKATEBOARD CHAIR**
- (71) Applicant: **David Newcomer**, Simi Valley, CA (US)
- (72) Inventor: **David Newcomer**, Simi Valley, CA (US)
- (\*\*) Term: **14 Years**
- (21) Appl. No.: **29/445,859**
- (22) Filed: **Feb. 18, 2013**
- (51) **LOC (9) Cl.** ..... **06-01**
- (52) **U.S. Cl.**  
USPC ..... **D6/358**
- (58) **Field of Classification Search**  
USPC ..... D6/334-336, 345, 351, 358, 361,  
D6/370, 374, 716, 716.1, 716.2, 716.3, 716.4;  
297/181, 232, 452.63; D21/765, 766  
See application file for complete search history.

- D345,656 S \* 4/1994 Theobald ..... D6/370
- D350,860 S \* 9/1994 Greeson ..... D6/370
- D379,647 S \* 6/1997 Levinthal ..... D21/766
- D394,165 S \* 5/1998 Adamovich ..... D6/358
- D404,581 S \* 1/1999 Saban ..... D6/358
- D451,690 S \* 12/2001 Adamovich ..... D6/349
- D675,693 S \* 2/2013 O'Toole ..... D21/765

\* cited by examiner

*Primary Examiner* — Mimoso De

(74) *Attorney, Agent, or Firm* — Richard S. Erbe

(57) **CLAIM**

The ornamental design for a skateboard chair, as shown and described.

**DESCRIPTION**

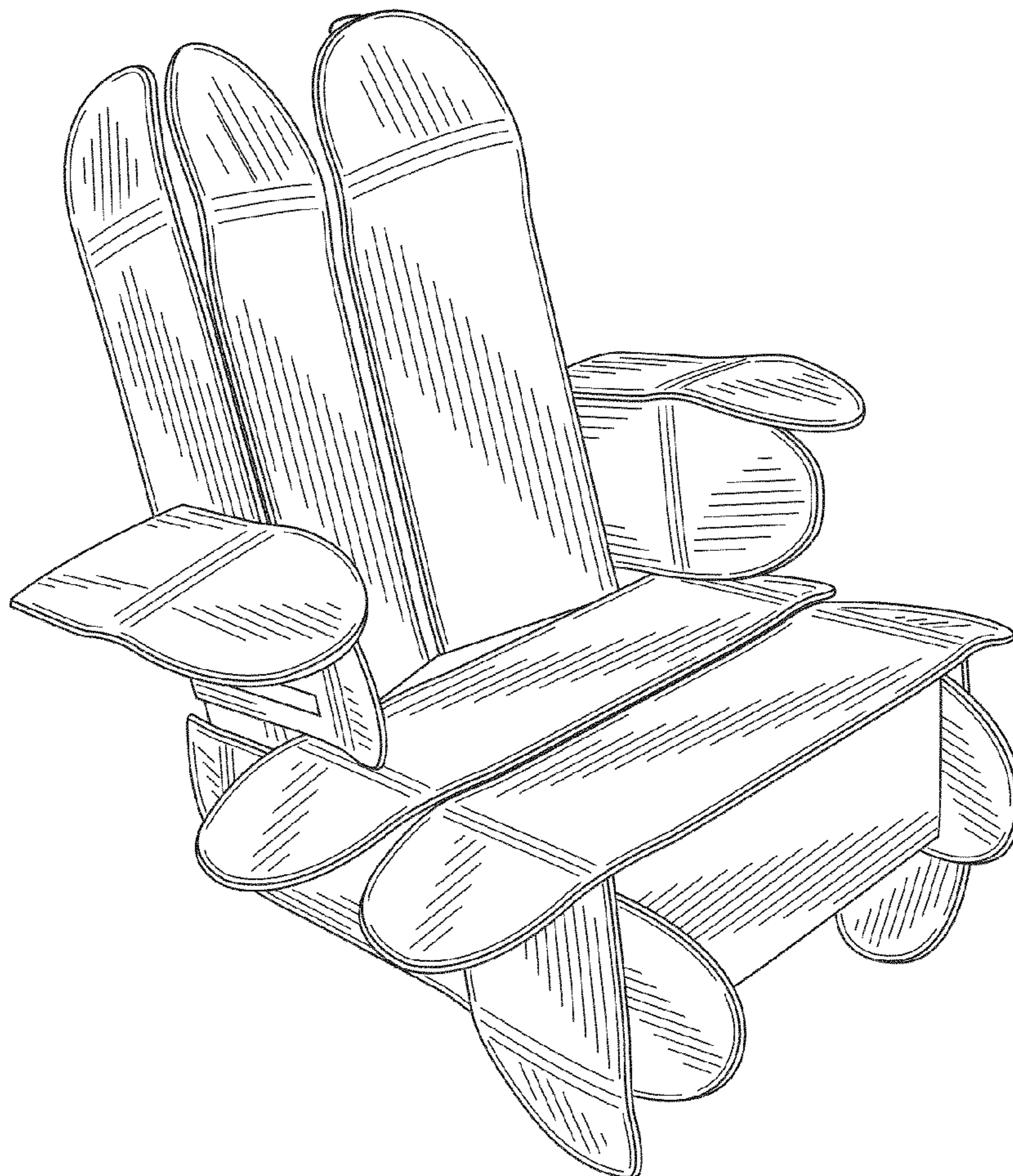
FIG. 1 is a perspective view of my skateboard chair;  
FIG. 2 is a front elevational view of my skateboard chair;  
FIG. 3 is a rear elevational view of my skateboard chair;  
FIG. 4 is a left side elevational view of my skateboard chair,  
the right side view being a mirror image of this view;  
FIG. 5 is a top view of my skateboard chair; and,  
FIG. 6 is a bottom view of my skateboard chair.

**1 Claim, 3 Drawing Sheets**

(56) **References Cited**

**U.S. PATENT DOCUMENTS**

- D78,926 S \* 7/1929 Gottlob ..... D6/370
- D84,585 S \* 7/1931 Ledder et al. .... D6/370
- D308,996 S \* 7/1990 Katz ..... D21/766



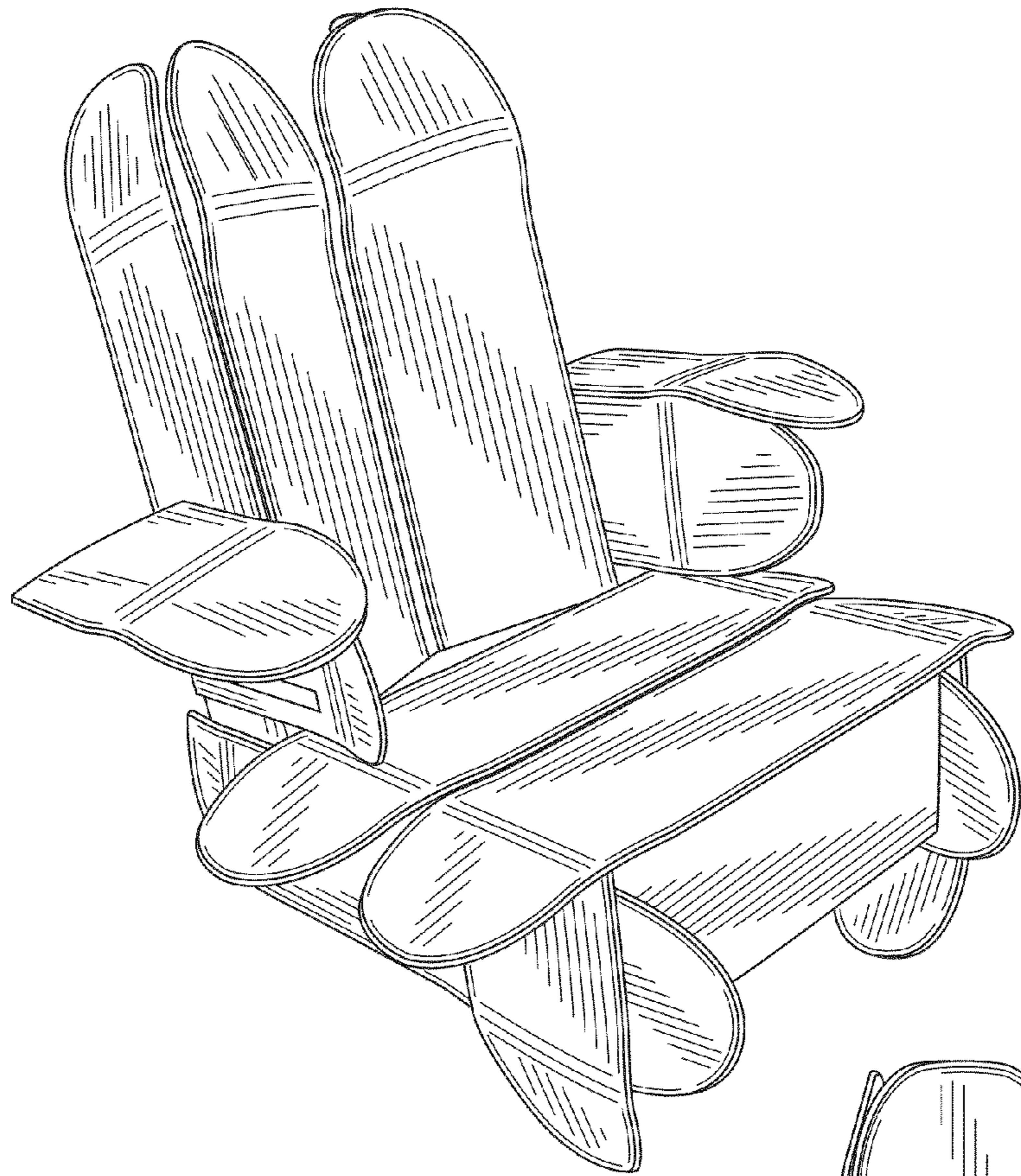


FIG. 1

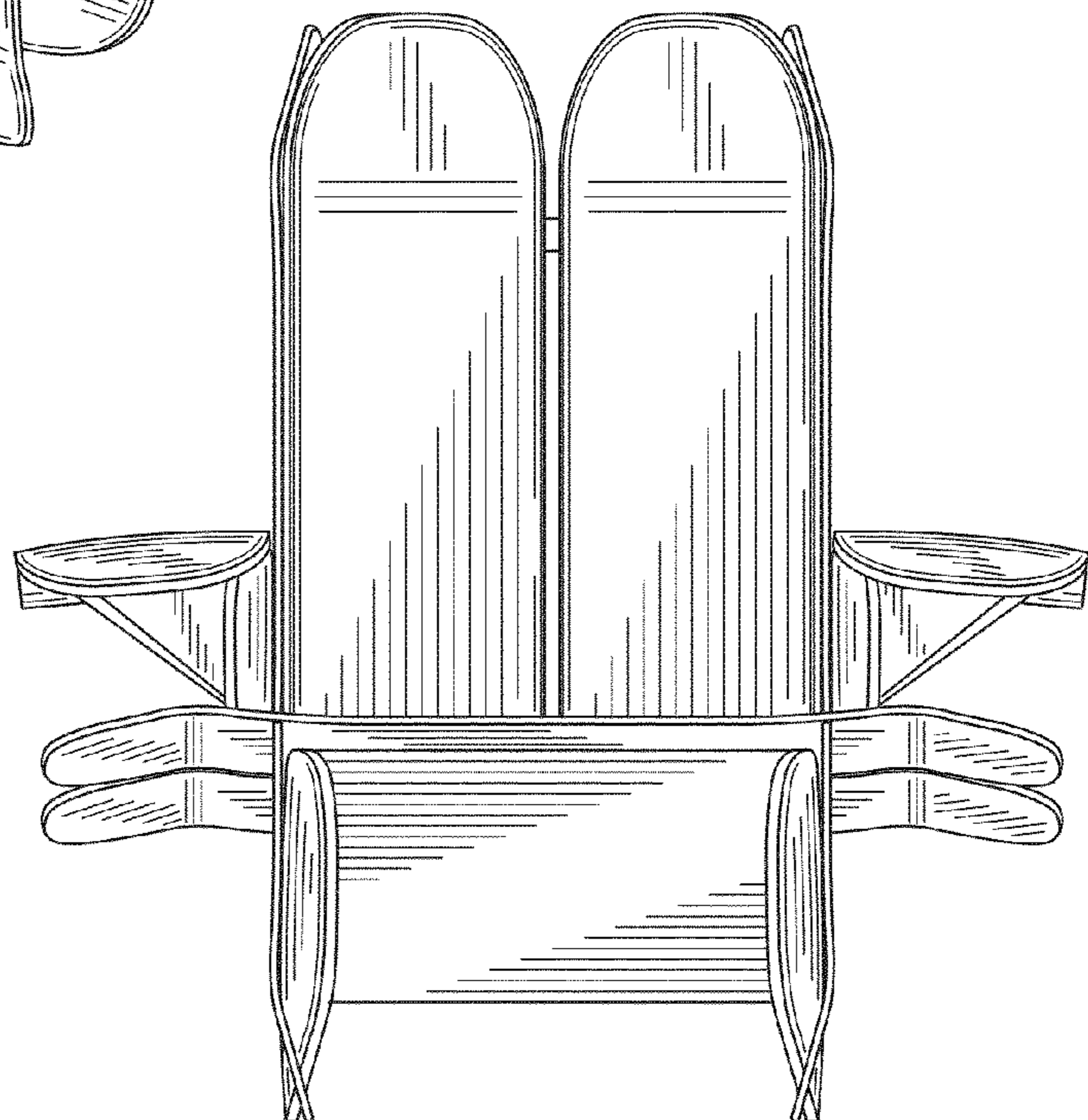


FIG. 2



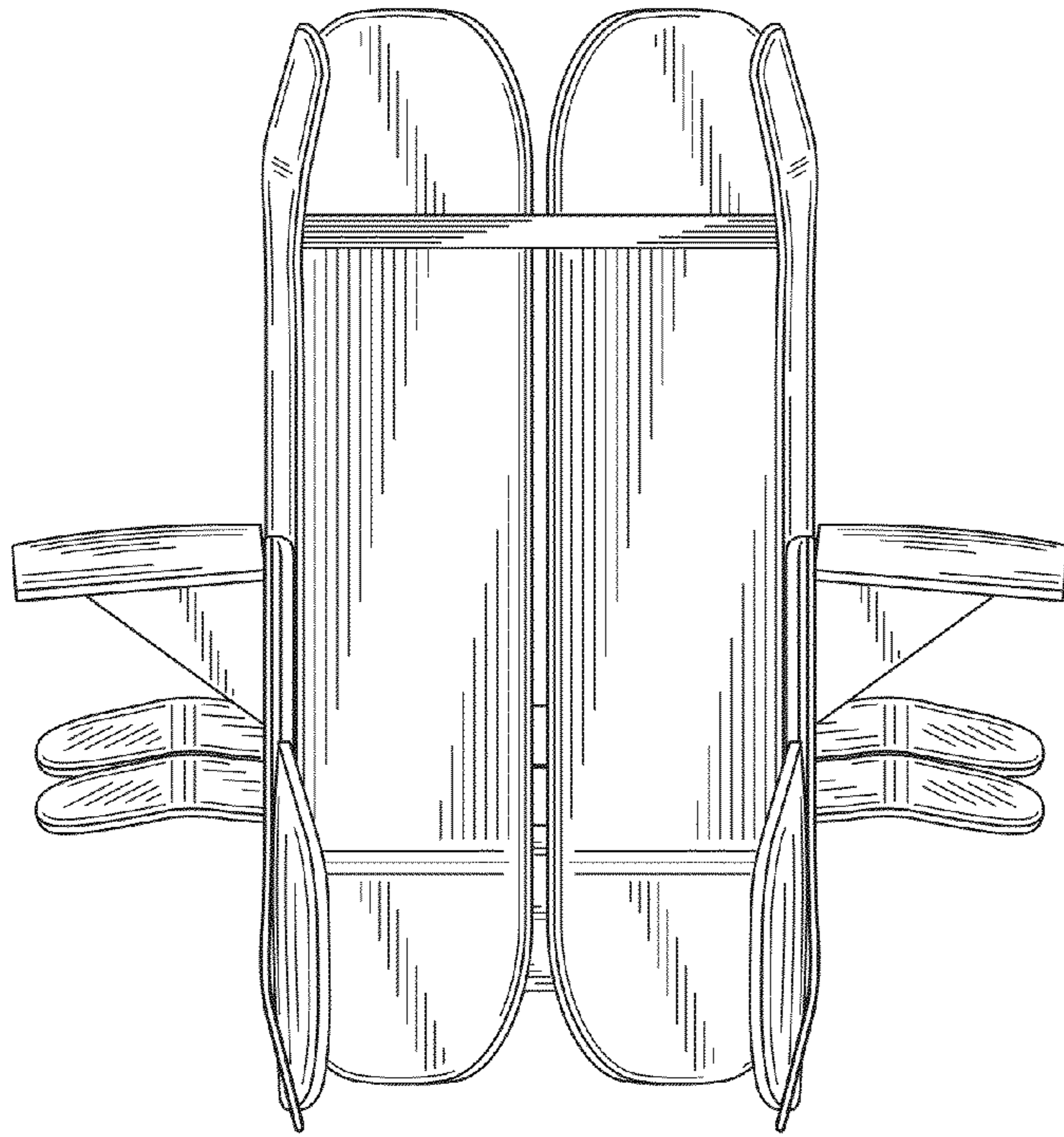


FIG. 3

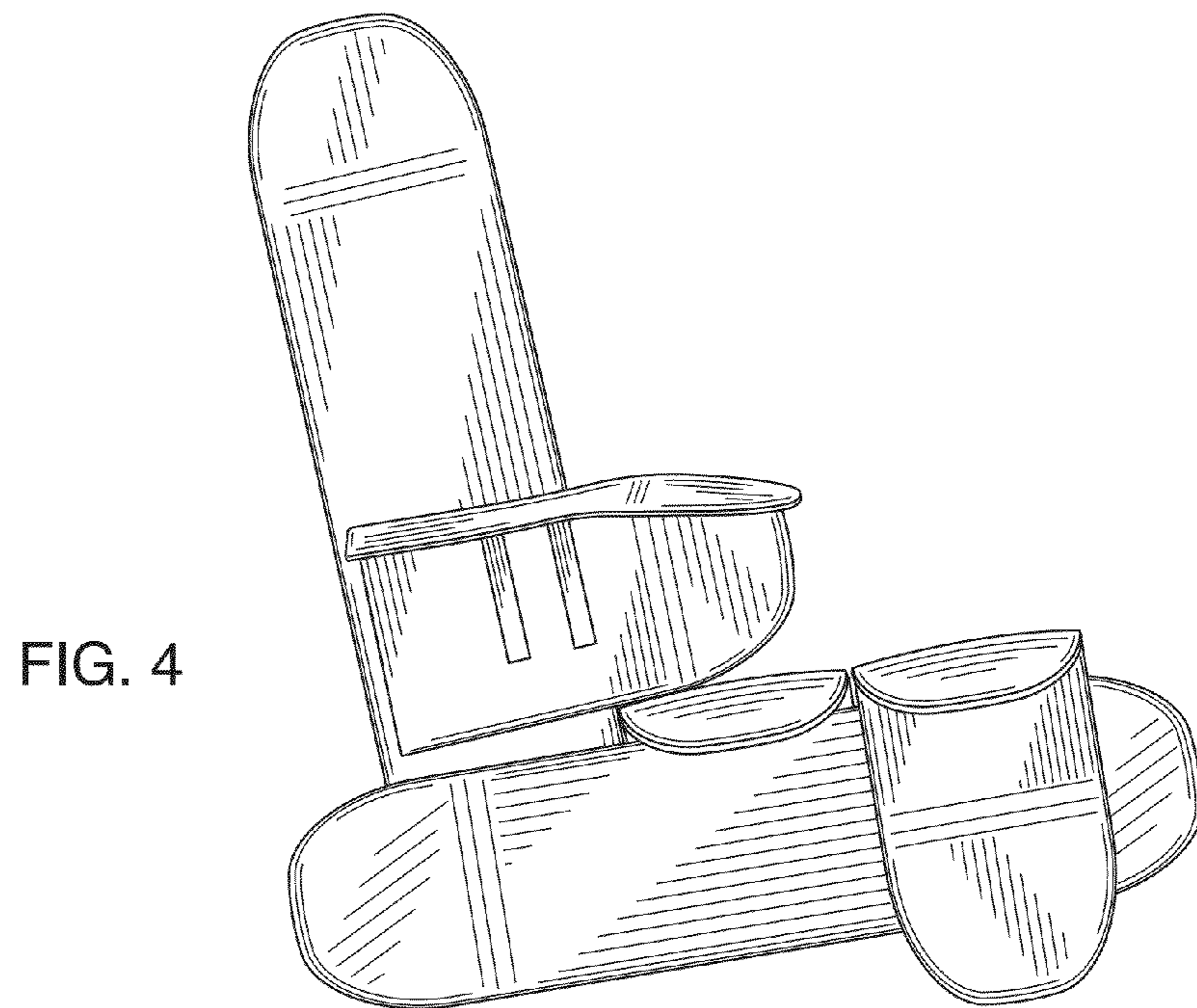


FIG. 4

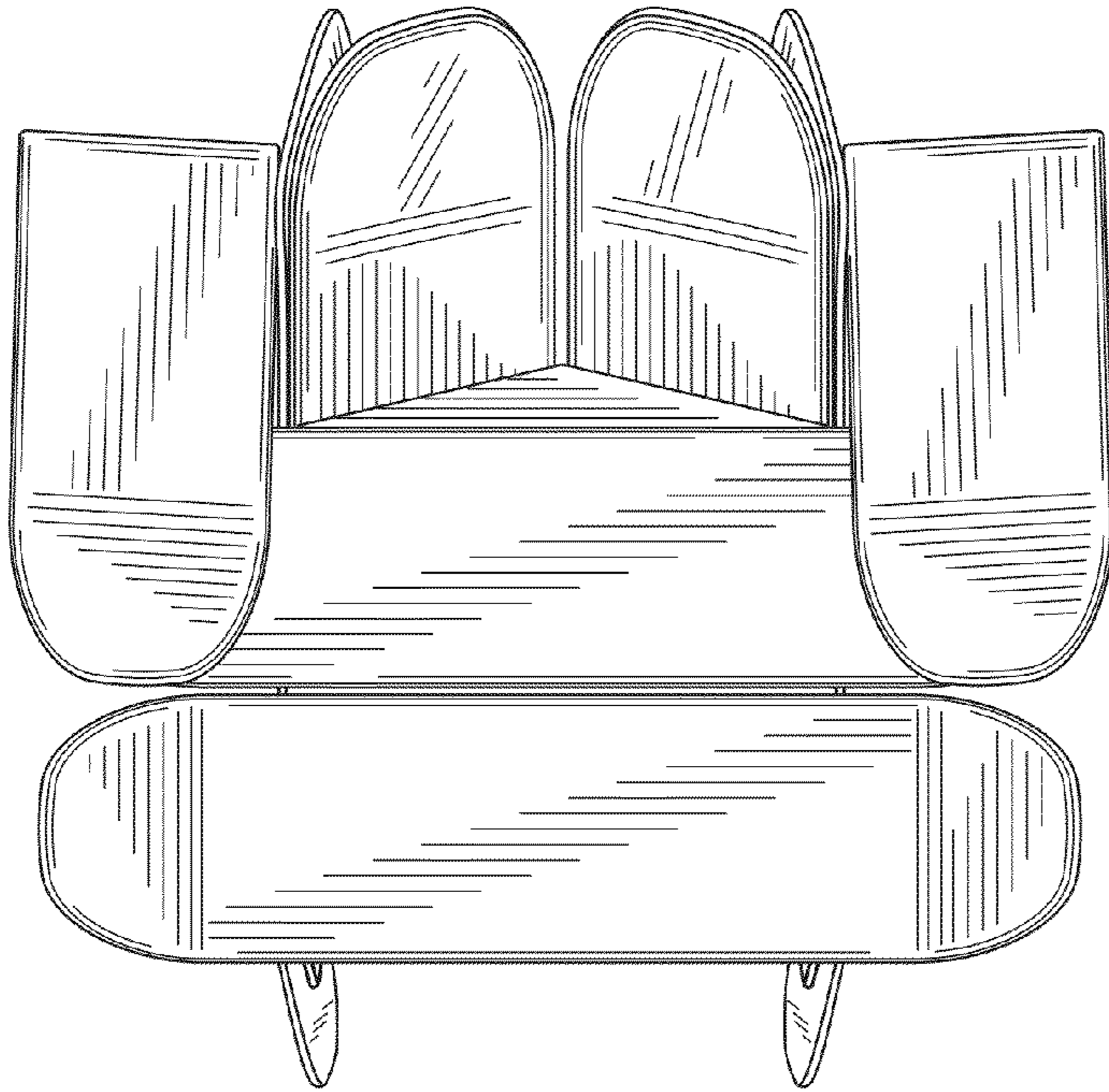


FIG. 5

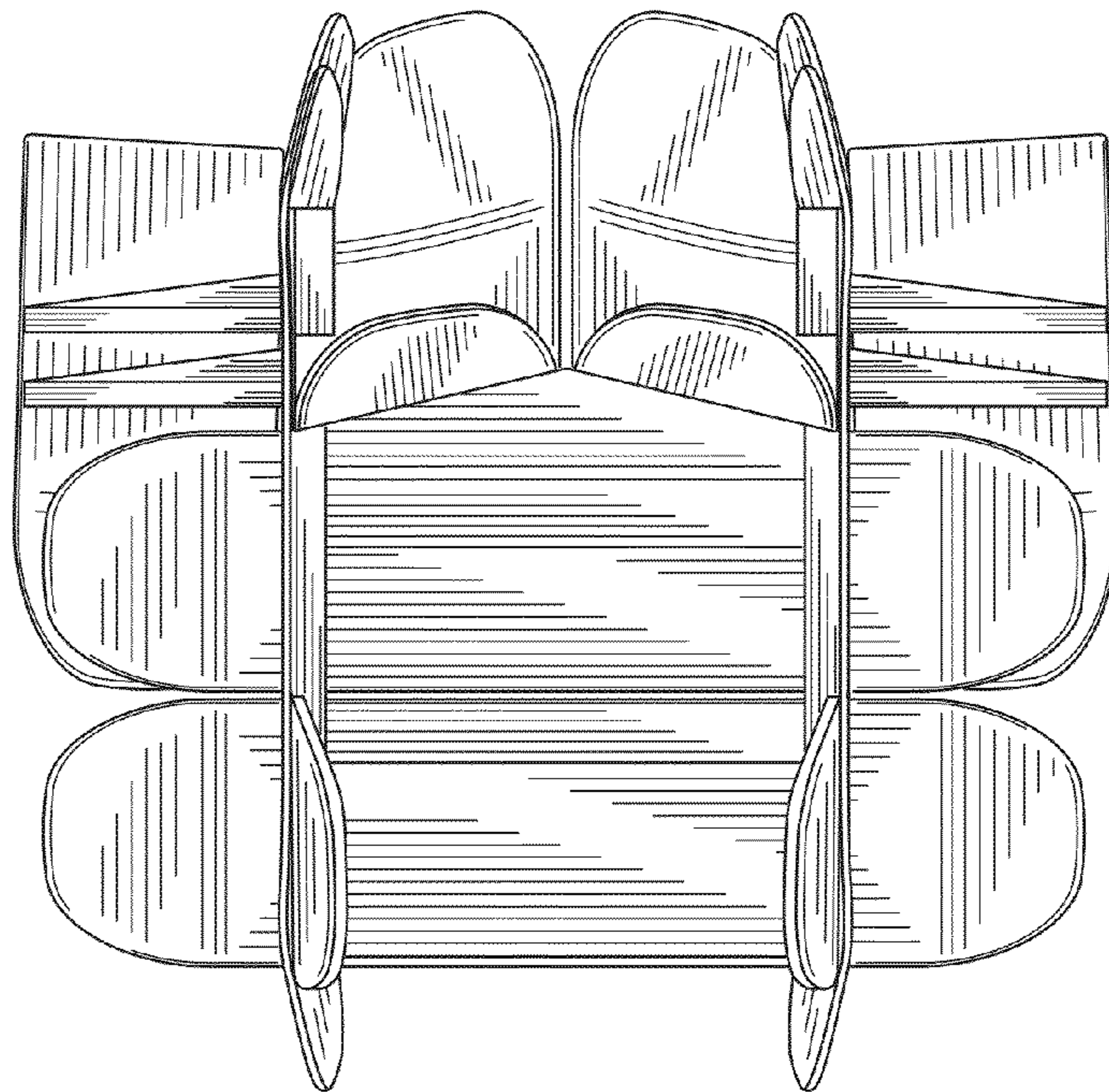


FIG. 6