



US00D686829S

(12) **United States Design Patent**  
**Elmaleh**

(10) **Patent No.:** **US D686,829 S**  
(45) **Date of Patent:** **\*\* Jul. 30, 2013**

(54) **STOOL**

(71) Applicant: **Jon Elmaleh**, Brooklyn, NY (US)

(72) Inventor: **Jon Elmaleh**, Brooklyn, NY (US)

(73) Assignee: **Kore Design LLC**, Brooklyn, NY (US)

(\*\*) Term: **14 Years**

(21) Appl. No.: **29/439,619**

(22) Filed: **Dec. 13, 2012**

(51) **LOC (9) Cl.** ..... **06-01**

(52) **U.S. Cl.**  
USPC ..... **D6/352**

(58) **Field of Classification Search**  
USPC ..... D6/334-336, 338, 340-355, 360,  
D6/363-365, 367-373, 656, 716.1-716.6,  
D6/717, 717.2; 297/461, 462, 115, 116, 135,  
297/160-162

See application file for complete search history.

(56) **References Cited**

**U.S. PATENT DOCUMENTS**

D106,216 S \* 9/1937 Salomon ..... D6/349  
3,230,910 A \* 1/1966 Olssen ..... 297/461  
D207,708 S \* 5/1967 Michaels ..... D6/352  
3,770,319 A \* 11/1973 Ono ..... 297/461

D233,714 S \* 11/1974 Everard ..... D6/352  
D266,037 S \* 9/1982 Heighberger ..... D6/349  
D283,856 S \* 5/1986 Elmaleh ..... D6/349  
D454,438 S \* 3/2002 Volkman et al. .... D6/349  
D474,039 S \* 5/2003 Zemp ..... D6/349  
D523,251 S \* 6/2006 Parpala ..... D6/352  
D557,909 S \* 12/2007 LaSorsa ..... D6/349  
D565,313 S \* 4/2008 Johnsen ..... D6/349  
D653,059 S \* 1/2012 Birch ..... D6/495  
D664,779 S \* 8/2012 Weber et al. .... D6/349  
2011/0221255 A1 \* 9/2011 Weber et al. .... 297/452.21

\* cited by examiner

*Primary Examiner* — Susan Bennett Hattan

*Assistant Examiner* — Vy Koenig

(74) *Attorney, Agent, or Firm* — Notaro, Michalos & Zaccaria P.C.

(57) **CLAIM**

The ornamental design for a stool, as shown and described.

**DESCRIPTION**

FIG. 1 is a front, top, left perspective view of a stool showing my design therefor;

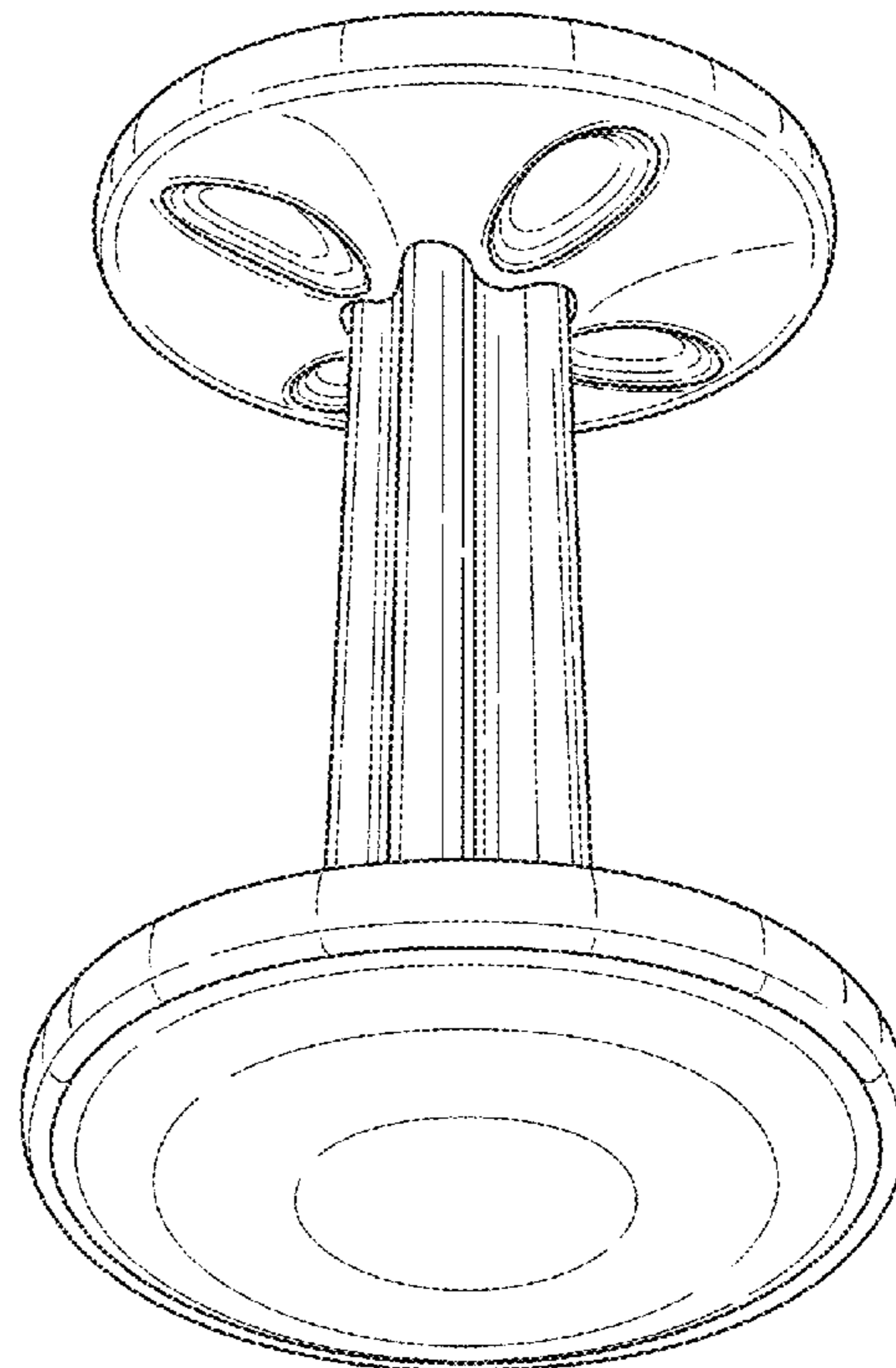
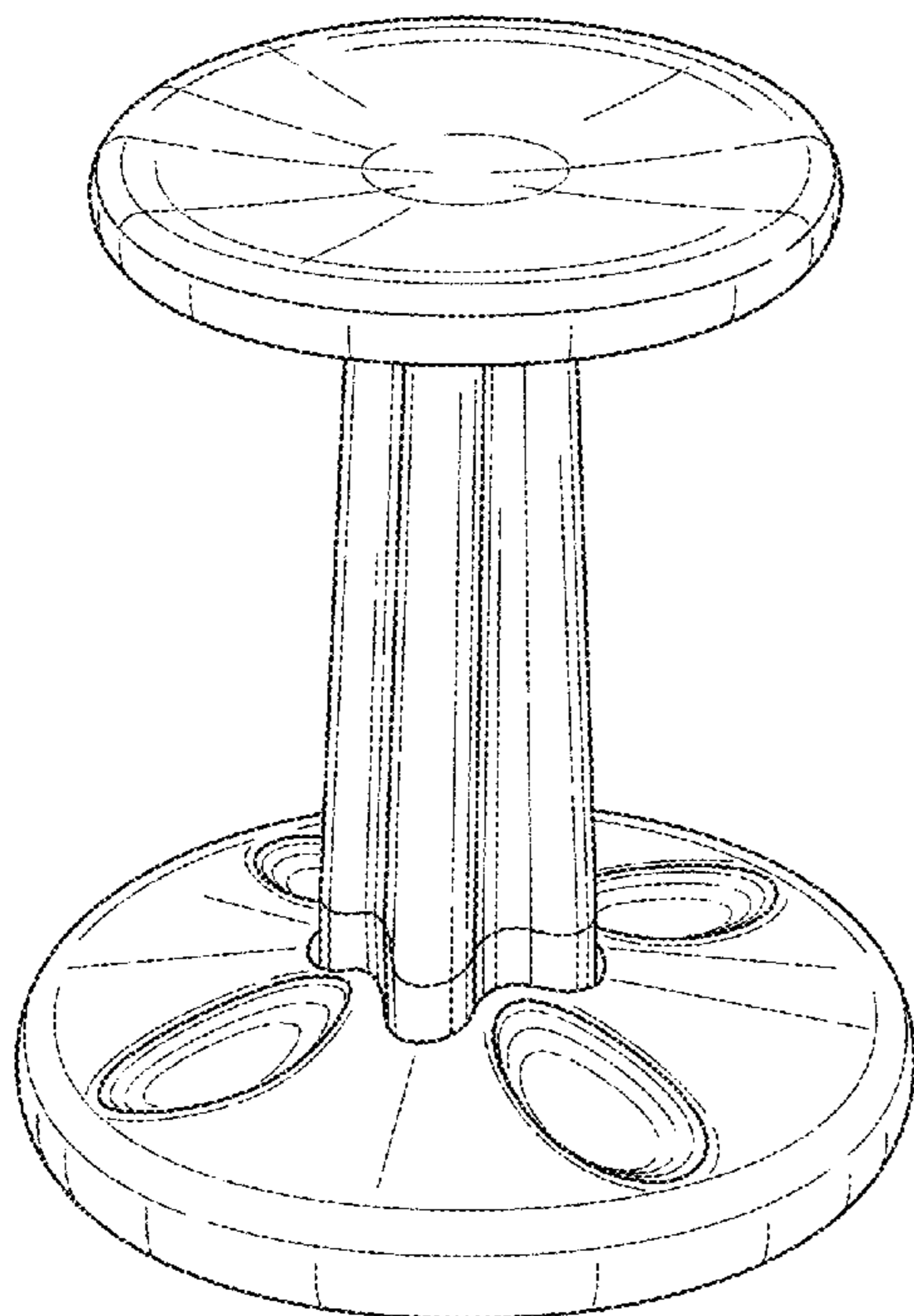
FIG. 2 is a bottom rear right perspective view thereof;

FIG. 3 is a front elevational view thereof, both sides and rear views being identical;

FIG. 4 is a top plan view thereof; and,

FIG. 5 is a bottom plan view thereof.

**1 Claim, 4 Drawing Sheets**



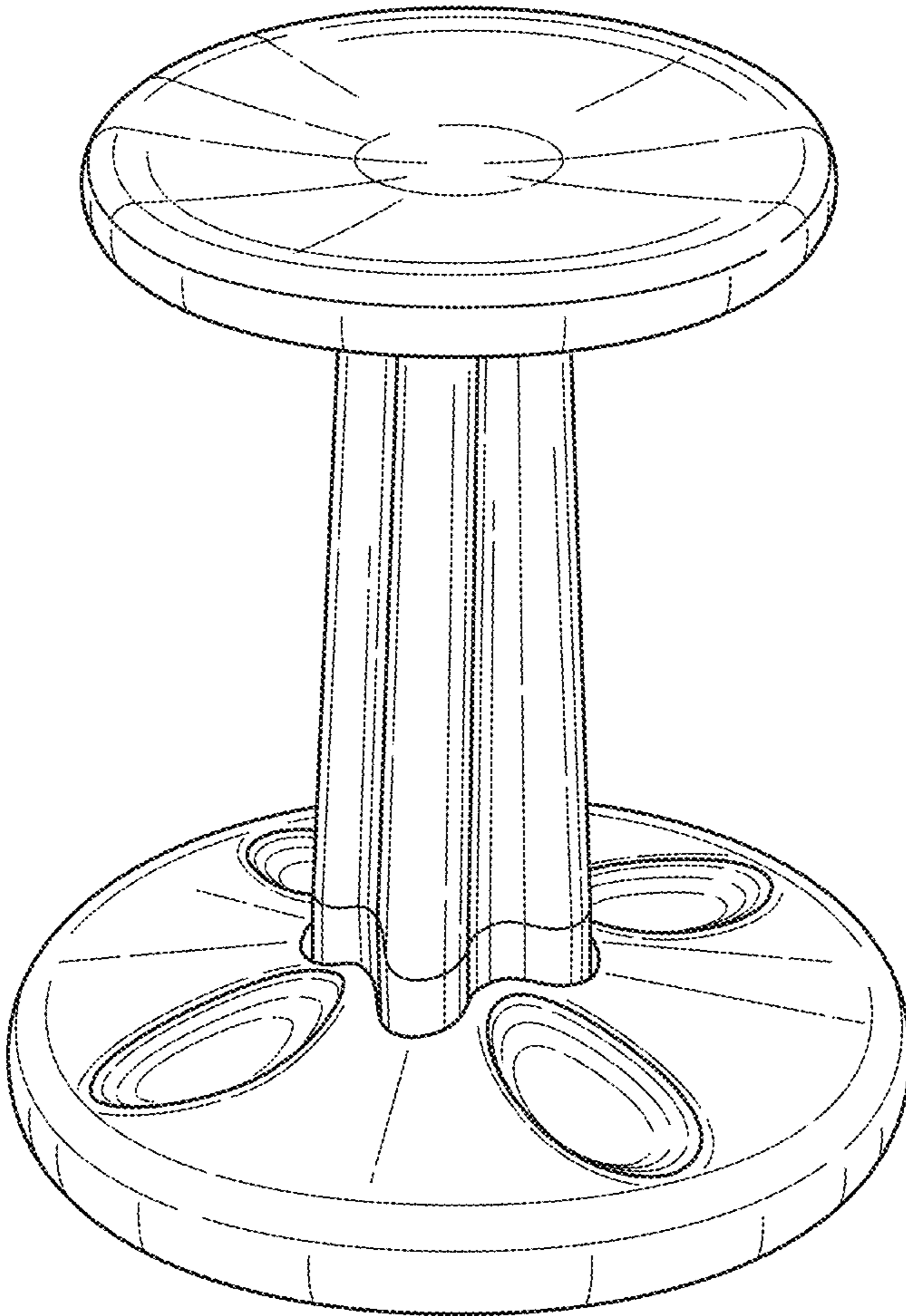


FIG. 1

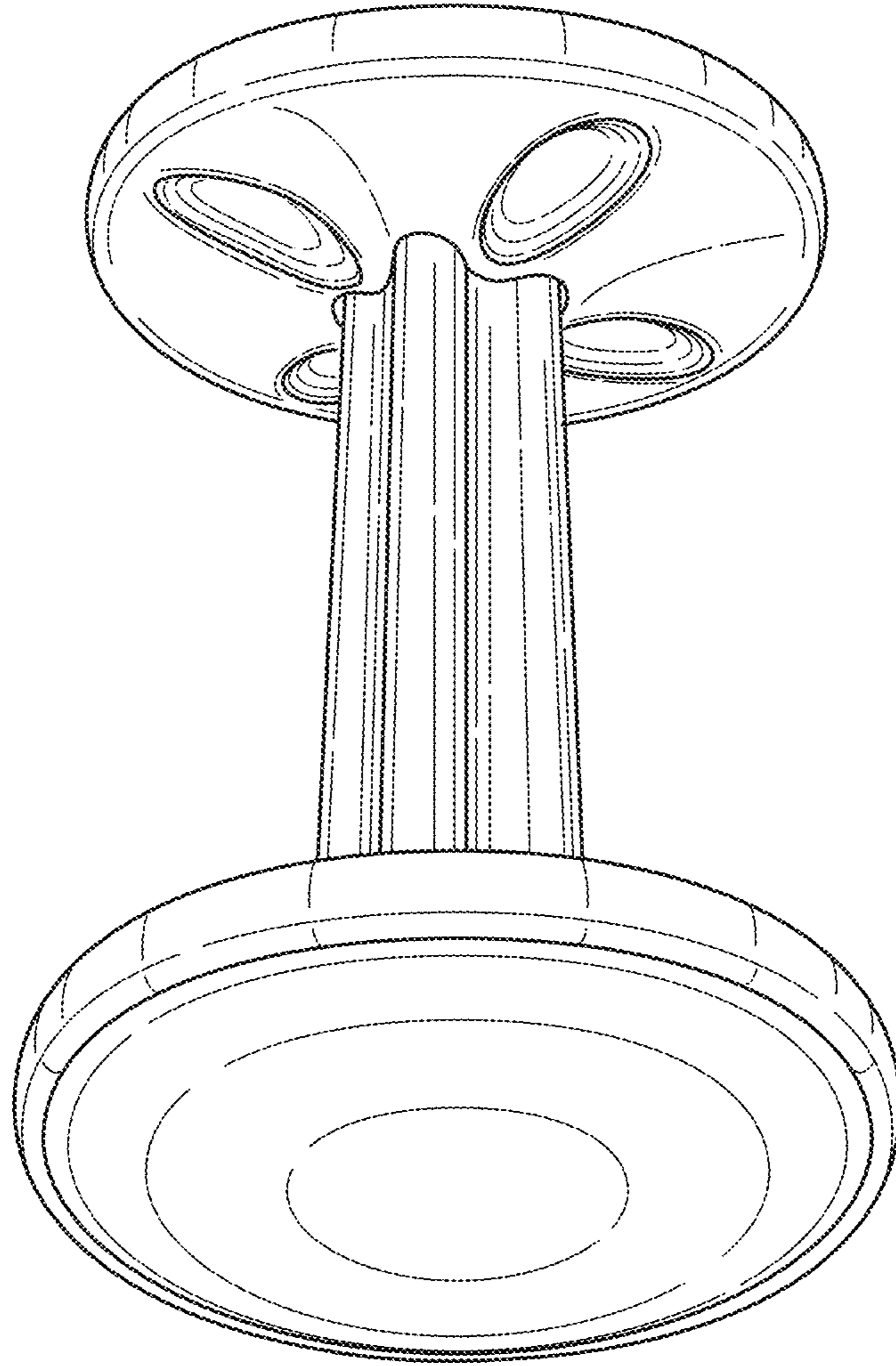


FIG. 2

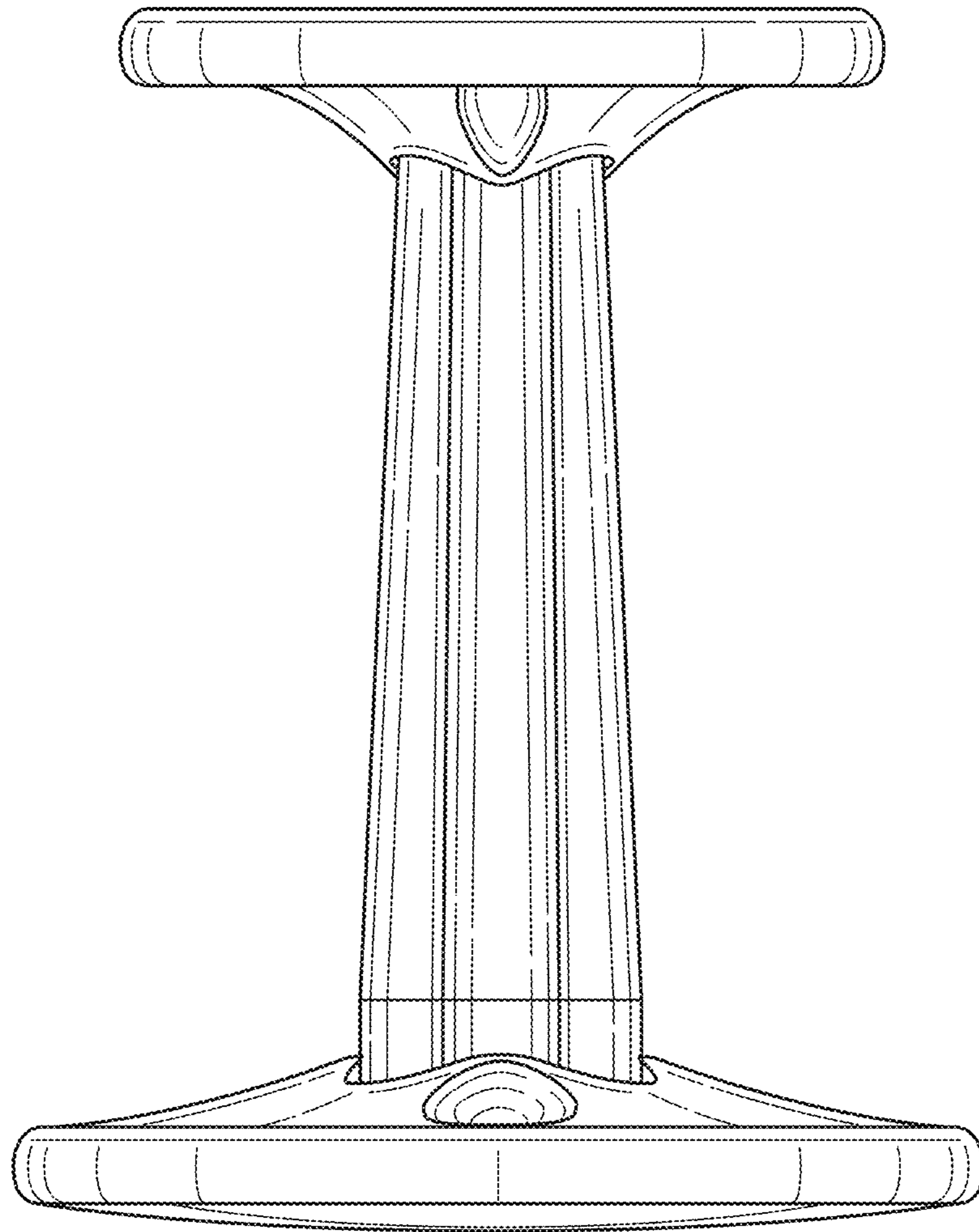


FIG. 3

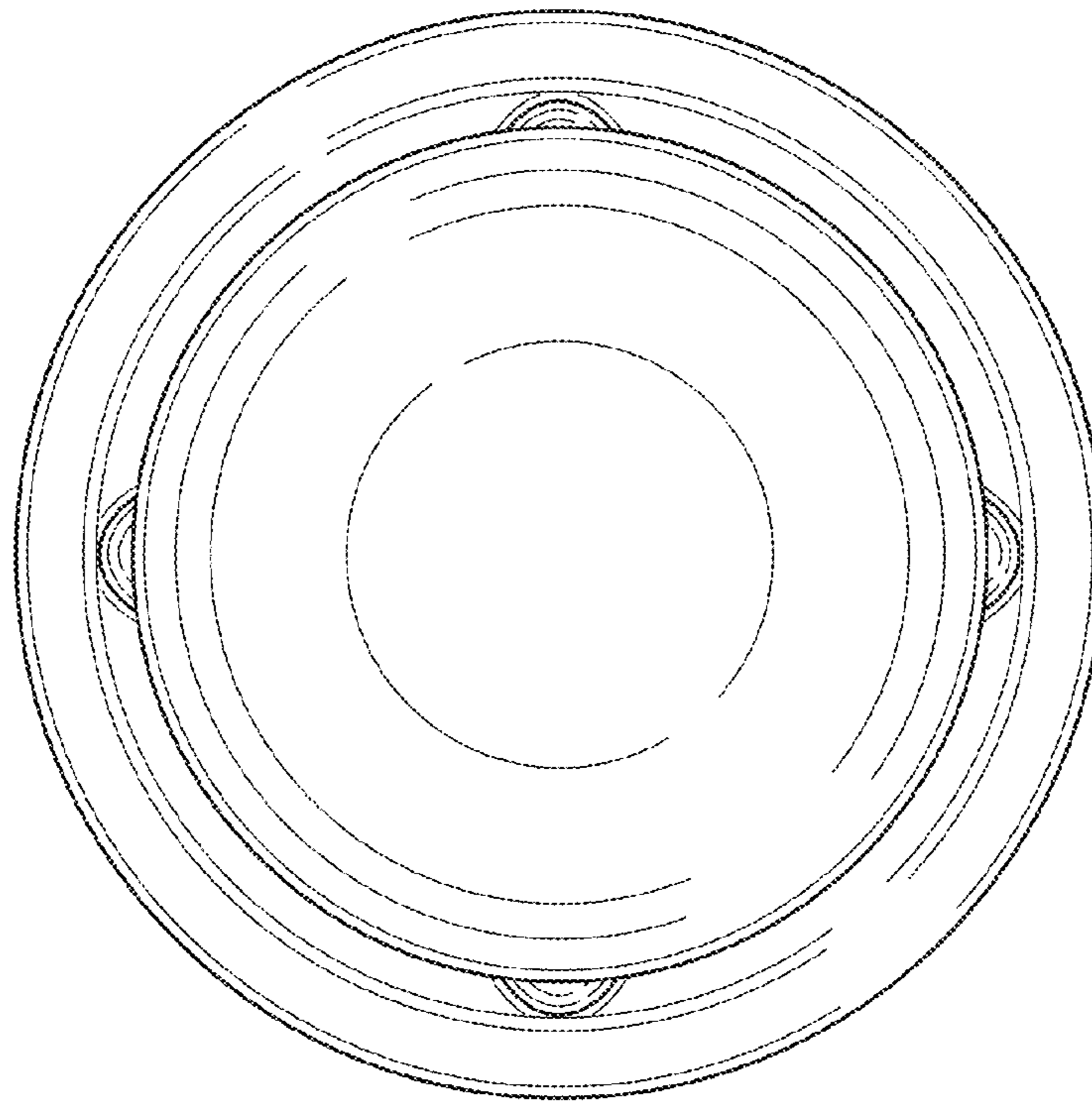


FIG. 4

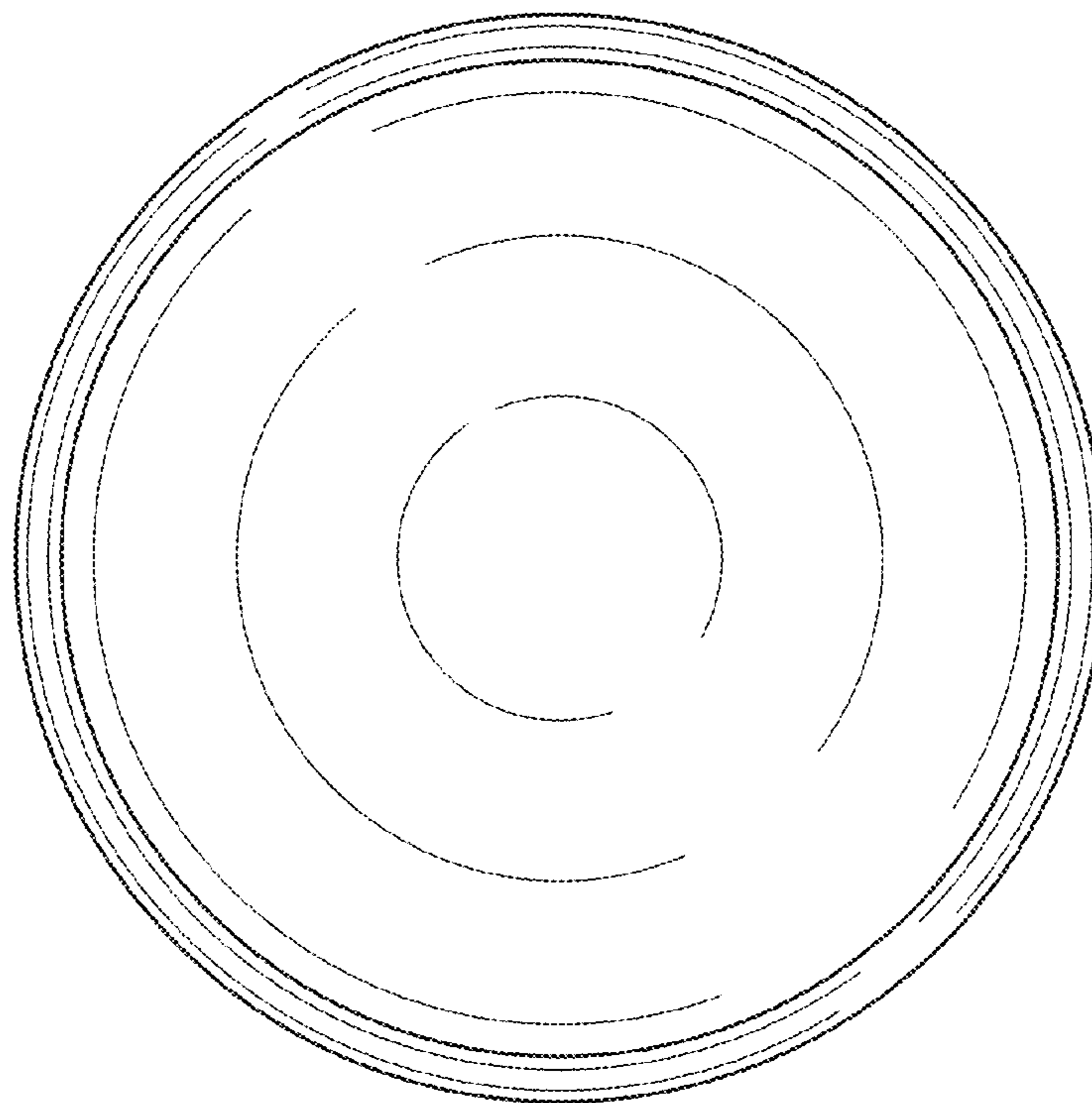


FIG. 5