



US00D686827S

(12) **United States Design Patent**
Lee

(10) **Patent No.:** **US D686,827 S**
(45) **Date of Patent:** **** Jul. 30, 2013**

(54) **PICTURE FRAME**

(76) Inventor: **Lawrence K. Lee**, Houston, TX (US)

(**) Term: **14 Years**

(21) Appl. No.: **29/403,082**

(22) Filed: **Sep. 30, 2011**

(51) **LOC (9) Cl.** **06-07**

(52) **U.S. Cl.**
USPC **D6/301**

(58) **Field of Classification Search**
USPC D6/300-314, 444; 40/700, 757, 758,
40/734, 720, 748, 721, 491, 716, 768, 765;
273/157 R; 211/40; D13/177; 116/323; D8/353
See application file for complete search history.

D517,331 S * 3/2006 Sakaguchi D6/305
D520,251 S * 5/2006 Sakaguchi D6/314
RE40,522 E * 9/2008 Capella D8/353
RE40,560 E * 11/2008 Capella D8/353
D580,182 S * 11/2008 Mangelsen D6/301
RE41,067 E * 1/2010 Capella D8/353
D633,309 S * 3/2011 Mangelsen D6/301

* cited by examiner

Primary Examiner — Philip S Hyder

Assistant Examiner — Sydney Buffalow

(74) *Attorney, Agent, or Firm* — Egbert Law Offices, PLLC

(56) **References Cited**

U.S. PATENT DOCUMENTS

2,169,290	A	*	8/1939	Rossi	40/765
D245,659	S	*	9/1977	Grusin	D6/301
D245,660	S	*	9/1977	Grusin	D6/301
D271,360	S	*	11/1983	Le	D6/301
D271,361	S	*	11/1983	Le	D6/301
D379,453	S	*	5/1997	Fabrizi	D13/177
D421,682	S	*	3/2000	Rowan	D6/301
D426,711	S	*	6/2000	Kacius	D6/301
D430,478	S	*	9/2000	De brey et al.	D8/353
6,490,818	B1	*	12/2002	Bramhall et al.	40/491
D503,543	S	*	4/2005	Sakaguchi	D6/305

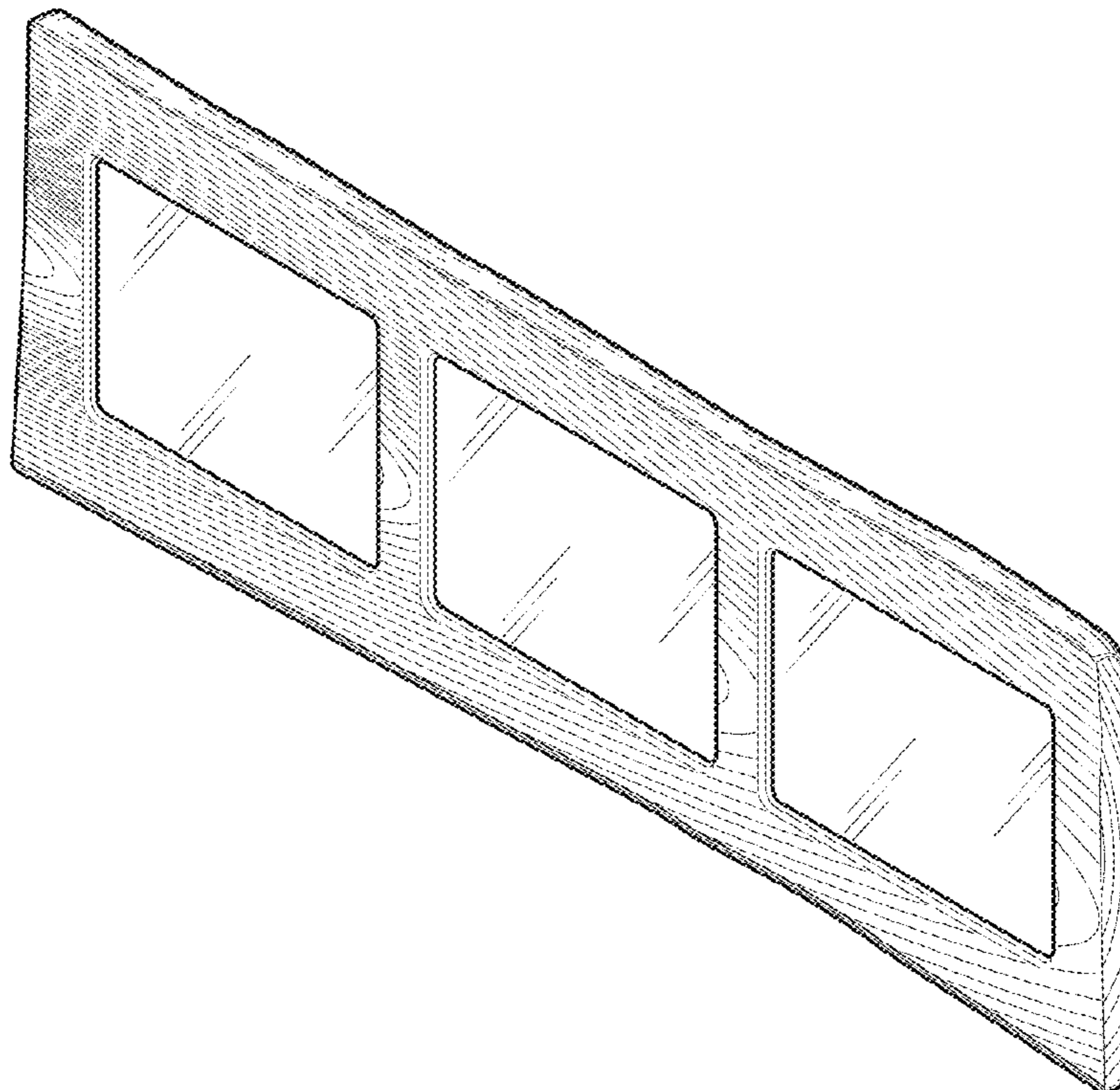
(57) **CLAIM**

The ornamental design for a picture frame, as shown and described.

DESCRIPTION

FIG. 1 is an upper perspective view of the picture frame showing my design.
FIG. 2 is a front view thereof;
FIG. 3 is a rear view thereof;
FIG. 4 is a top view thereof;
FIG. 5 is a bottom view thereof;
FIG. 6 is a side view thereof; and,
FIG. 7 is an opposite side view.

1 Claim, 2 Drawing Sheets



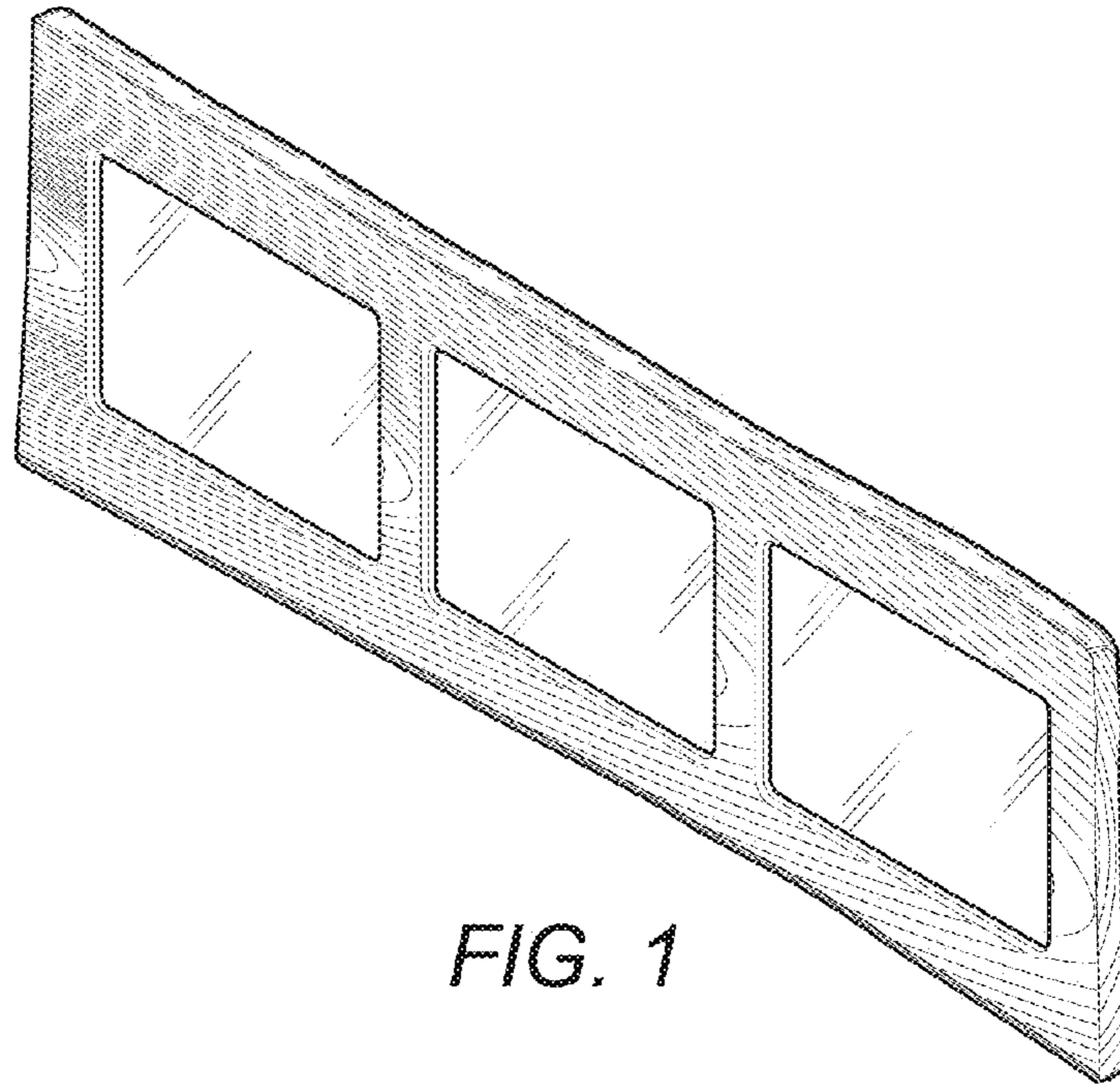


FIG. 1

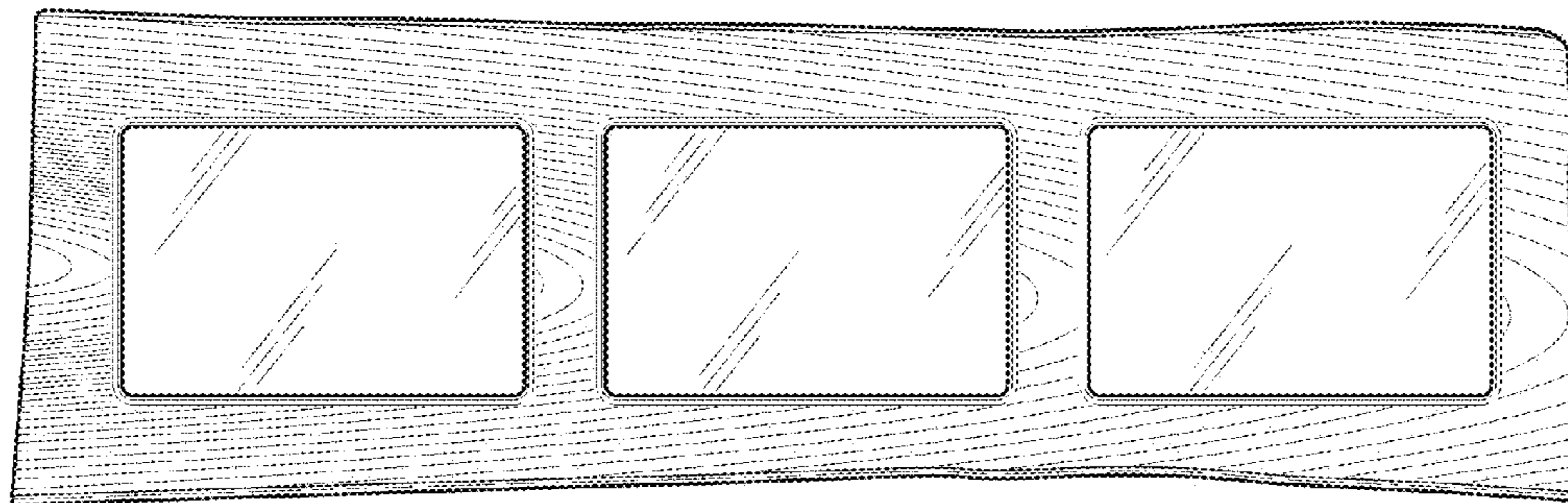


FIG. 2

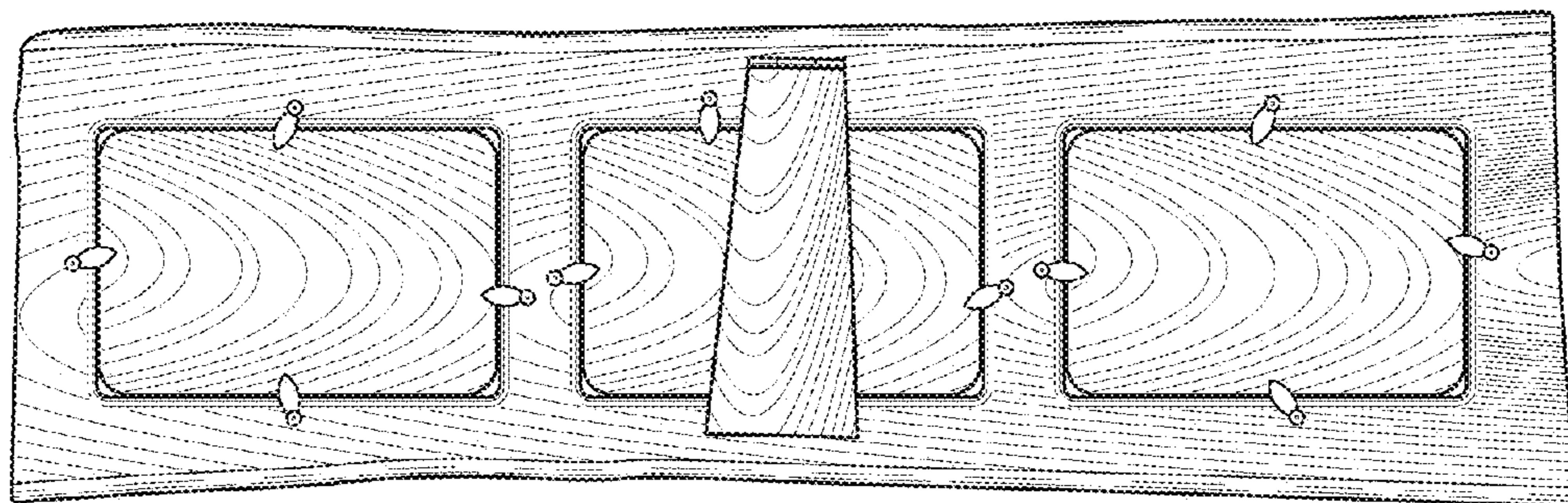


FIG. 3

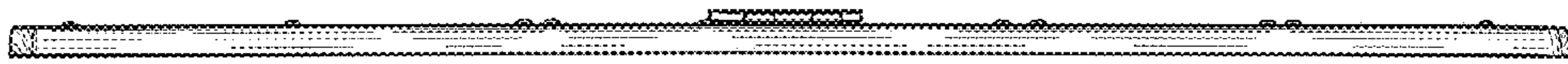


FIG. 4



FIG. 5

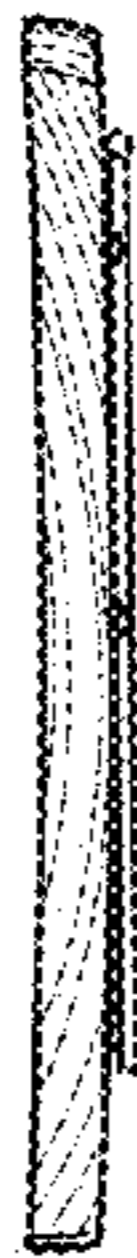


FIG. 6



FIG. 7