

US00D686824S

(12) **United States Design Patent**
Nash

(10) **Patent No.:** **US D686,824 S**
(45) **Date of Patent:** **** *Jul. 30, 2013**

- (54) **OPEN-ENDED CONTAINER**
- (75) Inventor: **Jaime W. Nash**, Lake Tapps, WA (US)
- (73) Assignee: **Wilmar Corporation**, Renton, WA (US)
- (*) Notice: This patent is subject to a terminal disclaimer.
- (**) Term: **14 Years**
- (21) Appl. No.: **29/417,229**
- (22) Filed: **Mar. 30, 2012**

4,372,444 A 2/1983 Le Grand et al.
 D276,775 S 12/1984 Antti et al.
 D293,289 S 12/1987 Edwards et al.

(Continued)

OTHER PUBLICATIONS

U.S. Appl. No. 29/400,158, filed Aug. 24, 2011, Nash, Jaime W.

(Continued)

Primary Examiner — Kelley Donnelly

(74) *Attorney, Agent, or Firm* — Condo Roccia LLP

(57) **CLAIM**

The ornamental design for an open-ended container, as shown and described.

DESCRIPTION

This application is also related to U.S. patent application Ser. No. 29/400,158, filed on Aug. 24, 2011 and entitled "Open-Ended Container," to U.S. patent application Ser. No. 29/400,177, filed on Aug. 24, 2011 and entitled "Open-Ended Container System," to U.S. patent application Ser. No. 29/417,221, filed on Mar. 30, 2012 and entitled "Open-Ended Container," to U.S. patent application Ser. No. 29/422,033, filed on May 15, 2012 and entitled "Open-Ended Container," and to U.S. patent application Ser. No. 29/422,034, filed on May 15, 2012 and entitled "Open-Ended Container System." FIG. 1 is a front perspective view of an open-ended container embodying my new design; FIG. 2 is a top view of the open-ended container of FIG. 1; FIG. 3 is a front view of the open-ended container of FIG. 1; FIG. 4 is a side view of the open-ended container of FIG. 1; FIG. 5 is a rear view of the open-ended container of FIG. 1; and, FIG. 6 is a bottom view of the open-ended container of FIG. 1.

The broken lines shown herein are included for the purpose of illustrating an environment of the article and form no part of the claimed design.

1 Claim, 3 Drawing Sheets

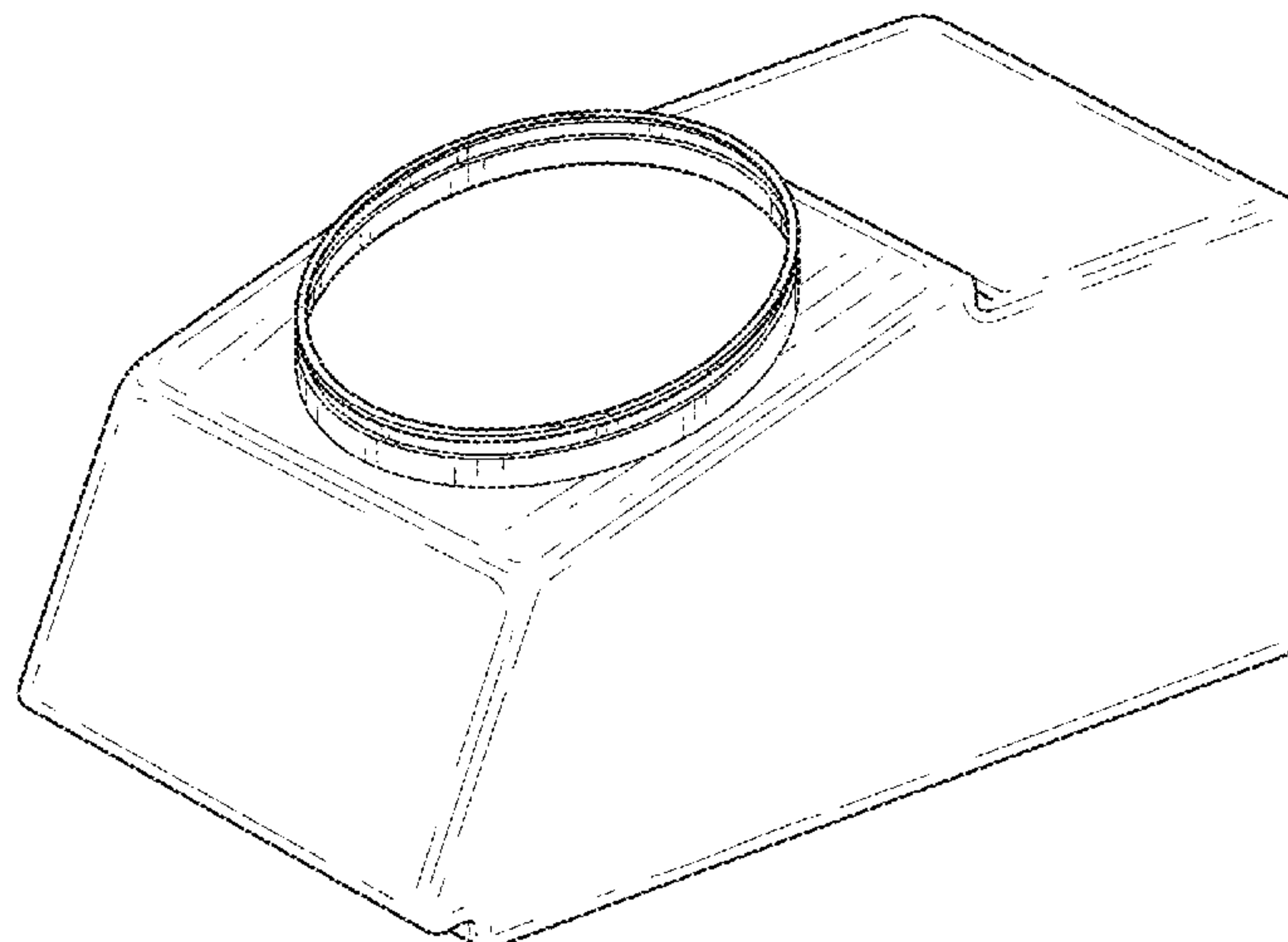
Related U.S. Application Data

- (62) Division of application No. 29/400,169, filed on Aug. 24, 2011.
- (51) **LOC (9) Cl.** **03-01**
- (52) **U.S. Cl.**
USPC **D3/304**
- (58) **Field of Classification Search**
USPC D3/304, 310, 315; D6/449, 470-473, D6/509-510; D7/601-602, 605, 612-614, D7/701; 312/114-117; 206/503-504; D9/424-426; 220/23.2-23.6, 23.83
See application file for complete search history.

(56) **References Cited**

U.S. PATENT DOCUMENTS

- 1,862,609 A 6/1932 Shaw
- D110,477 S 7/1938 Carpenter
- D127,672 S 6/1941 Brown
- 3,113,680 A 12/1963 Frater et al.
- D200,969 S 4/1965 Wildgen
- 3,259,269 A 7/1966 John
- 3,307,709 A 3/1967 Hulterstrum
- D255,627 S 7/1980 Newsom, Jr. et al.



US D686,824 S

Page 2

U.S. PATENT DOCUMENTS

D293,407 S 12/1987 Edwards et al.
4,718,578 A 1/1988 Radek et al.
4,744,487 A 5/1988 Welborn
D311,799 S * 10/1990 Embree et al. D3/294
D313,150 S 12/1990 Hestehave et al.
4,993,583 A 2/1991 Chasen
5,092,474 A 3/1992 Leigner
D327,971 S * 7/1992 Cugley D3/304
5,271,515 A 12/1993 Berkheimer et al.
D343,093 S 1/1994 Sabin et al.
D343,766 S * 2/1994 Bastidos D7/614
D347,554 S 6/1994 Wingate et al.
D365,229 S 12/1995 Story et al.
D370,834 S 6/1996 Hartman
5,531,517 A 7/1996 Alpen
5,678,701 A 10/1997 Anderson
D406,988 S 3/1999 Tisdale
6,062,388 A 5/2000 Ohayon
D429,882 S 8/2000 Lee et al.
D429,967 S 8/2000 Barfield
D432,869 S 10/2000 Saunders
D462,012 S 8/2002 Manderfield, Jr.
D464,887 S 10/2002 Sherwell
D500,640 S 1/2005 Lawson et al.
D502,869 S 3/2005 Clarke
D509,438 S 9/2005 Woerz
D530,128 S 10/2006 Doran
D533,330 S 12/2006 Beaulieu
D538,539 S * 3/2007 Richardson et al. D3/314
D540,174 S 4/2007 Lux
7,216,779 B2 5/2007 Kasting et al.

D547,973 S 8/2007 Brown et al.
D576,883 S 9/2008 Carapelli
D598,033 S 8/2009 Liu et al.
D606,314 S * 12/2009 Neilsen D3/313
D621,619 S * 8/2010 Ripoll D3/304
D623,954 S 9/2010 Hawry et al.
7,789,238 B2 9/2010 Claypool et al.
D630,852 S * 1/2011 Kobilarcik et al. D3/307
D633,473 S 3/2011 Takeshi Yeung
D633,717 S 3/2011 Searcy
D634,635 S 3/2011 Araujo et al.
D635,031 S 3/2011 Themann
D635,770 S 4/2011 Kobilarcik et al.
D639,562 S * 6/2011 Cadwell D3/307
8,025,176 B2 9/2011 Little et al.
D652,722 S 1/2012 Robertson et al.
D657,105 S * 4/2012 Martheenal D34/1
8,215,485 B2 7/2012 Maroofian et al.
2005/0082307 A1 4/2005 Tucker
2005/0181159 A1 8/2005 Dunlap et al.
2006/0021984 A1 2/2006 Nottingham et al.
2007/0187420 A1 8/2007 Gruskin et al.
2009/0178989 A1 7/2009 Accuardi

OTHER PUBLICATIONS

U.S. Appl. No. 29/400,169, filed Aug. 24, 2011, Nash, Jaime W.
U.S. Appl. No. 29/400,177, filed Aug. 24, 2011, Nash, Jaime W.
U.S. Appl. No. 29/417,221, filed Mar. 30, 2012, Nash, Jaime W.
U.S. Appl. No. 29/422,034, filed May 15, 2012, Nash, Jaime W.
U.S. Appl. No. 29/422,033, filed May 15, 2012, Nash, Jaime W.

* cited by examiner

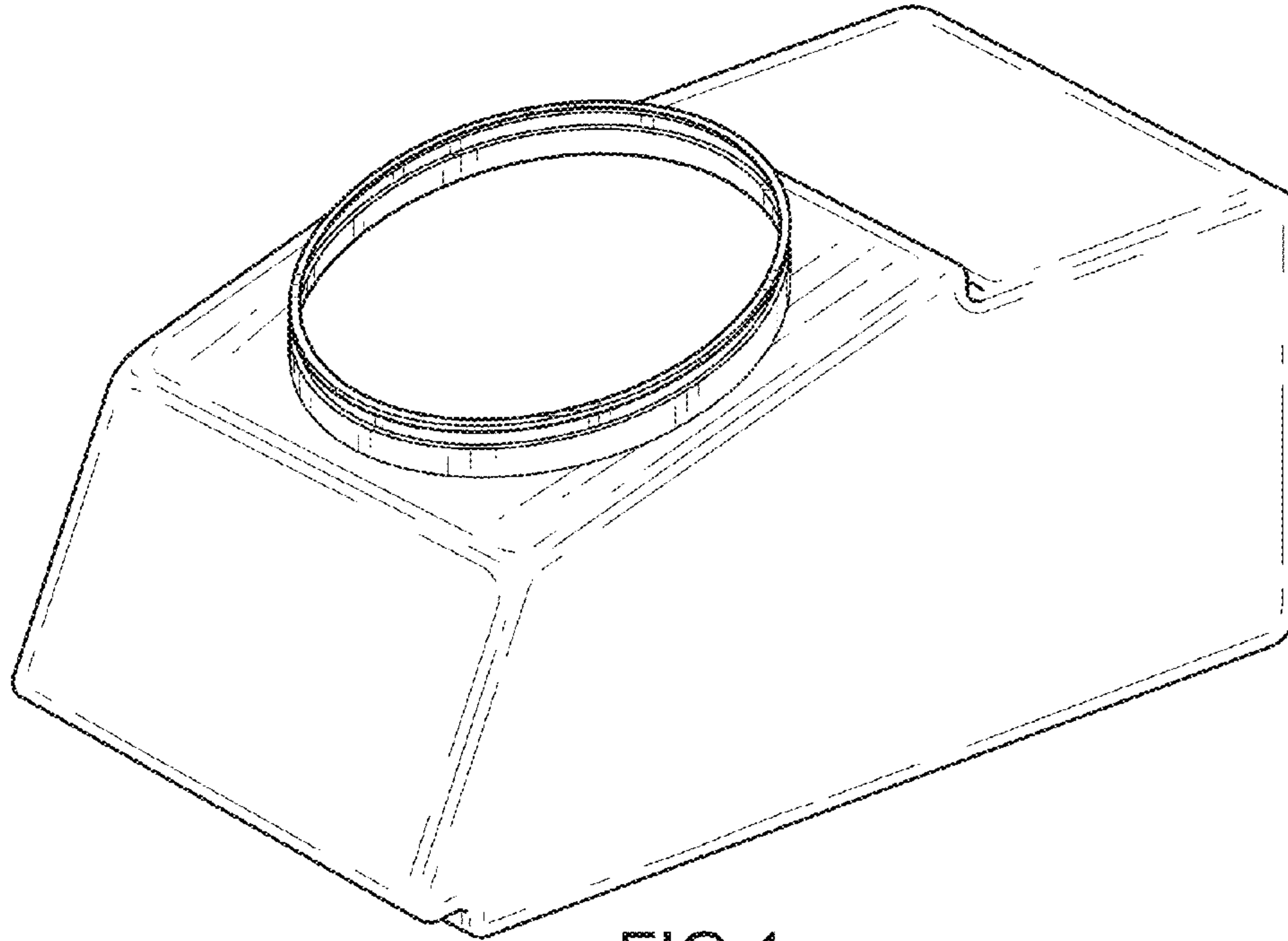
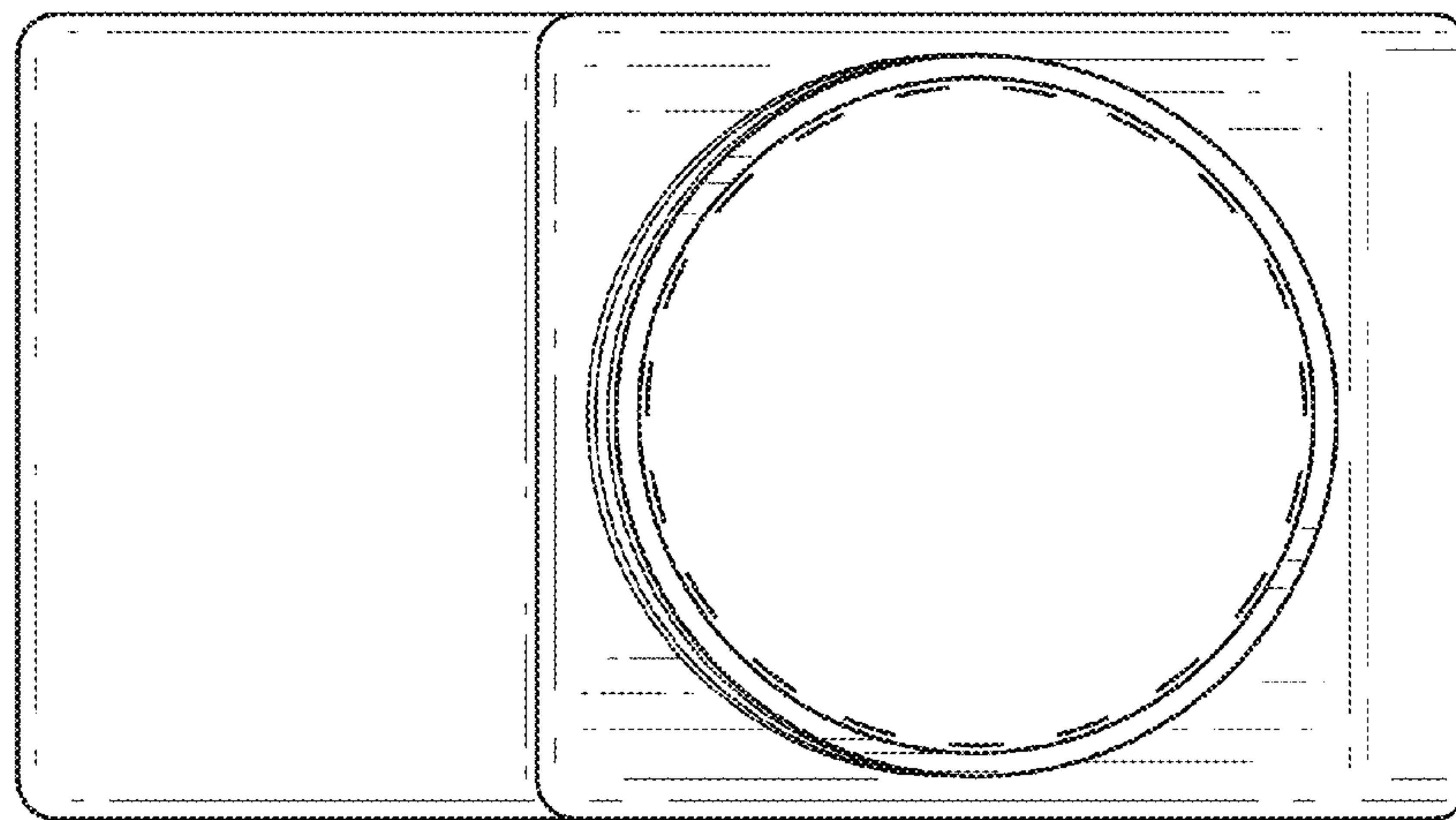


FIG. 1



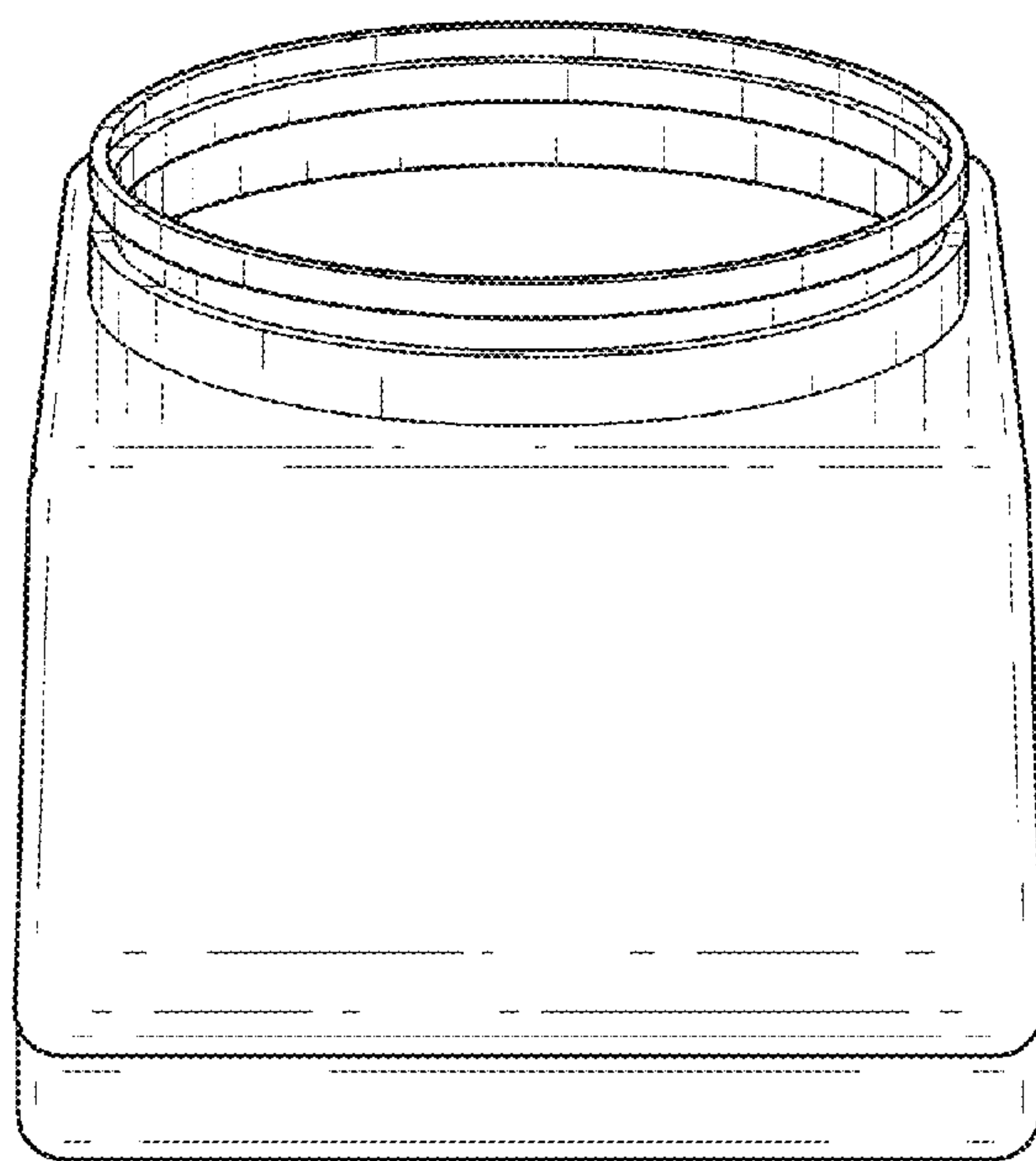


FIG. 3

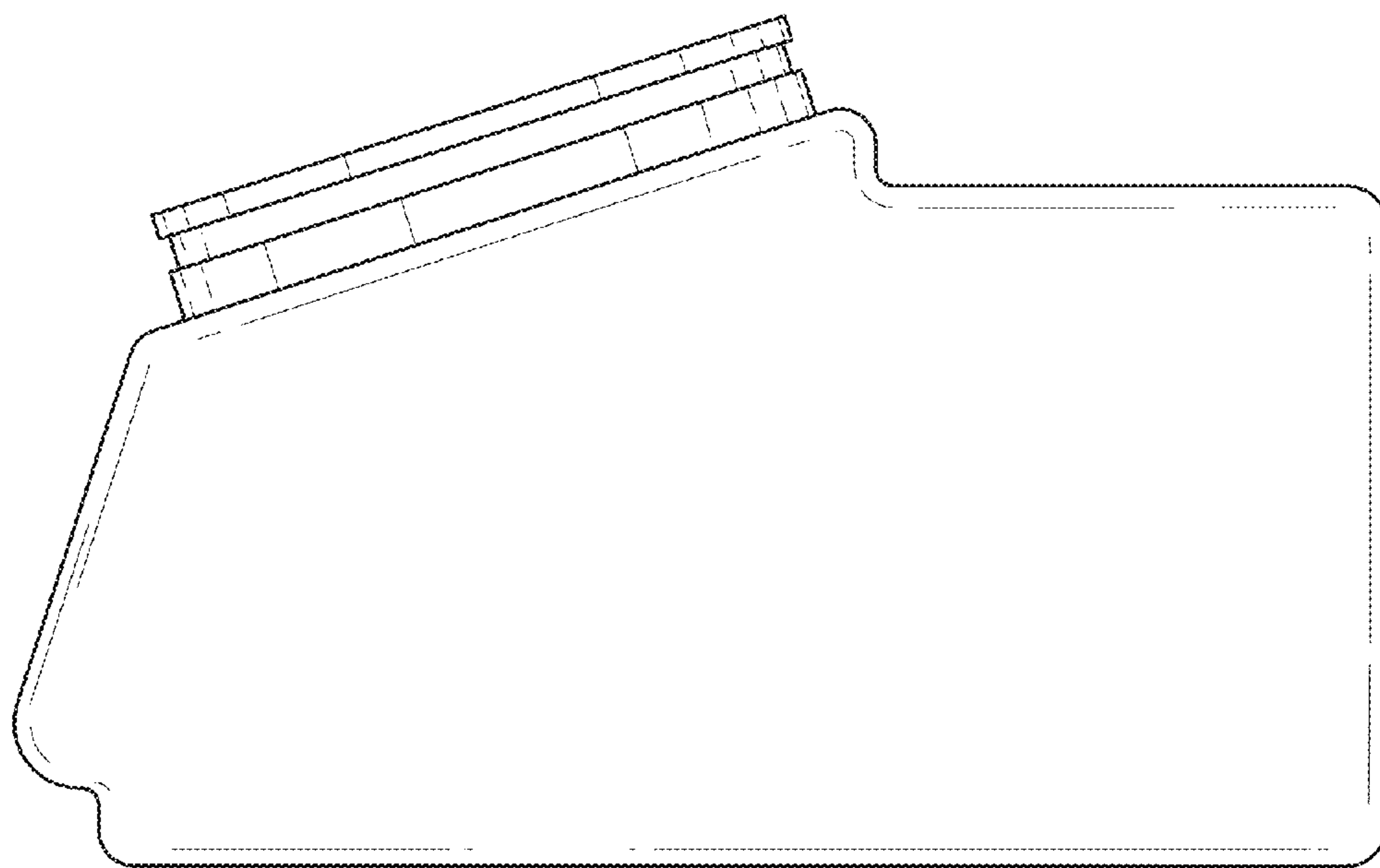


FIG. 4

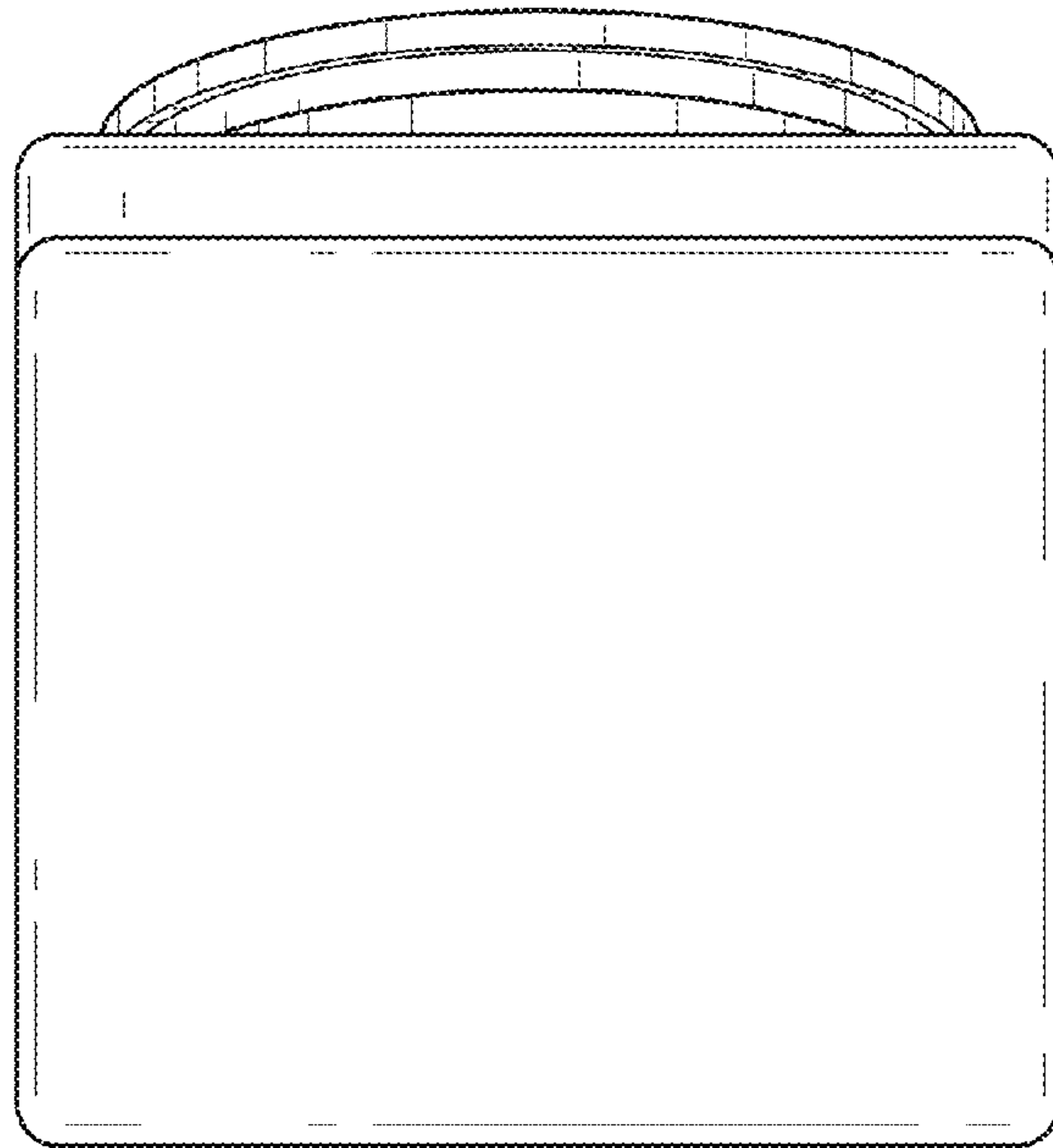


FIG. 5

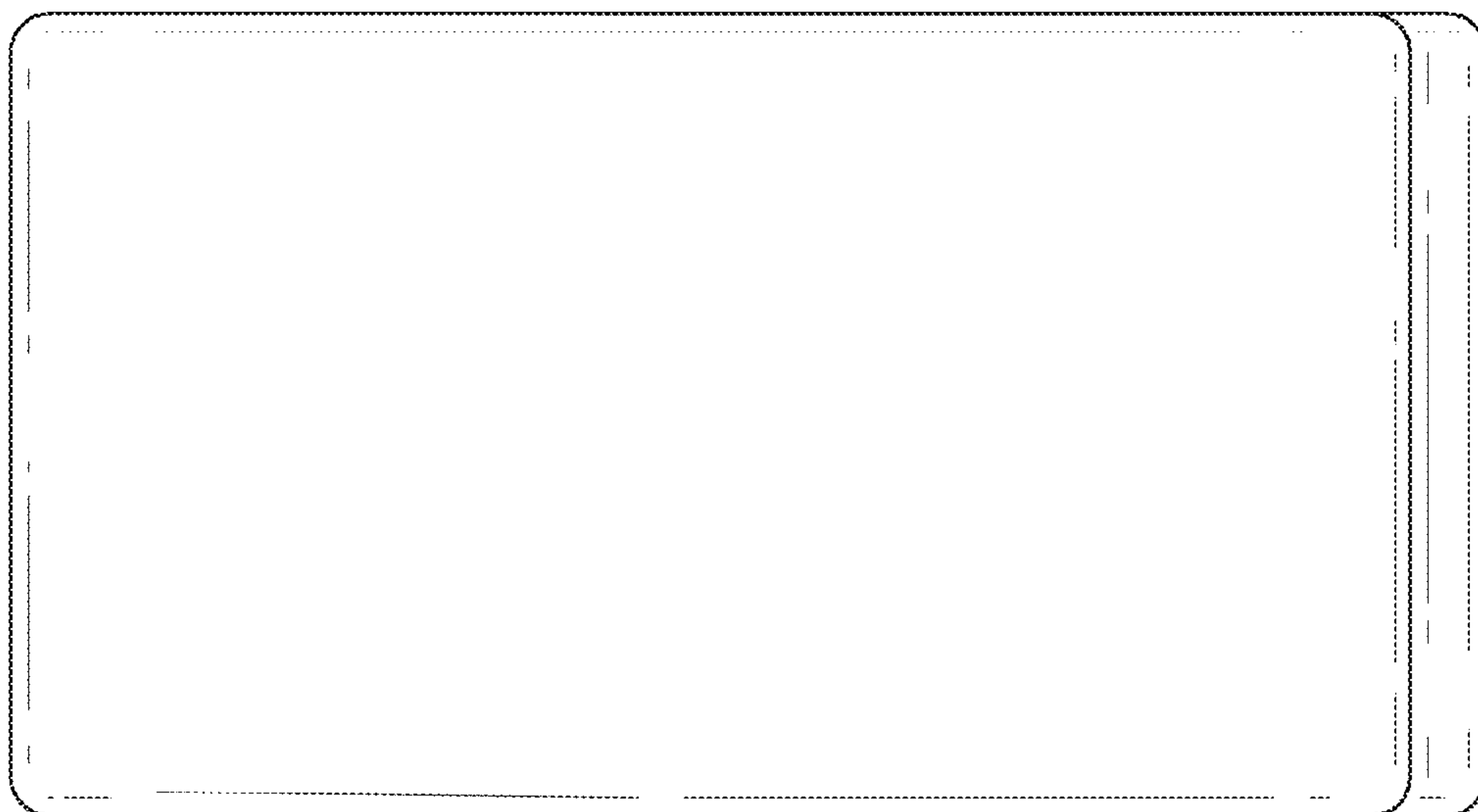


FIG. 6