



US00D686821S

(12) **United States Design Patent**
Salvaille

(10) **Patent No.:** **US D686,821 S**
(45) **Date of Patent:** **** Jul. 30, 2013**

(54) **WRAPPABLE WALLET**

(76) Inventor: **Annik Salvaille**, Henderson, NV (US)

(**) Term: **14 Years**

(21) Appl. No.: **29/415,162**

(22) Filed: **Mar. 8, 2012**

(51) **LOC (9) Cl.** **03-01**

(52) **U.S. Cl.**
USPC **D3/247**

(58) **Field of Classification Search**
USPC D3/247, 249-253; 150/130, 132,
150/136-137
See application file for complete search history.

(56) **References Cited**

U.S. PATENT DOCUMENTS

D343,518 S *	1/1994	Saggese, Jr.	D3/215
D358,705 S *	5/1995	Saggese, Jr.	D3/226
D442,365 S *	5/2001	Law	D3/252
D487,844 S *	3/2004	Nichols	D3/215
D605,508 S *	12/2009	Chen	D9/434

* cited by examiner

Primary Examiner — Holly Baynham

(74) *Attorney, Agent, or Firm* — Gold & Rizvi, P.A.; H. John Rizvi

(57) **CLAIM**

I claim the ornamental design for a wrappable wallet, as shown and described.

DESCRIPTION

FIG. 1 is a perspective view of a wrappable wallet showing our new design in use;
FIG. 2 is a top view thereof with straps folded inward;
FIG. 3 is a top view thereof with straps folded outward;
FIG. 4 is a bottom view thereof with the straps folded outward;
FIG. 5 is an upper side elevational view thereof;
FIG. 6 is a lower side elevational view thereof;
FIG. 7 is a right side elevational view thereof; and,
FIG. 8 is a left side elevational view thereof.

1 Claim, 4 Drawing Sheets

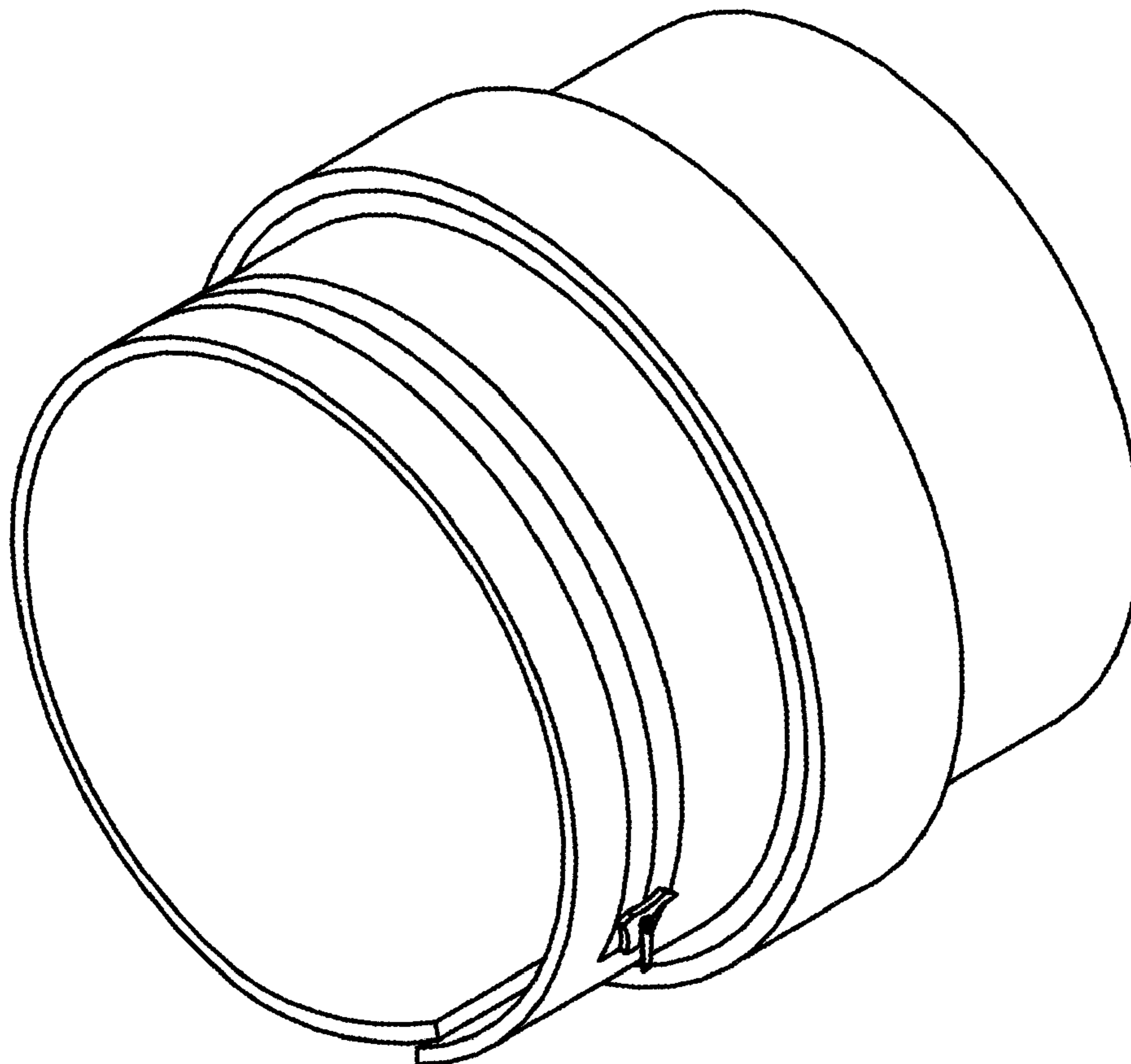


FIG. 1

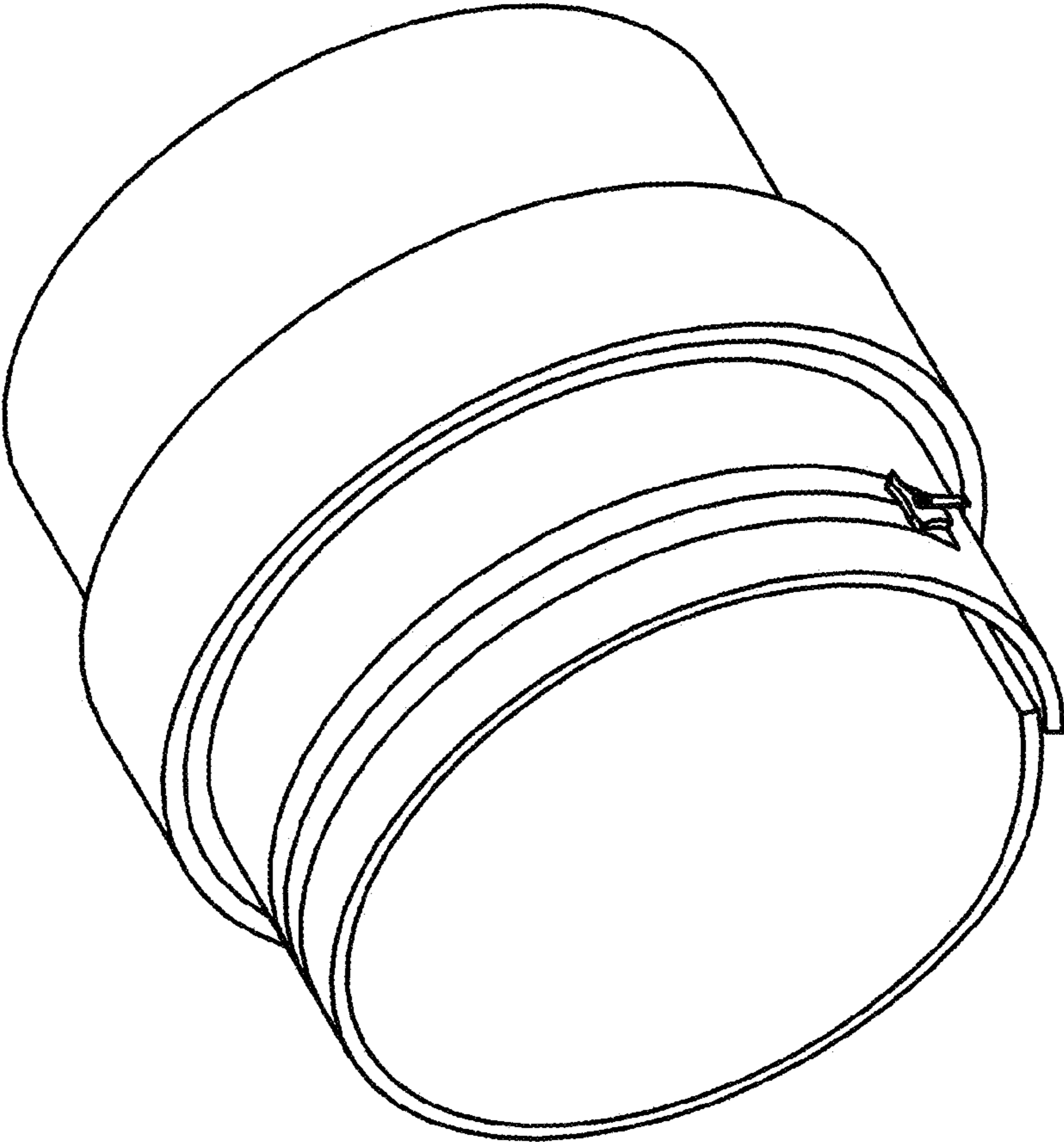


FIG. 2

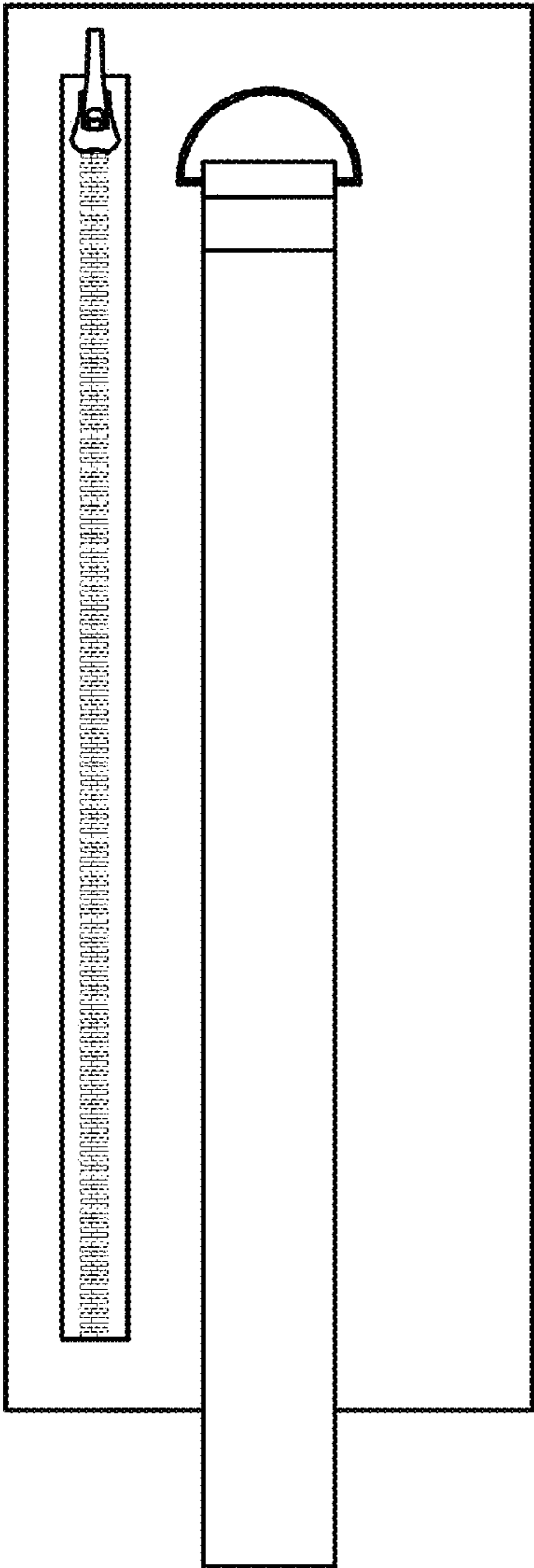


FIG. 3

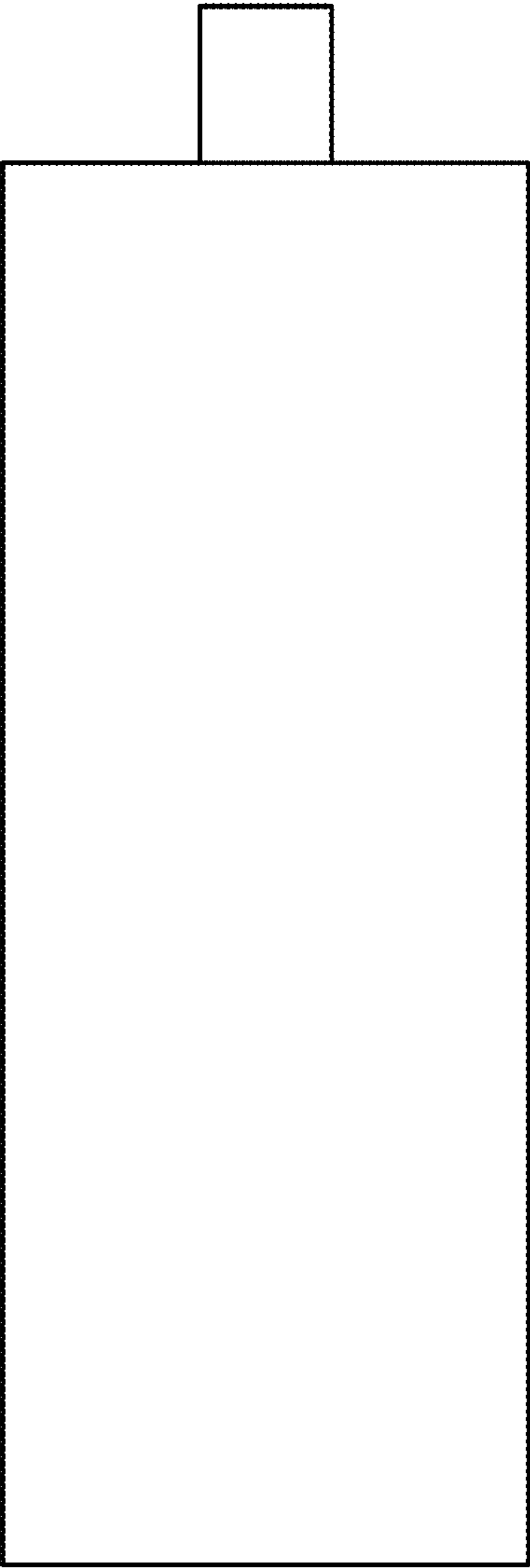


FIG. 4

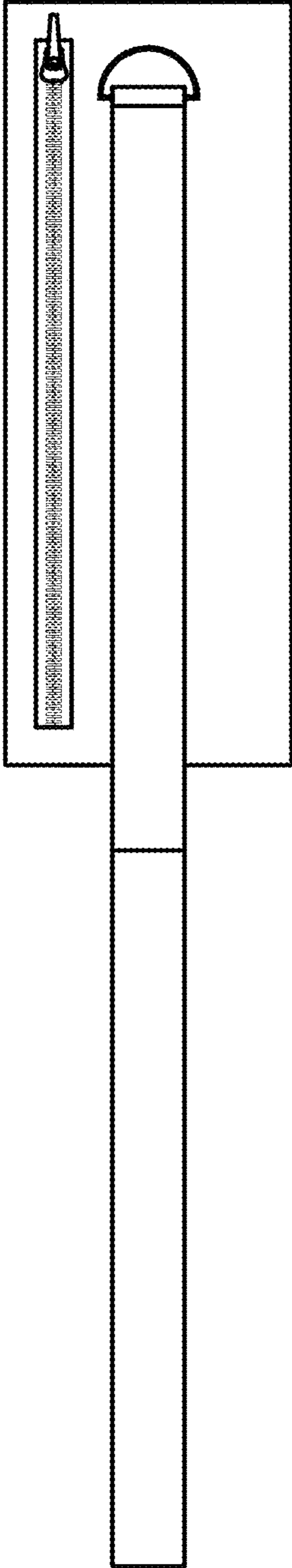


FIG. 5

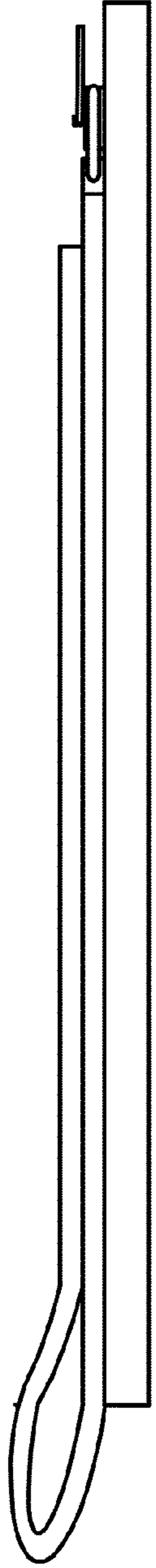


FIG. 6

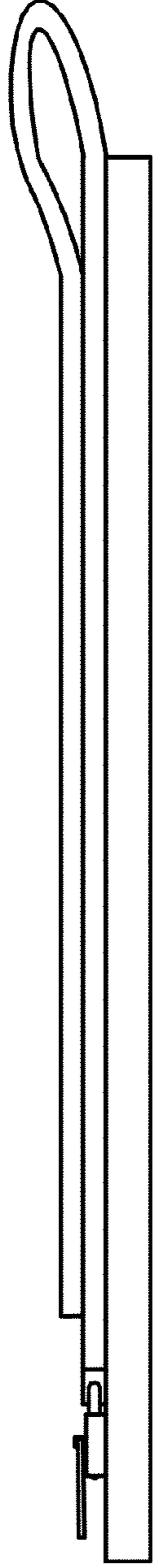


FIG. 7

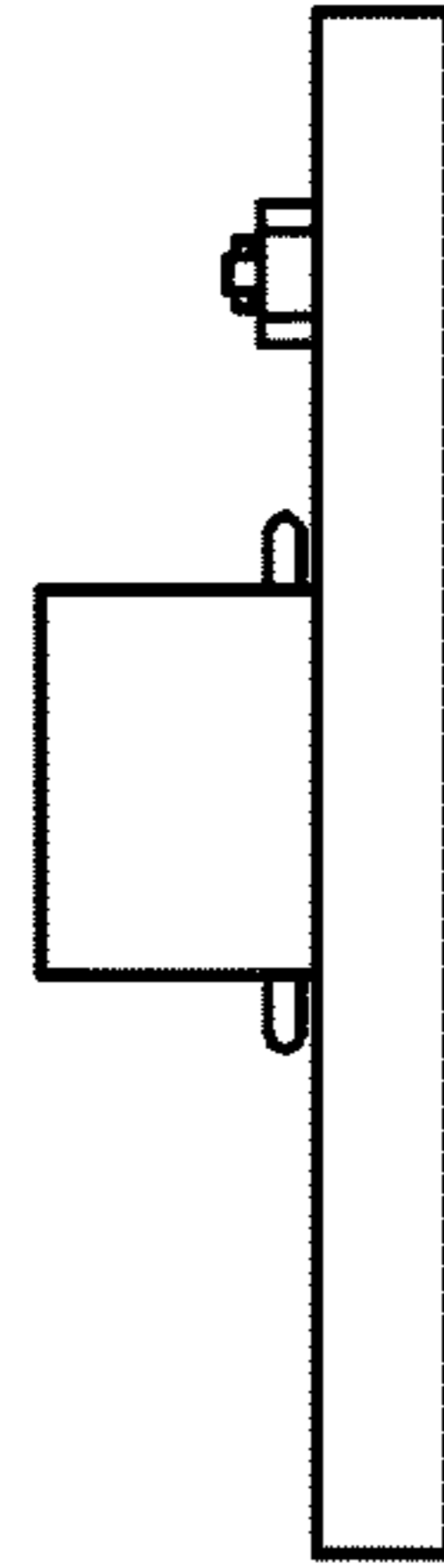


FIG. 8

