



US00D686817S

(12) **United States Design Patent**  
**Dennis**

(10) **Patent No.:** **US D686,817 S**  
(45) **Date of Patent:** **\*\* Jul. 30, 2013**

(54) **PENCIL/PEN BOX**

(76) Inventor: **Pamela McDonald Dennis**, Goose Creek, SC (US)

(\*\*) Term: **14 Years**

(21) Appl. No.: **29/395,914**

(22) Filed: **Apr. 20, 2012**

(51) **LOC (9) Cl.** ..... **03-02**

(52) **U.S. Cl.**  
USPC ..... **D3/206; D6/632**

(58) **Field of Classification Search**  
USPC ..... D3/201, 203, 205, 217, 233, 267,  
D3/283, 219, 228, 230, 273, 290, 299; 206/823,  
206/576; D19/81, 85; 224/236, 240, 901,  
224/904, 914; 150/134, 143; D28/73  
See application file for complete search history.

(56) **References Cited**

U.S. PATENT DOCUMENTS

D411,767 S \* 7/1999 Keller ..... D3/273  
D450,973 S \* 11/2001 Bieda ..... D6/632  
D475,853 S \* 6/2003 Chen ..... D3/294

D508,813 S \* 8/2005 Sankey et al. .... D6/632  
D562,049 S \* 2/2008 Abolfazlian ..... D6/632  
D619,352 S \* 7/2010 Antler ..... D3/205

\* cited by examiner

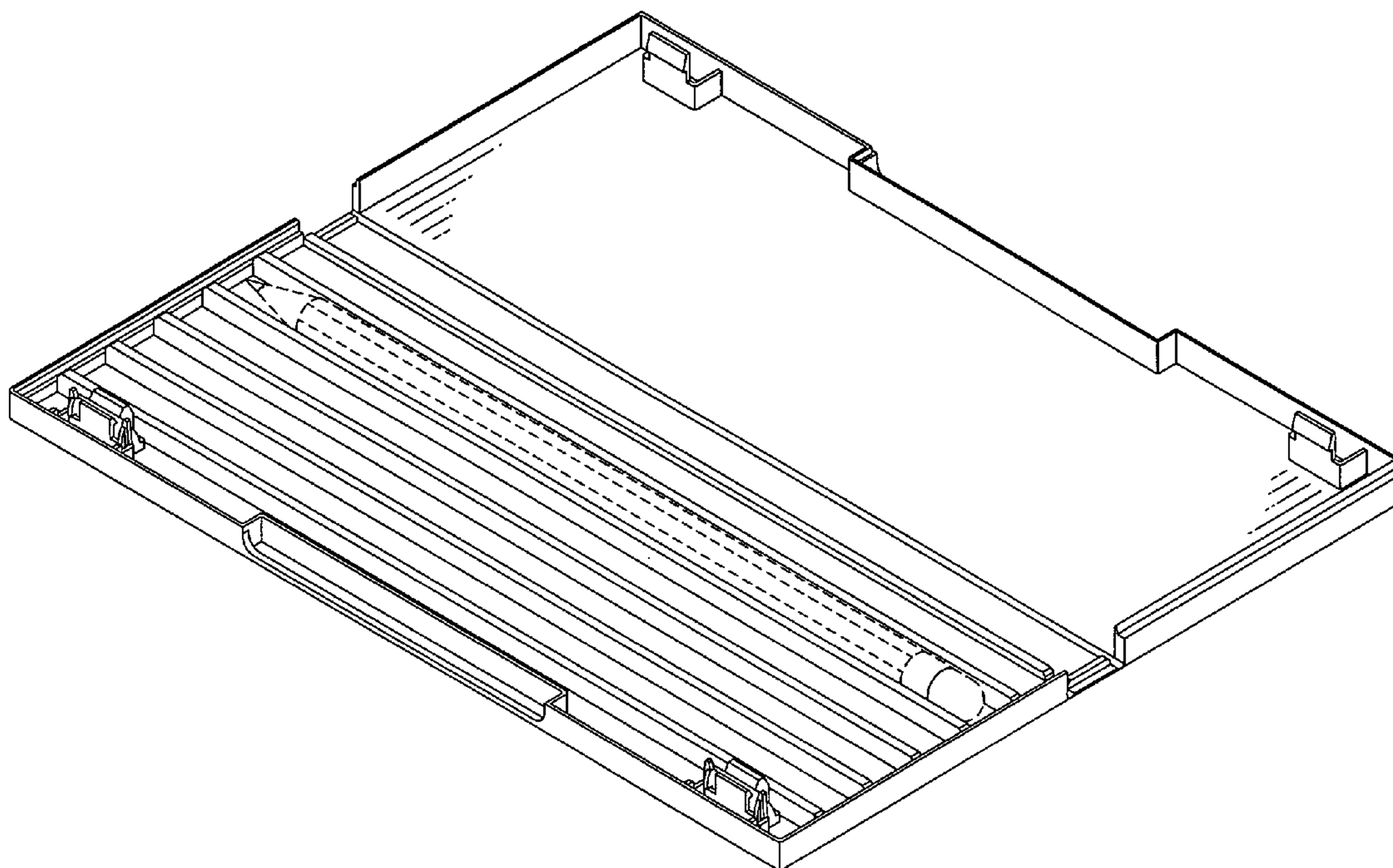
*Primary Examiner* — Ian Simmons  
*Assistant Examiner* — Charles Hanson

(57) **CLAIM**  
The ornamental design for a pencil/pen box, as shown and described.

**DESCRIPTION**

FIG. 1 is a perspective view of a pencil/pen box, showing my new design in condition of use in an open position;  
FIG. 2 is a perspective view thereof, shown in a closed position;  
FIG. 3 is a top plan view thereof, shown in an open position;  
FIG. 4 is a bottom plan view thereof;  
FIG. 5 is a right side elevational view thereof;  
FIG. 6 is a left side elevational view thereof;  
FIG. 7 is a front end elevational view thereof, shown in a closed position; and,  
FIG. 8 is a rear end elevational view thereof.  
The broken line showing of a pencil in FIG. 1 illustrates environmental structure only and forms no part of the claimed design.

**1 Claim, 5 Drawing Sheets**



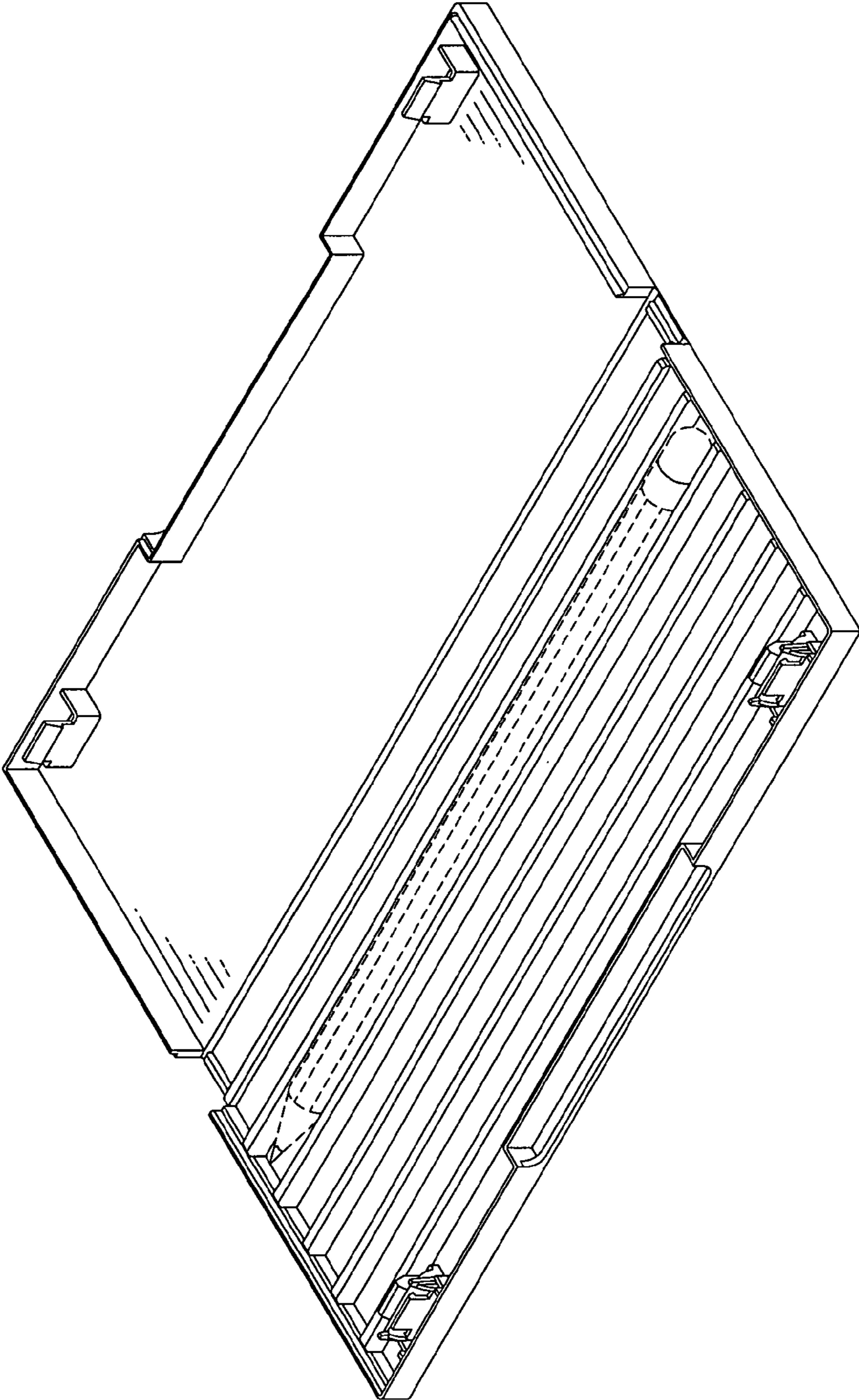


Fig. 1

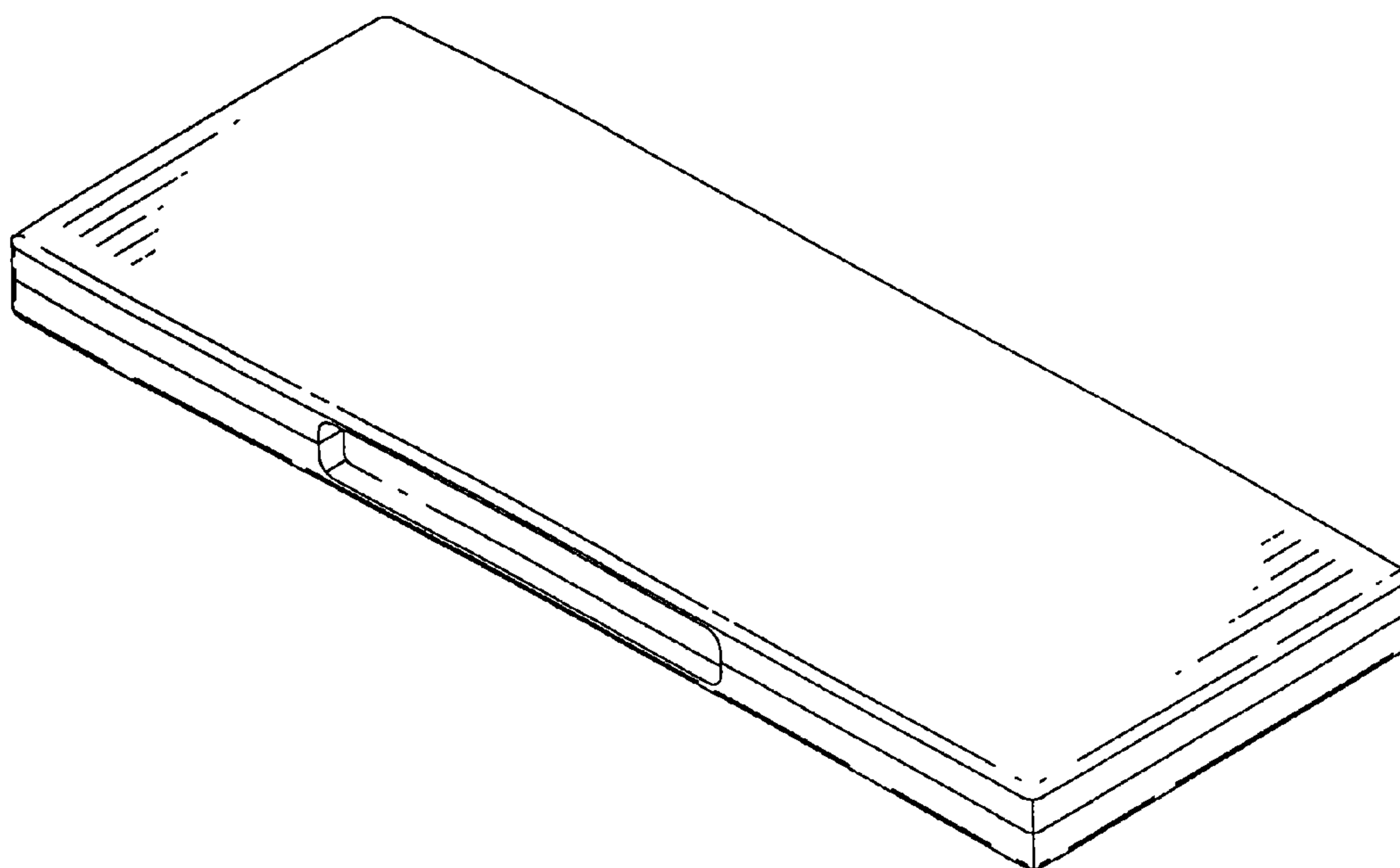


Fig. 2

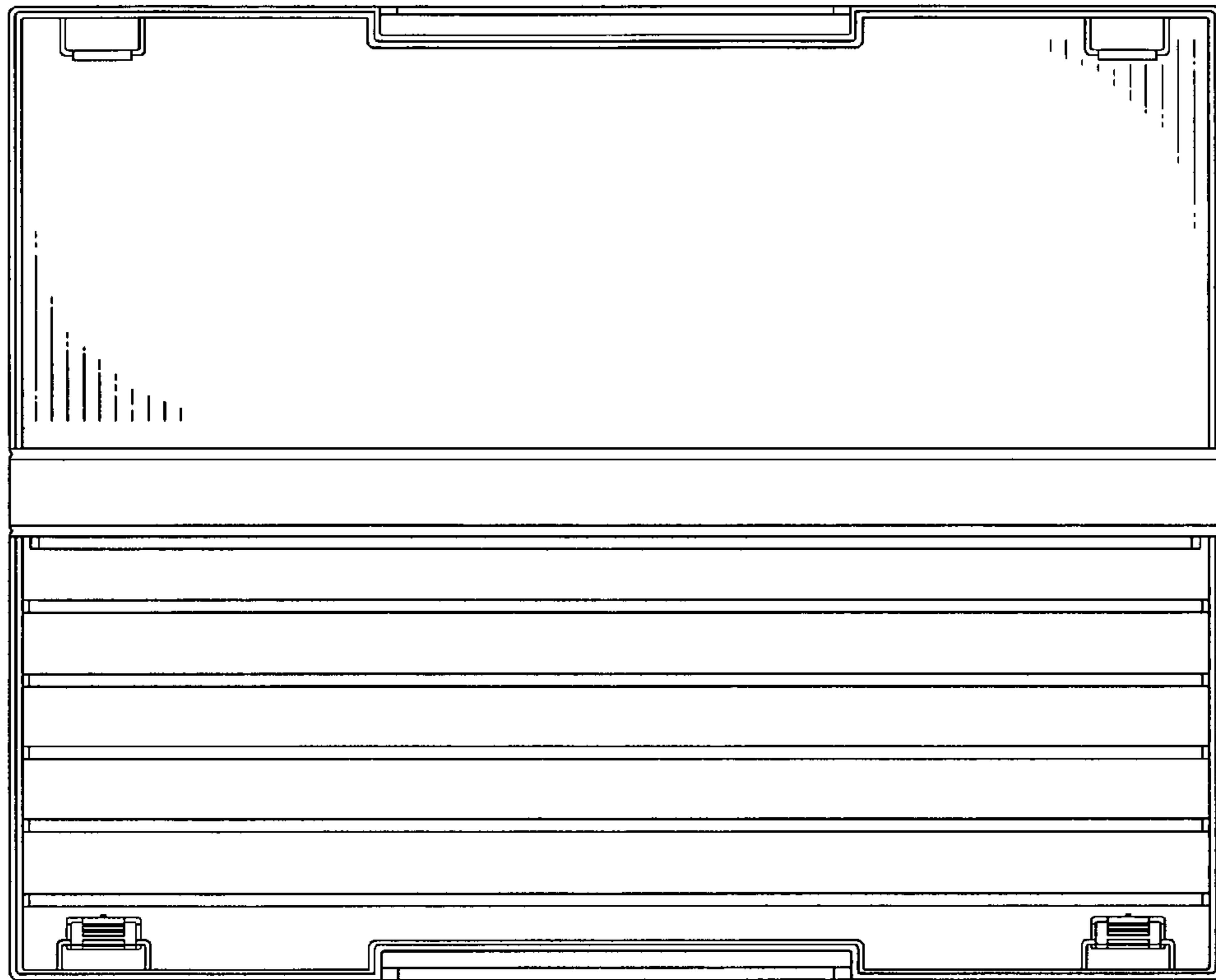


Fig. 3

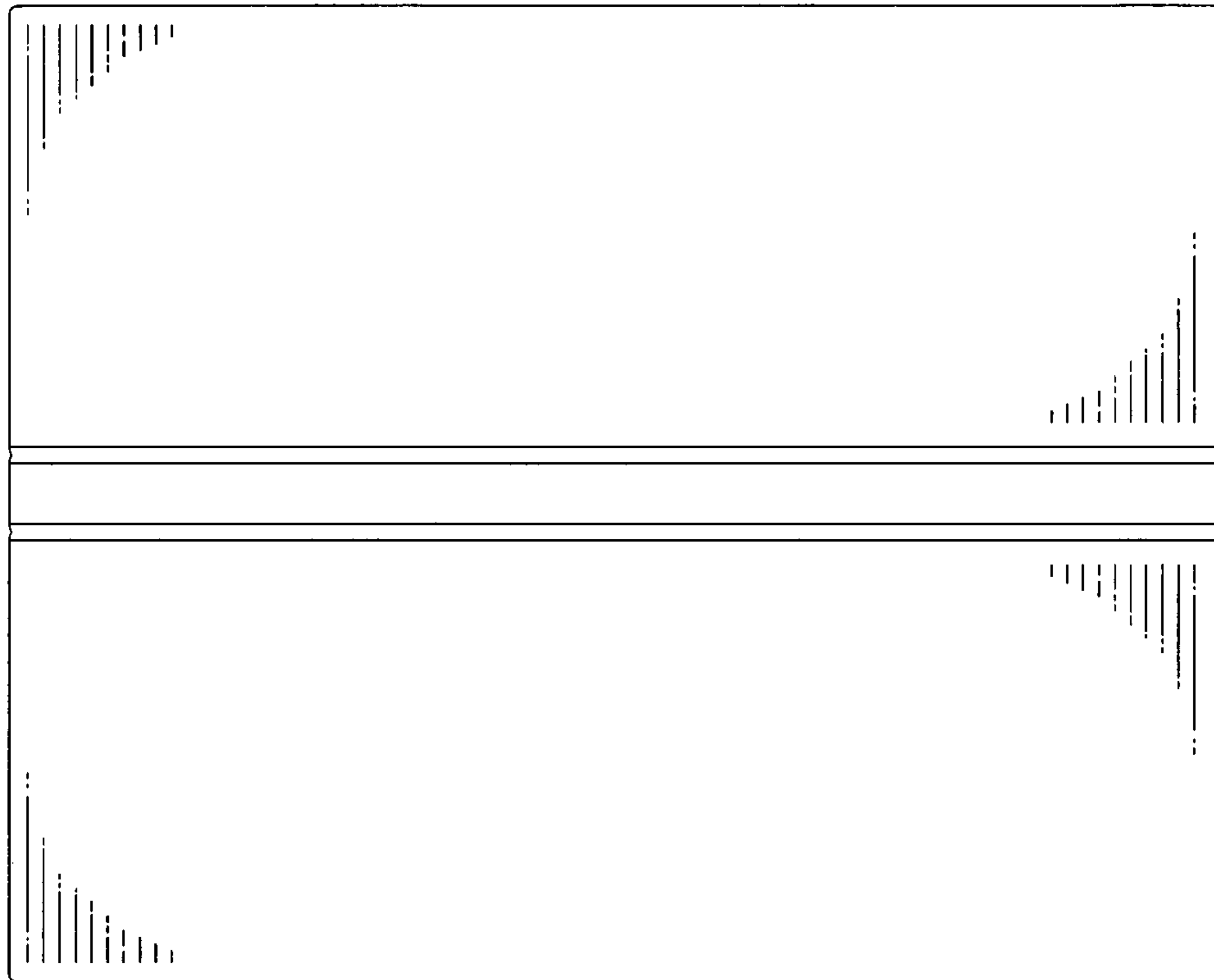


Fig. 4

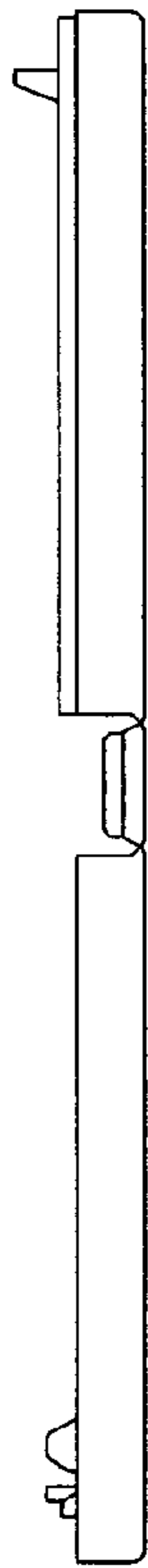


Fig. 5

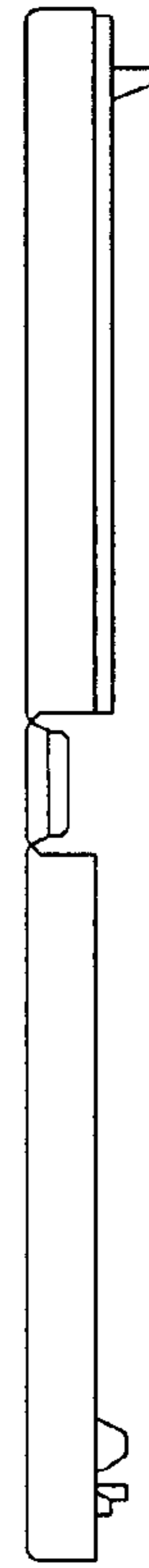


Fig. 6

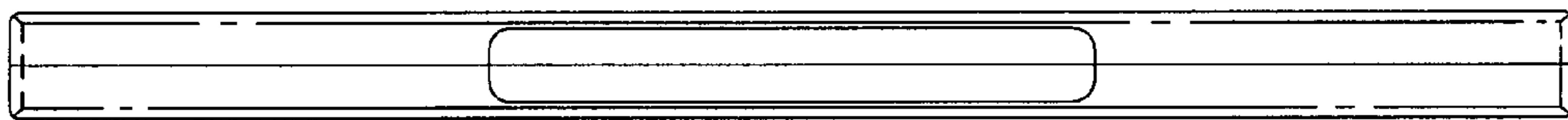


Fig. 7

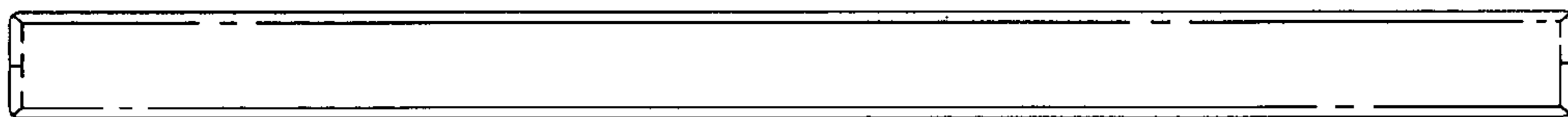


Fig. 8