



US00D686814S

(12) **United States Design Patent**  
**Lam**

(10) **Patent No.:** **US D686,814 S**

(45) **Date of Patent:** **\*\* Jul. 30, 2013**

(54) **BOOT UPPER**

D410,326 S \* 6/1999 Duclos ..... D2/970  
D516,284 S \* 3/2006 Andrews-Kramer ..... D2/970  
D556,995 S \* 12/2007 Weisbly ..... D2/970

(71) Applicant: **Hugo Lam**, Waterloo (CA)

\* cited by examiner

(72) Inventor: **Hugo Lam**, Waterloo (CA)

*Primary Examiner* — Robert M Spear

*Assistant Examiner* — Rashida C McCoy

(73) Assignee: **Kodiak Group Holdings Co.**,  
Cambridge, ON (CA)

(74) *Attorney, Agent, or Firm* — Daryl W. Schnurr

(\*\*) Term: **14 Years**

(57) **CLAIM**

(21) Appl. No.: **29/441,048**

The ornamental design for a boot upper, as shown and described.

(22) Filed: **Dec. 31, 2012**

**DESCRIPTION**

(51) **LOC (9) Cl.** ..... **02-04**

(52) **U.S. Cl.**

USPC ..... **D2/970**; D2/912

(58) **Field of Classification Search**

USPC ..... D2/896, 900, 909–911, 920, 943,  
D2/946, 969, 970, 974; 36/83, 1.5, 2 R, 109,  
36/3 A, 7.1 R, 45, 52, 112–114

See application file for complete search history.

FIG. 1 is a perspective view of a boot upper;

FIG. 2 is a side, lateral view;

FIG. 3 is a side medial view;

FIG. 4 is a front view;

FIG. 5 is a rear view; and,

FIG. 6 is a top view.

The dashed lines in FIGS. 1-6 illustrate stitching and form a part of the claimed design.

The phantom lines in FIGS. 1-6 illustrate environment and form no part of the claimed design.

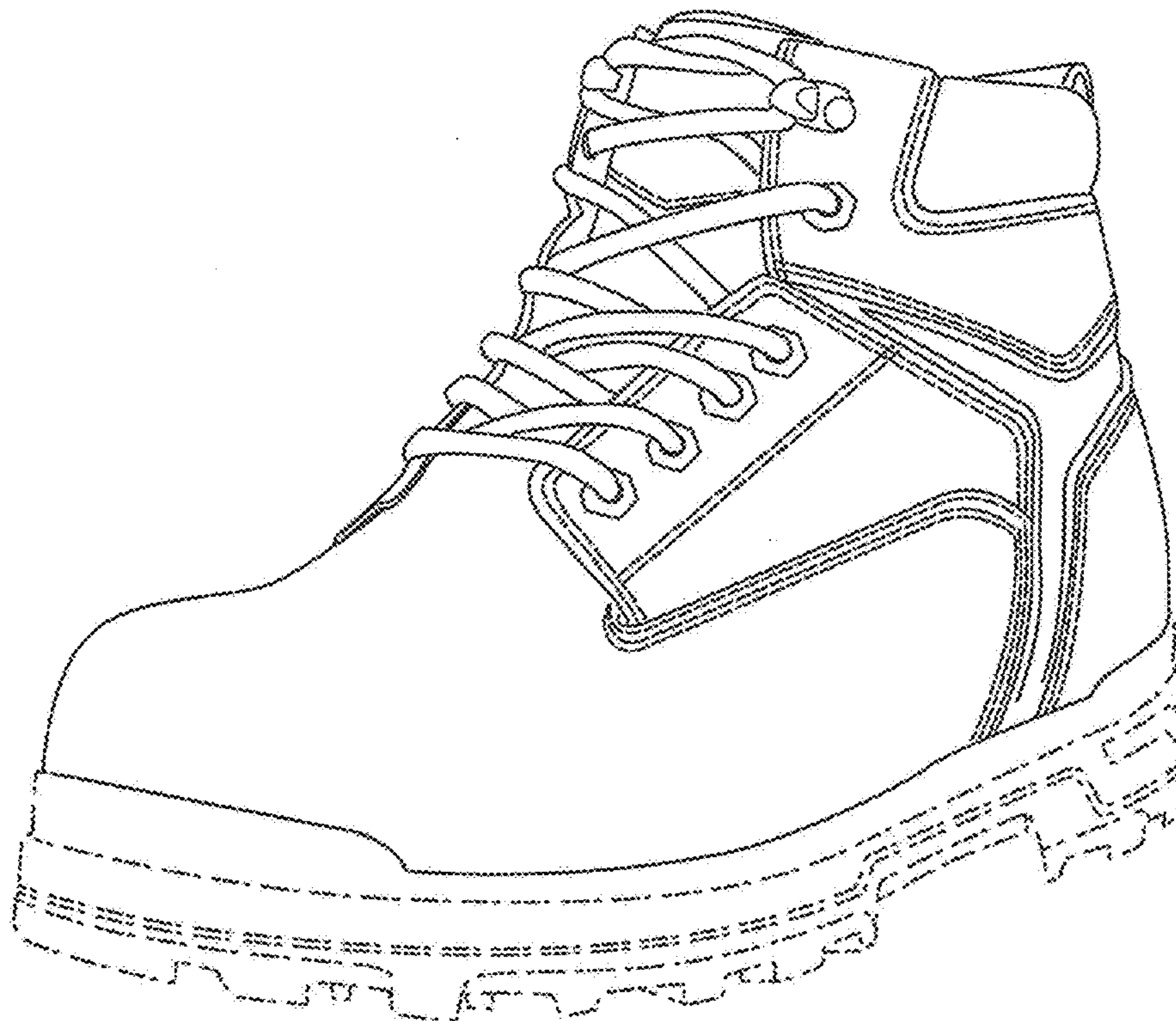
The phantom lines are on the outsole at the bottom of the boot upper.

(56) **References Cited**

U.S. PATENT DOCUMENTS

D354,165 S \* 1/1995 Werman ..... D2/970  
D382,992 S \* 9/1997 Chiu ..... D2/970  
D399,044 S \* 10/1998 Hamel ..... D2/970  
D405,238 S \* 2/1999 Hamel ..... D2/970

**1 Claim, 6 Drawing Sheets**



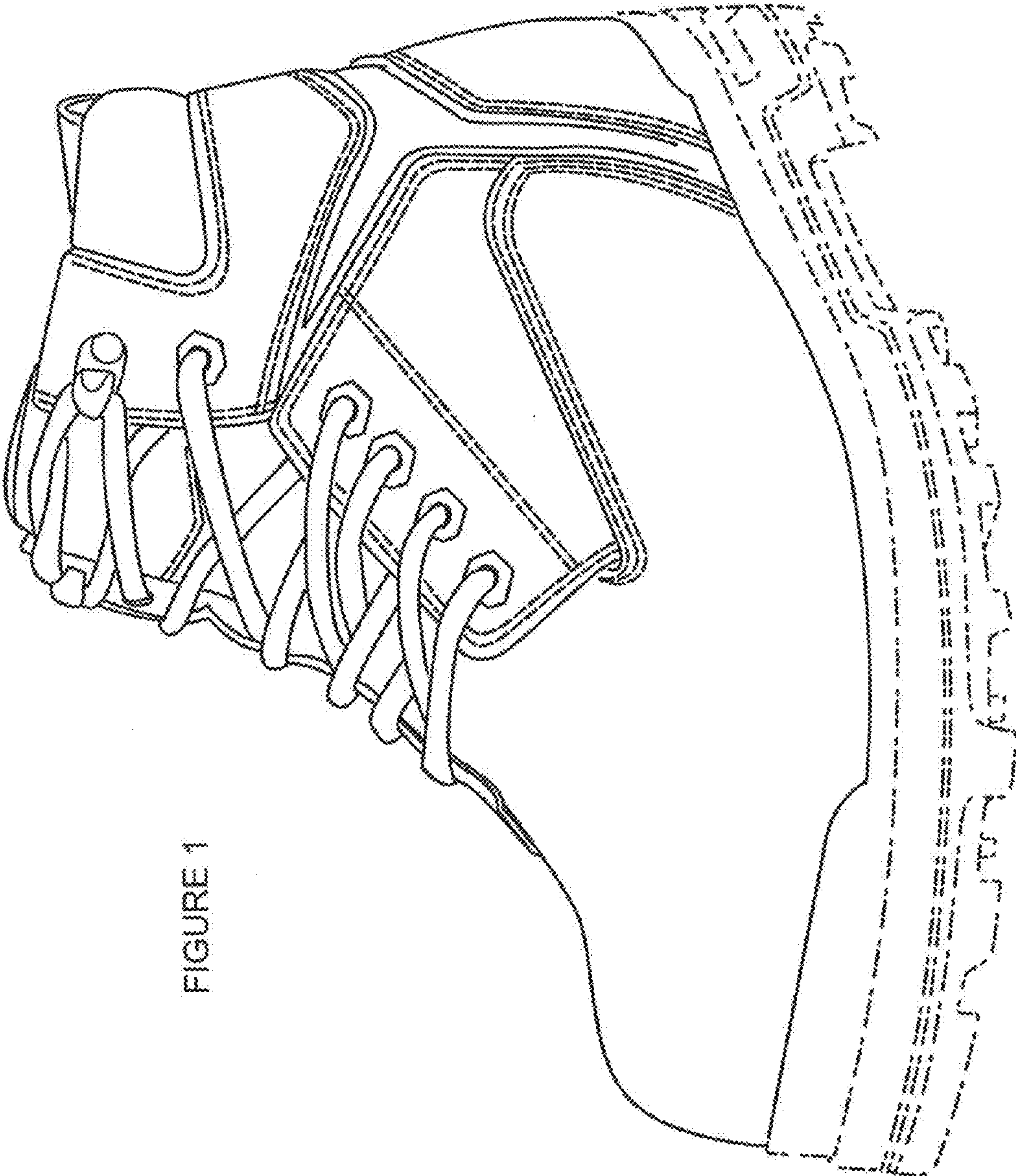
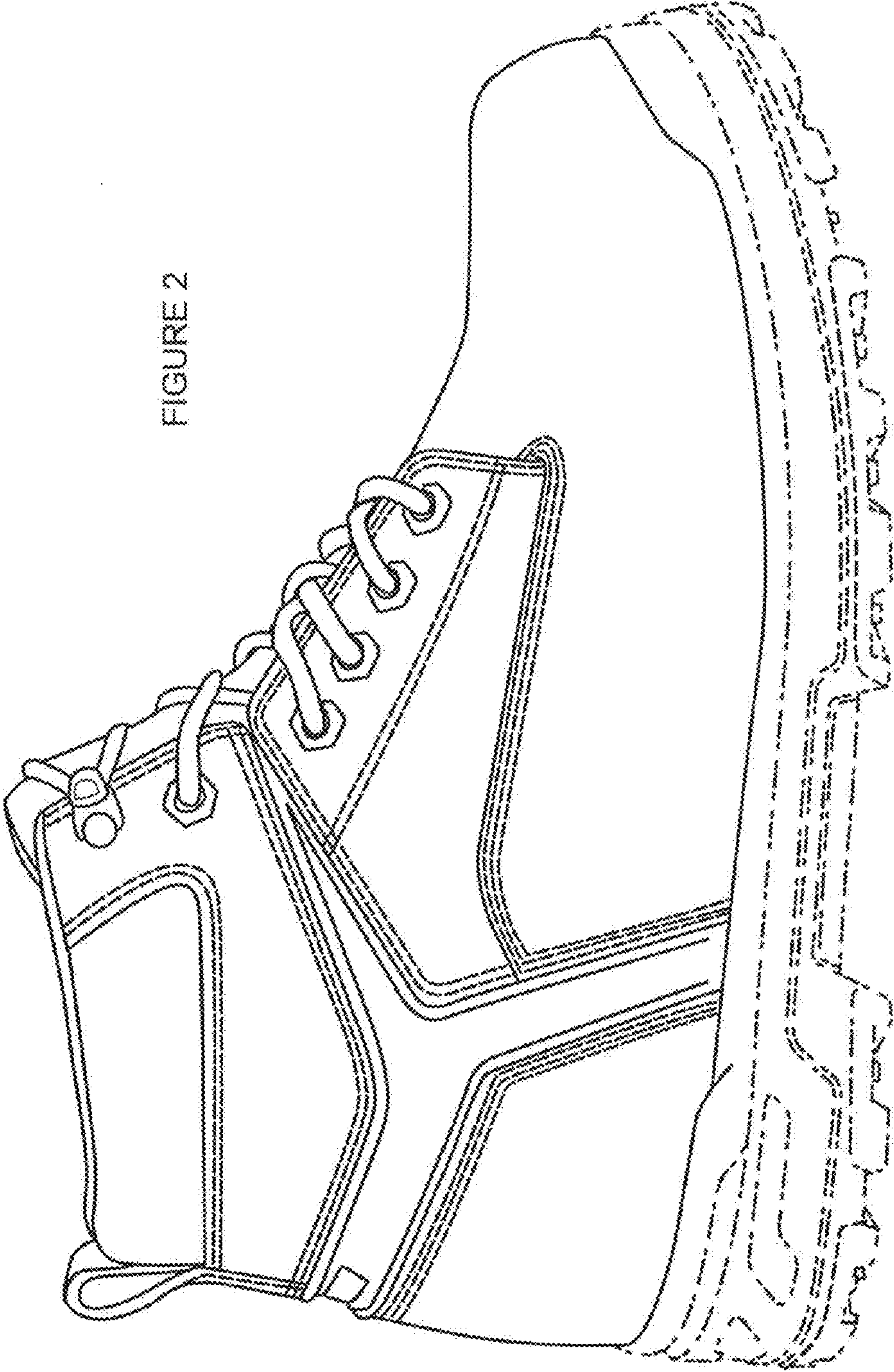


FIGURE 1



FIGURE 2



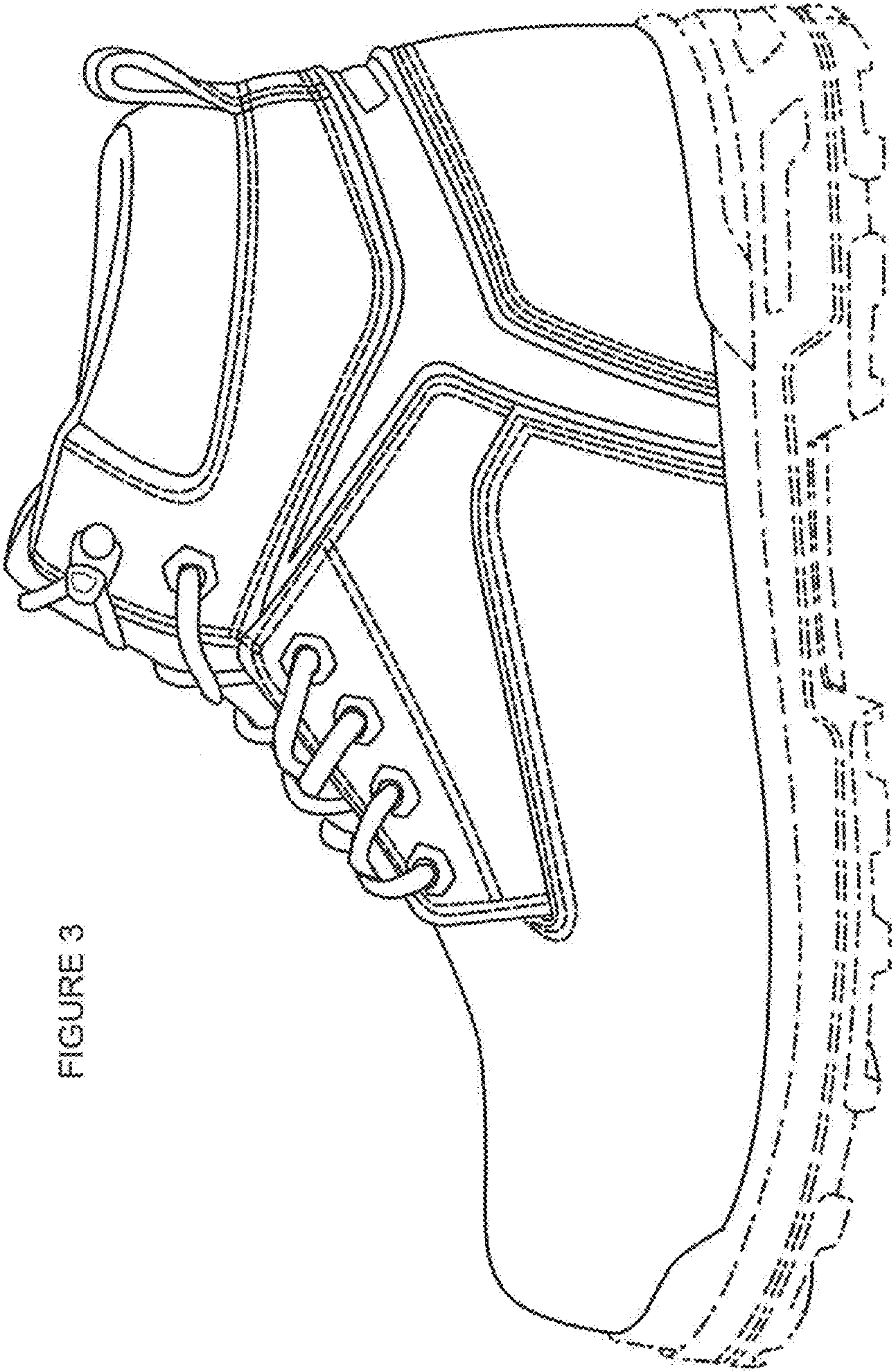


FIGURE 3

FIGURE 4

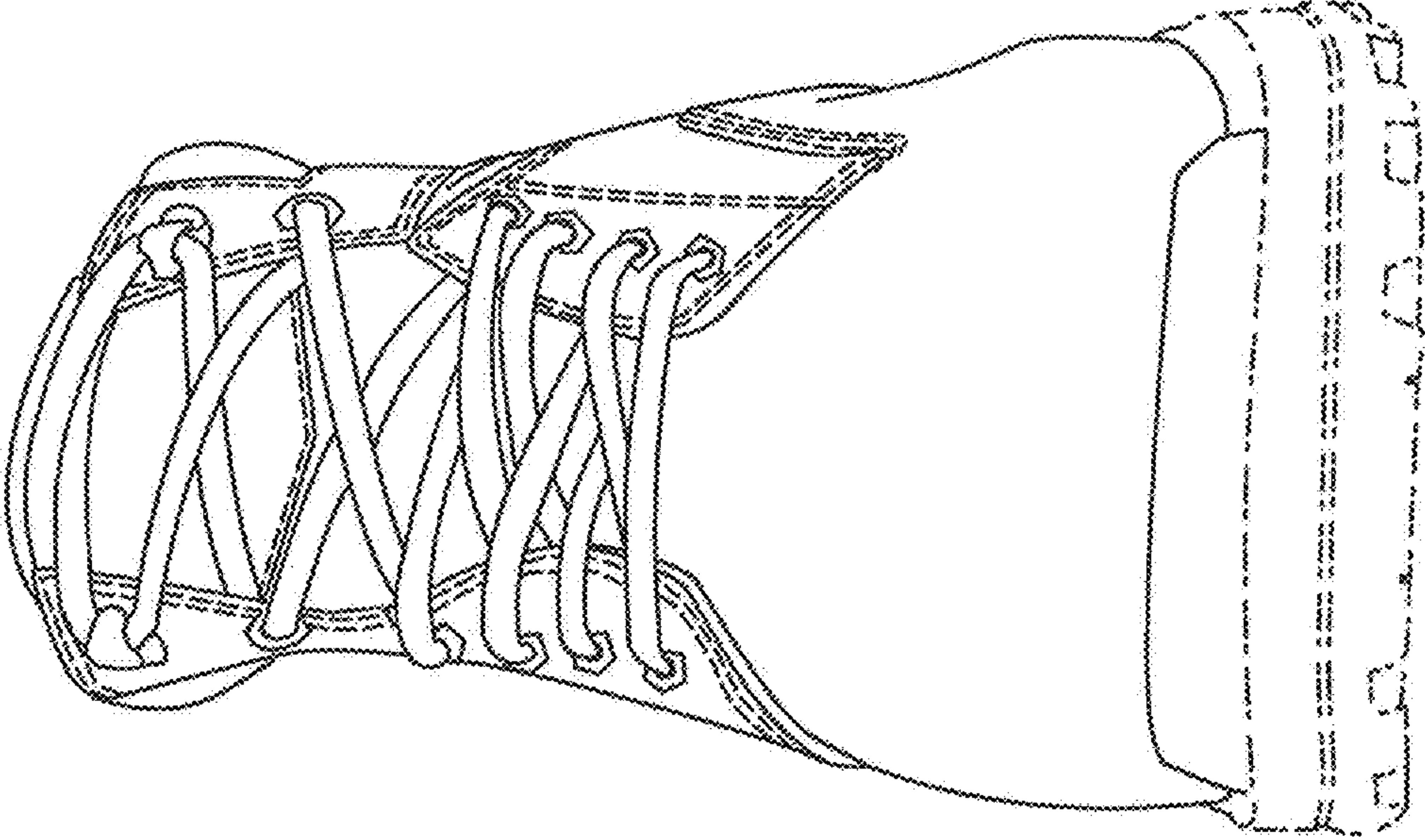




FIGURE 5

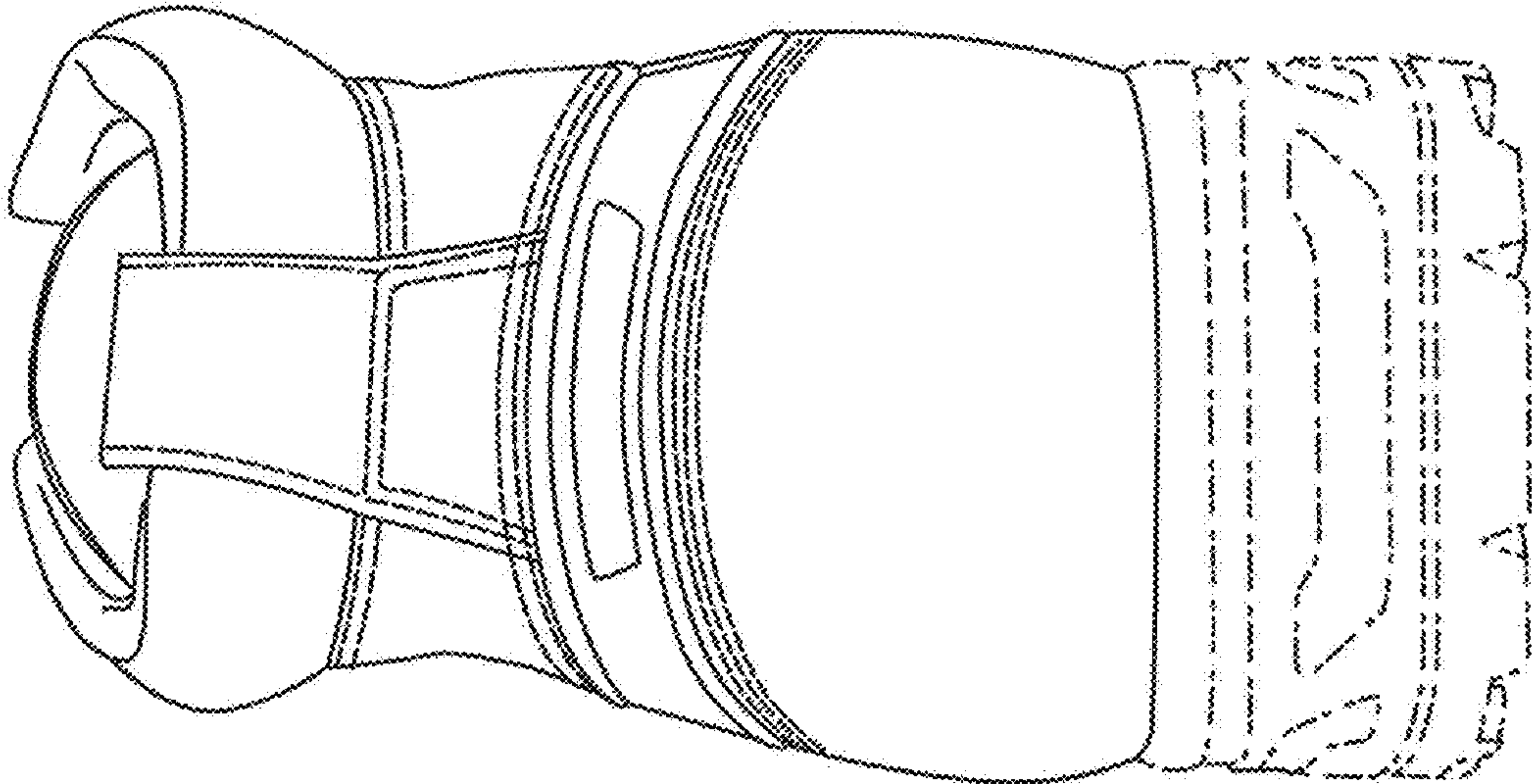


FIGURE 6

