



US00D686813S

(12) **United States Design Patent**
Lam

(10) **Patent No.:** **US D686,813 S**

(45) **Date of Patent:** **** Jul. 30, 2013**

(54) **BOOT UPPER**

(71) Applicant: **Hugo Lam**, Waterloo (CA)

(72) Inventor: **Hugo Lam**, Waterloo (CA)

(73) Assignee: **Kodiak Group Holdings Co.**,
Cambridge, On (CA)

(**) Term: **14 Years**

(21) Appl. No.: **29/441,046**

(22) Filed: **Dec. 31, 2012**

(51) **LOC (9) Cl.** **02-04**

(52) **U.S. Cl.**

USPC **D2/970; D2/912**

(58) **Field of Classification Search**

USPC D2/896, 900, 909-911, 920, 943,
D2/946, 969, 970, 974; 36/83, 1.5, 2 R, 109,
36/3 A, 7.1 R, 45, 52, 112-114

See application file for complete search history.

(56) **References Cited**

U.S. PATENT DOCUMENTS

D382,992 S * 9/1997 Chiu D2/970
D435,960 S * 1/2001 Matis et al. D2/970
D438,698 S * 3/2001 Matis et al. D2/970
D516,284 S * 3/2006 Andrews-Kramer D2/970

D517,304 S * 3/2006 Sedlbauer D2/970
D517,305 S * 3/2006 Sedlbauer D2/970
D637,383 S * 5/2011 McCourt D2/970
D637,384 S * 5/2011 Joseph D2/970
D638,619 S * 5/2011 Joseph D2/970
D658,857 S * 5/2012 Lonigan D2/970

* cited by examiner

Primary Examiner — Robert M Spear

Assistant Examiner — Rashida C McCoy

(74) *Attorney, Agent, or Firm* — Daryl W. Schnurr

(57) **CLAIM**

The ornamental design for a boot upper, as shown and described.

DESCRIPTION

FIG. 1 is a perspective view of a boot upper;

FIG. 2 is a side, lateral view;

FIG. 3 is a side medial view;

FIG. 4 is a front view;

FIG. 5 is a rear view; and,

FIG. 6 is a top view.

The dashed lines in FIGS. 1-6 illustrate stitching and form a part of the claimed design.

The phantom lines in FIGS. 1-6 illustrate environment and form no part of the claimed design. The phantom lines are on the outsole at the bottom of the boot upper.

1 Claim, 6 Drawing Sheets



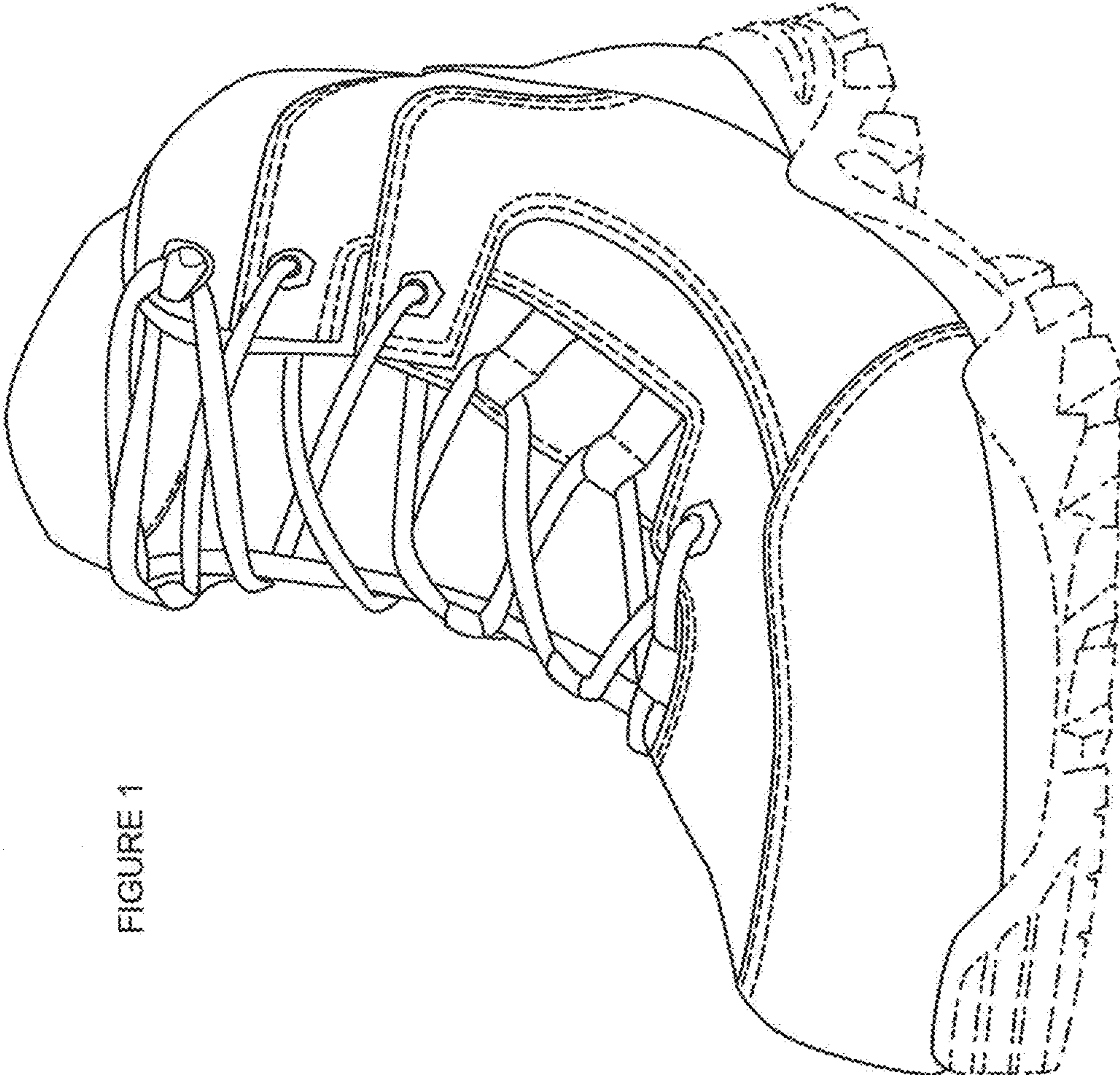


FIGURE 1

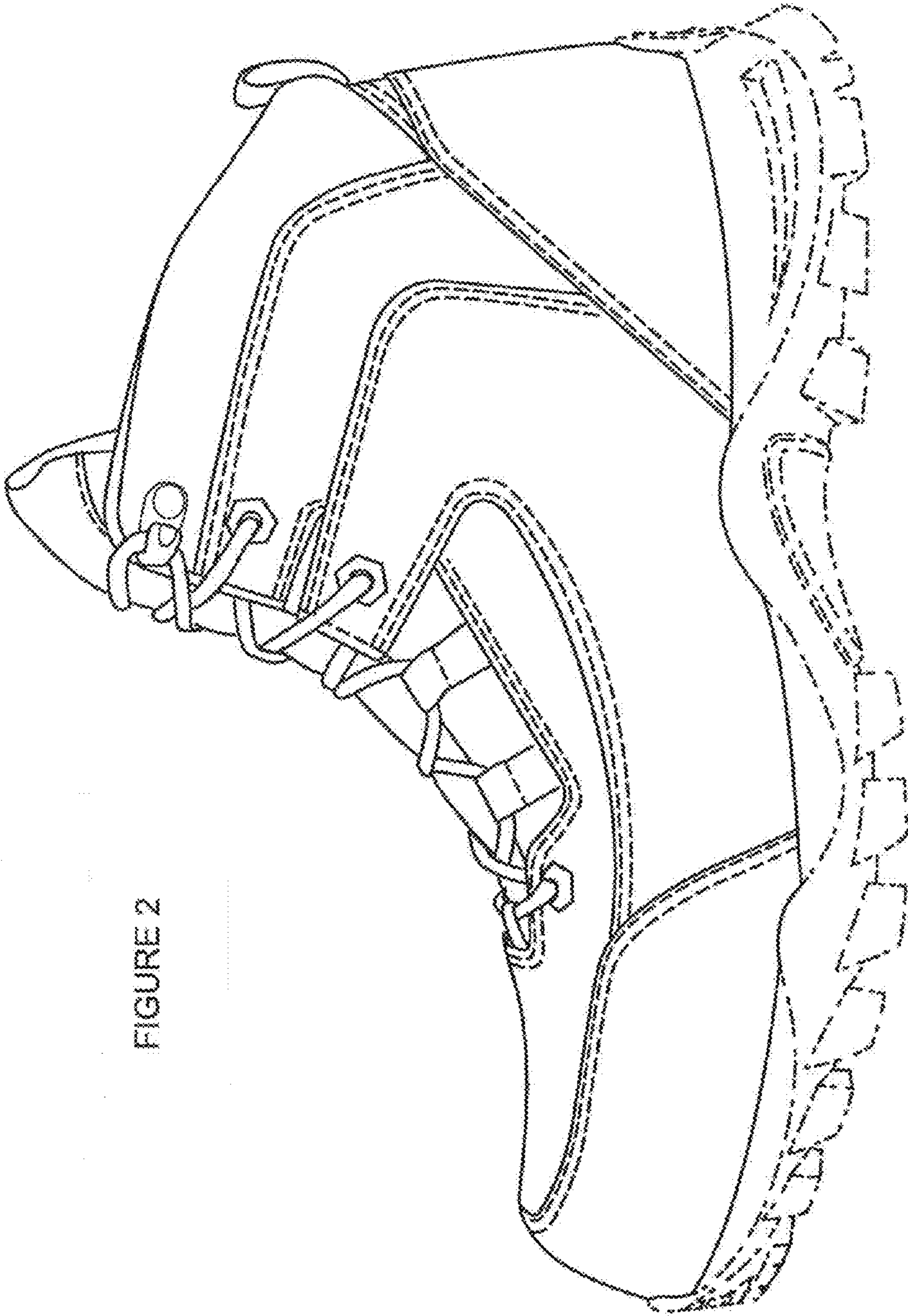


FIGURE 2

FIGURE 3

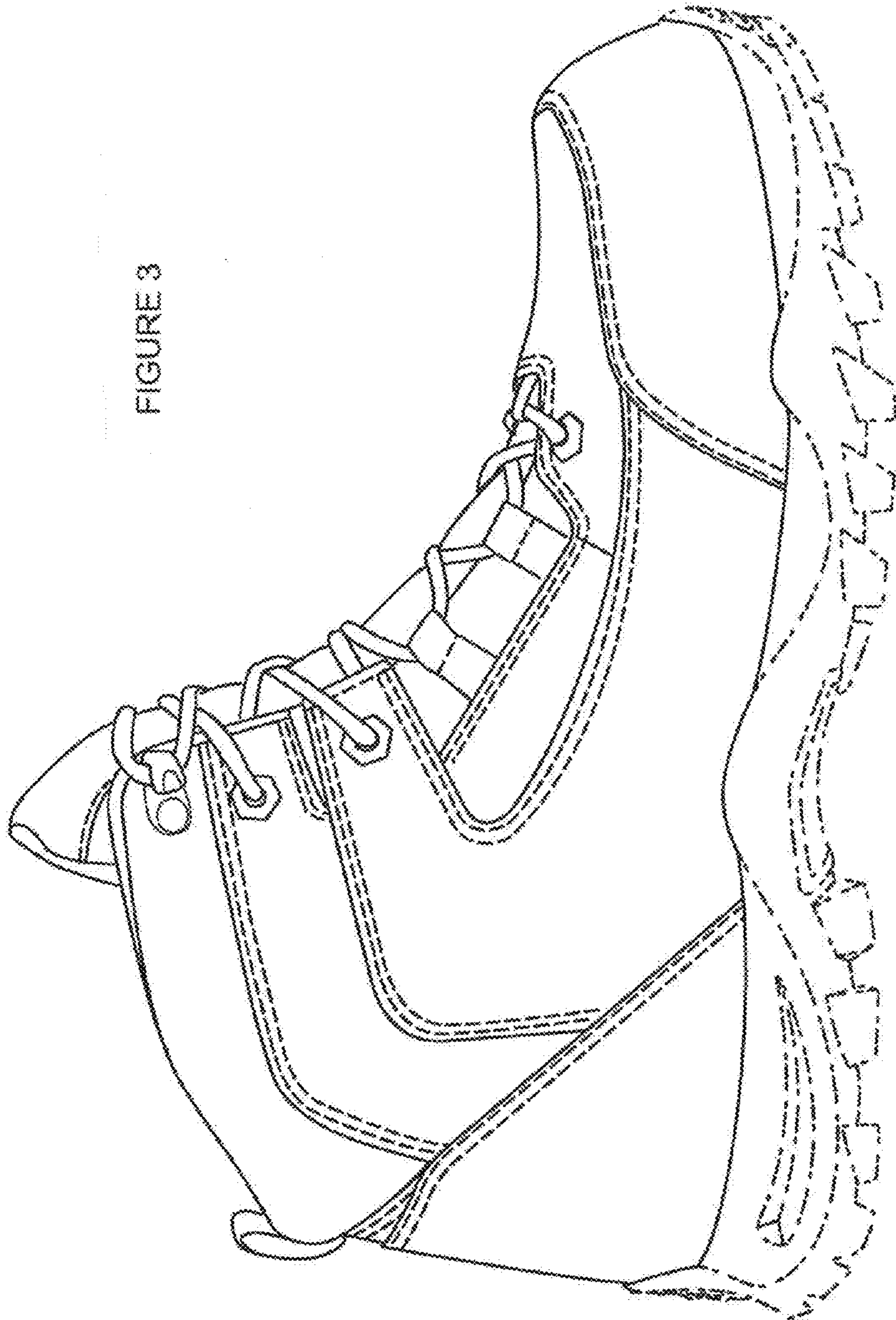


FIGURE 4

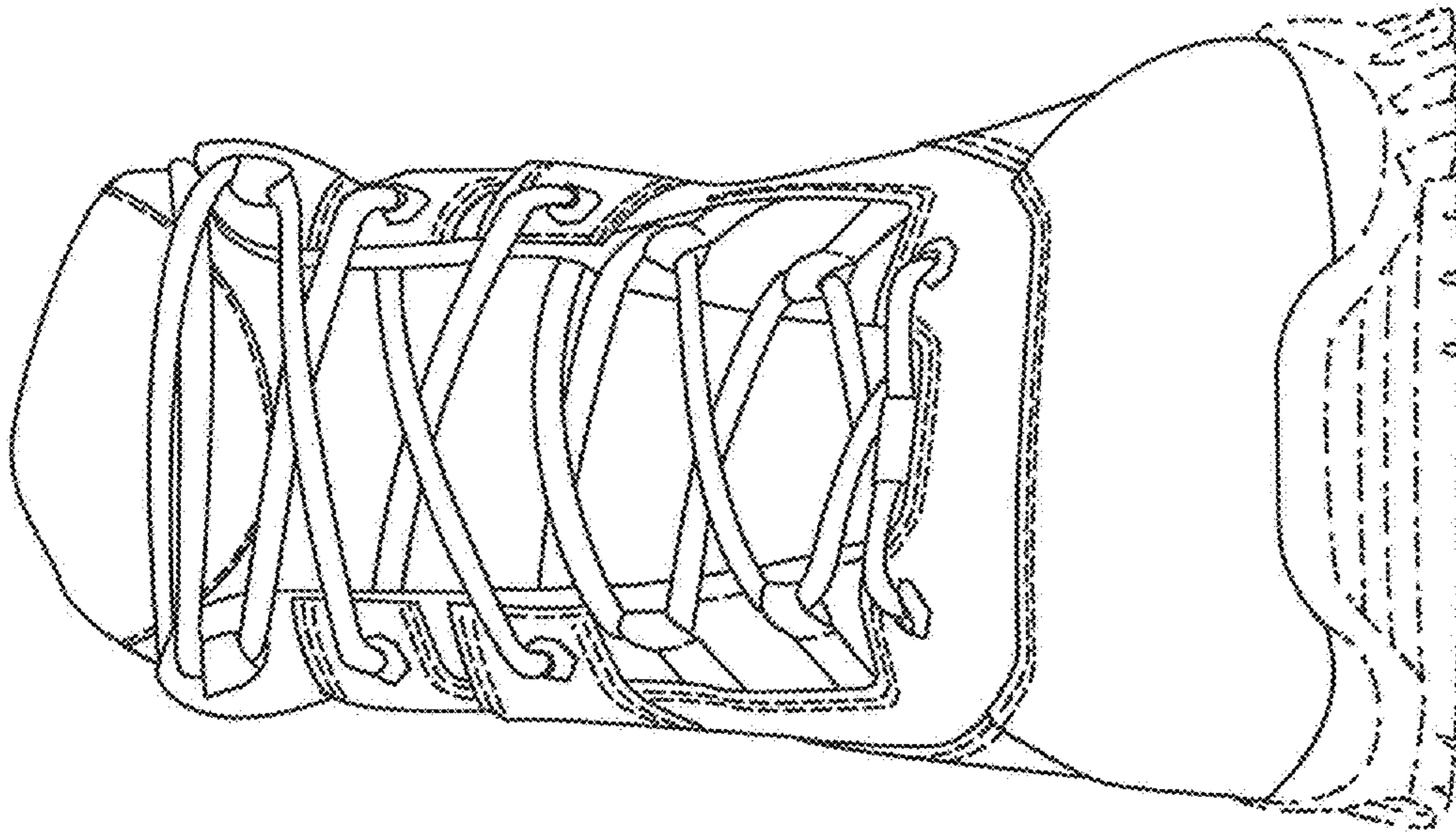
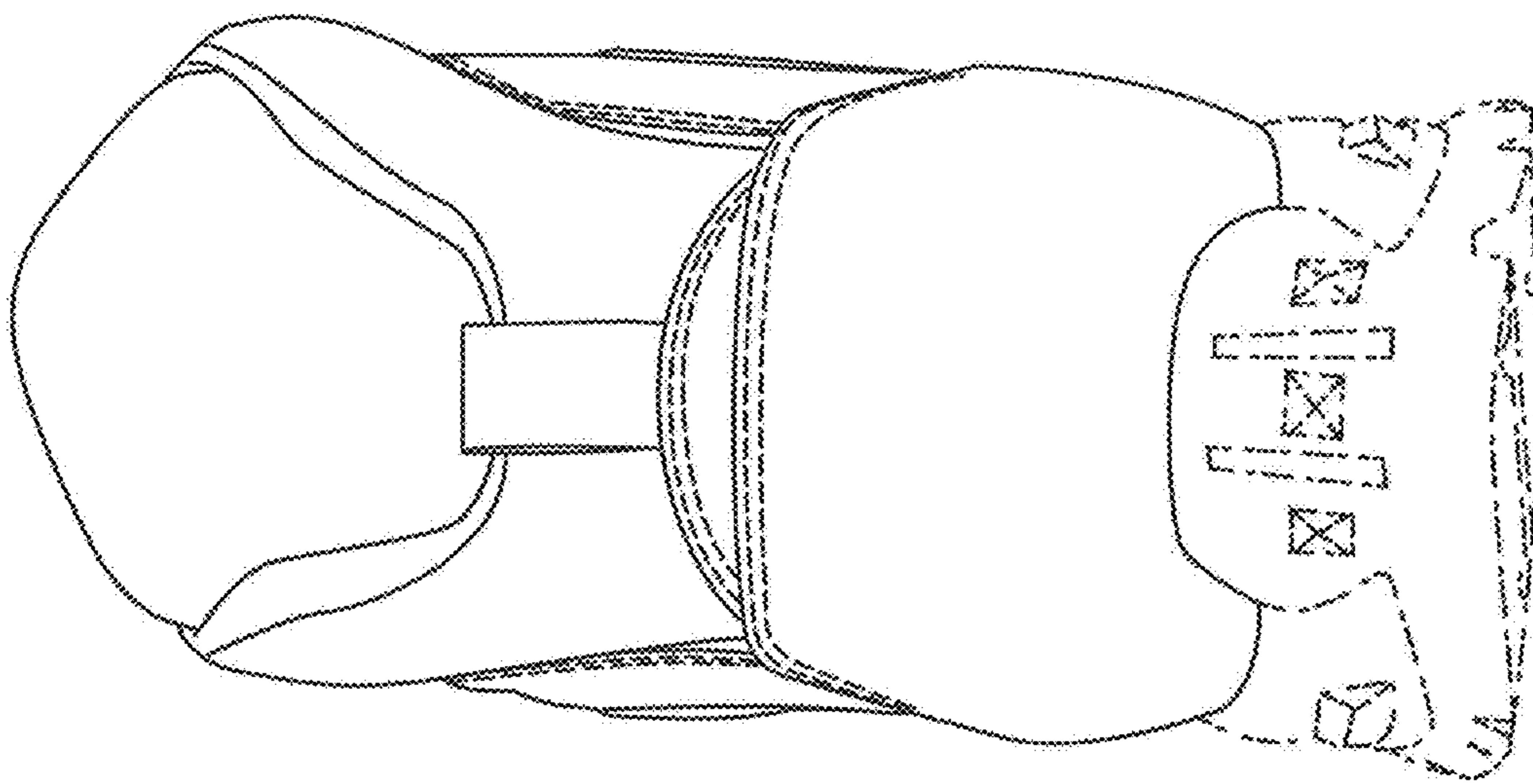


FIGURE 5



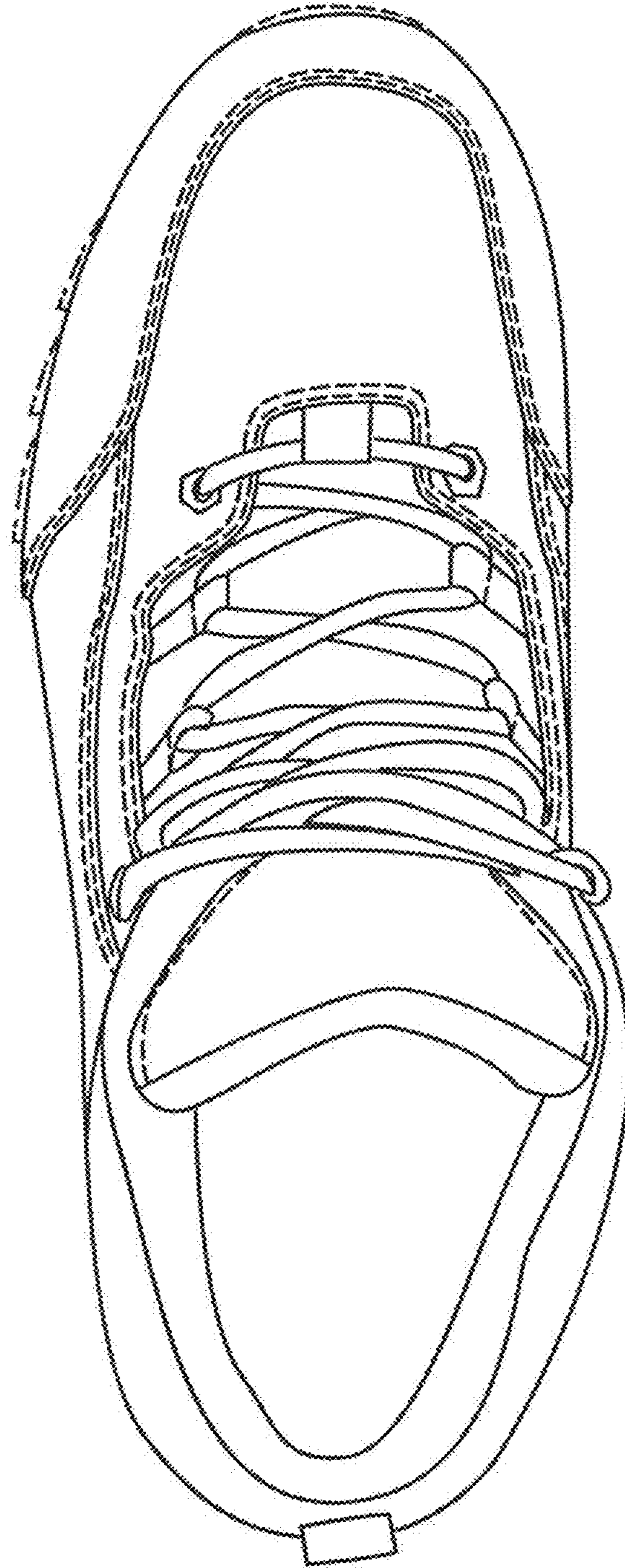


FIGURE 6