



US00D686805S

(12) **United States Design Patent**  
**Day, Jr.**

(10) **Patent No.:** **US D686,805 S**  
(45) **Date of Patent:** **\*\* Jul. 30, 2013**

- (54) **MEN'S HIGH TOP SNEAKER**
- (76) Inventor: **Wiley L. Day, Jr.**, Madison, AL (US)
- (\*\*) Term: **14 Years**
- (21) Appl. No.: **29/387,145**
- (22) Filed: **Mar. 9, 2011**
- (51) **LOC (9) Cl.** ..... **02-04**
- (52) **U.S. Cl.**  
USPC ..... **D2/902**
- (58) **Field of Classification Search**  
USPC ..... D2/896, 902, 905, 907, 908, 929,  
D2/943, 944, 945, 946, 969, 970, 971-978,  
D2/930; 36/83, 113-116, 126-131, 45, 46.5,  
36/47-49, 50.1, 50.5, 51-58, 3 A, 3 R  
See application file for complete search history.

- D590,579 S \* 4/2009 Cofinco ..... D2/902
- D611,230 S \* 3/2010 Choi ..... D2/902
- D611,240 S \* 3/2010 Choi ..... D2/969
- D613,041 S \* 4/2010 Thompson ..... D2/902
- D634,519 S \* 3/2011 Choi ..... D2/902
- 2002/0178611 A1\* 12/2002 Farys ..... 36/7.6

\* cited by examiner

*Primary Examiner* — Elizabeth J Oswecki

(74) *Attorney, Agent, or Firm* — George P. Kobler; Lanier Ford Shaver & Payne P.D.

(57) **CLAIM**

The ornamental design for a men's high top sneaker, as shown and described.

**DESCRIPTION**

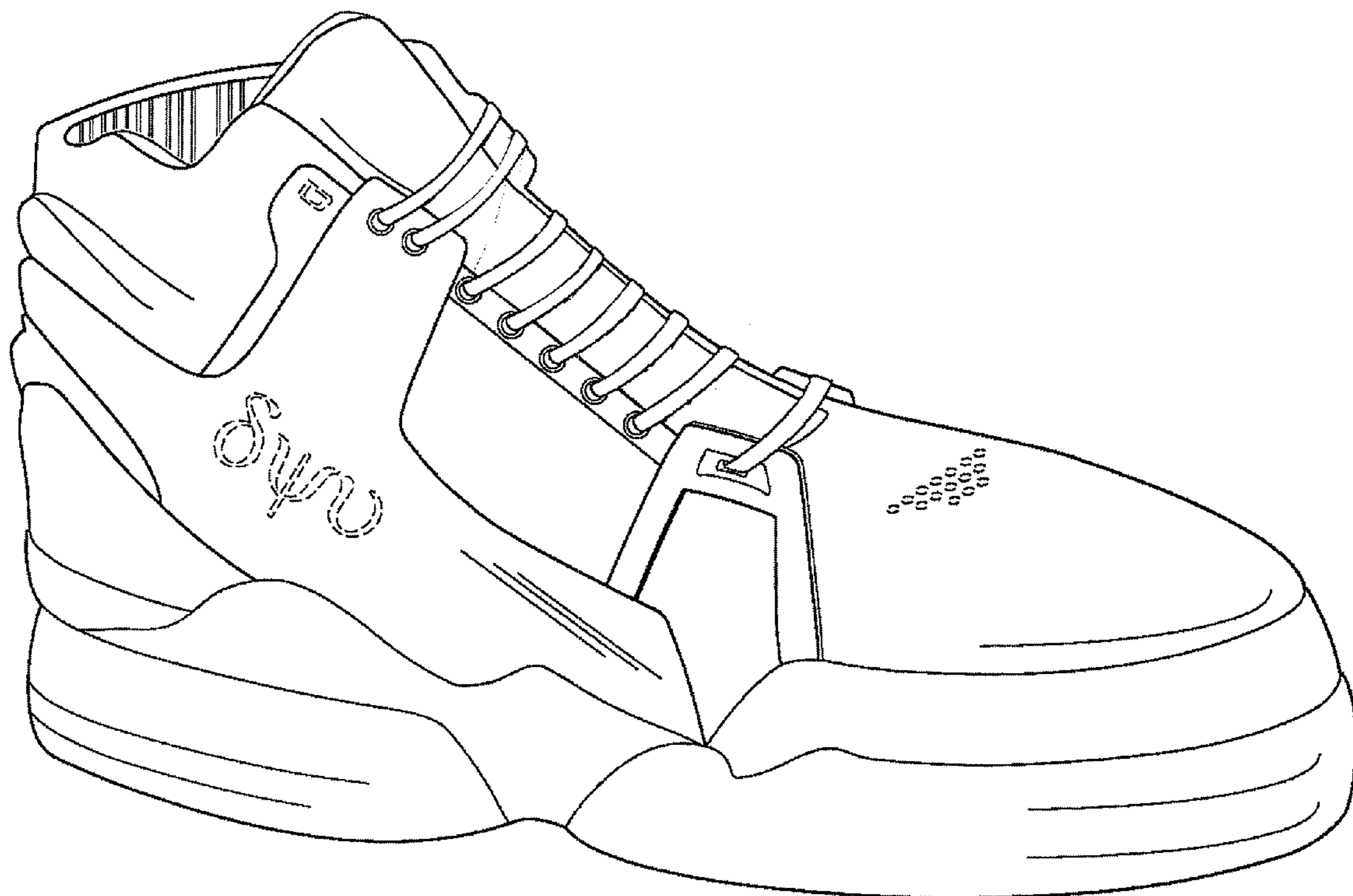
FIG. 1 is a perspective view of a men's high top sneaker showing my new design;  
 FIG. 2 is a right side view thereof;  
 FIG. 3 is a left side view thereof;  
 FIG. 4 is a front view thereof;  
 FIG. 5 is a rear view thereof; and,  
 FIG. 6 is a top view thereof.  
 The broken lines shown in the drawings represent portions of the men's high top sneaker that form no part of the claimed design.

**1 Claim, 5 Drawing Sheets**

(56) **References Cited**

U.S. PATENT DOCUMENTS

- D230,440 S 2/1974 Cohen
- D283,366 S \* 4/1986 Chassaing ..... D2/902
- D283,463 S \* 4/1986 Chassaing ..... D2/902
- D284,043 S \* 6/1986 Lowe et al. .... D2/902
- D297,781 S 9/1988 Diaz et al.
- D356,206 S \* 3/1995 Martin ..... D2/902
- D366,135 S 1/1996 Henderson, Jr. et al.
- D399,340 S \* 10/1998 James ..... D2/902
- D446,920 S \* 8/2001 Duclos ..... D2/969
- 7,325,336 B2\* 2/2008 Yamashita et al. .... 36/102



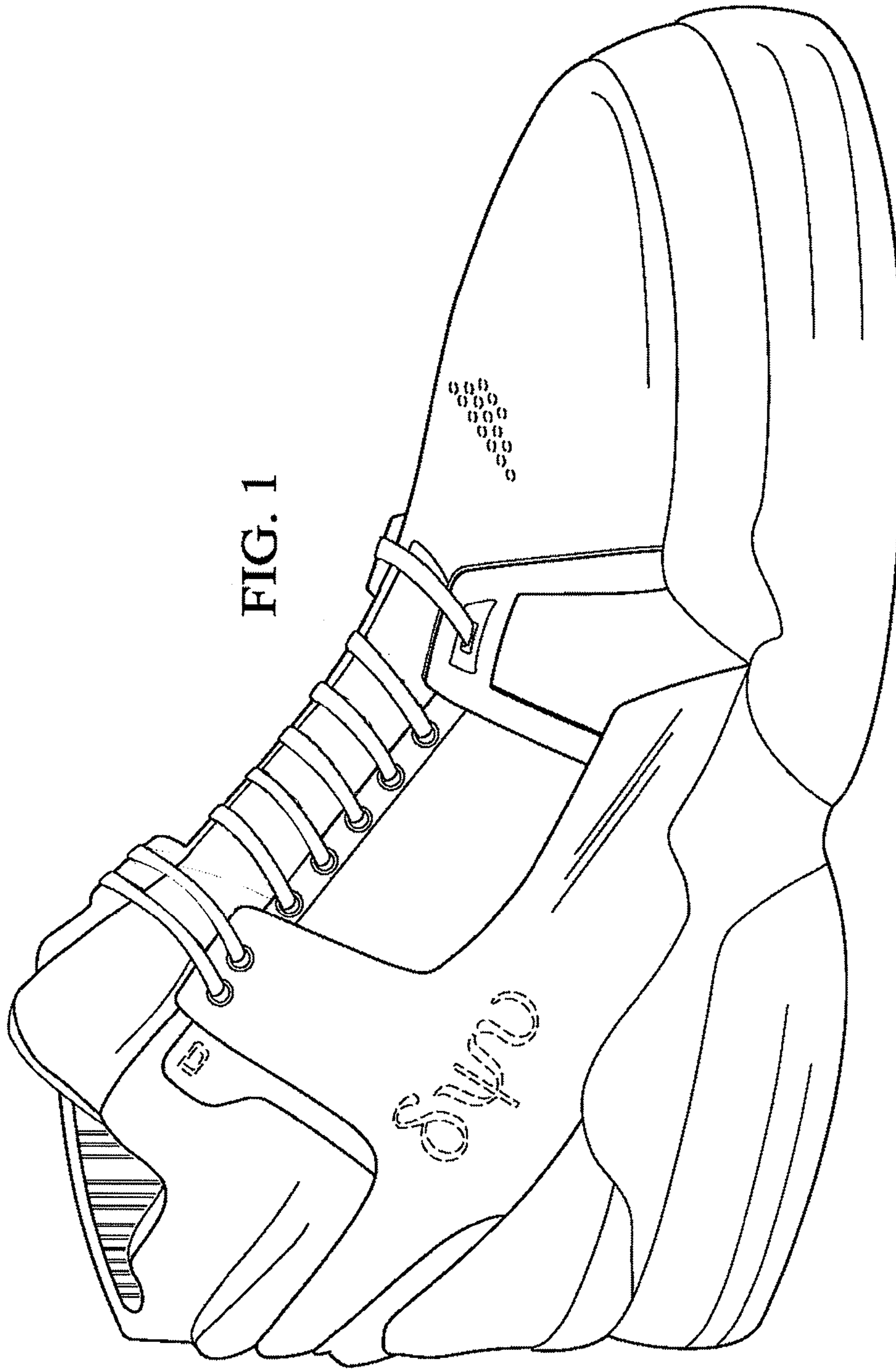


FIG. 1

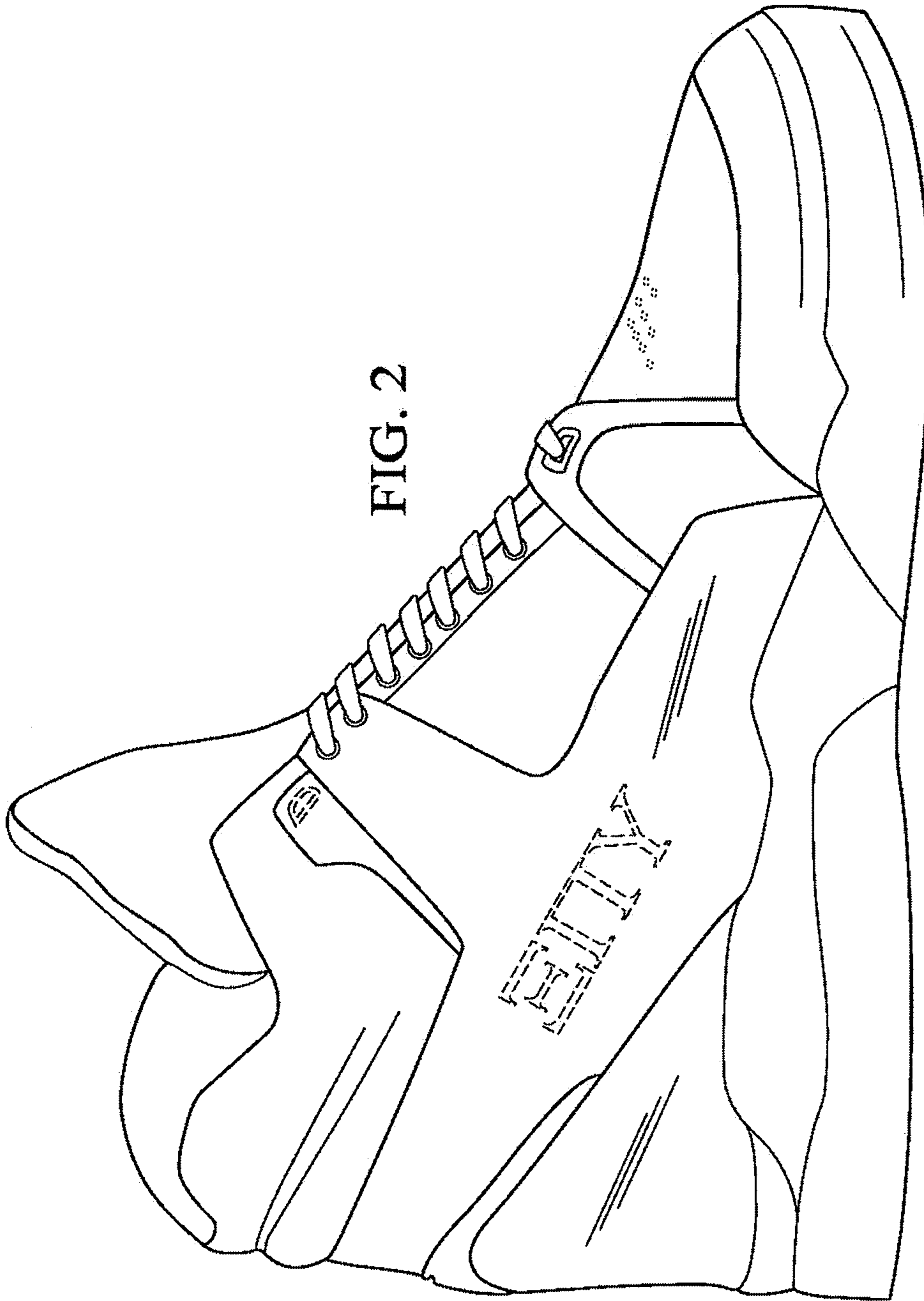


FIG. 2

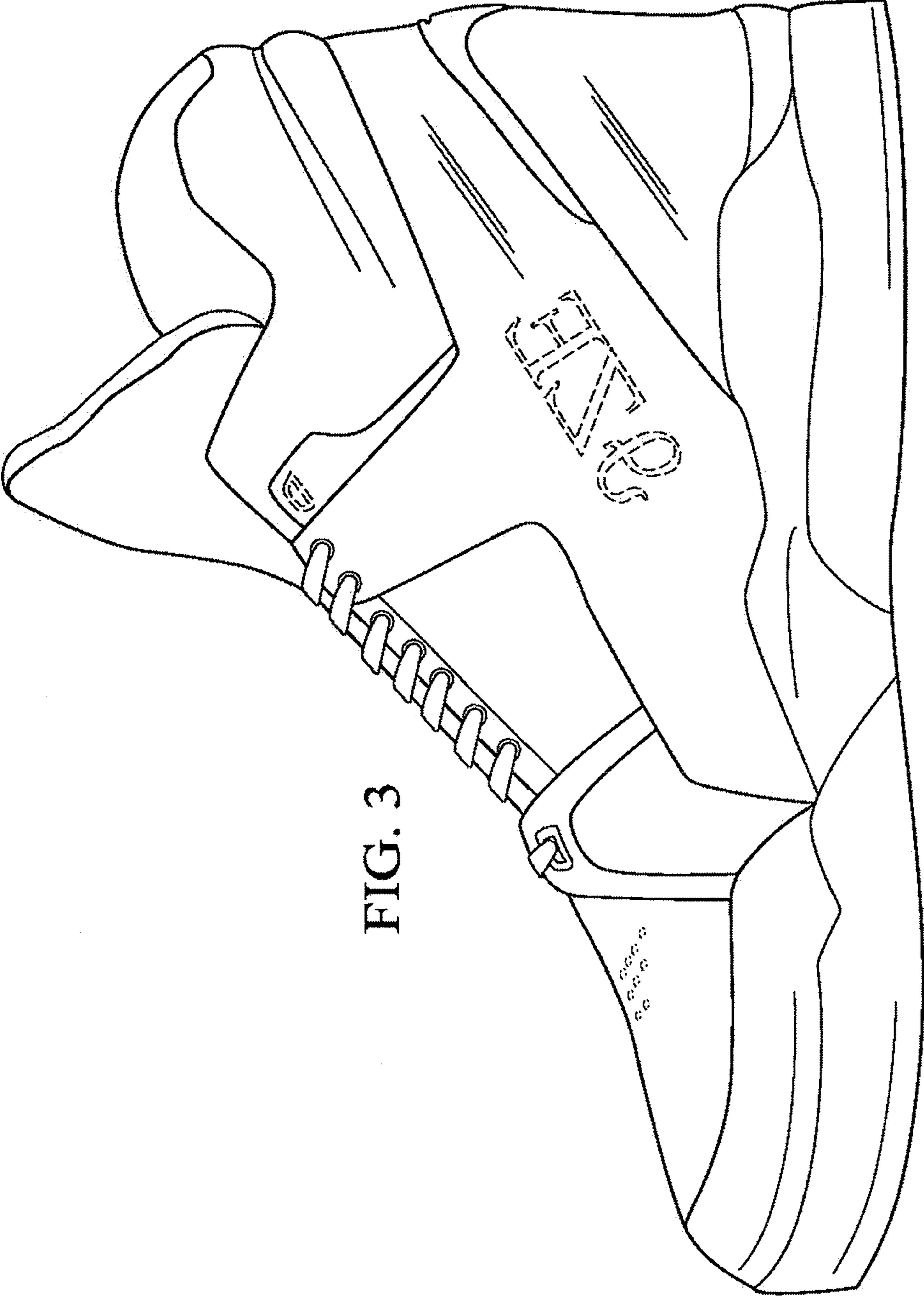


FIG. 3

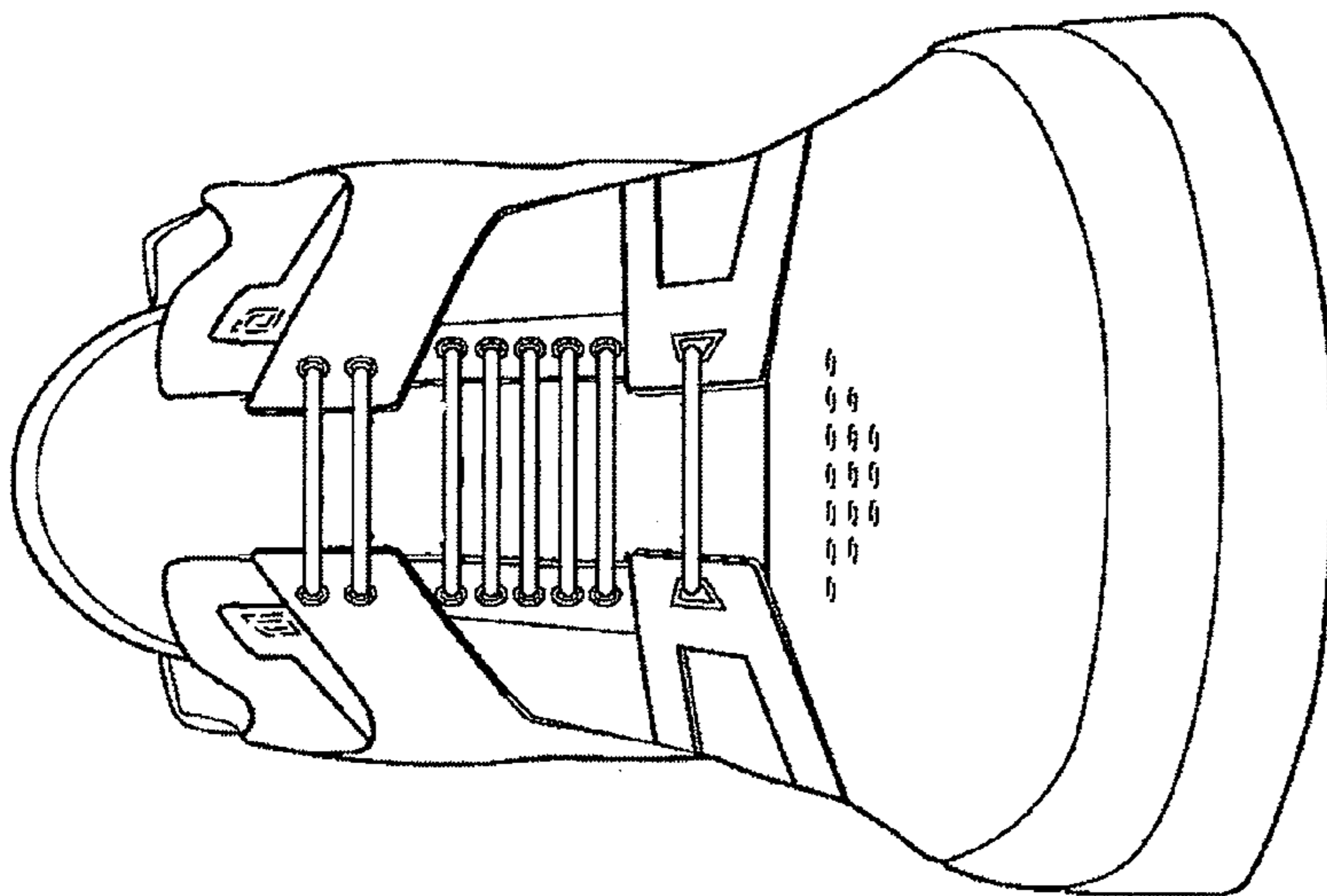


FIG. 4

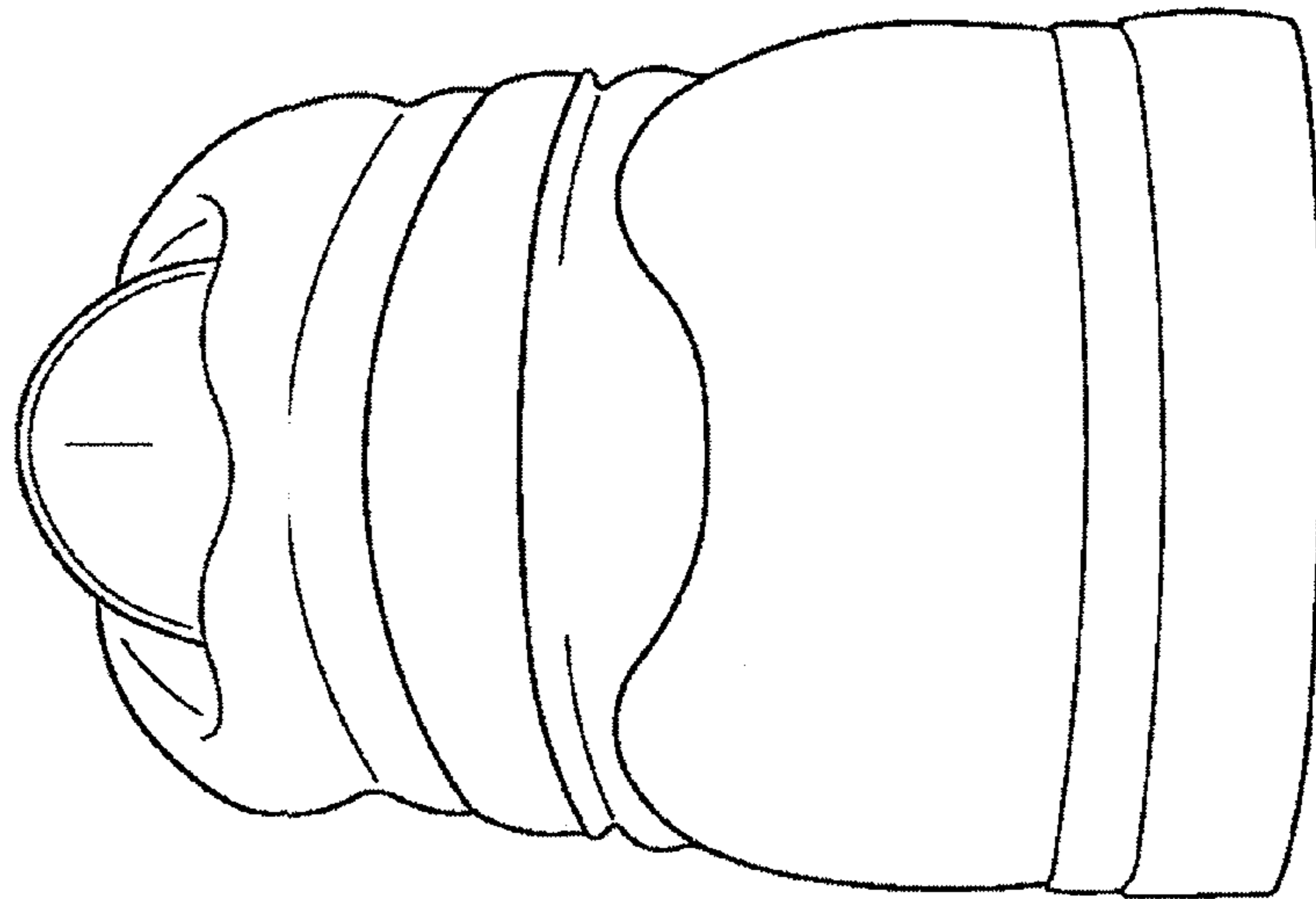


FIG. 5

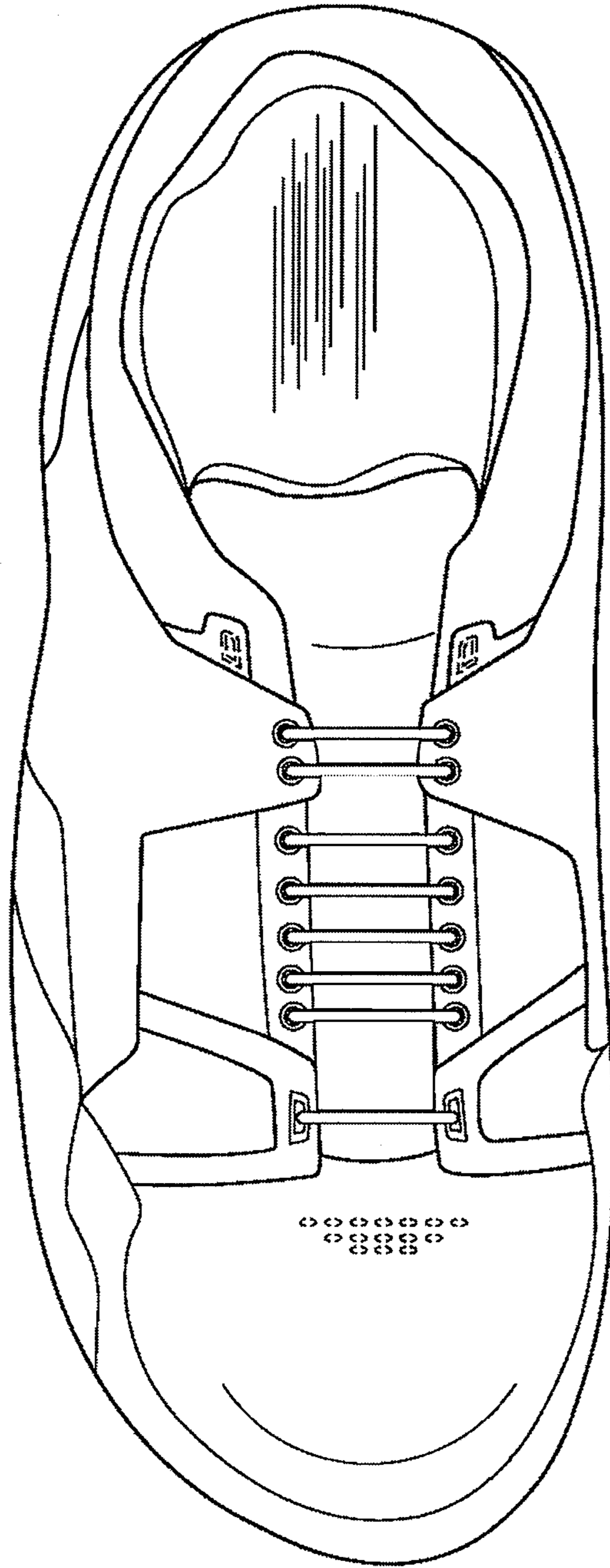


FIG. 6