



US00D686803S

(12) **United States Design Patent**
Phillips

(10) **Patent No.:** **US D686,803 S**

(45) **Date of Patent:** **** Jul. 30, 2013**

(54) **LAP APRON**

(71) Applicant: **Robyn M. Phillips**, Monticello, KY
(US)

(72) Inventor: **Robyn M. Phillips**, Monticello, KY
(US)

(**) Term: **14 Years**

(21) Appl. No.: **29/440,917**

(22) Filed: **Dec. 28, 2012**

(51) **LOC (9) Cl.** **02-02**

(52) **U.S. Cl.**
USPC **D2/864**

(58) **Field of Classification Search**
USPC D2/860, 861, 864; 2/46, 48-51
See application file for complete search history.

(56) **References Cited**

U.S. PATENT DOCUMENTS

1,108,557	A *	8/1914	Dudley	2/49.5
1,970,307	A *	8/1934	Hartmann	2/48
2,265,690	A *	12/1941	Fiedler	2/48
2,436,547	A *	2/1948	Bocchieri	2/49.5
2,457,725	A *	12/1948	Rhowmine	2/49.5
2,672,614	A *	3/1954	Zimmerman et al.	2/49.3
5,062,558	A *	11/1991	Stang	224/270
5,075,897	A *	12/1991	Daniels	2/48

D434,205	S *	11/2000	Kapszukiewicz	D2/860
6,708,341	B1 *	3/2004	Schaller	2/51
D499,530	S *	12/2004	Mintz et al.	D2/864
8,151,370	B2 *	4/2012	Perazzo	2/49.1
2002/0004945	A1 *	1/2002	Kaloustian	2/49.1

* cited by examiner

Primary Examiner — Rashida Johnson

(74) *Attorney, Agent, or Firm* — Stites & Harbison PLLC;
Terry L. Wright

(57) **CLAIM**

The ornamental design for a lap apron, as shown and described.

DESCRIPTION

FIG. 1 is a perspective view of the lap apron of the present invention;

FIG. 2 is a front elevational view of the lap apron of FIG. 1;

FIG. 3 is a rear elevational view of the lap apron of FIG. 1;

FIG. 4 is a top view of the lap apron of FIG. 1;

FIG. 5 is a bottom view of the lap apron of FIG. 1;

FIG. 6 is a right side elevational view of the lap apron of FIG. 1; and,

FIG. 7 is a left side elevational view of the lap apron of FIG. 1.

The portions drawn in broken lines are for illustrative purposes only and form no part of the claimed design.

1 Claim, 5 Drawing Sheets

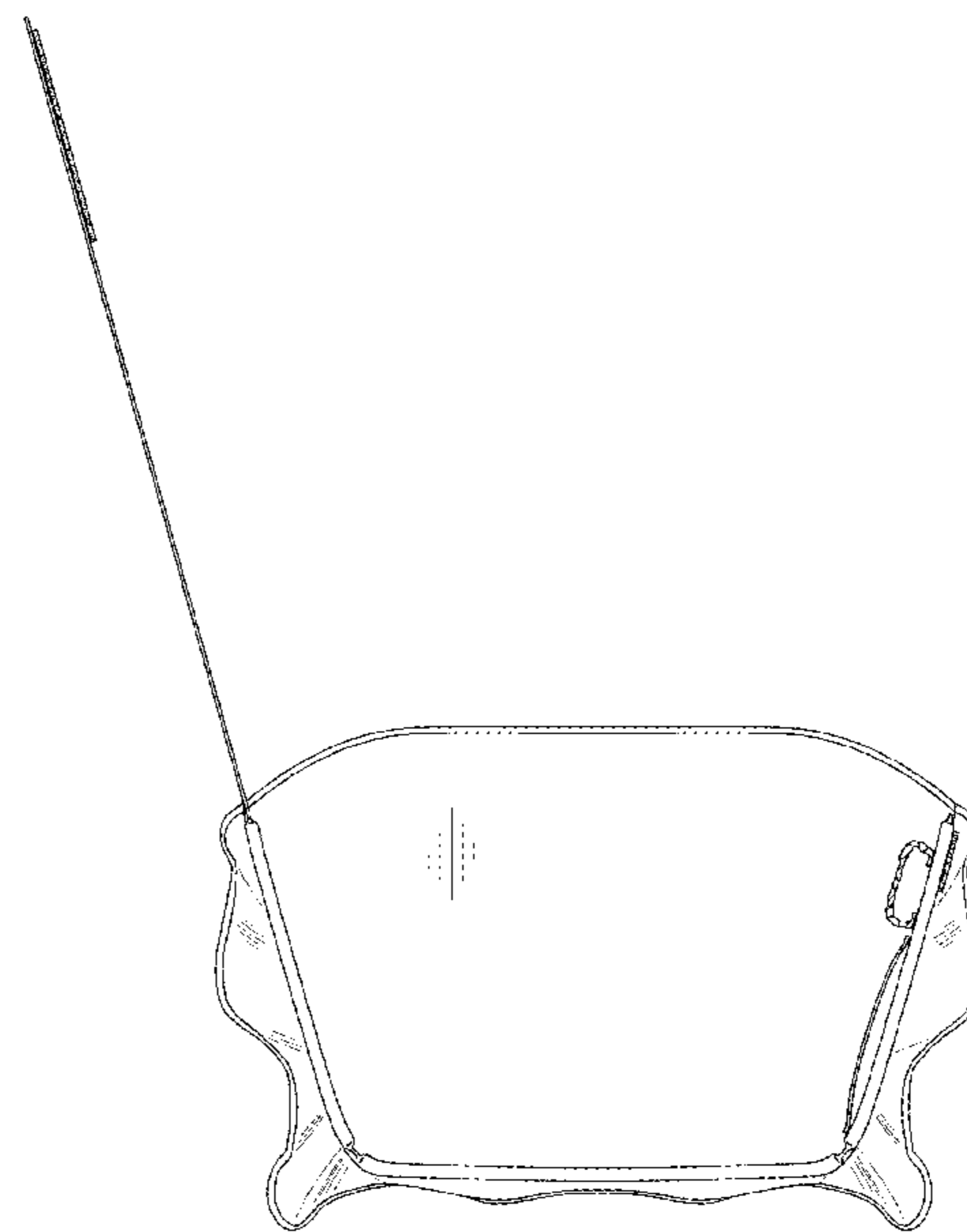
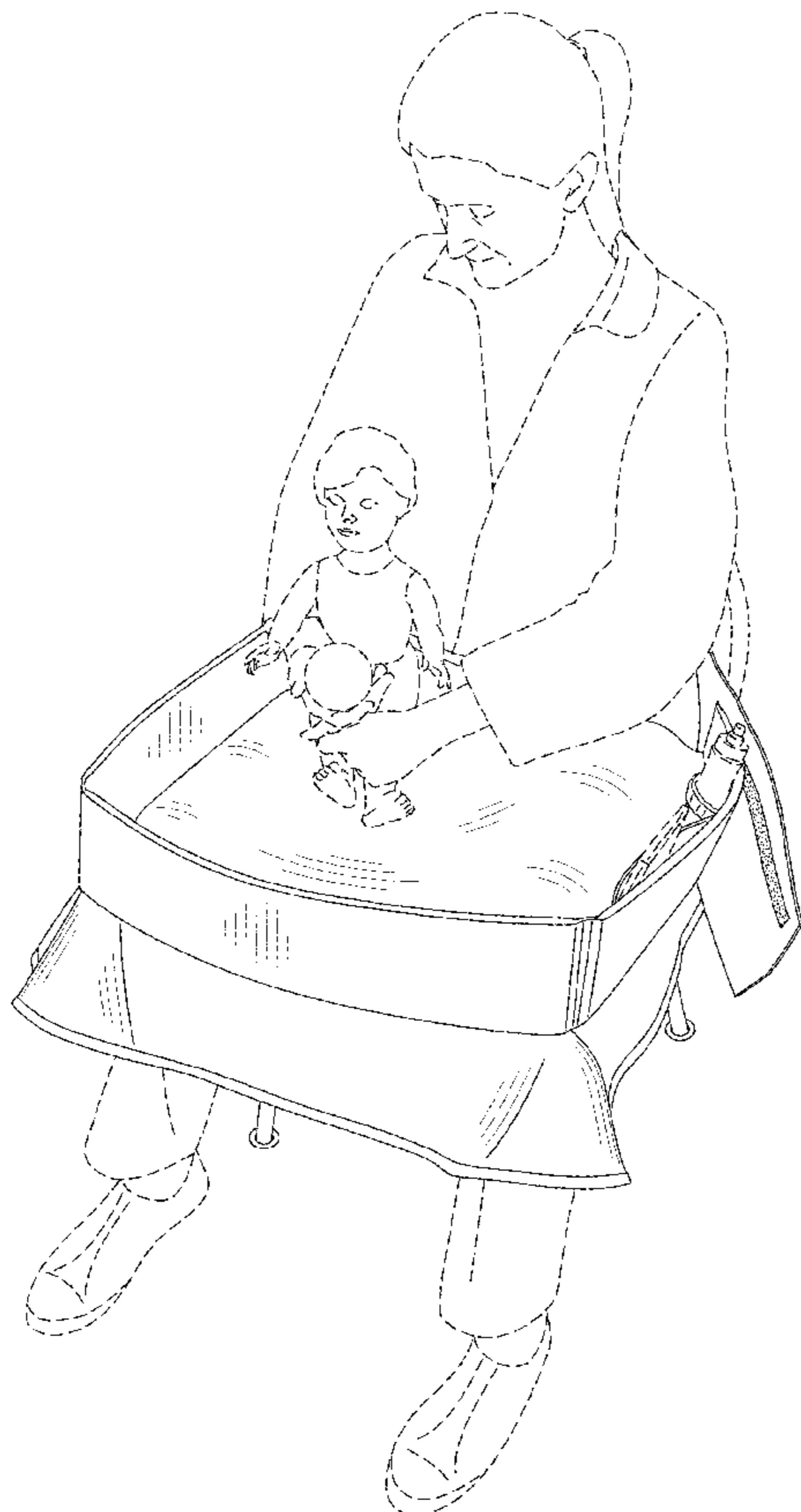
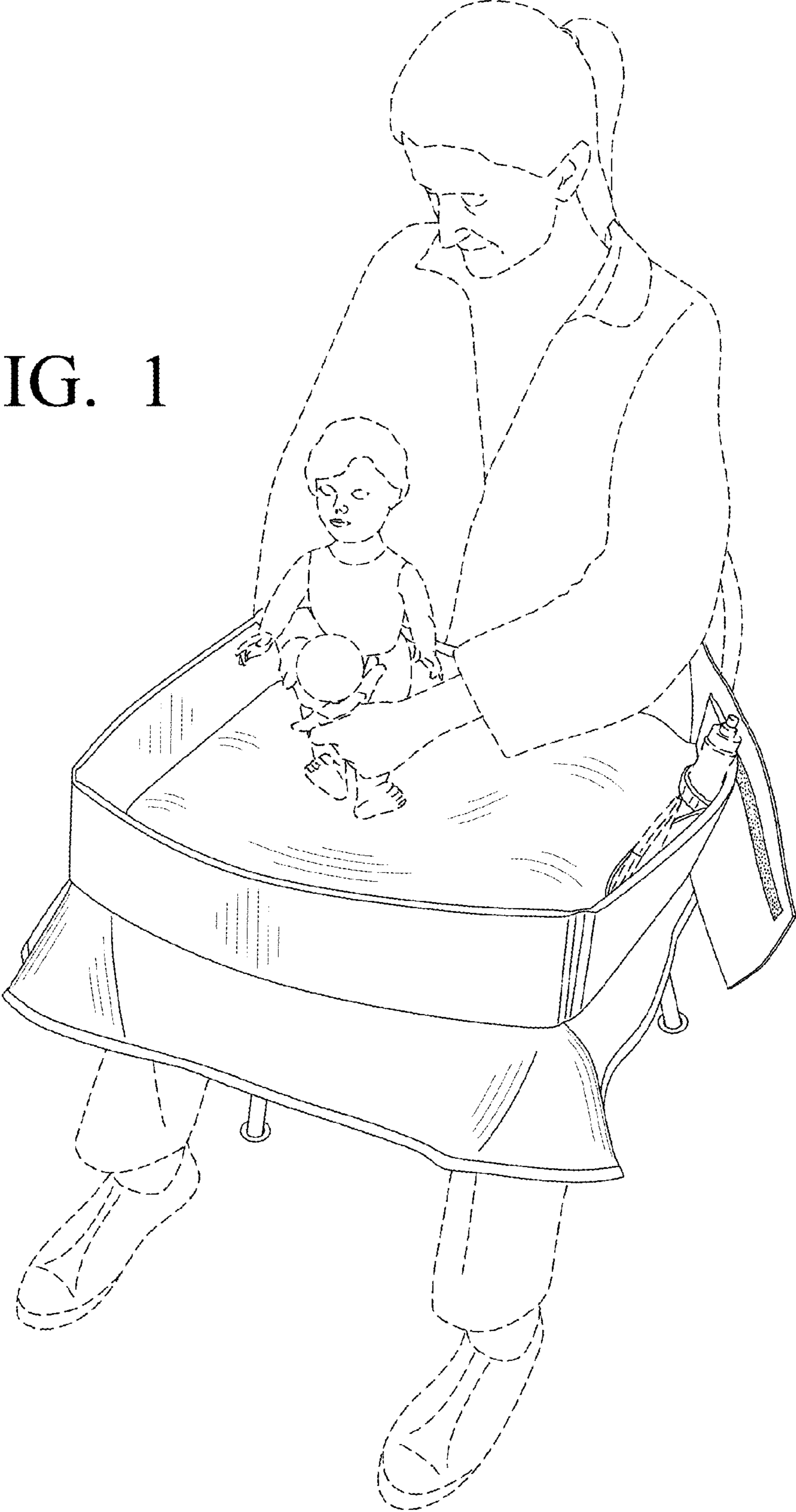


FIG. 1



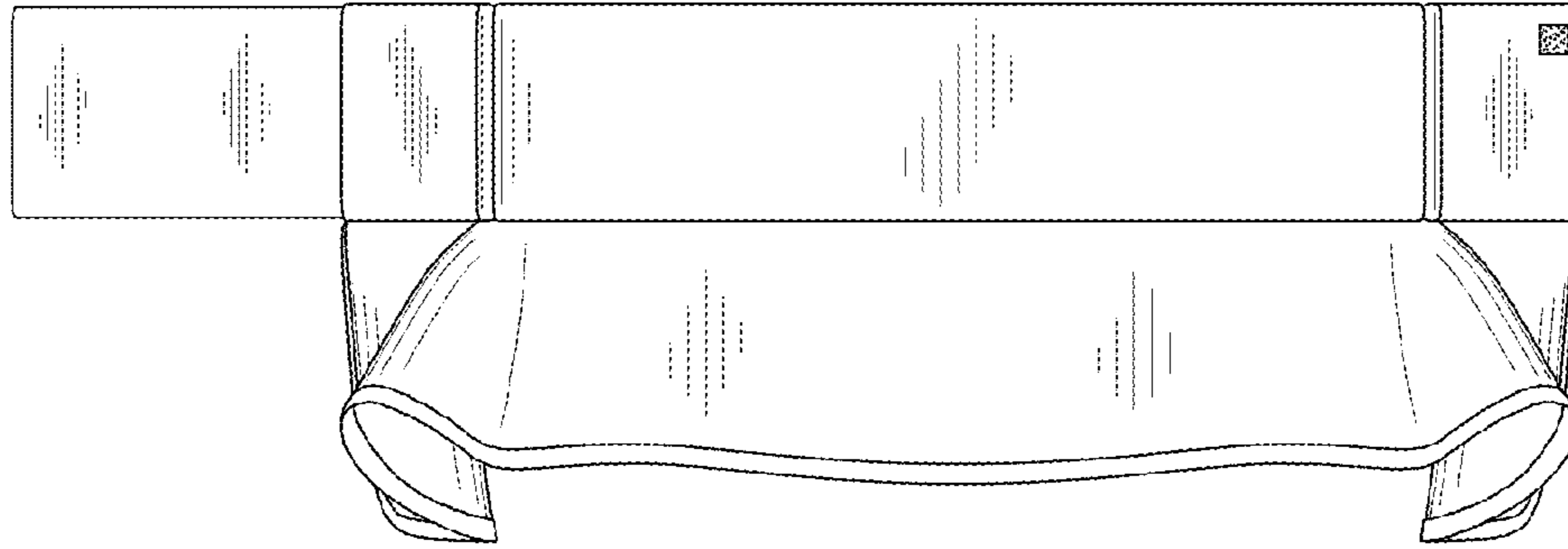


FIG. 2

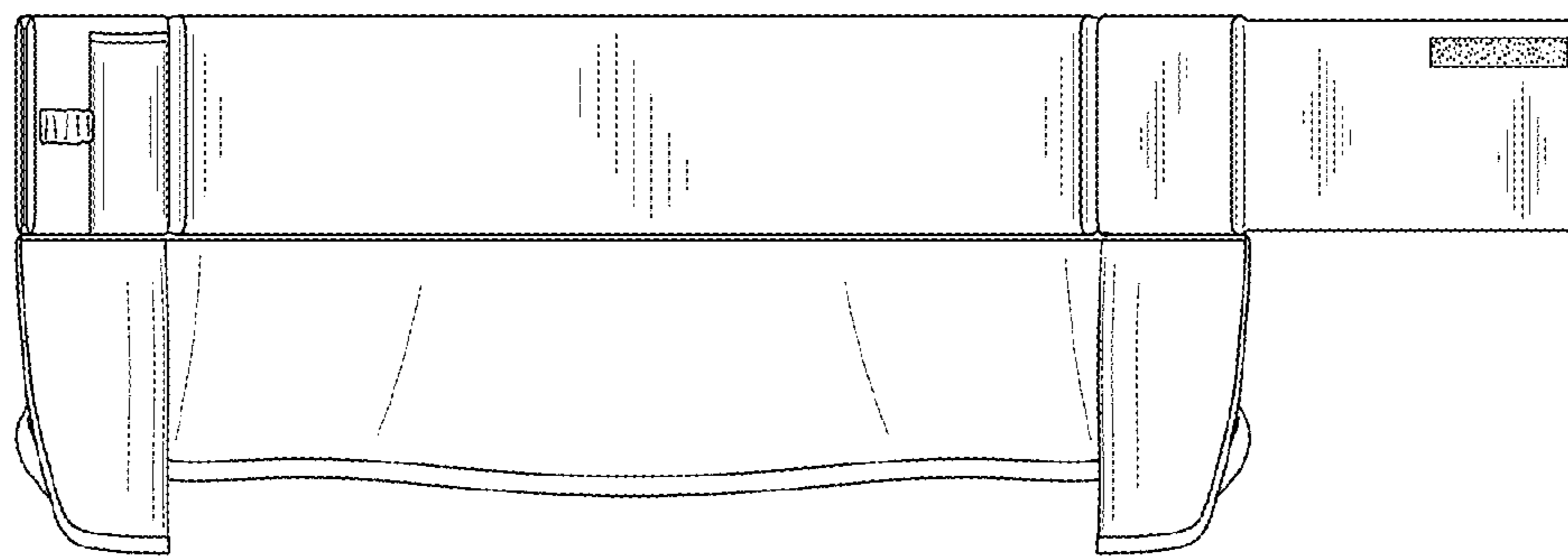


FIG. 3

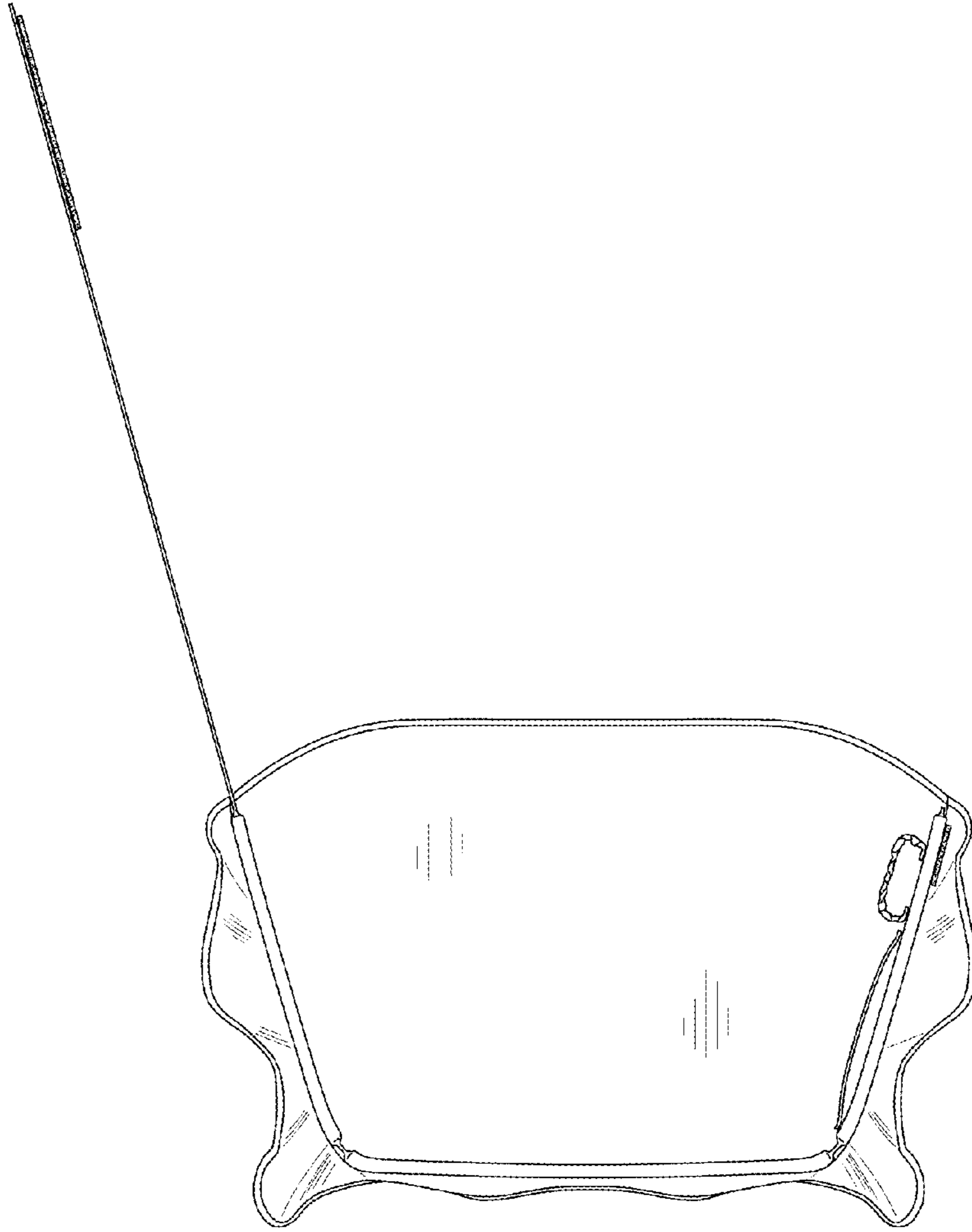


FIG. 4

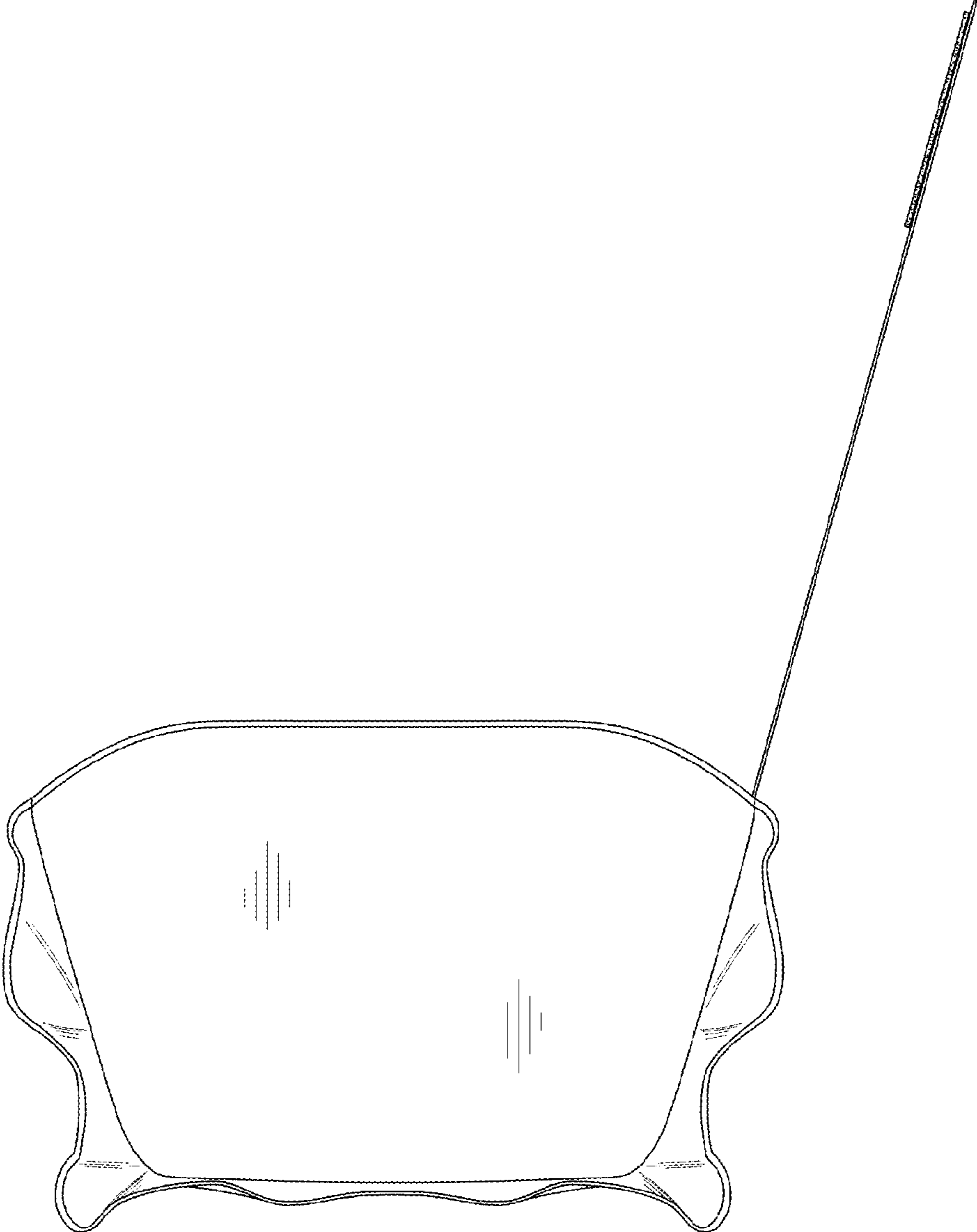


FIG. 5

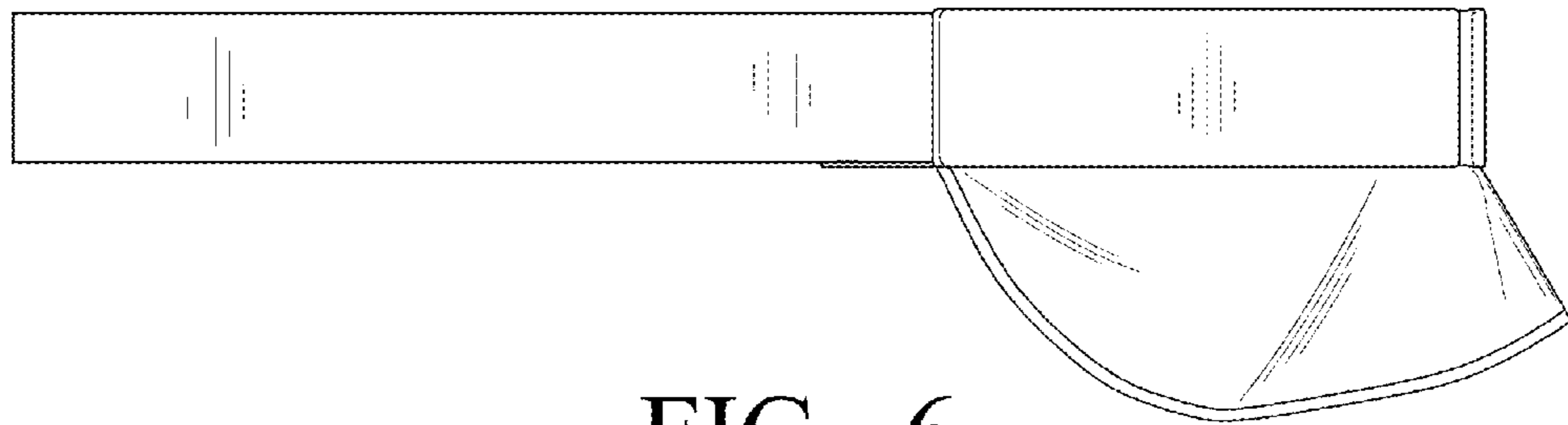


FIG. 6

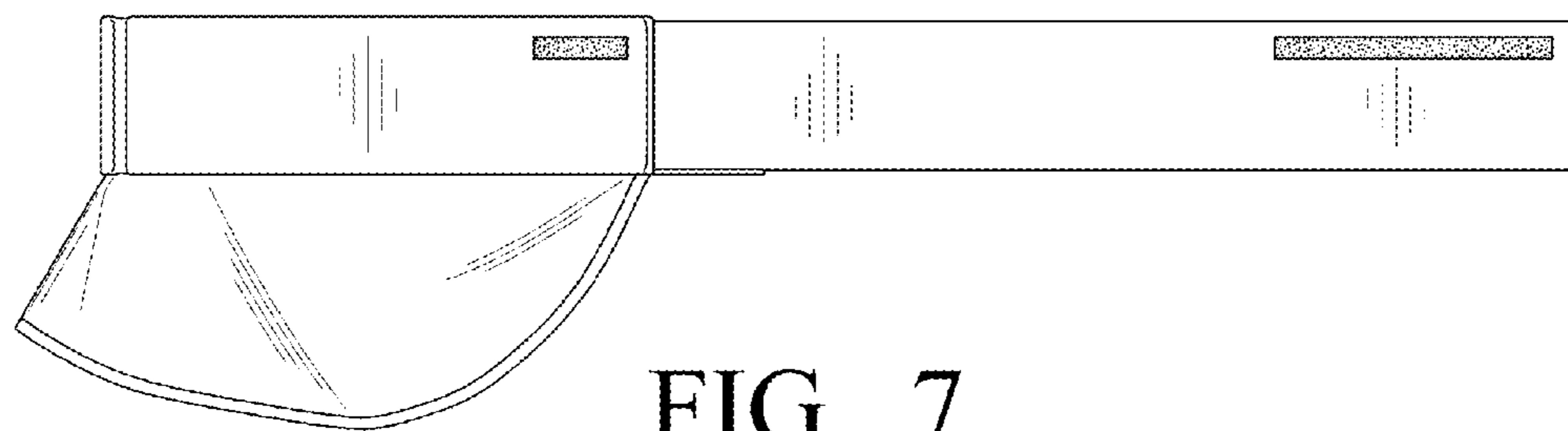


FIG. 7