



US00D686799S

(12) **United States Design Patent**  
**Farina et al.**

(10) **Patent No.:** **US D686,799 S**  
(45) **Date of Patent:** **\*\* Jul. 30, 2013**

(54) **PANTS**

(75) Inventors: **Angela Farina**, Baltimore, MD (US);  
**Parisse Majd**, Baltimore, MD (US)

(73) Assignee: **Under Armour, Inc.**, Baltimore, MD (US)

(\*\*) Term: **14 Years**

(21) Appl. No.: **29/410,182**

(22) Filed: **Jan. 5, 2012**

(51) **LOC (9) Cl.** ..... **02-02**

(52) **U.S. Cl.**  
USPC ..... **D2/742; D2/853**

(58) **Field of Classification Search**  
USPC ..... D2/853, 234, 69, 742, 815; 2/235,  
2/236, 309, 220, 234, 78.3, 265, 237  
See application file for complete search history.

(56) **References Cited**

**U.S. PATENT DOCUMENTS**

|              |         |               |       |        |
|--------------|---------|---------------|-------|--------|
| D645,644 S * | 9/2011  | Iamartino     | ..... | D2/742 |
| D654,661 S * | 2/2012  | Savage        | ..... | D2/742 |
| D660,553 S * | 5/2012  | Farina et al. | ..... | D2/742 |
| D661,872 S * | 6/2012  | Iamartino     | ..... | D2/742 |
| D662,281 S * | 6/2012  | Iamartino     | ..... | D2/742 |
| D668,434 S * | 10/2012 | Iamartino     | ..... | D2/742 |
| D673,756 S * | 1/2013  | Agnew et al.  | ..... | D2/742 |

**OTHER PUBLICATIONS**

ATHLETA Catalog. Runabout Pant. Item J. p. 37. Fail 2011, Petaluma, California.

ATHLETA Catalog, Organic Cotton Salamba Pant, p. 64, Fail 2011, Petaluma, California.  
ATHLETA Catalog, Kickbooty Pant. p. 65, Fail 2011, Petaluma, California.

\* cited by examiner

*Primary Examiner* — Ian Simmons

*Assistant Examiner* — Eleni H. Aldridge

(74) *Attorney, Agent, or Firm* — Wesley W. Muller

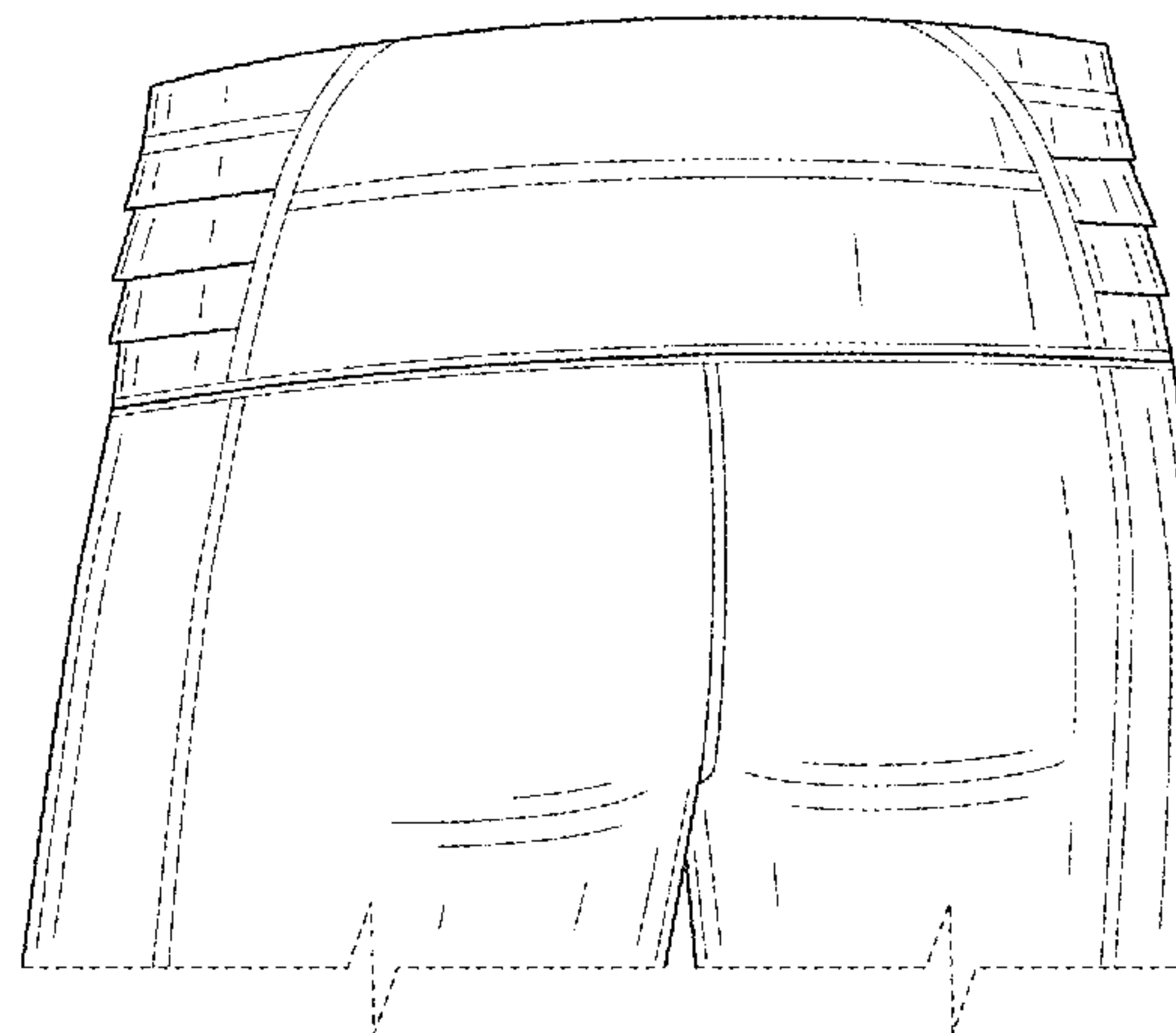
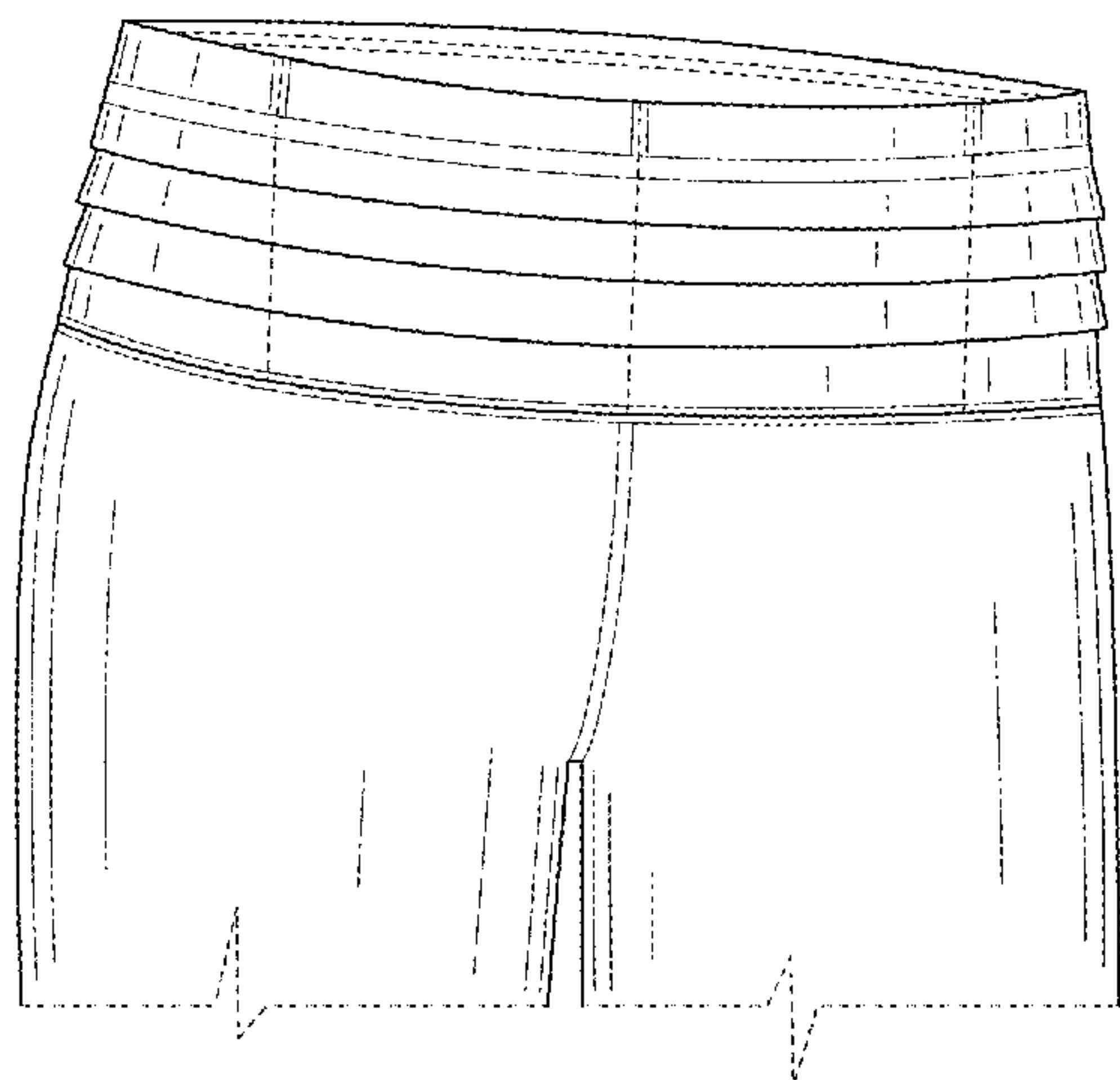
(57) **CLAIM**

The ornamental design for pants, as shown and described.

**DESCRIPTION**

FIG. 1 is a front perspective view of pants according to the present invention;  
FIG. 2 is a rear perspective view of the pants of FIG. 1;  
FIG. 3 is a front view of the pants of FIG. 1;  
FIG. 4 is a rear view of the pants of FIG. 1;  
FIG. 5 is a right side view of the pants of FIG. 1;  
FIG. 6 is a left side view of the pants of FIG. 1;  
FIG. 7 is a top view of the pants of FIG. 1; and,  
FIG. 8 is a bottom view of the pants of FIG. 1.  
The broken lines showing stitching on the band of the pants in FIGS. 1, 3, 5, and 6 are included for the purpose of illustrating portions of the article that forms no part of the claimed design. The broken lines at the bottom of the pants in FIGS. 1-7 which define the bounds of the claimed design form no part thereof.

**1 Claim, 7 Drawing Sheets**



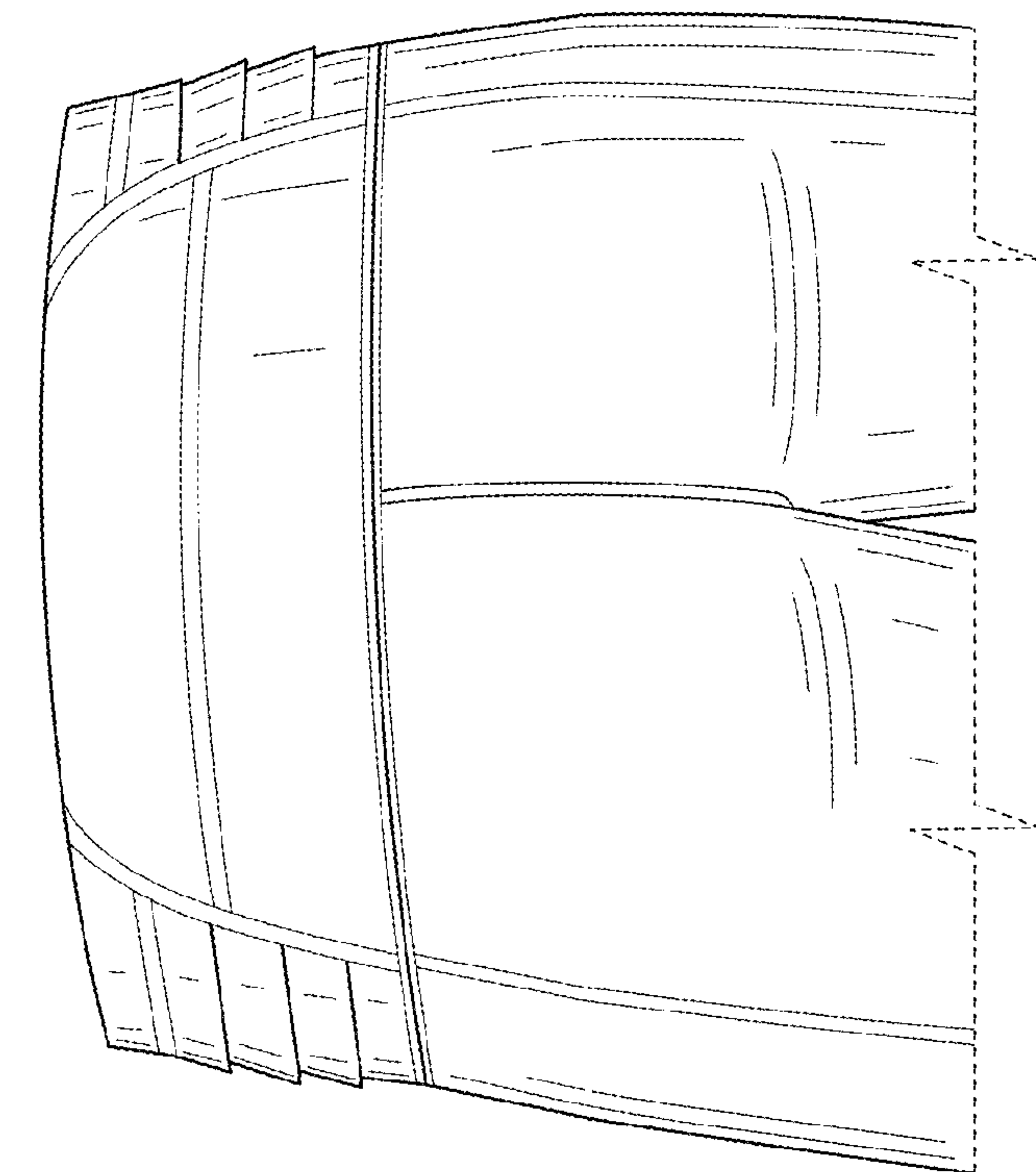


FIG. 2

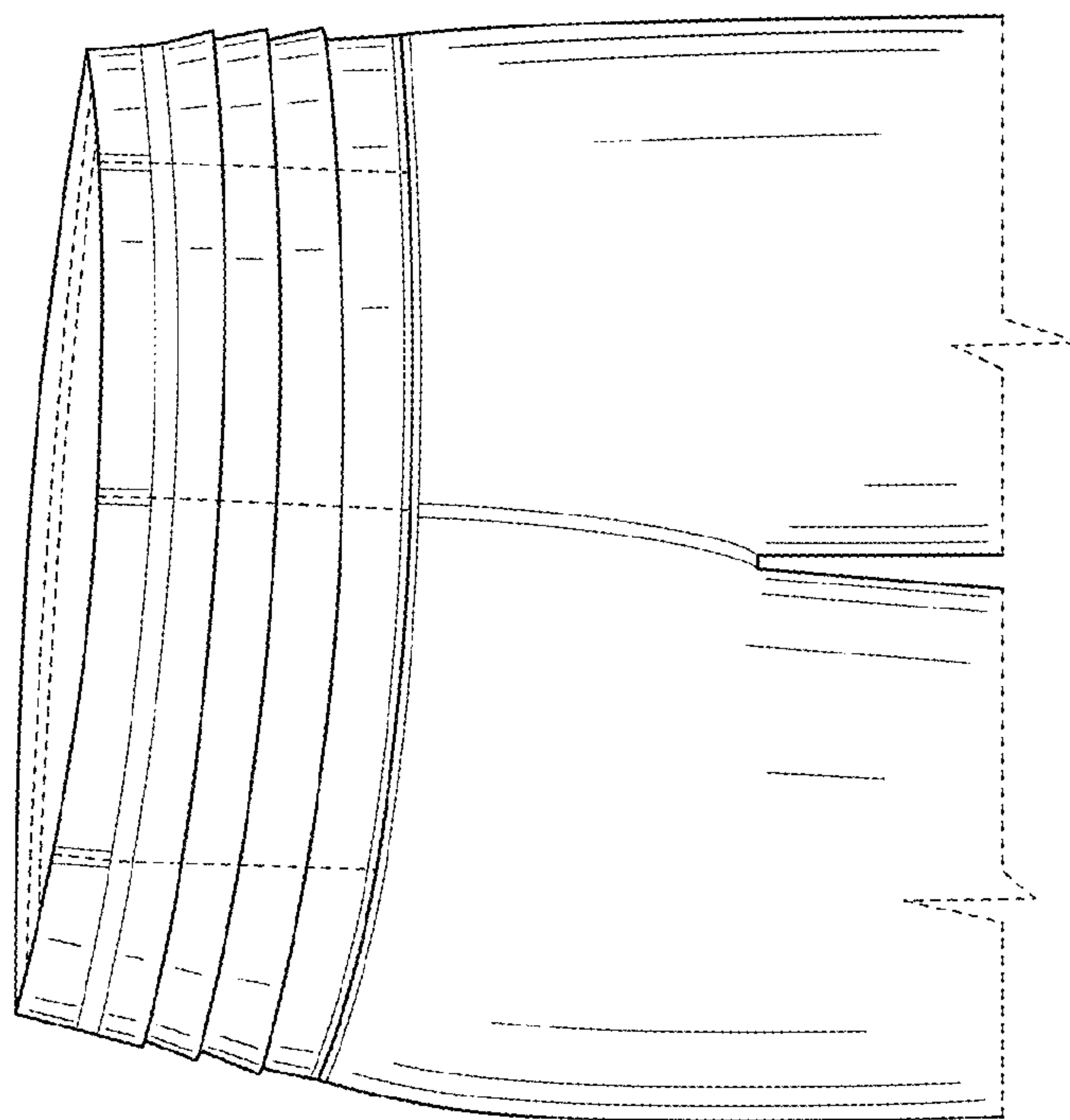
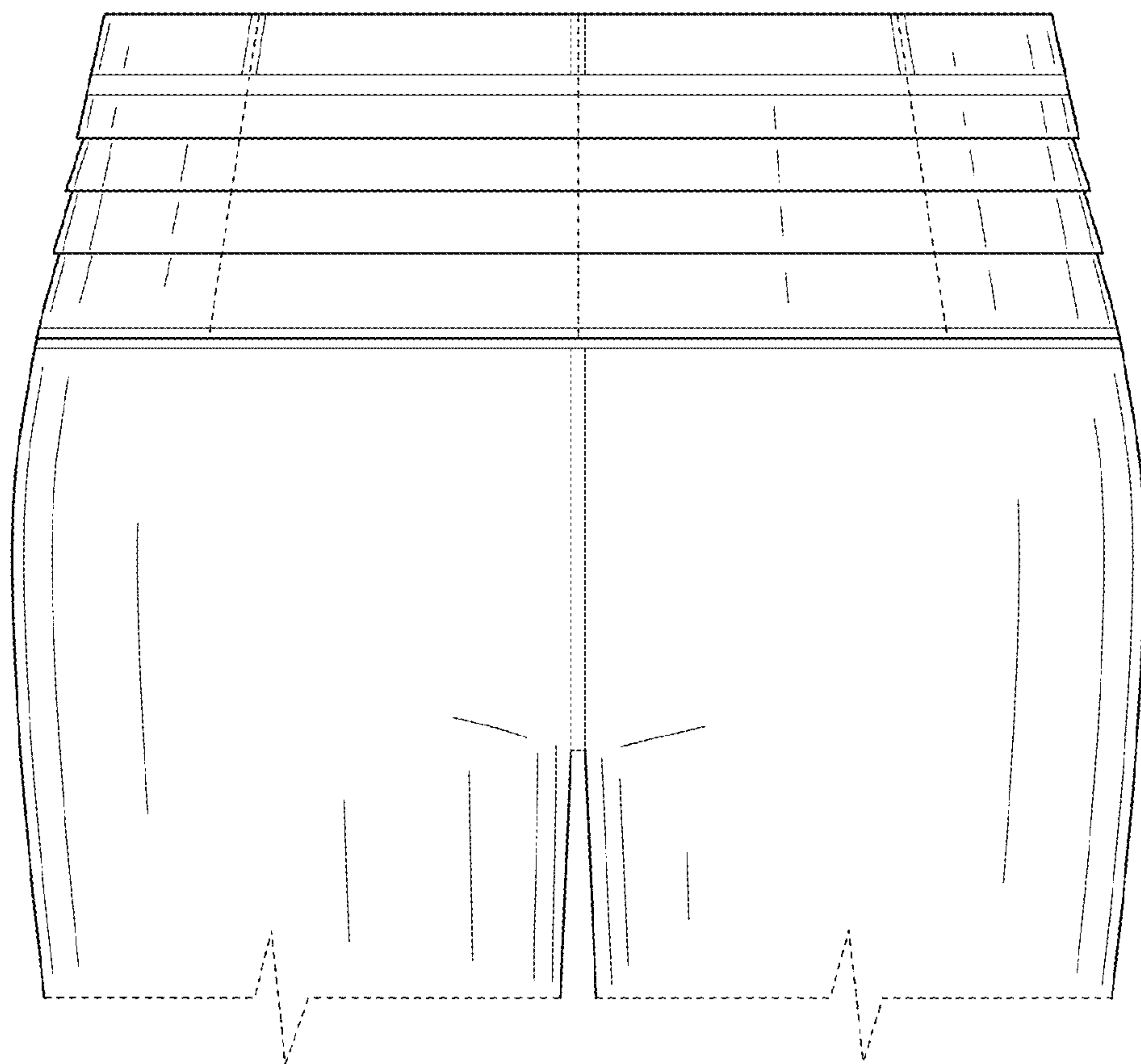
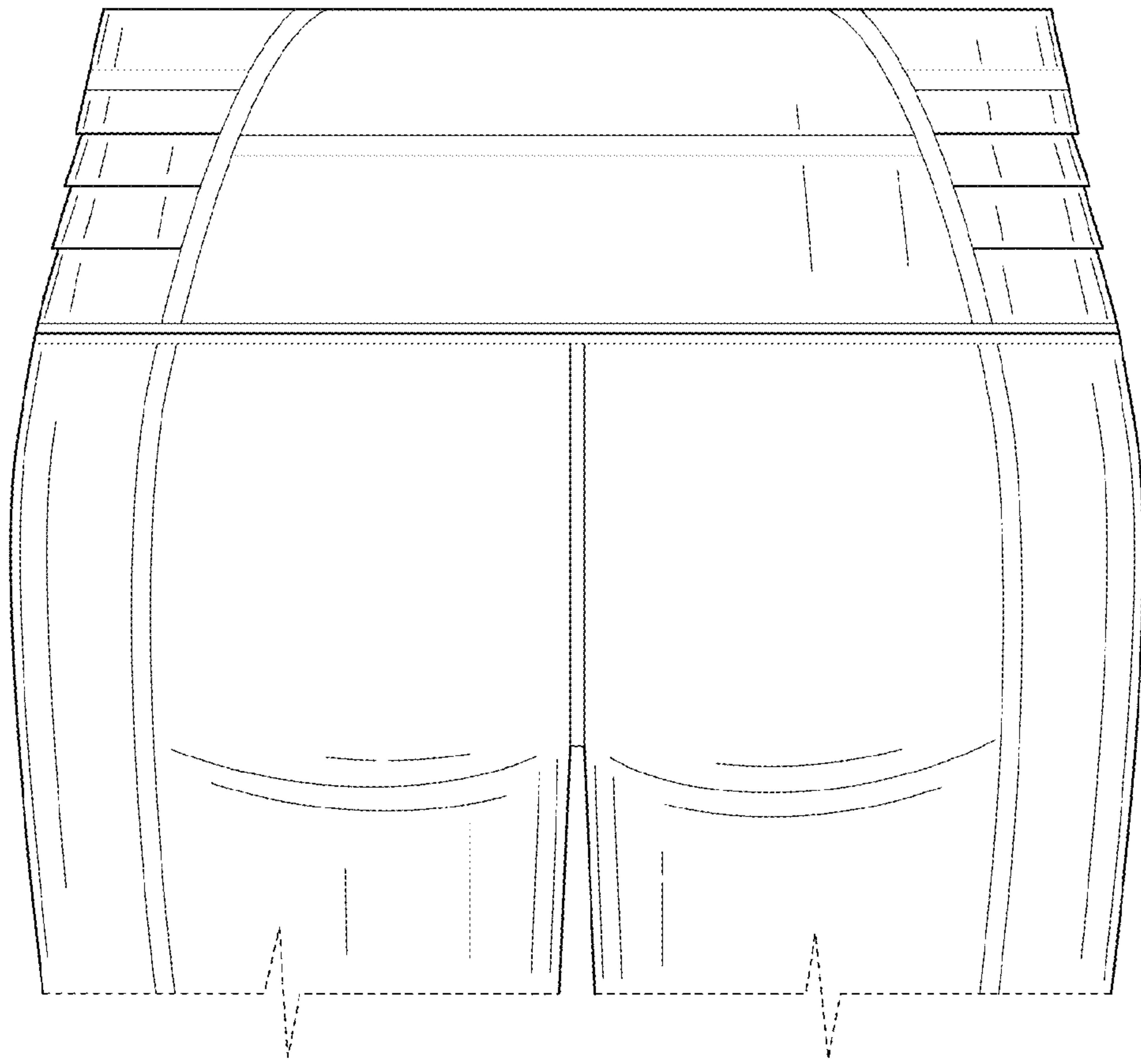


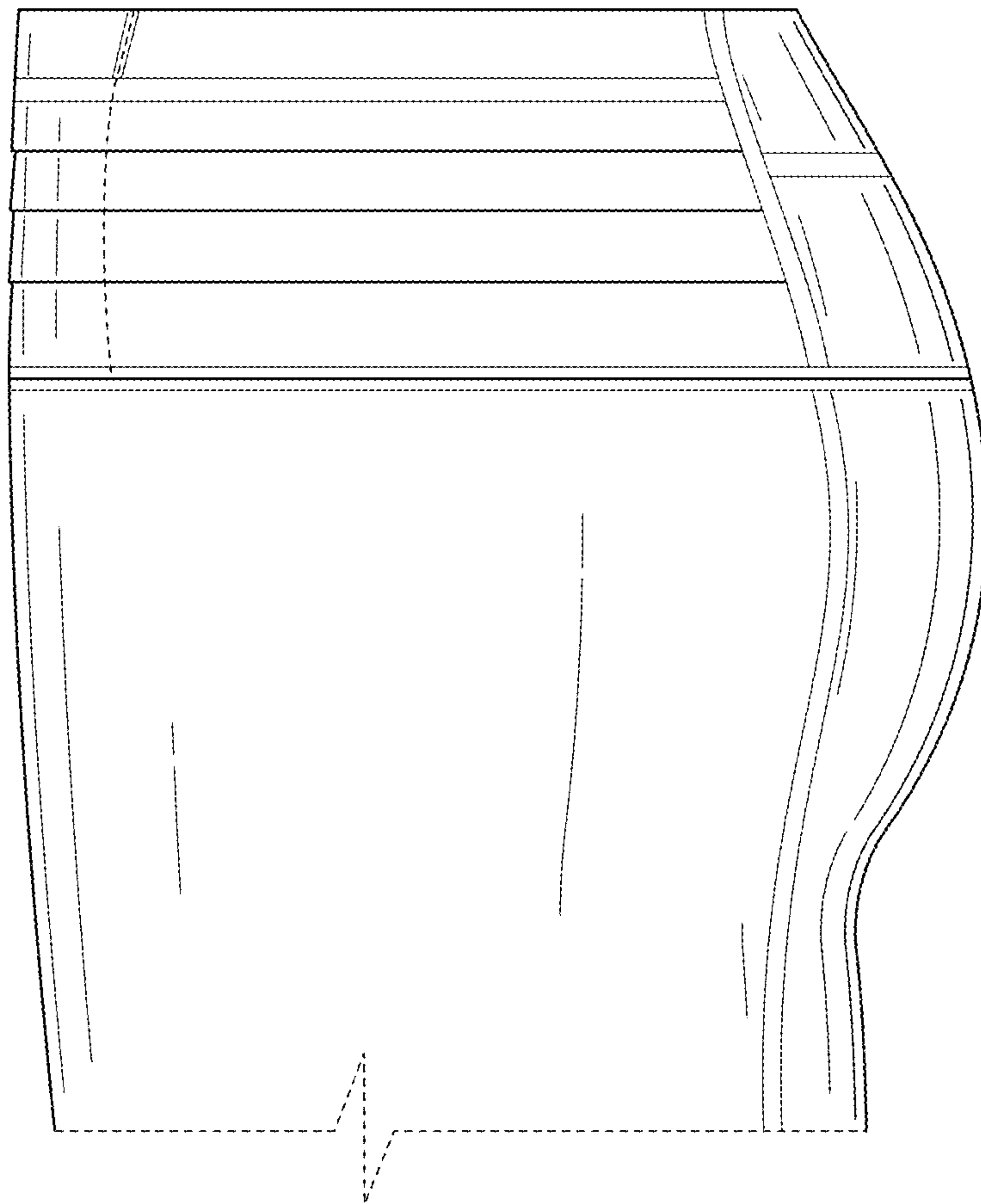
FIG. 1



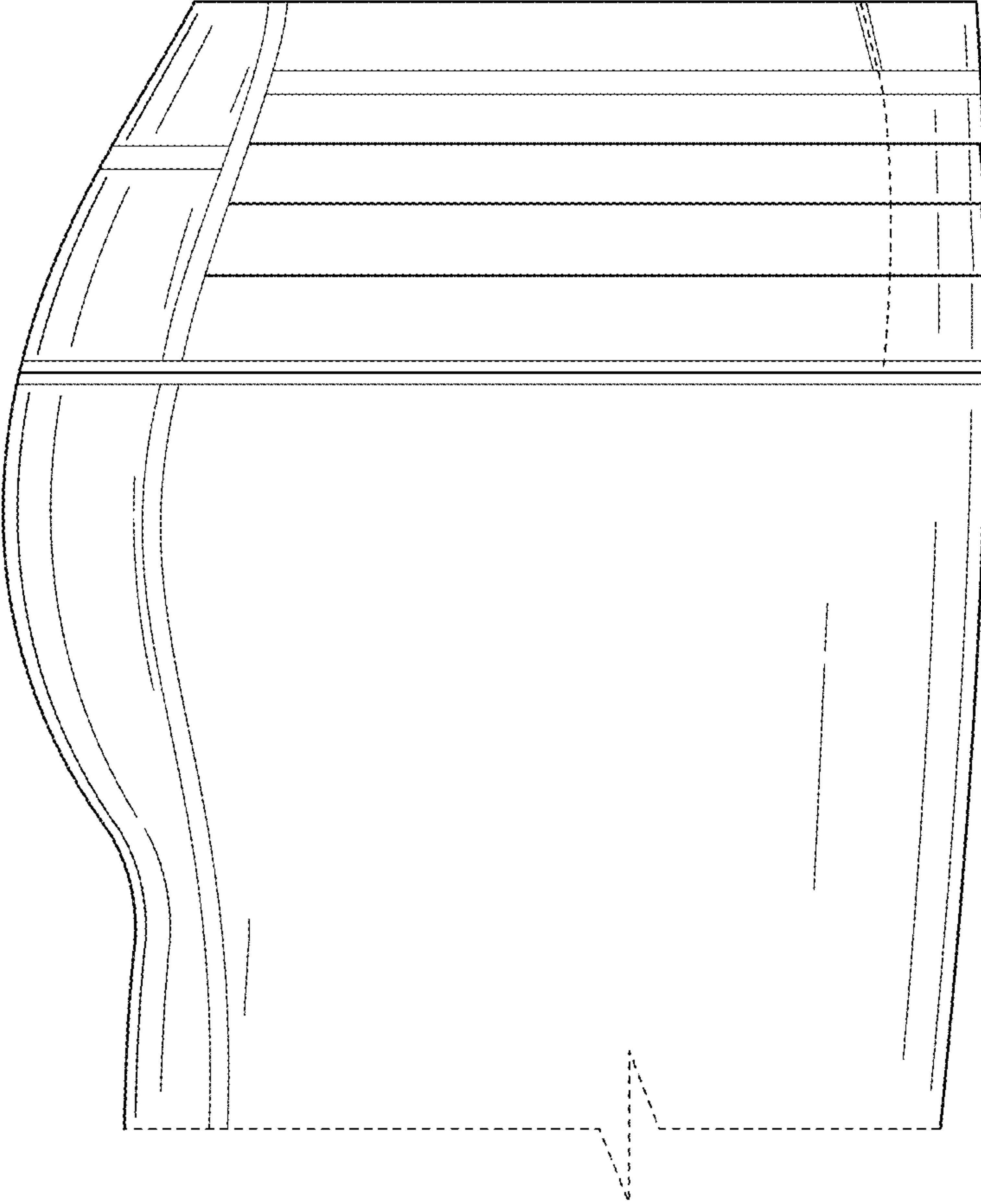
**FIG. 3**



**FIG. 4**

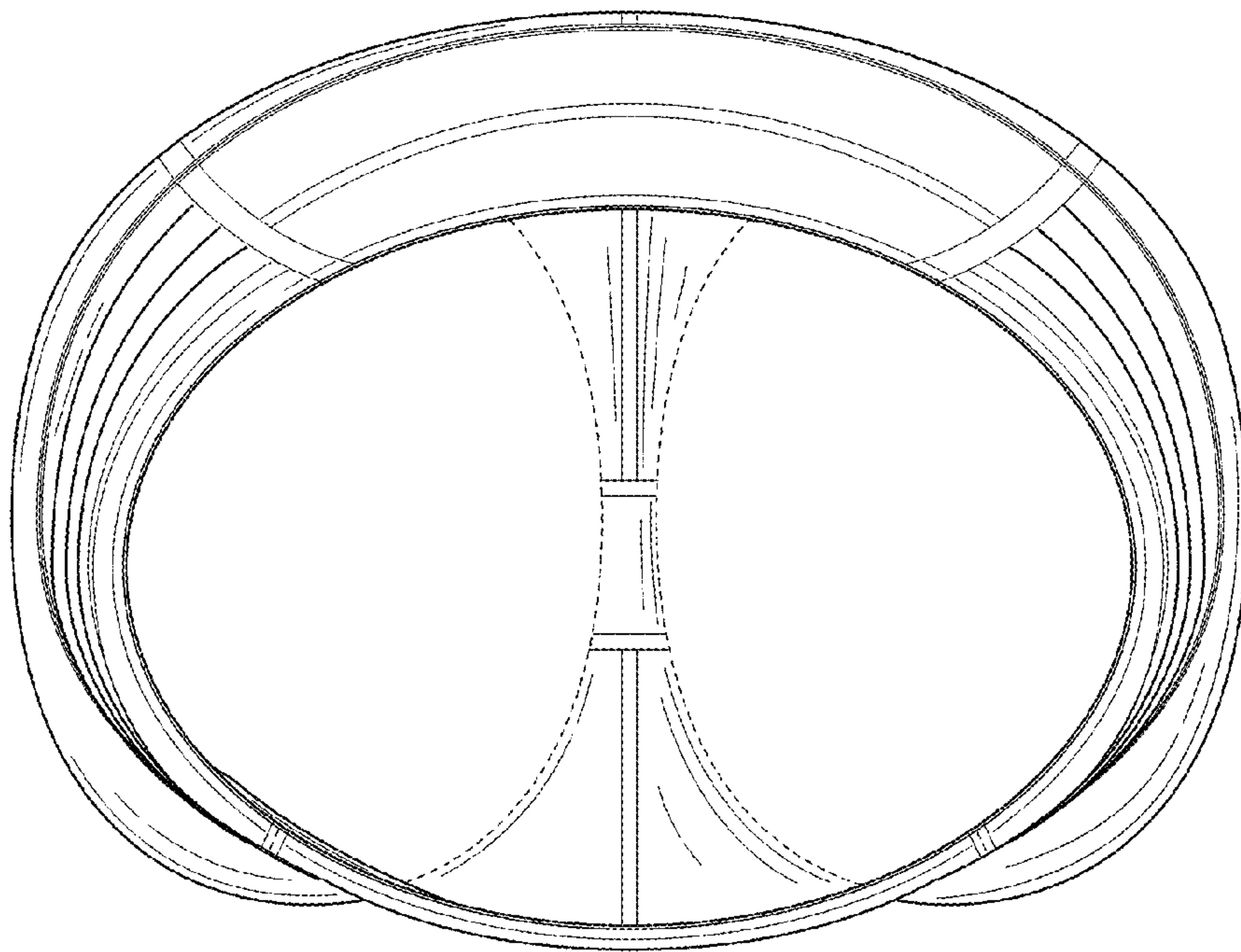


**FIG. 5**

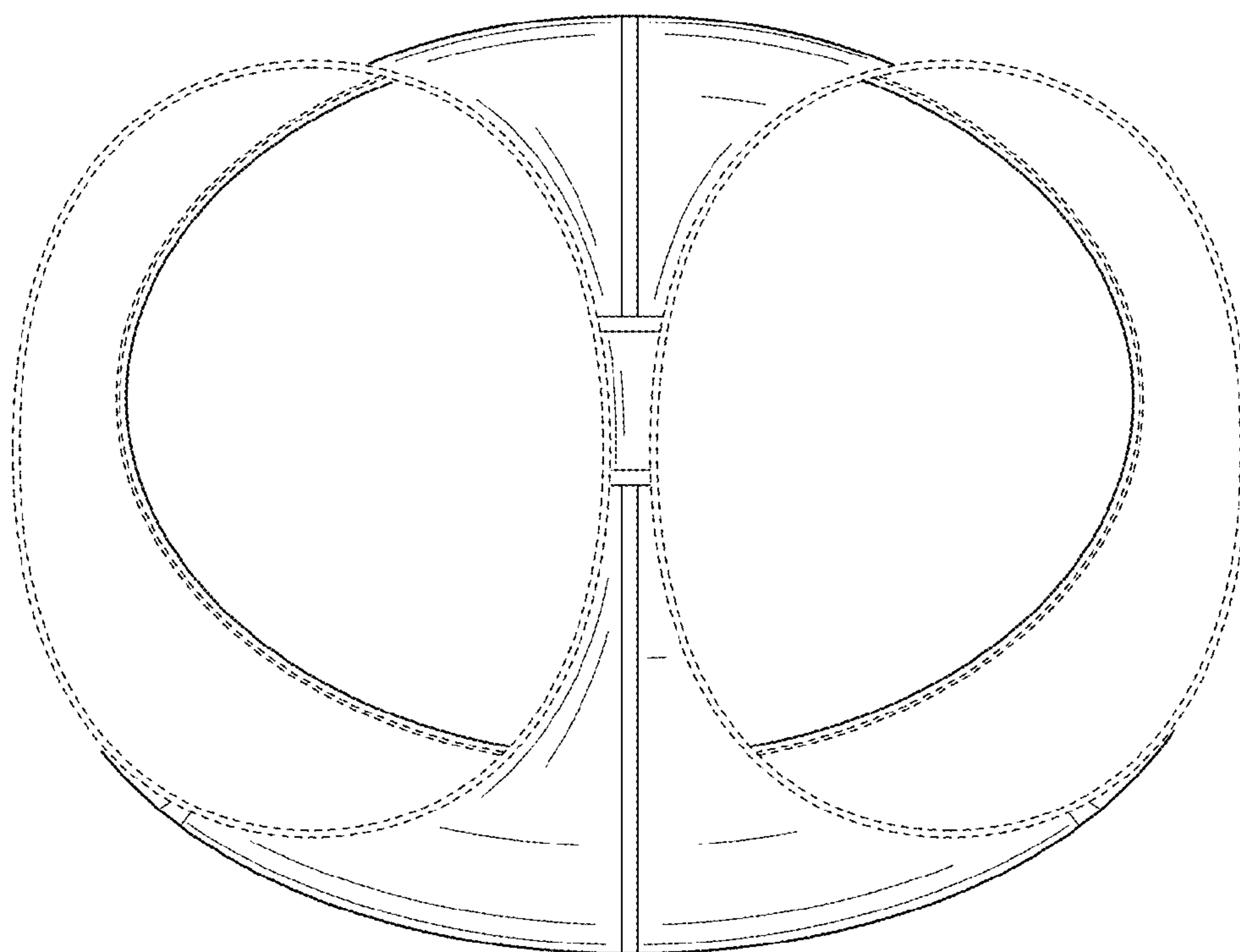


**FIG. 6**





**FIG. 7**



**FIG. 8**