



US00D686797S

(12) **United States Design Patent**  
**Robinson**

(10) **Patent No.:** **US D686,797 S**  
(45) **Date of Patent:** **\*\* Jul. 30, 2013**

(54) **PET TREAT**

(75) Inventor: **Todd Robinson**, Joplin, MO (US)

(73) Assignee: **Mars, Incorporated**, McLean, VA (US)

(\*\*) Term: **14 Years**

(21) Appl. No.: **29/409,636**

(22) Filed: **Dec. 27, 2011**

(51) **LOC (9) Cl.** ..... **01-01**

(52) **U.S. Cl.**  
USPC ..... **D1/106**

(58) **Field of Classification Search**

USPC ..... D1/100–130, 199; 426/92, 94, 95,  
426/99, 101, 138, 139, 143, 275, 282; 249/55,  
249/92; D32/40, 43; D30/160; 119/709, 710;  
D21/405

See application file for complete search history.

(56) **References Cited**

**U.S. PATENT DOCUMENTS**

982,711	A *	1/1911	Ellis	.....	426/104
4,857,333	A *	8/1989	Harold	.....	424/442
D305,950	S *	2/1990	Spiel et al.	.....	D1/106
D343,262	S *	1/1994	Axelrod	.....	D30/160
6,129,053	A *	10/2000	Markham et al.	.....	119/710
D476,808	S *	7/2003	Carr	.....	D3/271.2
7,579,038	B1 *	8/2009	Weinberg	.....	426/656
D619,491	S *	7/2010	Winick	.....	D11/81
D641,248	S *	7/2011	Steger et al.	.....	D9/607

D657,924	S *	4/2012	Soegaard	.....	D32/40
D658,823	S *	5/2012	Viola	.....	D30/160
2010/0083910	A1 *	4/2010	Axelrod et al.	.....	119/709
2011/0048338	A1 *	3/2011	Specht	.....	119/709

\* cited by examiner

*Primary Examiner* — Cathron Brooks

*Assistant Examiner* — Katie Mroczka

(74) *Attorney, Agent, or Firm* — Arent Fox LLP

(57) **CLAIM**

The ornamental design for a pet treat, as shown and described.

**DESCRIPTION**

FIG. 1 is a perspective view of a pet treat showing my new design according to a first embodiment;

FIG. 2 is a top view of the design shown in FIG. 1;

FIG. 3 is a bottom view of the design shown in FIG. 1;

FIG. 4 is a left side view of the design shown in FIG. 1, the right side view being the same;

FIG. 5 is a front view of the design shown in FIG. 1, the back view being the same;

FIG. 6 is a perspective view of a pet treat showing my new design according to a second embodiment;

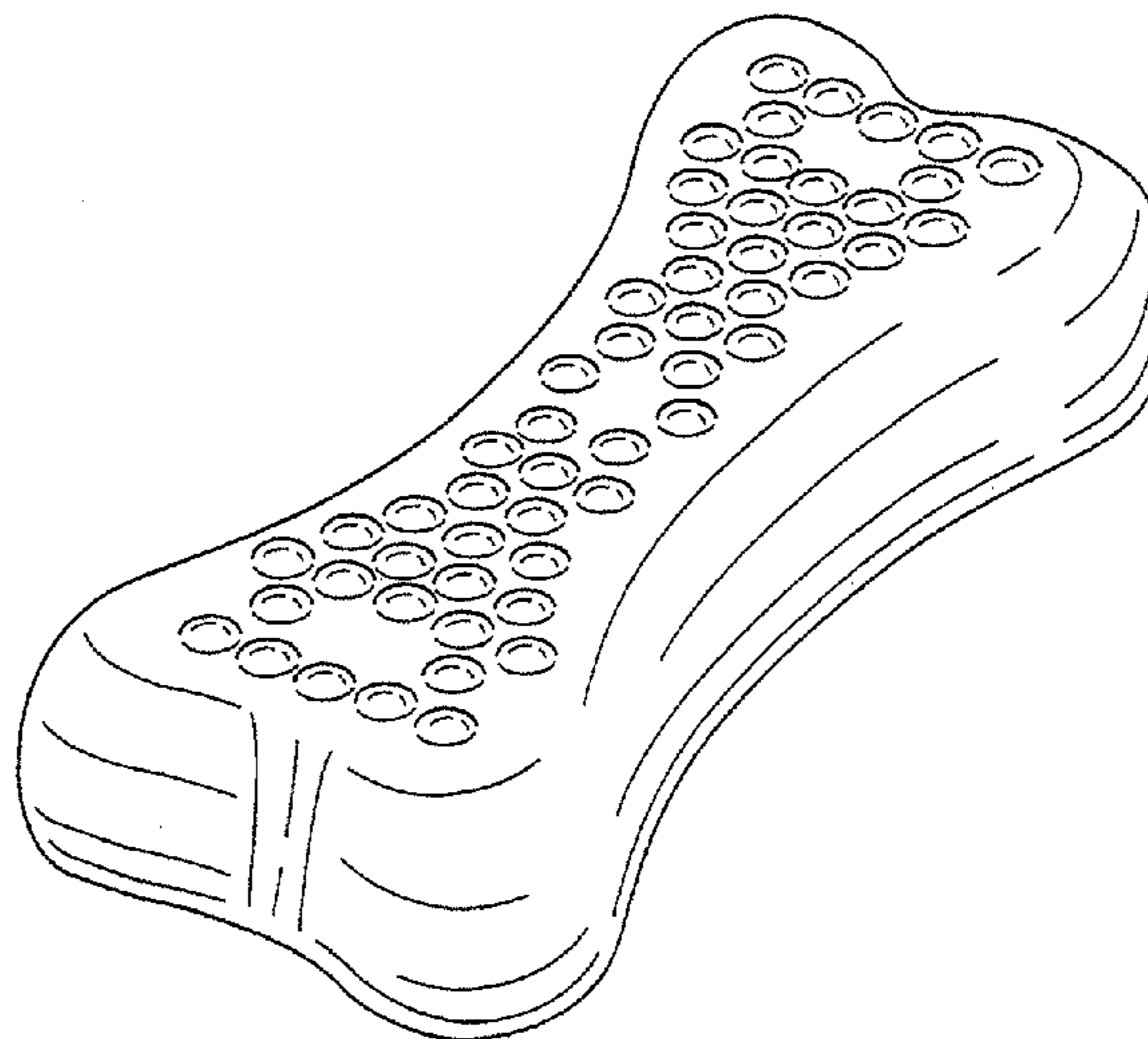
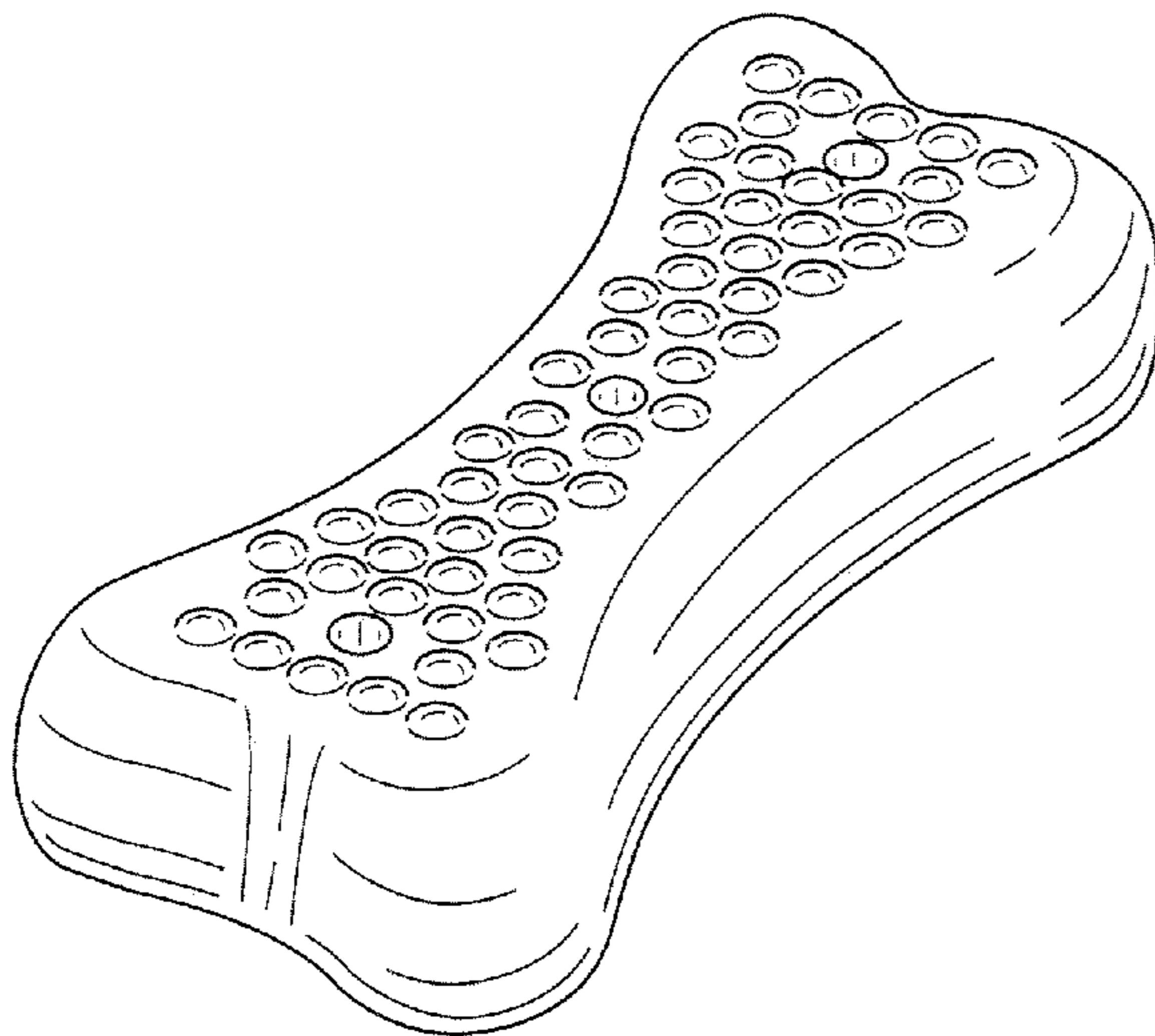
FIG. 7 is a top view of the design shown in FIG. 6;

FIG. 8 is a bottom view of the design shown in FIG. 6;

FIG. 9 is a left side view of the design shown in FIG. 6, the right side view being the same; and,

FIG. 10 is a front view of the design shown in FIG. 6, the back view being the same.

**1 Claim, 6 Drawing Sheets**



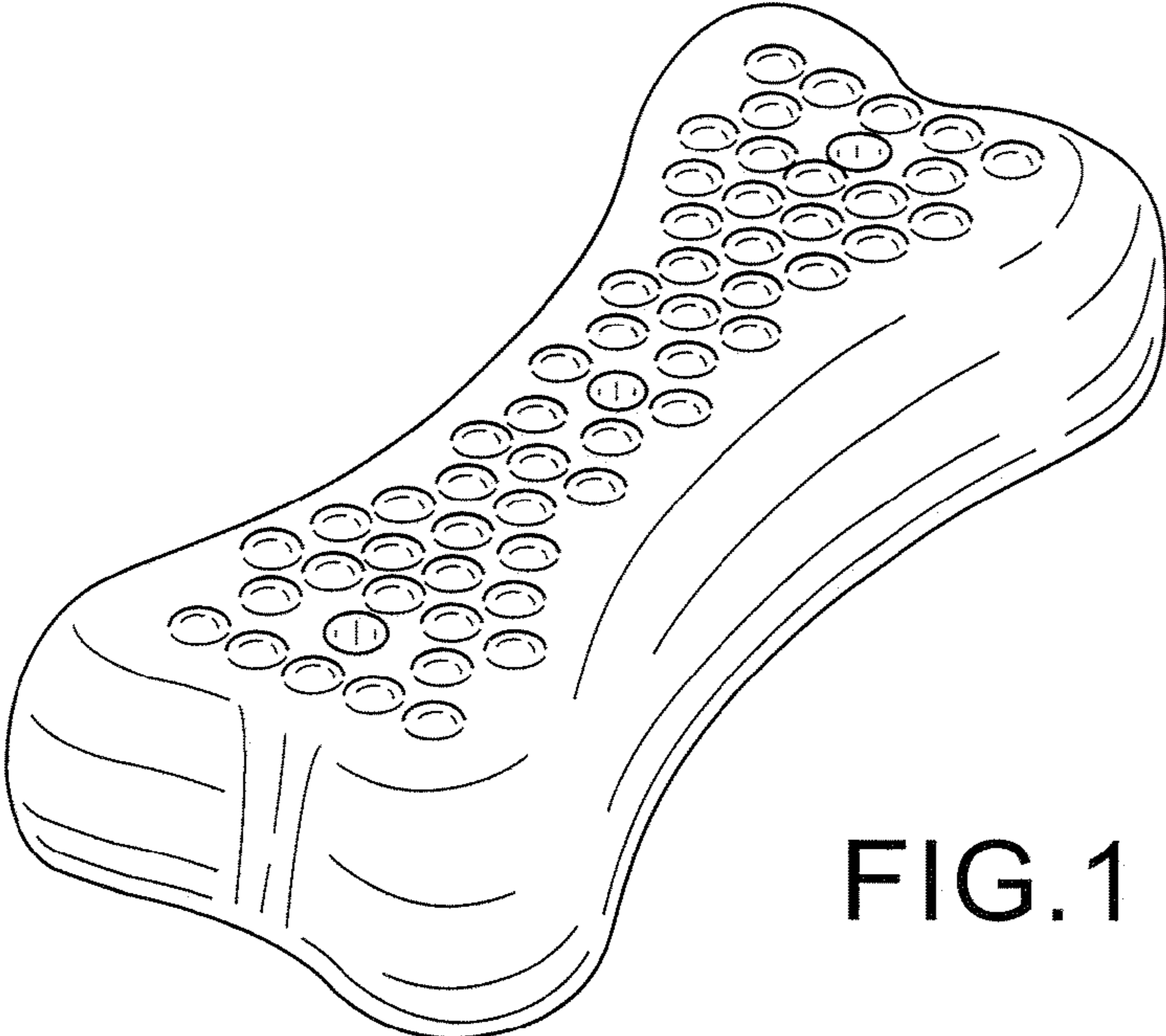


FIG. 1

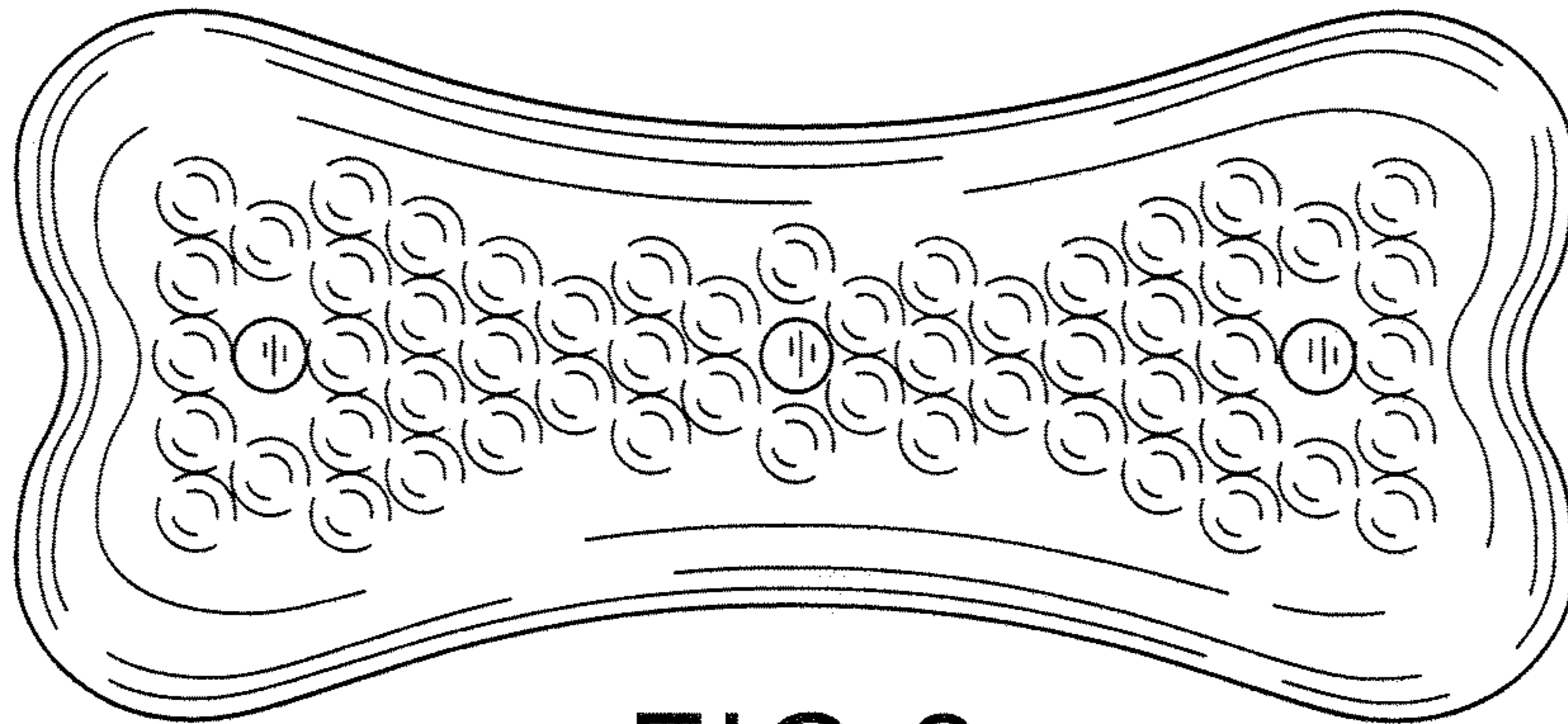


FIG. 2

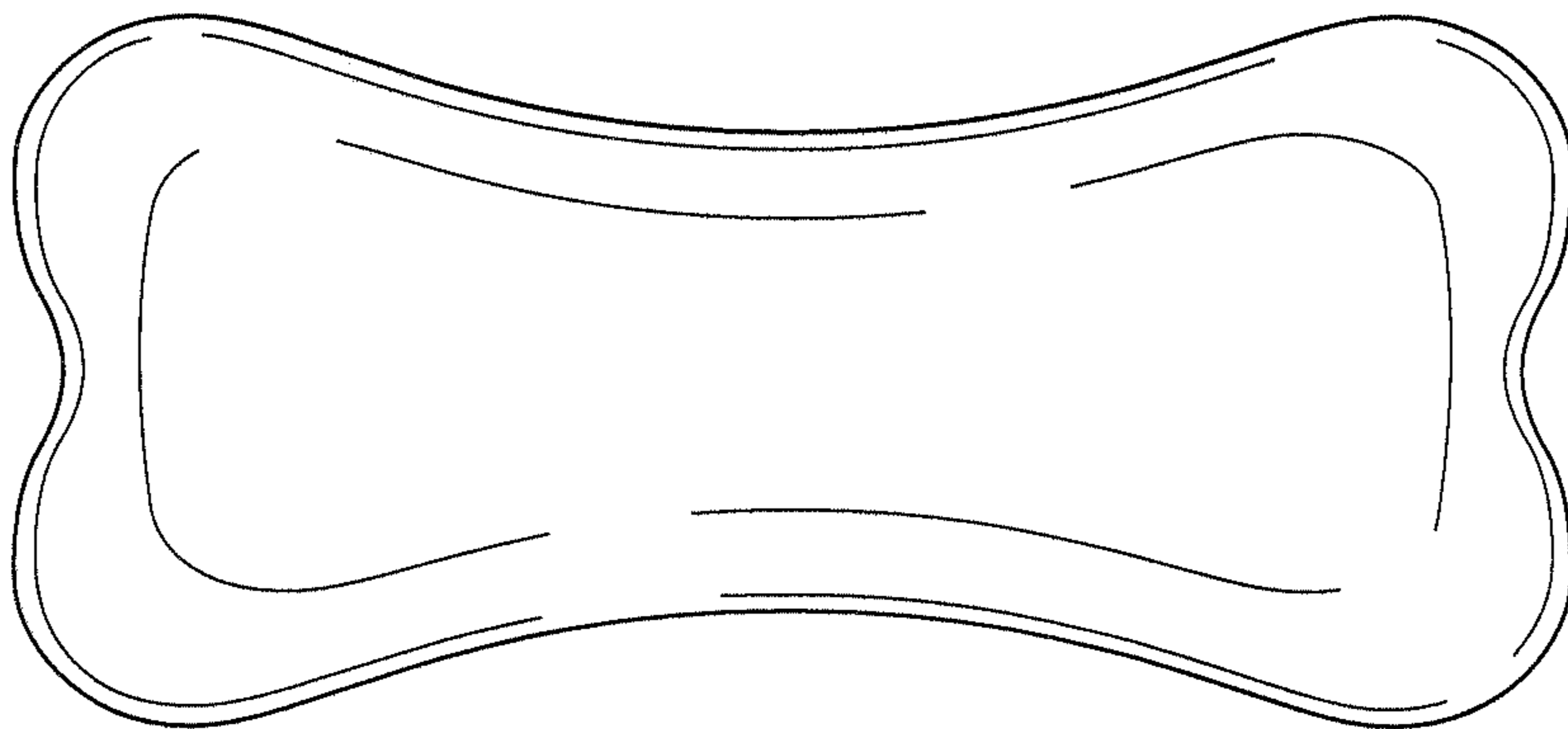


FIG. 3

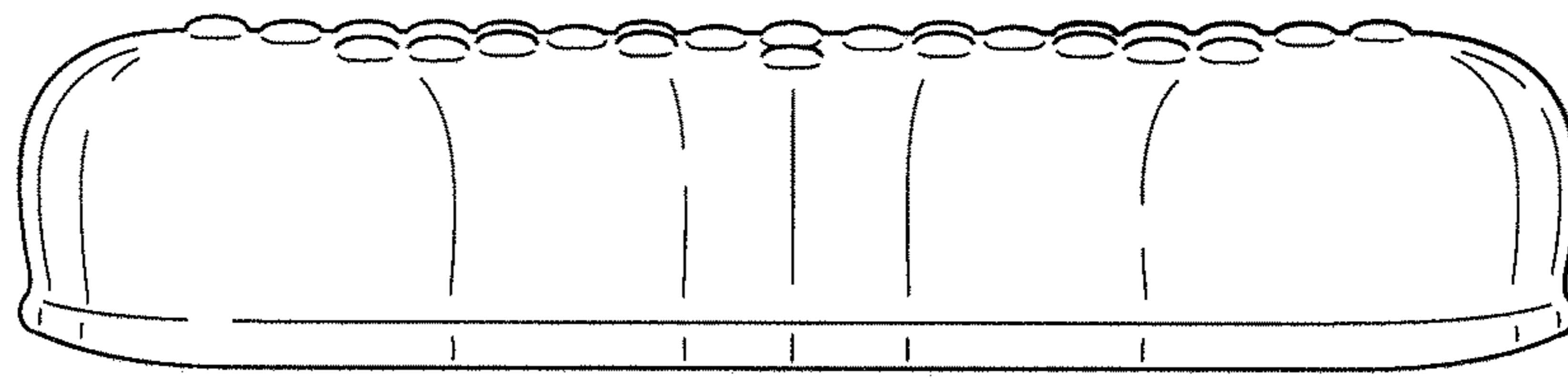


FIG. 4

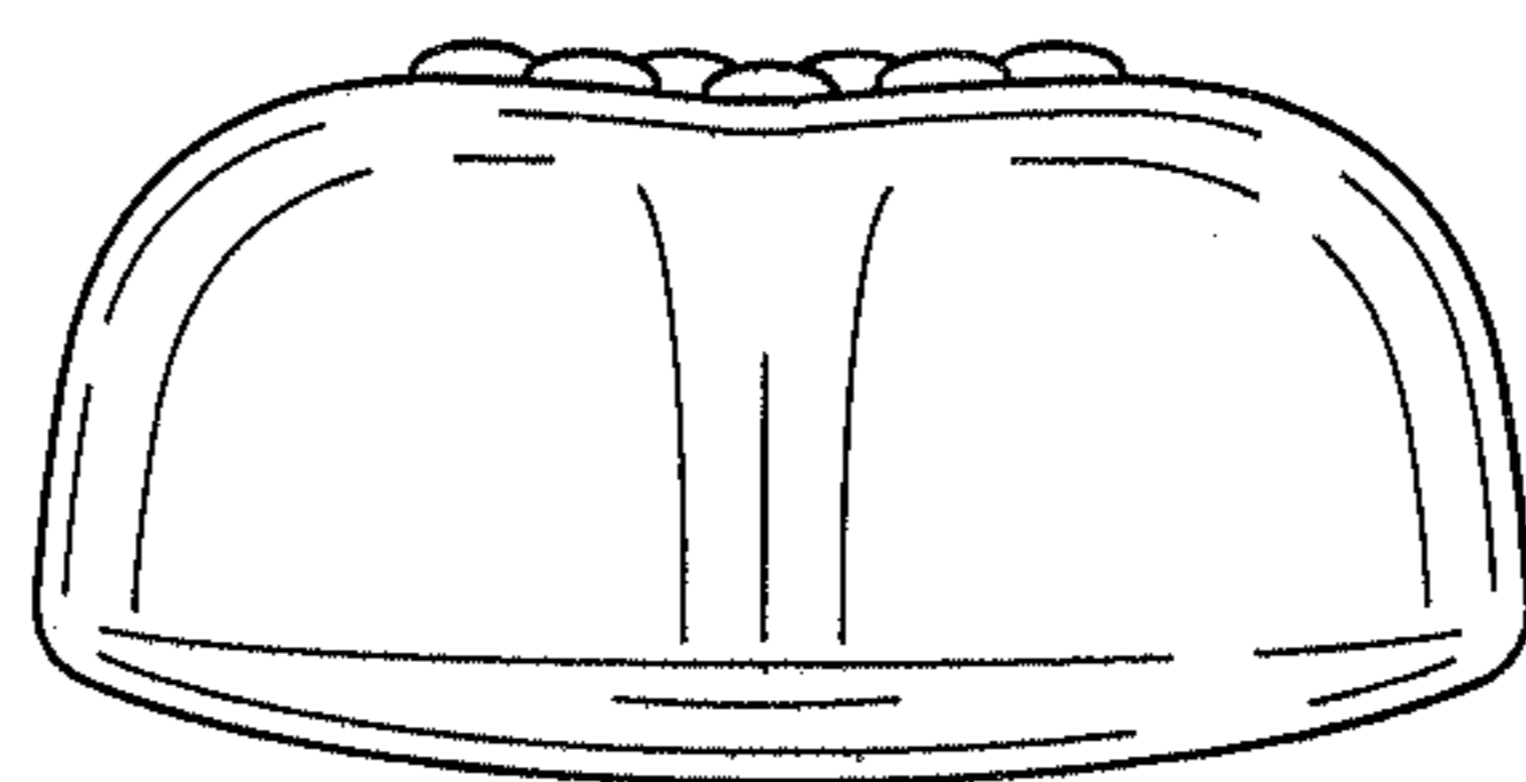


FIG. 5

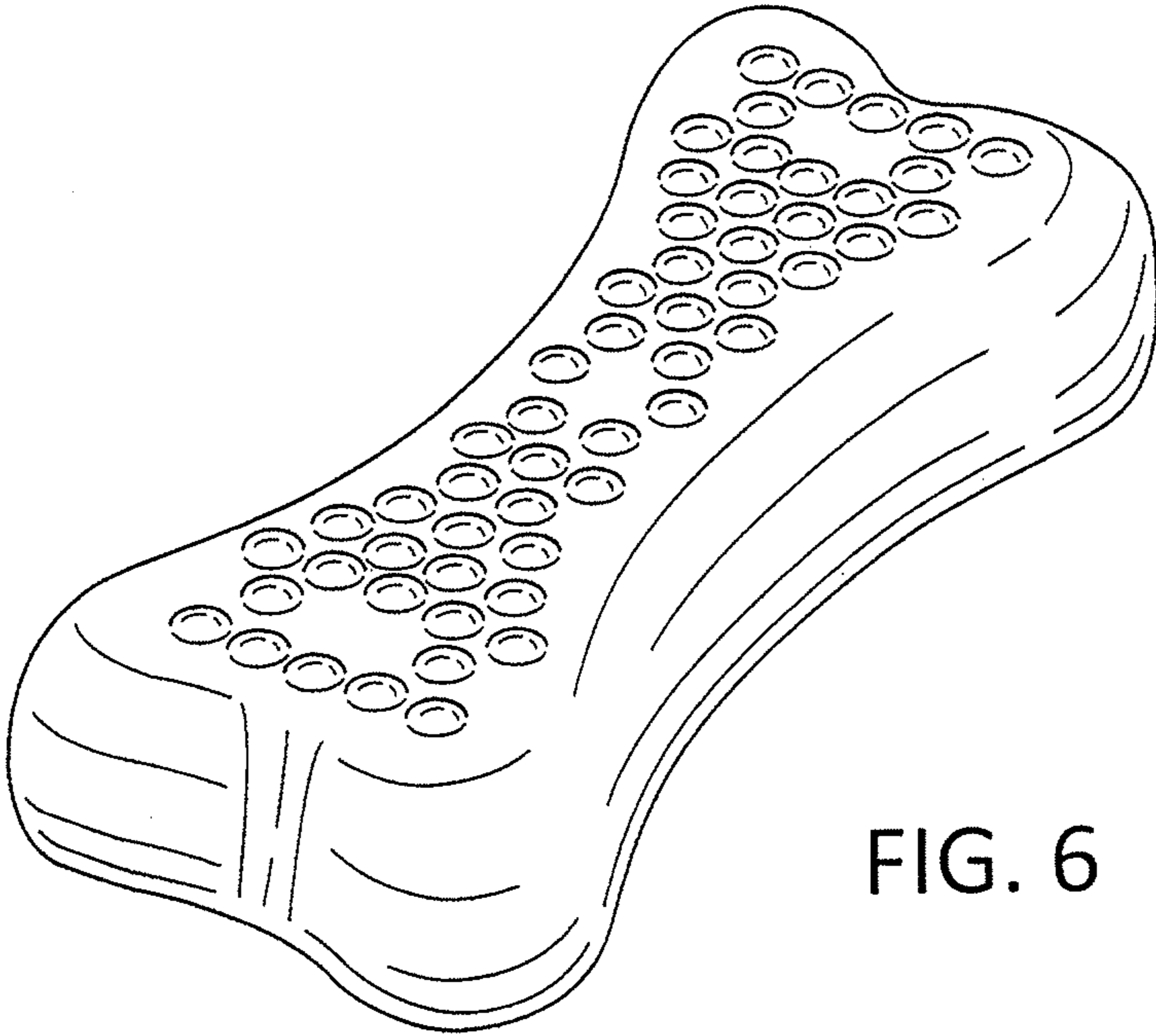


FIG. 6



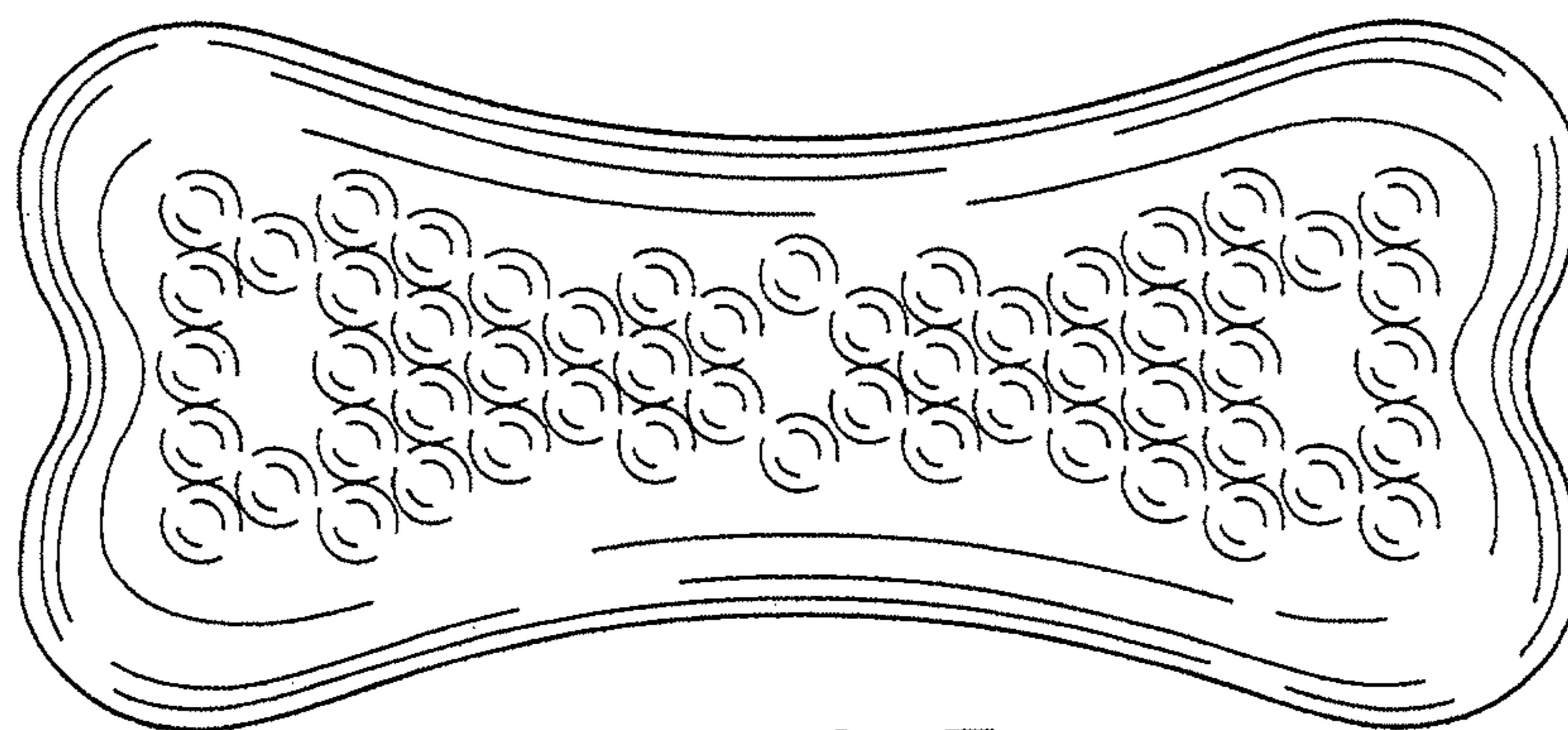


FIG. 7

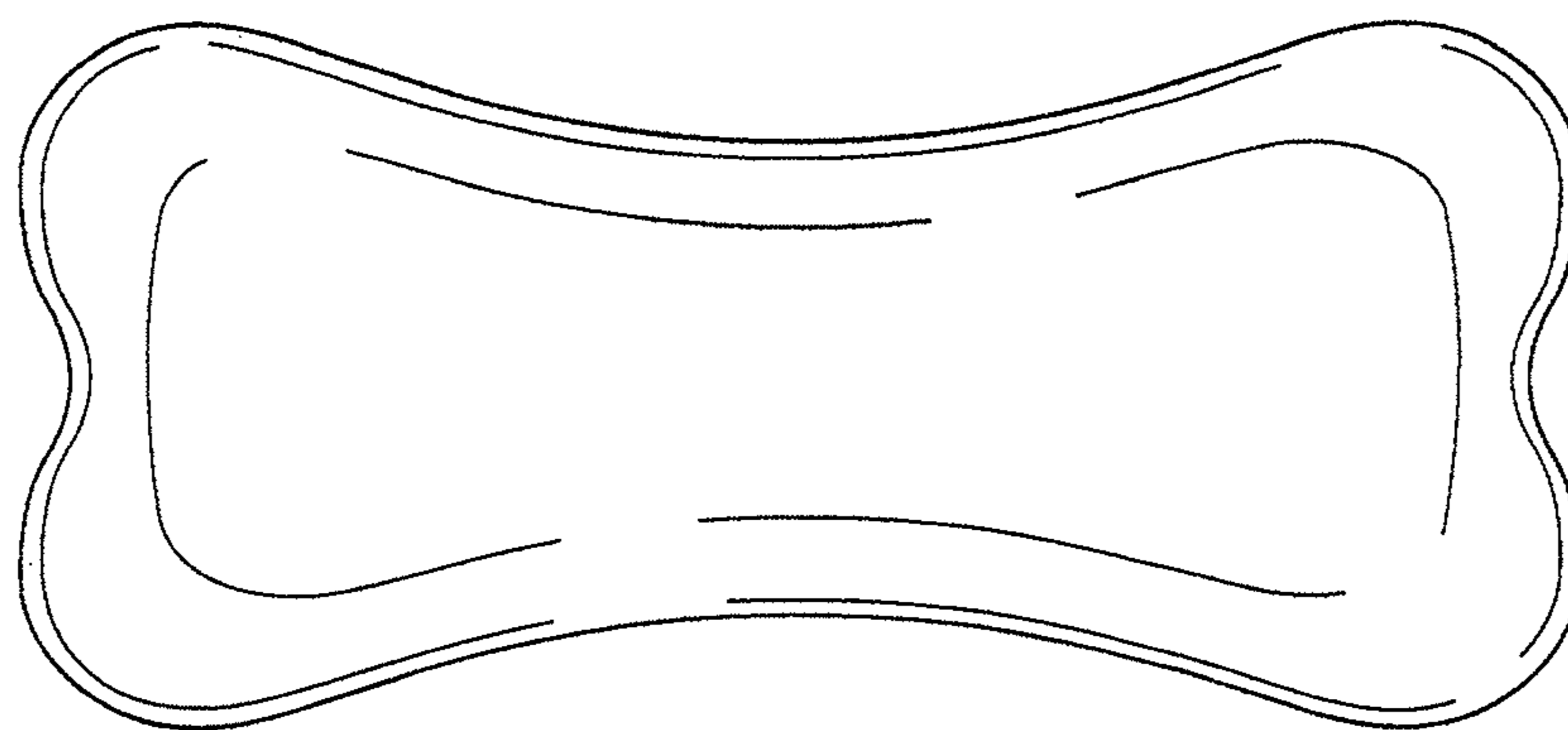


FIG. 8

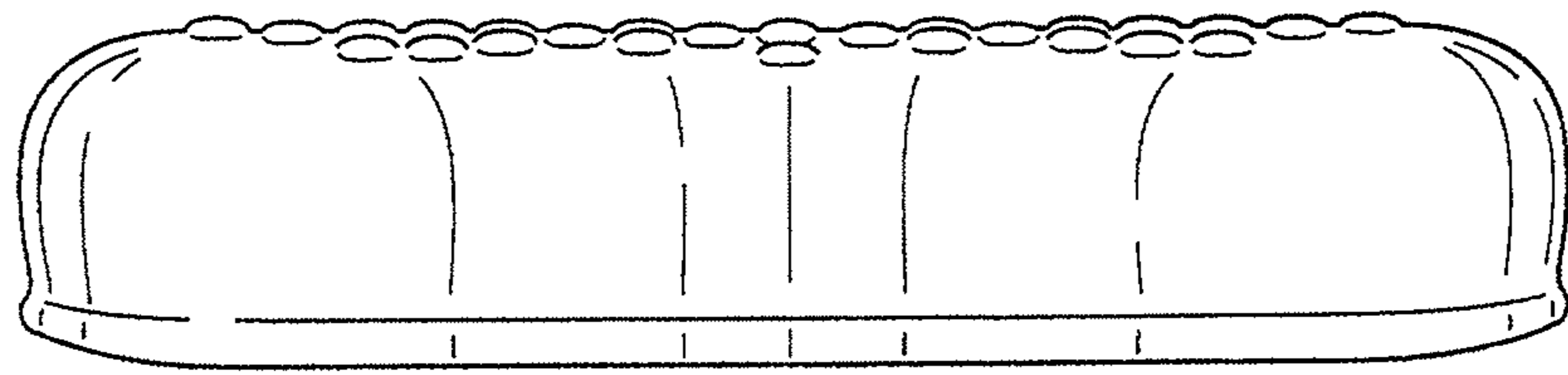


FIG. 9

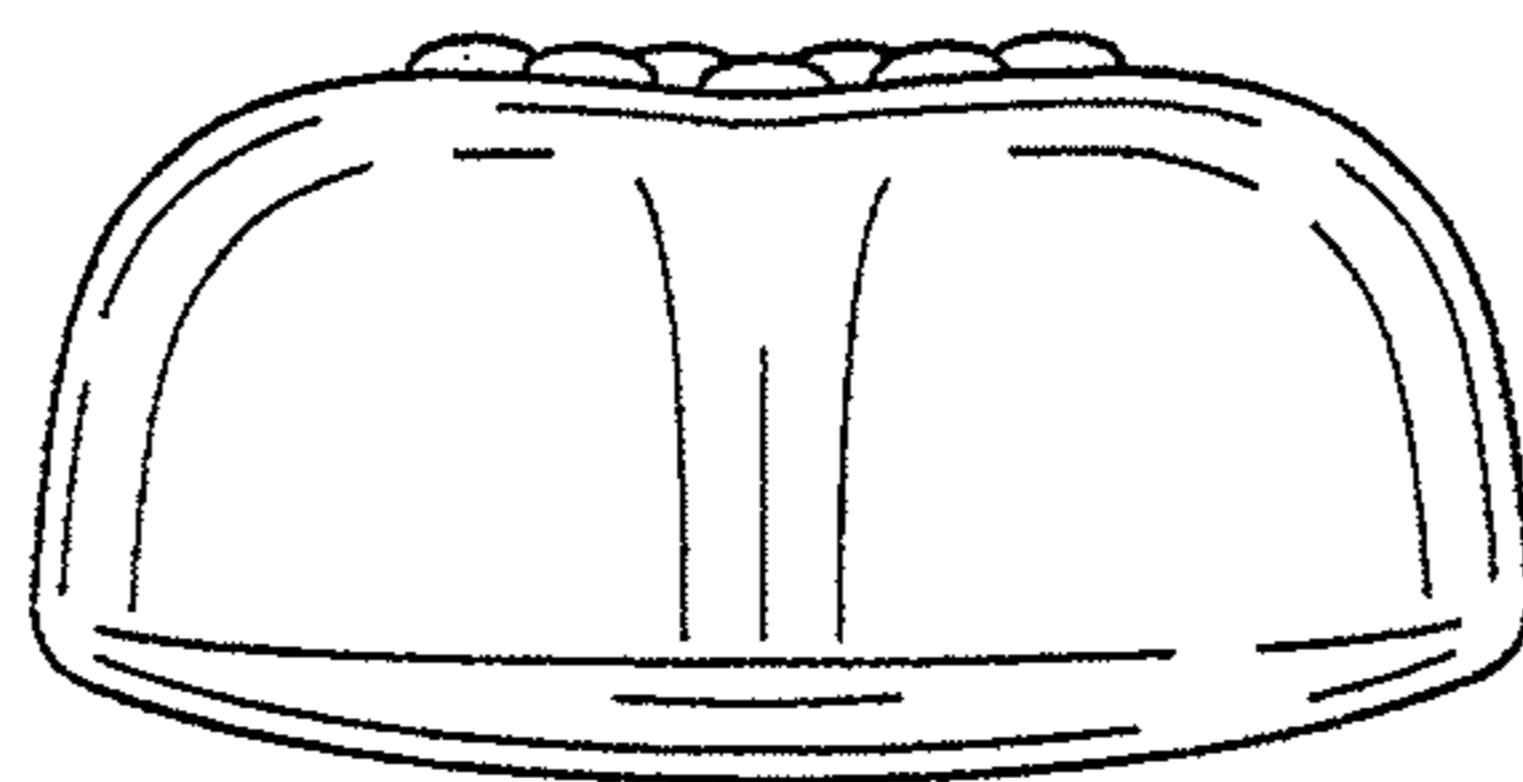


FIG. 10