



US00D686794S

(12) **United States Design Patent**  
**Koberg**

(10) **Patent No.:** **US D686,794 S**  
(45) **Date of Patent:** **\*\* Jul. 23, 2013**

(54) **COMBINED STABILIZER PAD AND HANDLE APPARATUS**

(71) Applicant: **Richard and Carolyn Koberg Living Trust**, Panora, IA (US)

(72) Inventor: **Richard Koberg**, Panora, IA (US)

(73) Assignee: **Richard and Carolyn Koberg Living Trust**, Panora, IA (US)

(\*\*) Term: **14 Years**

(21) Appl. No.: **29/433,634**

(22) Filed: **Oct. 2, 2012**

(51) **LOC (9) Cl.** ..... **12-05**

(52) **U.S. Cl.**  
USPC ..... **D34/35**

(58) **Field of Classification Search**  
USPC .. D34/28, 33, 35, 31; D9/456, 455; 108/51.3, 108/52.1, 53.1, 53.3, 53.5, 55.1, 57.3; 254/88, 254/94, DIG. 1; 248/346.02, 346.01; D12/203, D12/217, 400  
See application file for complete search history.

(56) **References Cited**

U.S. PATENT DOCUMENTS

1,325,964	A *	12/1919	Templeton	.....	254/111
1,350,970	A *	8/1920	Hutchison et al.	.....	248/346.03
D282,241	S	1/1986	Sauber		
D283,790	S *	5/1986	Lemkin et al.	.....	D9/737
D306,419	S *	3/1990	Merritt	.....	D12/120
D357,650	S *	4/1995	Evans et al.	.....	D12/106
D432,284	S *	10/2000	Lux, Jr.	.....	D34/38
7,040,659	B2	5/2006	Lagsdin		
7,073,821	B2	7/2006	Lagsdin		
7,172,216	B1	2/2007	Lagsdin		
7,398,664	B1	7/2008	Weinerman		
D577,648	S *	9/2008	Shaw	.....	D12/203
7,802,814	B2	9/2010	Lagsdin		
D668,423	S *	10/2012	Brockington et al.	.....	D34/31
2006/0185408	A1	8/2006	Graham		

OTHER PUBLICATIONS

Photographs—three—of prototype of handle (photo1) and of multiple stabilizer pads stacked one on the other (photos 2 and 3), non-confidential disclosure offer for sale occurring Mar. 17, 2011. Koberg, U.S. Appl. No. 13/633,576, filed Oct. 2, 2012.

\* cited by examiner

*Primary Examiner* — Cynthia Ramirez

(74) *Attorney, Agent, or Firm* — Patricia A. Sweeney

(57) **CLAIM**

The ornamental design for a combined stabilizer pad and handle apparatus, as shown and described.

**DESCRIPTION**

FIG. 1 is a perspective view of the combined stabilizer pad and handle apparatus showing a first embodiment of the design;

FIG. 2 is a top view of the first embodiment of the design;

FIG. 3 is a front elevation view of the first embodiment of the design;

FIG. 4 is a side elevation view of the first embodiment of the design, the opposite side elevation would be a mirror image;

FIG. 5 is a perspective view of a second embodiment of the design;

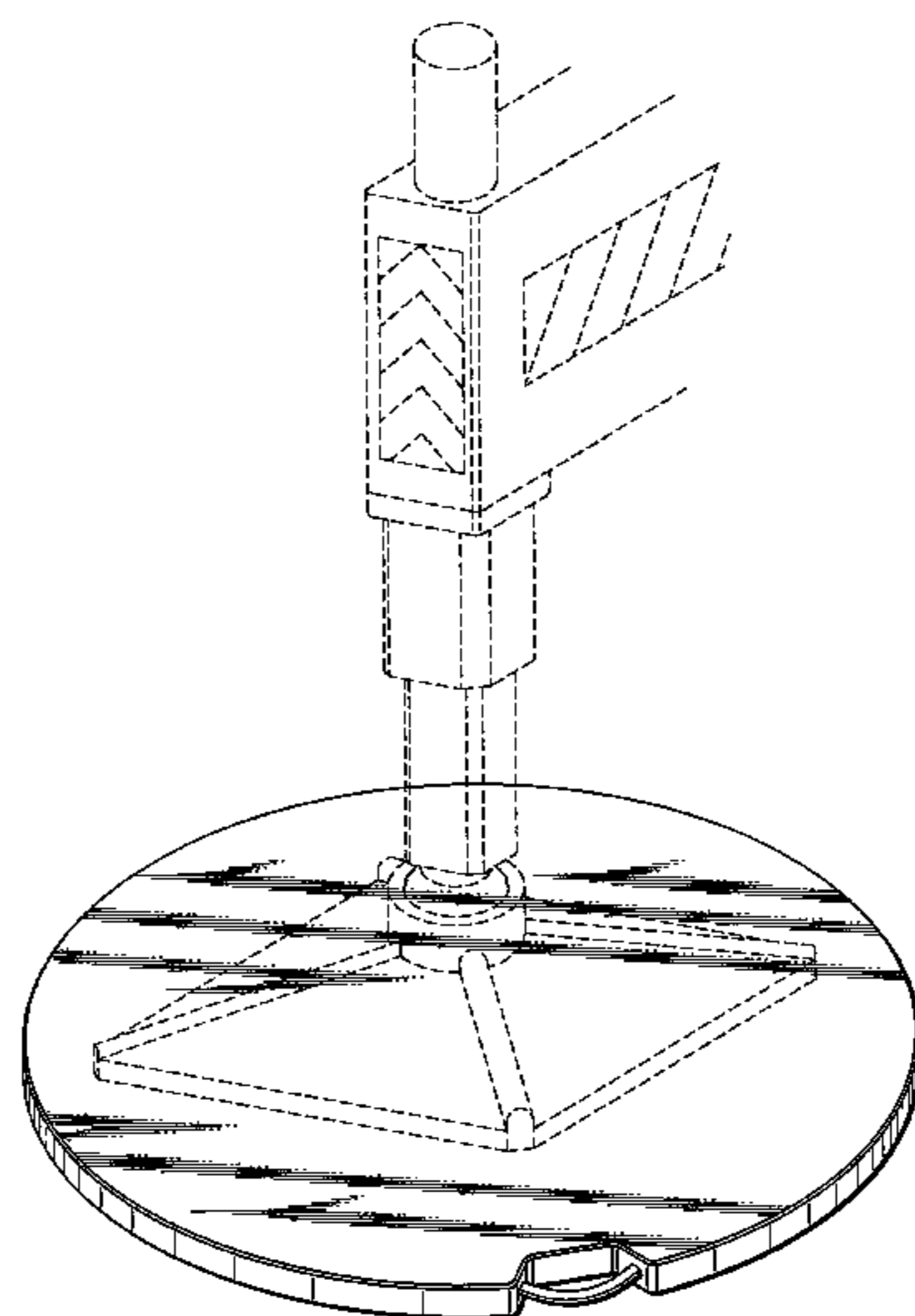
FIG. 6 is a top view of the second embodiment of the design; and

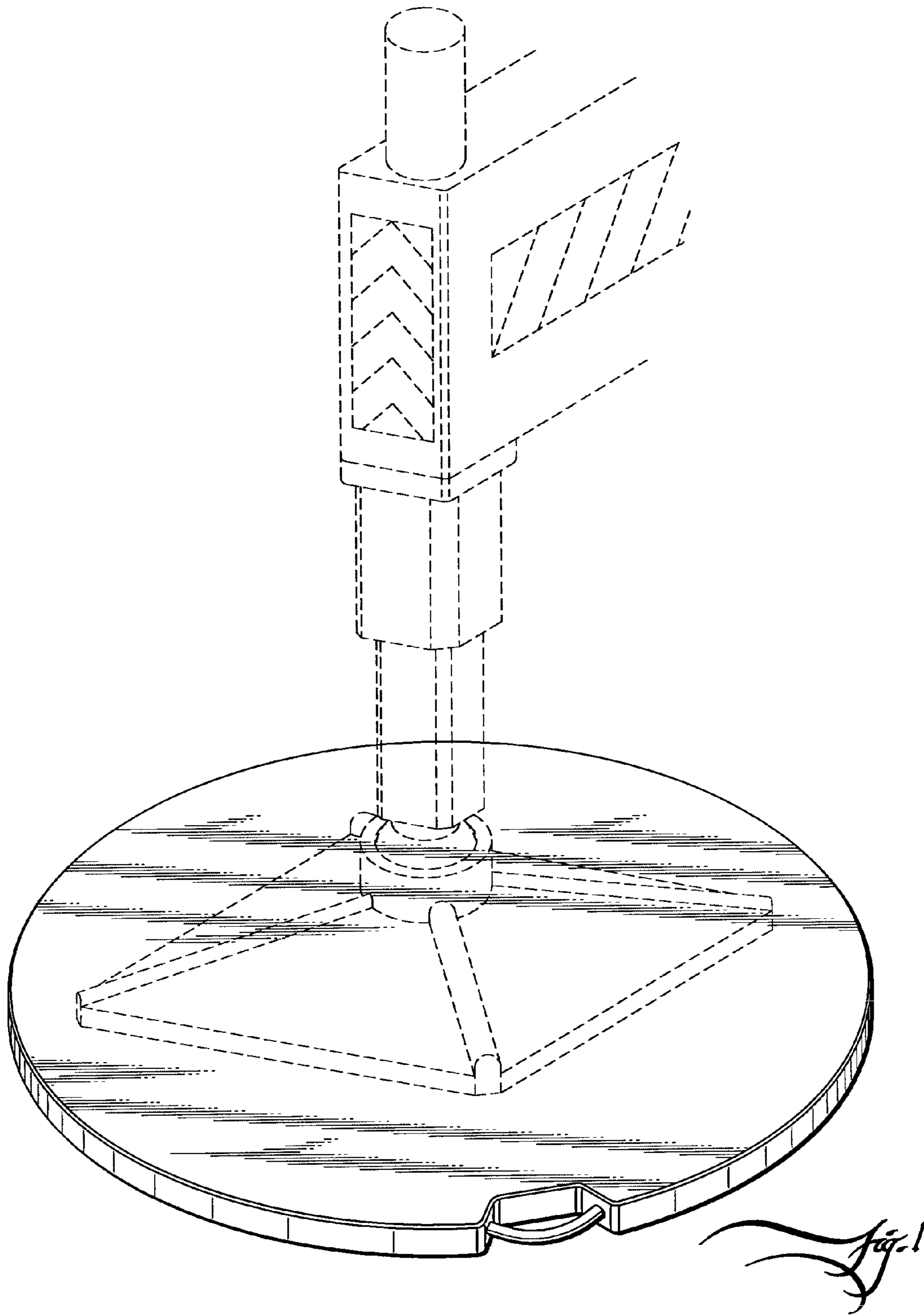
FIG. 7 is a front side elevation view of the second embodiment of the design; and,

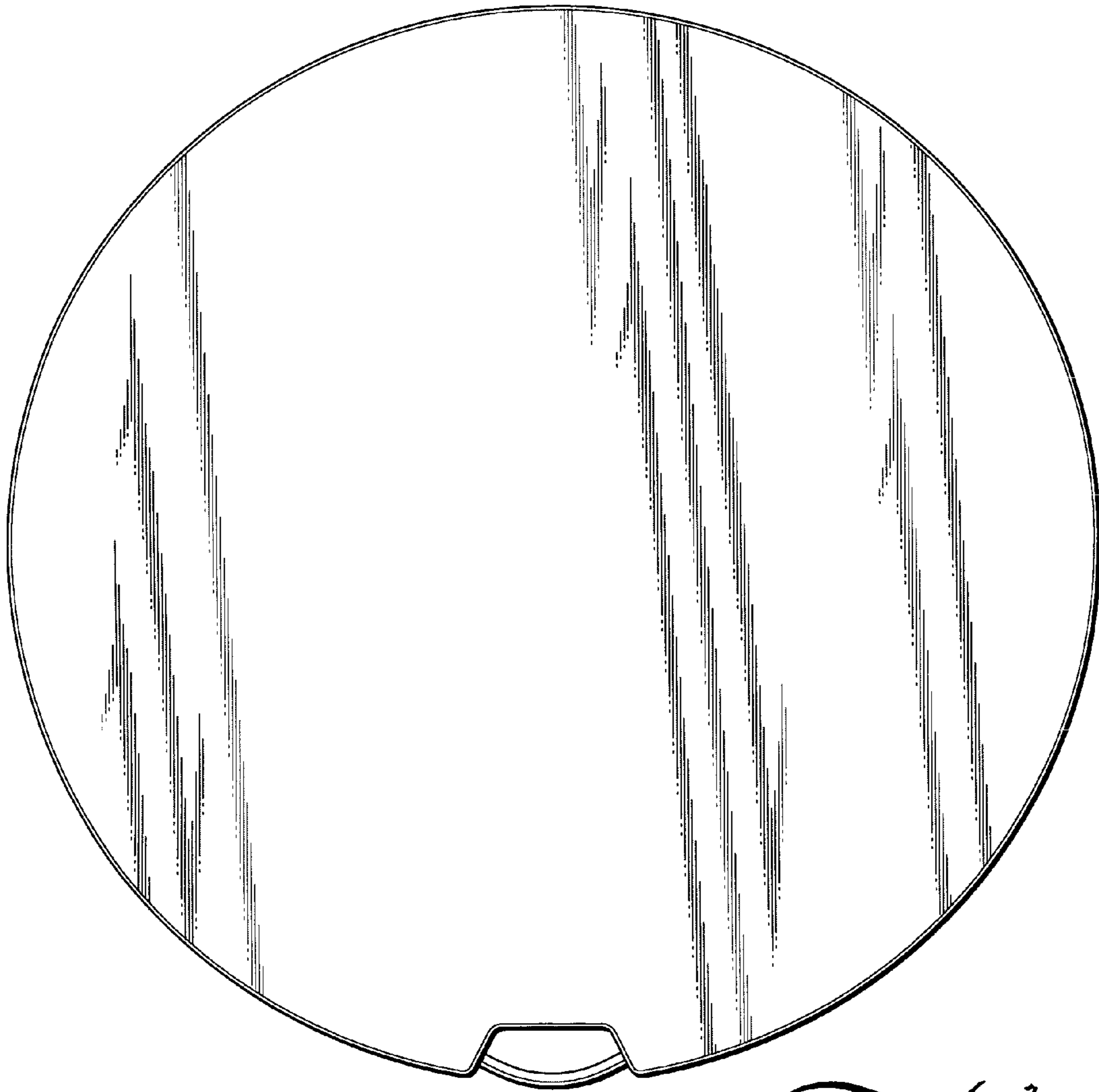
FIG. 8 is a side elevation view of the second embodiment of the design the opposite side elevation would be a mirror image.

The broken lines defining the stabilizer arm and stabilizer platform are shown for illustrative purposes and do not form a part of the claimed design.

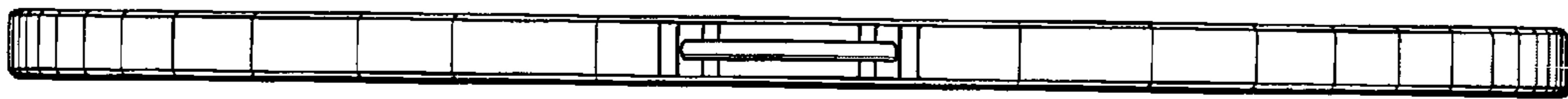
**1 Claim, 6 Drawing Sheets**



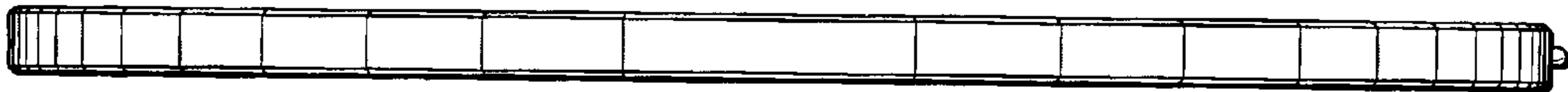




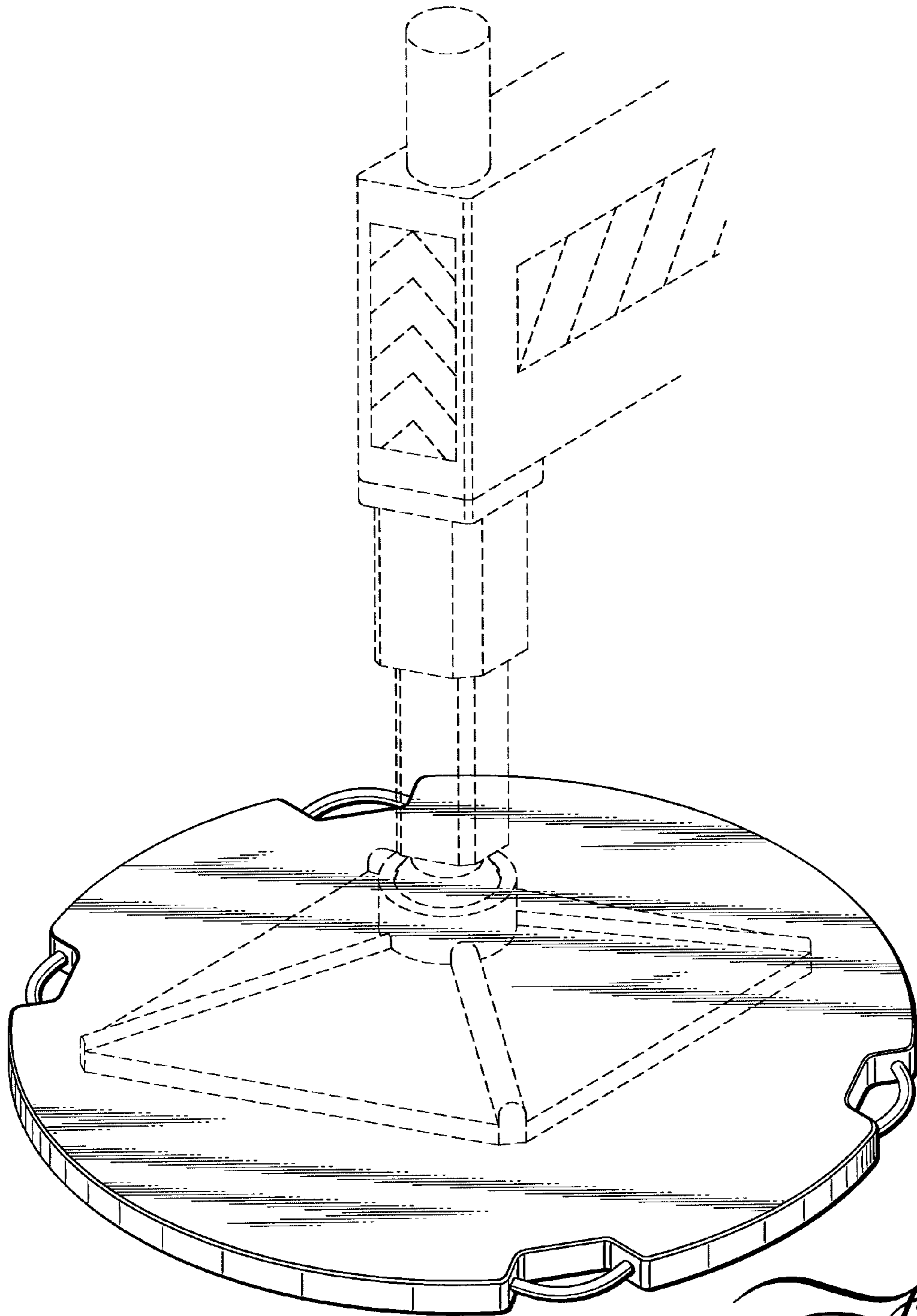
*Fig. 2*



*Fig. 3*

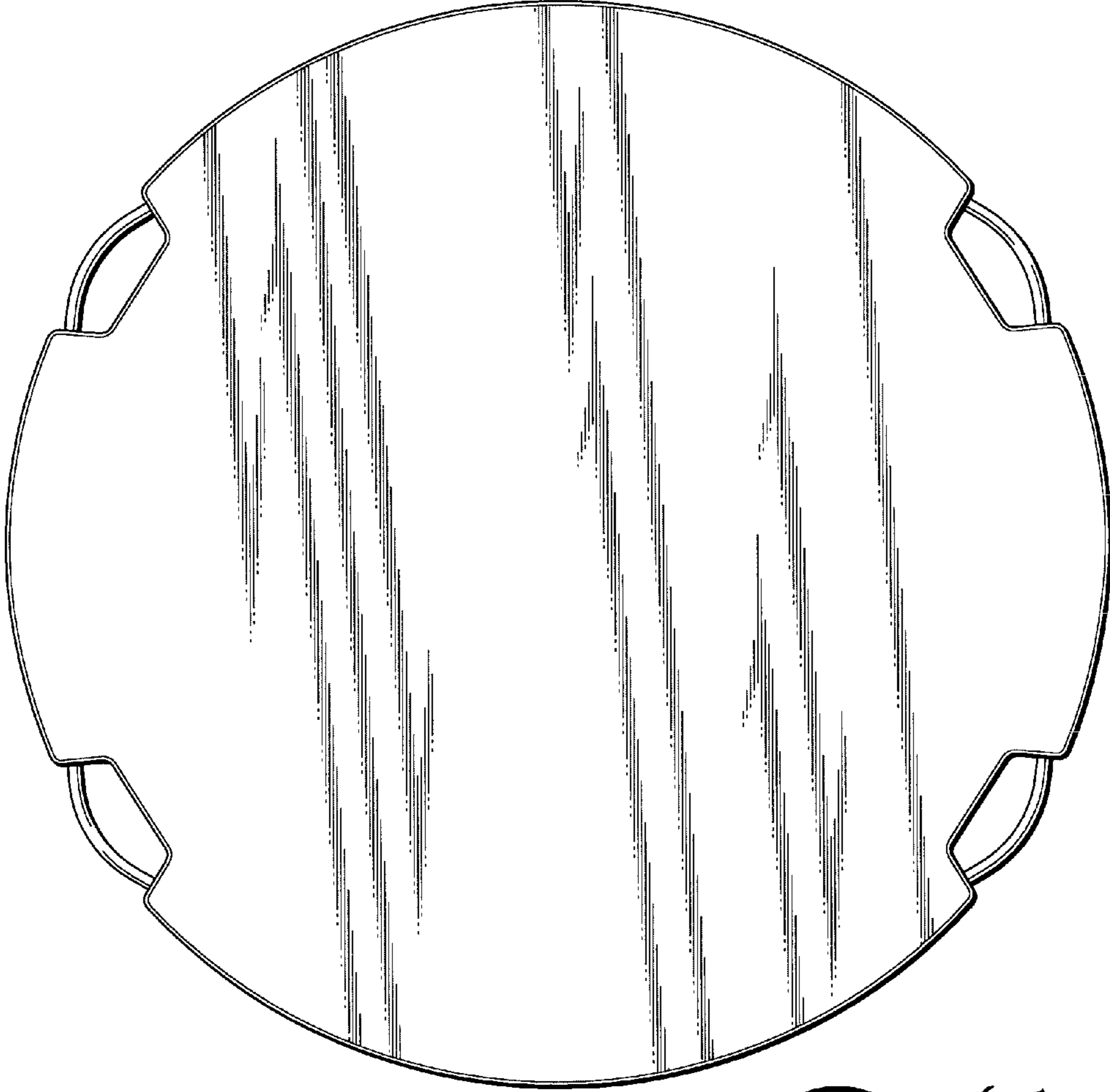


*Fig. 4*

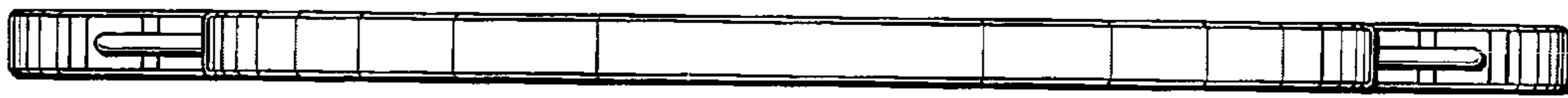


*Fig. 5*

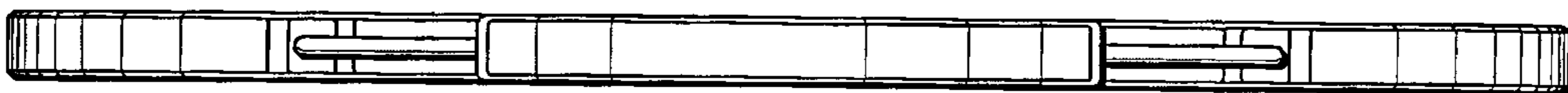




*Fig. 6*



*Fig. 7*



*Fig. 8*