



US00D686792S

(12) **United States Design Patent**
Williams et al.

(10) **Patent No.:** **US D686,792 S**
(45) **Date of Patent:** **** Jul. 23, 2013**

(54) **HANDLE**

(75) Inventors: **Neil P. Williams**, Racine, WI (US);
Steven A. Zach, Waterford, WI (US);
Kristian Buschmann, Chicago, IL (US);
Bridget M. Soldan, Lisle, IL (US)

(73) Assignee: **S.C. Johnson & Son, Inc.**, Racine, WI (US)

(**) Term: **14 Years**

(21) Appl. No.: **29/408,604**

(22) Filed: **Dec. 14, 2011**

(51) **LOC (9) Cl.** **04-01**

(52) **U.S. Cl.**
USPC **D32/51; D32/52**

(58) **Field of Classification Search**
USPC D32/50-52, 40, 44, 45; 473/301,
473/302; 15/143.1, 119.2, 120.1, 120.2, 116.1,
15/116.2, 150, 209.1-210.1; 401/137-140
See application file for complete search history.

(56) **References Cited**

U.S. PATENT DOCUMENTS

| | | | |
|--------------|---------|-----------------|--------|
| D394,353 S | 5/1998 | Berti | |
| 6,292,979 B1 | 9/2001 | Kuo | |
| D449,909 S | 10/2001 | Randolph et al. | |
| D451,341 S | 12/2001 | Wentland et al. | |
| D451,343 S | 12/2001 | Wentlant et al. | |
| D470,283 S | 2/2003 | Vosbikian | |
| 6,595,713 B1 | 7/2003 | Wilson | |
| D483,186 S * | 12/2003 | Libman et al. | D4/138 |
| D483,630 S * | 12/2003 | Choi | D8/10 |
| D495,498 S | 9/2004 | Berti | |
| D500,927 S | 1/2005 | Hay | |
| 6,854,919 B2 | 2/2005 | Neumann et al. | |
| D503,540 S | 4/2005 | Barber | |

(Continued)

FOREIGN PATENT DOCUMENTS

| | | |
|----|------------|---------|
| WO | 2006011234 | 2/2006 |
| WO | 2007046252 | 4/2007 |
| WO | 2007066739 | 6/2007 |
| WO | 2010134593 | 11/2010 |

Primary Examiner — John Windmuller

(57) **CLAIM**

The ornamental design for a handle, substantially as shown and described.

DESCRIPTION

FIG. 1 is an isometric view of a handle according to the present invention, viewed from above, in front of, and from the left side of the handle;

FIG. 2 is a right side elevation view of the handle of FIG. 1;

FIG. 3 is a left side elevation view of the handle of FIG. 1;

FIG. 4 is front elevation view of the handle of FIG. 1;

FIG. 5 is a rear elevation view of the handle of FIG. 1;

FIG. 6 is a top plan view of the handle of FIG. 1;

FIG. 7 is a bottom plan of the handle of FIG. 1;

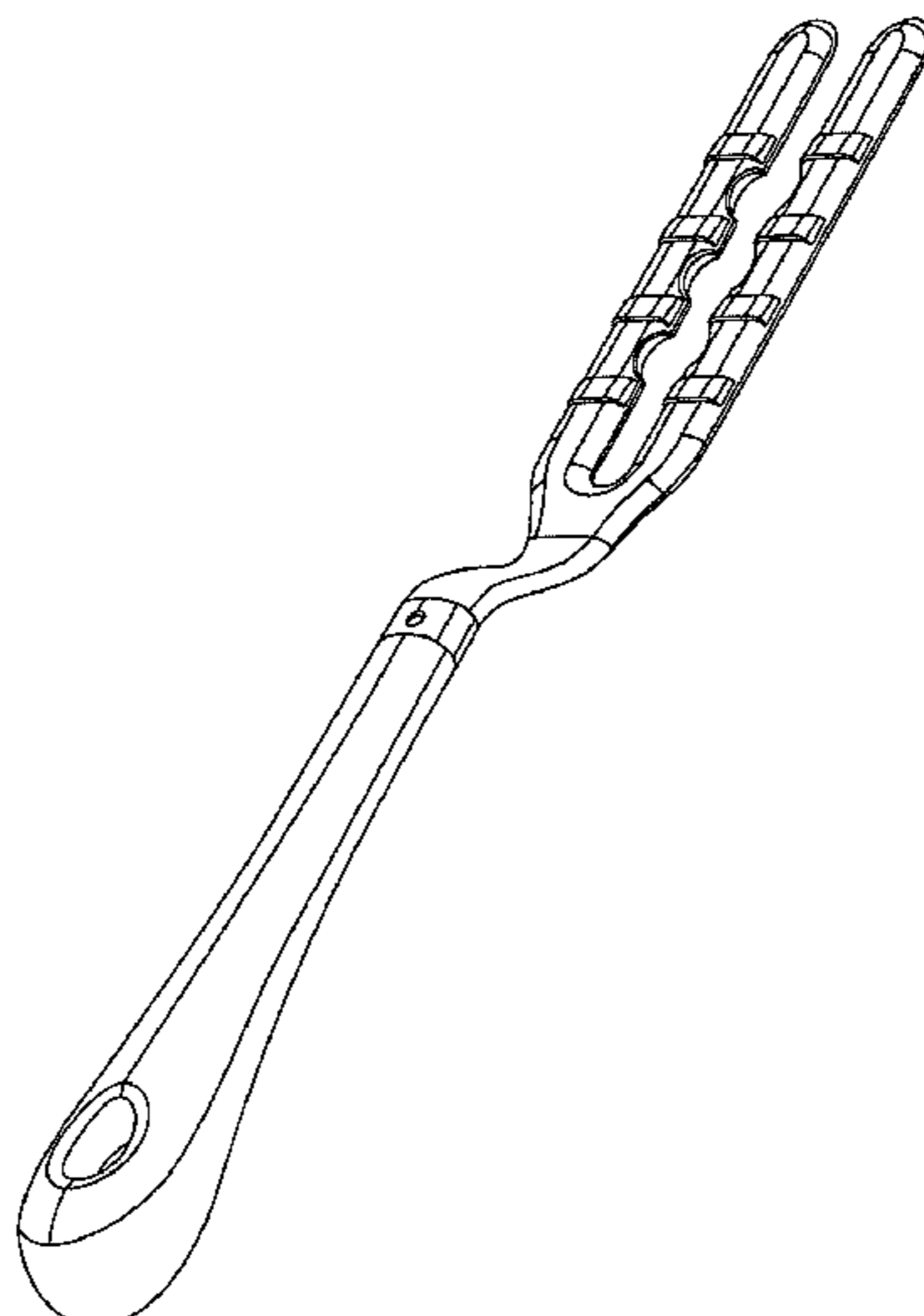
FIG. 8 is an isometric view of a first component of the handle of FIG. 1 shown separately for ease of disclosure and viewed from above, in front of, and from the left side of the handle;

FIG. 9 is an isometric view of a second component of the handle of FIG. 1 shown separately for ease of disclosure and viewed from above, in front of, and from the left side of the handle; and,

FIG. 10 is a left side elevation view of the second component of the handle of FIG. 1.

The broken lines are for illustrative purposes and represent environmental structure and unclaimed portions of the invention and therefore form no part of the claimed design.

1 Claim, 10 Drawing Sheets



US D686,792 S

Page 2

| U.S. PATENT DOCUMENTS | | | |
|-----------------------|------|---------|------------------------------|
| 6,925,686 | B2 | 8/2005 | Heathcock et al. |
| D512,569 | S | 12/2005 | Berti |
| 6,978,509 | B2 | 12/2005 | Lin |
| 7,004,671 | B2 | 2/2006 | Tawara et al. |
| 7,065,824 | B2 | 6/2006 | Petner |
| D528,397 | S * | 9/2006 | Hu D8/107 |
| 7,219,386 | B2 | 5/2007 | Tsuchiya et al. |
| D552,314 | S | 10/2007 | Harper et al. |
| D552,356 | S | 10/2007 | Newbould et al. |
| D571,069 | S | 6/2008 | Harper et al. |
| D572,873 | S * | 7/2008 | Hoadley et al. D32/52 |
| D575,984 | S * | 9/2008 | Coppi D7/393 |
| D577,955 | S * | 10/2008 | Kwan D7/395 |
| D578,773 | S | 10/2008 | Sherman et al. |
| D579,614 | S * | 10/2008 | Tanaka et al. D32/52 |
| D579,615 | S | 10/2008 | Ames et al. |
| 7,478,453 | B1 | 1/2009 | Busshaus |
| D590,558 | S * | 4/2009 | Tanaka et al. D32/48 |
| D591,020 | S | 4/2009 | Dotterman et al. |
| D604,468 | S | 11/2009 | Hirata et al. |
| D608,965 | S | 1/2010 | Tanaka et al. |
| D613,014 | S * | 3/2010 | Hoadley et al. D32/52 |
| D614,824 | S | 4/2010 | Heidel et al. |
| 7,716,777 | B2 | 5/2010 | Lee |
| D618,961 | S | 7/2010 | Chafai et al. |
| 7,774,889 | B2 | 8/2010 | Weaver |
| D624,264 | S | 9/2010 | Li |
| D629,649 | S | 12/2010 | Barber |
| D637,037 | S * | 5/2011 | Bergne D7/395 |
| 8,002,491 | B2 | 8/2011 | Whitling et al. |
| D647,703 | S | 11/2011 | Li |
| 2005/0005381 | A1 * | 1/2005 | Tanaka et al. 15/147.2 |
| 2005/0097691 | A1 | 5/2005 | Tsuchiya et al. |
| 2006/0123575 | A1 * | 6/2006 | Maloney et al. 15/144.1 |
| 2006/0260082 | A1 * | 11/2006 | Bonilla 15/229.3 |

* cited by examiner

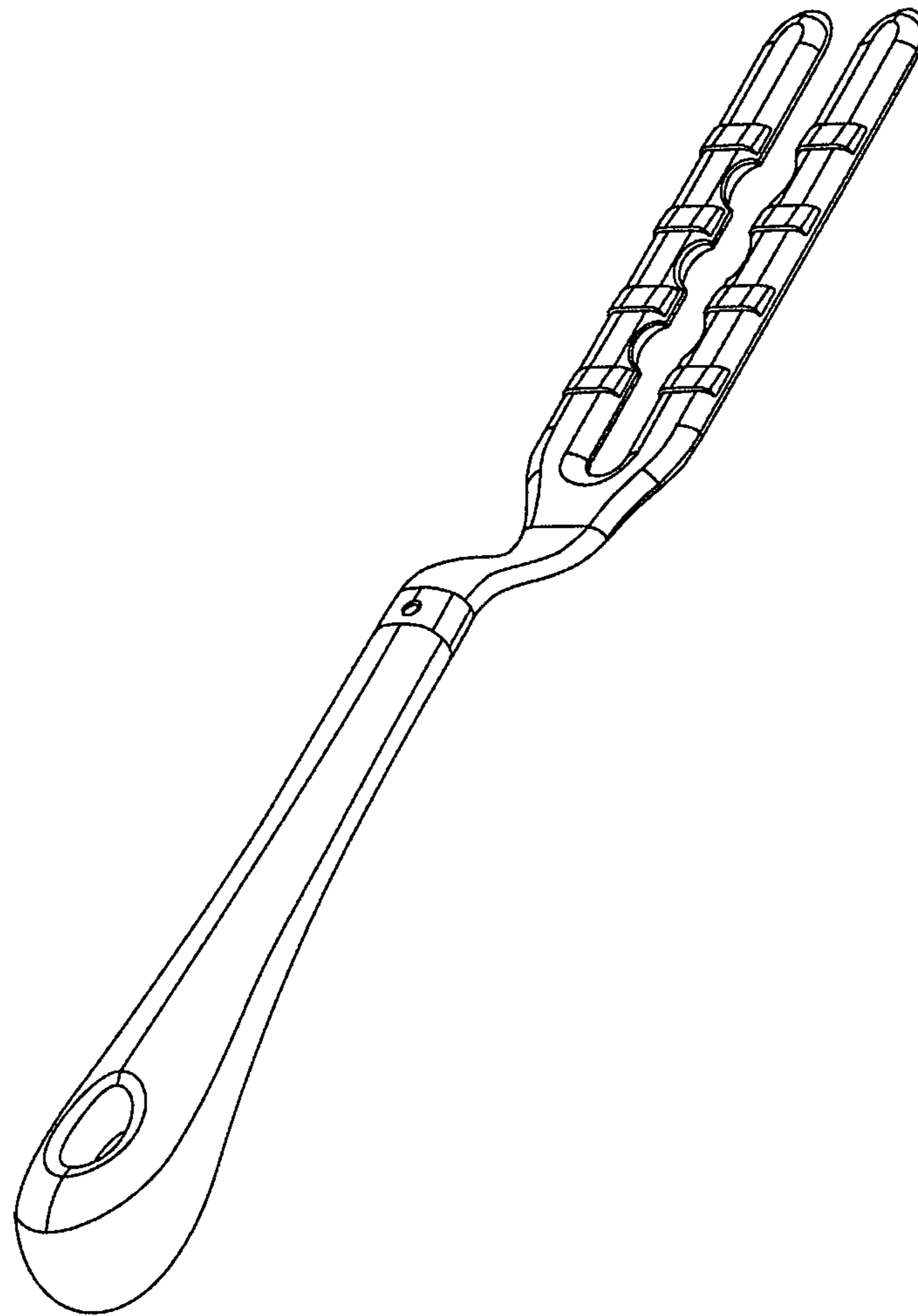


FIG. 1

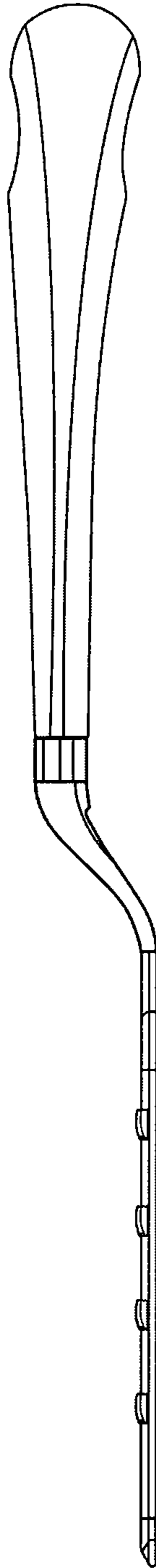


FIG. 2

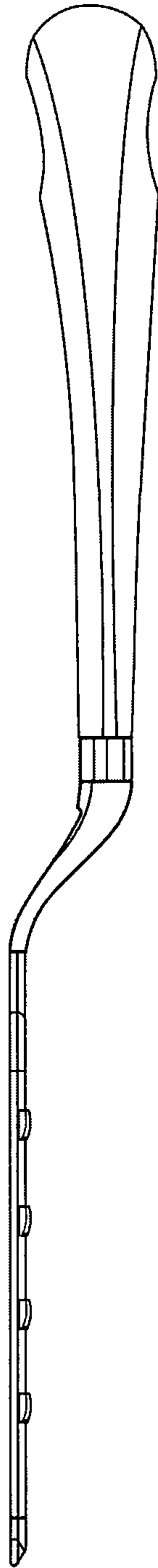


FIG. 3

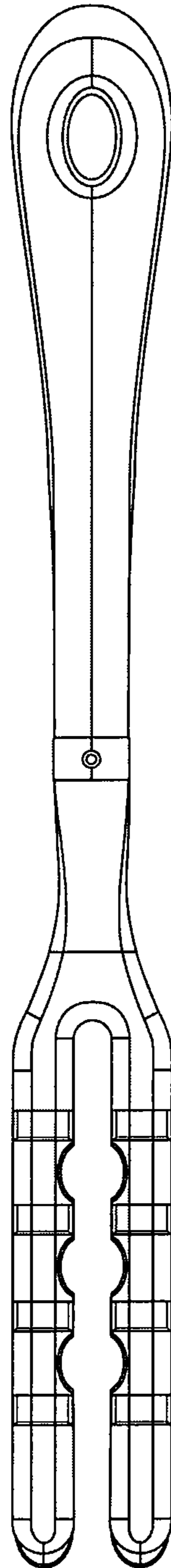


FIG. 4

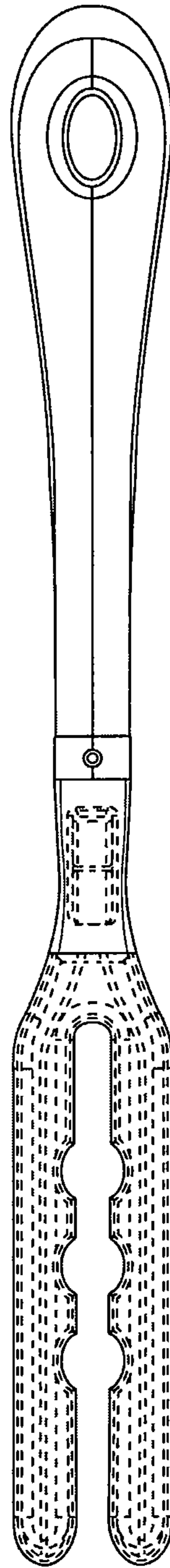


FIG. 5

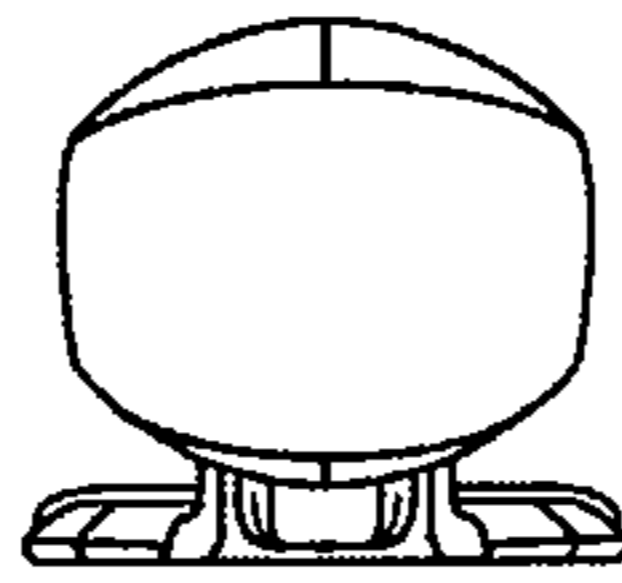


FIG. 6

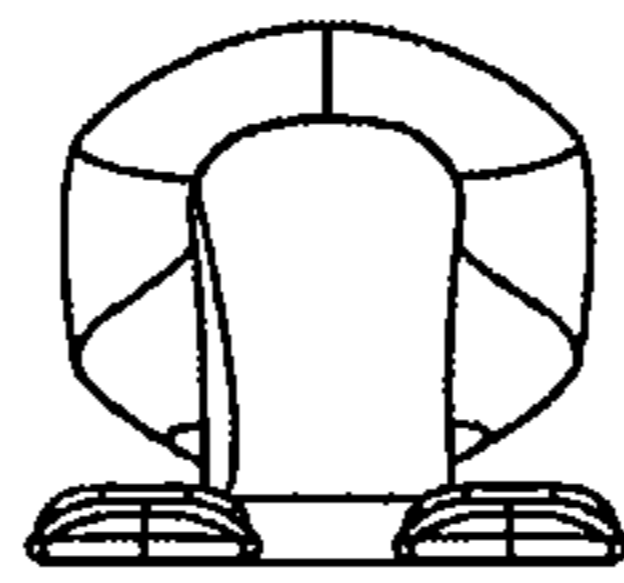


FIG. 7

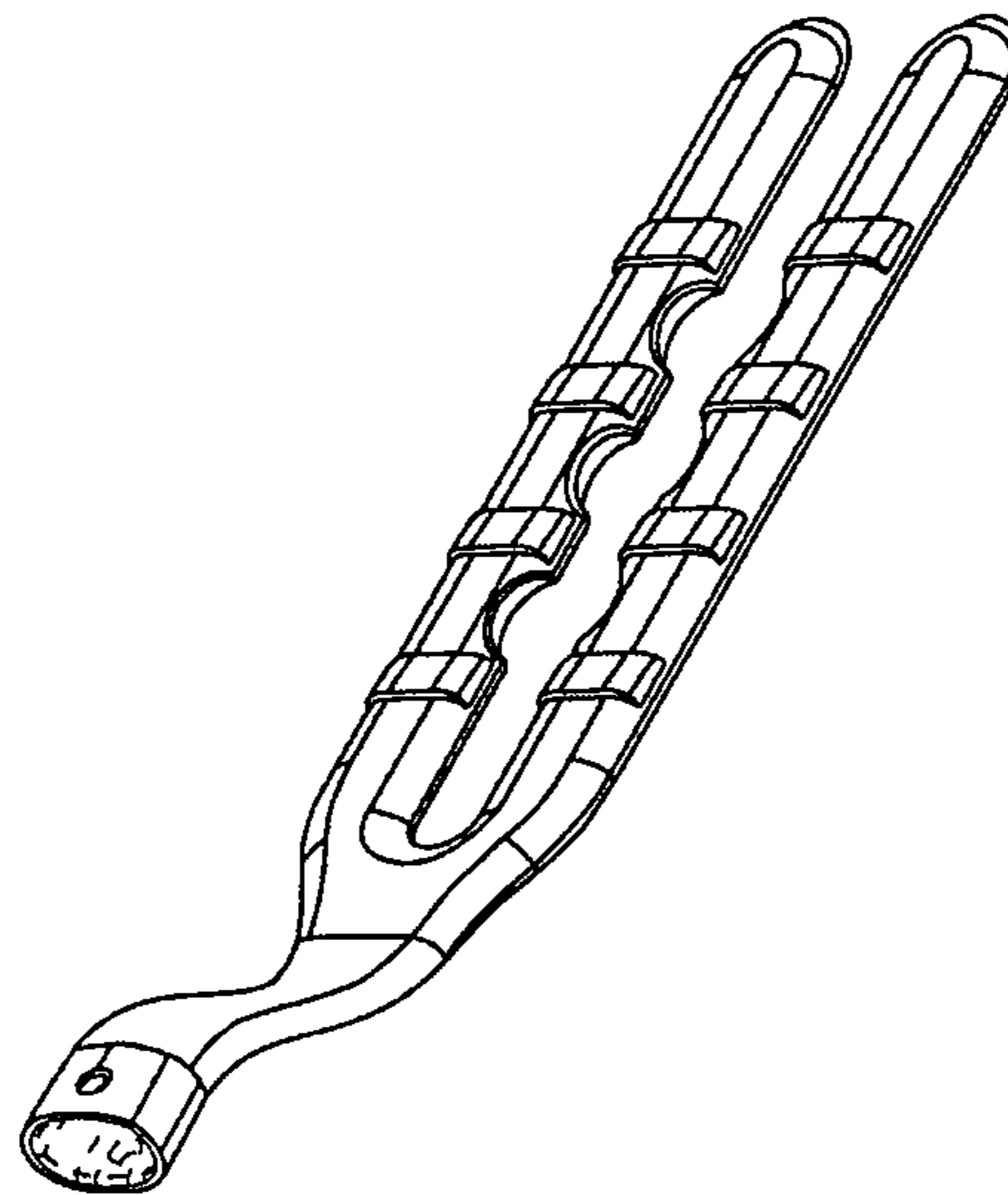


FIG. 8

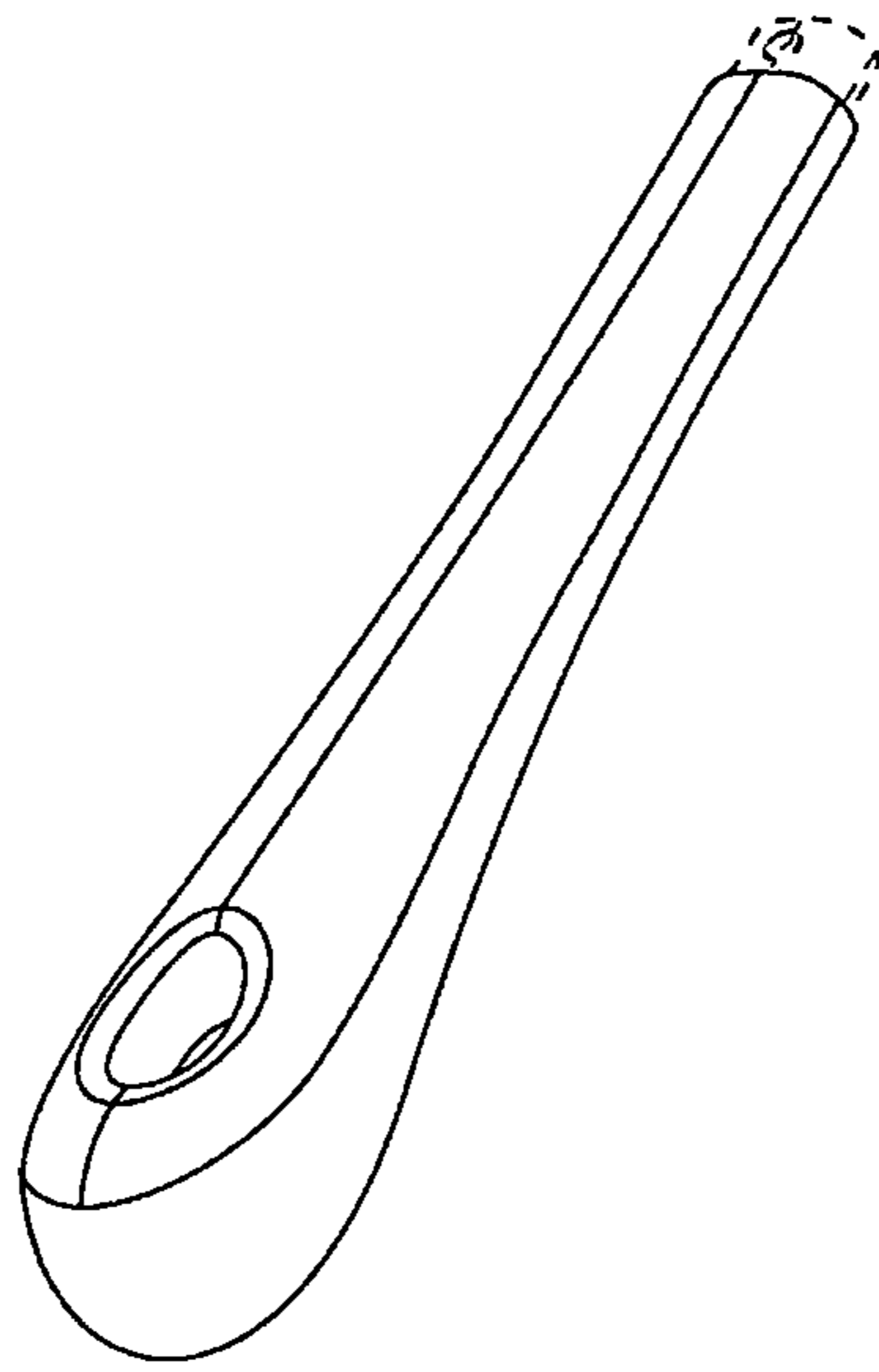


FIG. 9

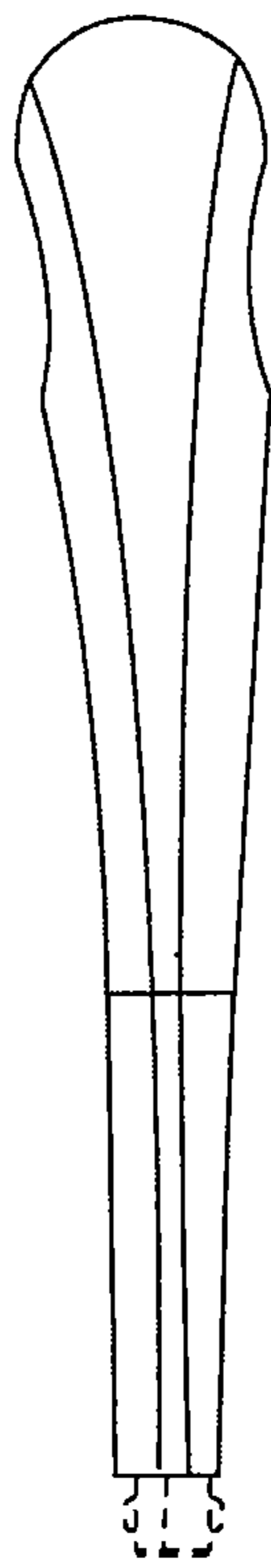


FIG. 10