



US00D686791S

(12) **United States Design Patent**
Benacquisto et al.

(10) **Patent No.:** **US D686,791 S**
(45) **Date of Patent:** **** Jul. 23, 2013**

(54) **VACUUM CLEANER HANDLE**

(75) Inventors: **Justin Benacquisto**, Caledonia, MI (US); **Dave Miller**, Zeeland, MI (US); **James Dangora**, Chicago, IL (US); **Jongho Nho**, Palatine, IL (US); **Paul Hatch**, Chicago, IL (US)

(73) Assignee: **BISSELL Homecare, Inc.**, Grand Rapids, MI (US)

(**) Term: **14 Years**

(21) Appl. No.: **29/415,406**

(22) Filed: **Mar. 9, 2012**

(51) **LOC (9) Cl.** **15-05**

(52) **U.S. Cl.**
USPC **D32/34; D32/31**

(58) **Field of Classification Search**
USPC D32/22, 30-31, 34; 55/429, 337, 55/DIG. 3; 15/410, 347, 328, 350, 352, 353, 15/361, DIG. 8, 246.2, 320
See application file for complete search history.

(56) **References Cited**

U.S. PATENT DOCUMENTS

D530,473 S * 10/2006 Medema et al. D32/31
D558,944 S * 1/2008 Medema et al. D32/34

D562,511 S * 2/2008 Medema et al. D32/34
D598,169 S * 8/2009 Benacquisto et al. D32/31
D598,615 S * 8/2009 Benacquisto et al. D32/22
D598,619 S * 8/2009 Benacquisto et al. D32/34
D598,620 S * 8/2009 Benacquisto et al. D32/34
D667,183 S * 9/2012 Benacquisto D32/31
D670,047 S * 10/2012 Santiago et al. D32/22
2011/0056044 A1 * 3/2011 Reed, Jr. 15/320

* cited by examiner

Primary Examiner — Ruth McInroy

(74) *Attorney, Agent, or Firm* — McGarry Bair PC

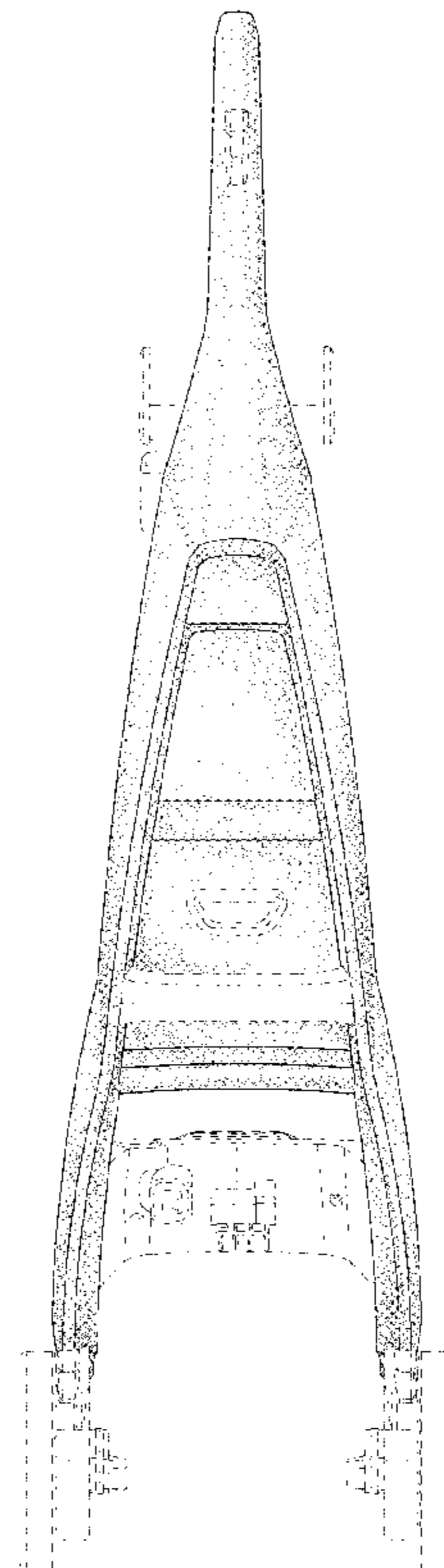
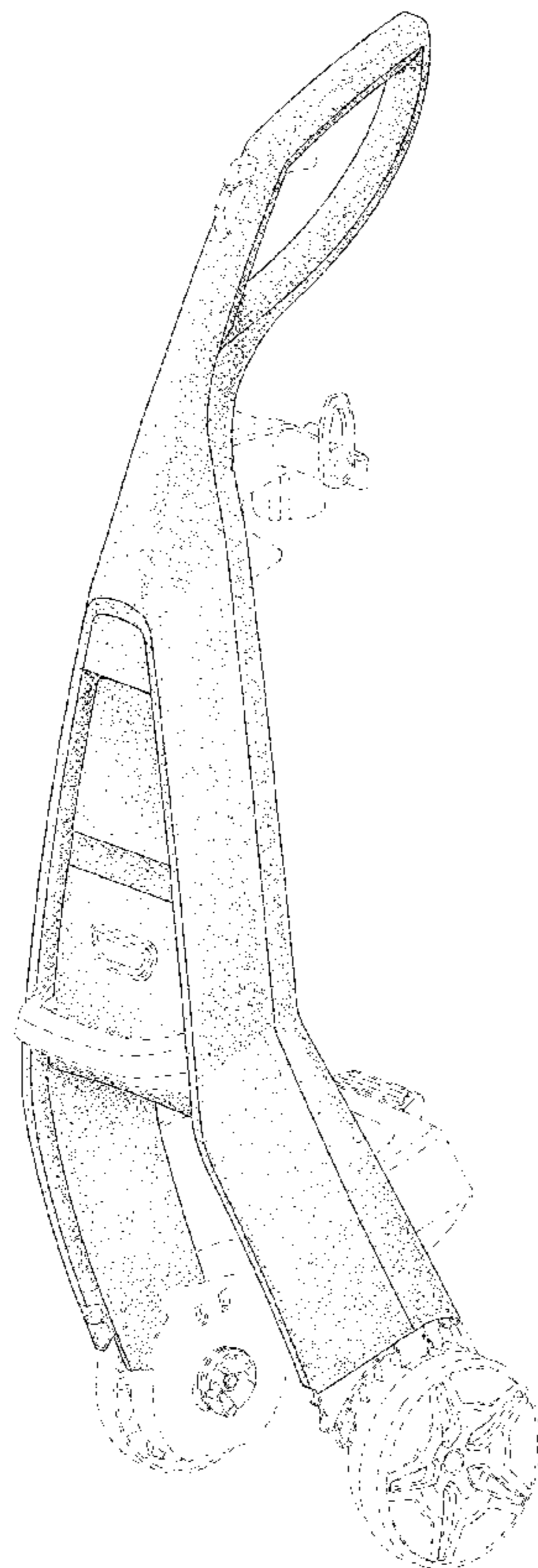
(57) **CLAIM**

The ornamental design for a vacuum cleaner handle, as shown and described.

DESCRIPTION

FIG. 1 is a front perspective view of a vacuum cleaner handle which embodies our design;
FIG. 2 is a front view thereof;
FIG. 3 is a rear view thereof;
FIG. 4 is a left side view thereof, the right side view thereof being a mirror image of the left side view thereof;
FIG. 5 is a top view thereof; and,
FIG. 6 is a bottom view thereof.
The details shown in broken lines form no part of the claimed design.

1 Claim, 3 Drawing Sheets



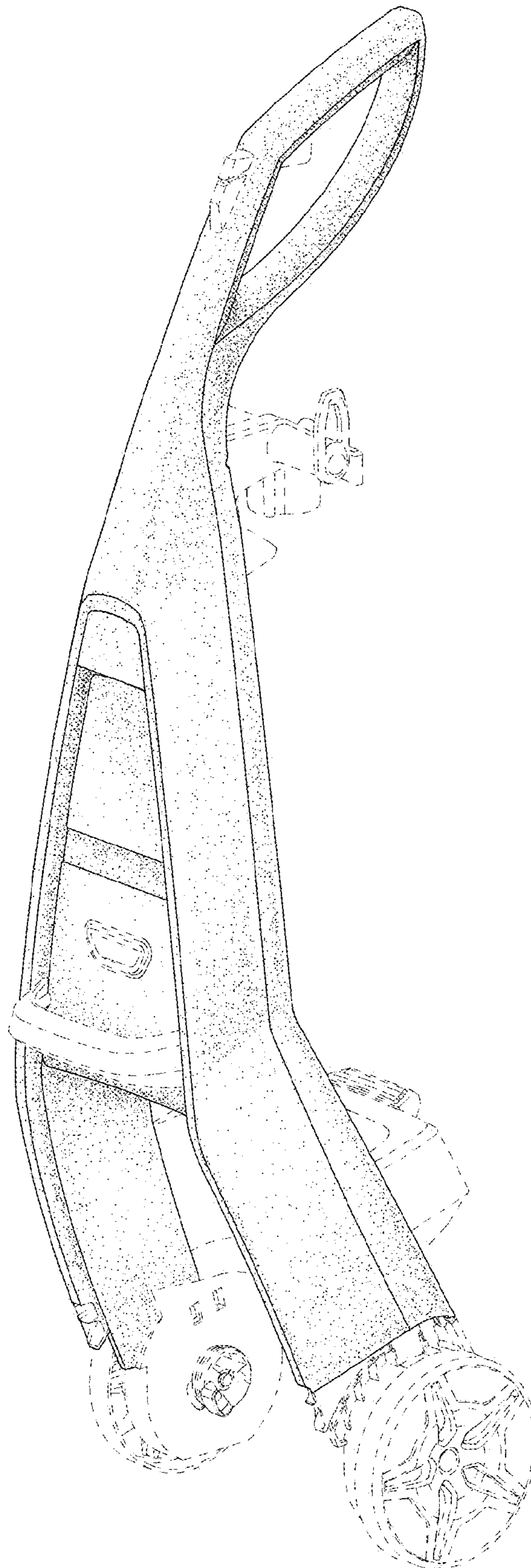


FIG. 1

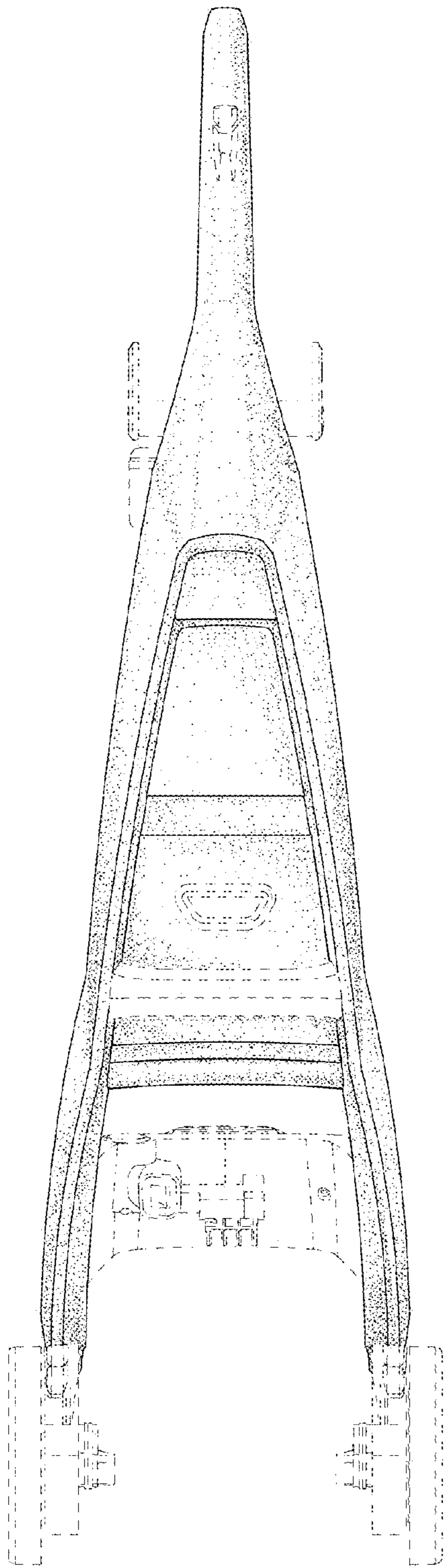


FIG. 2

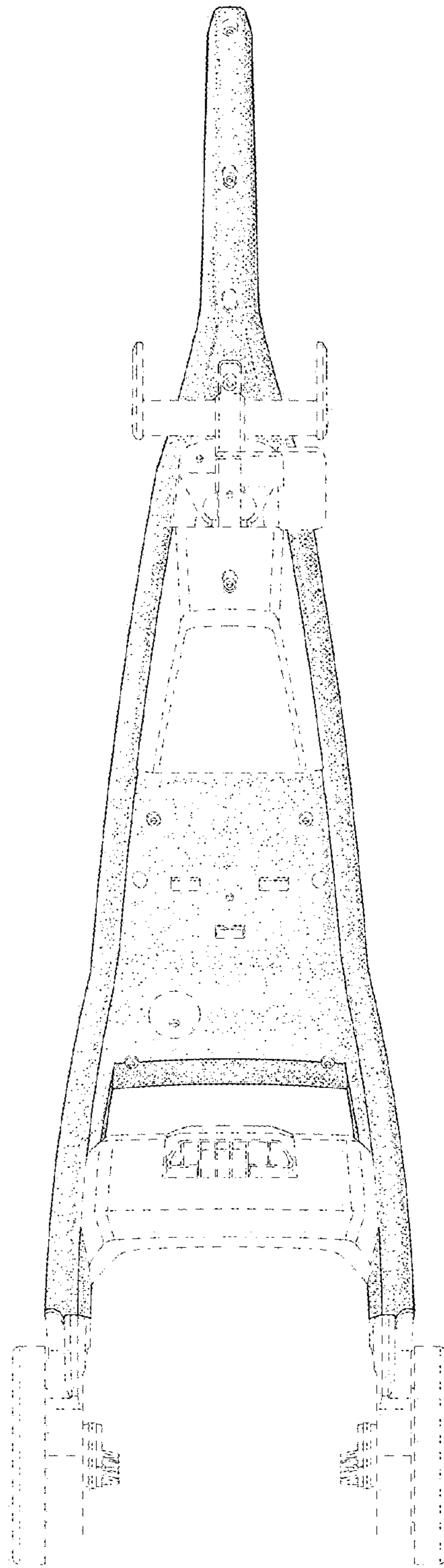


FIG. 3

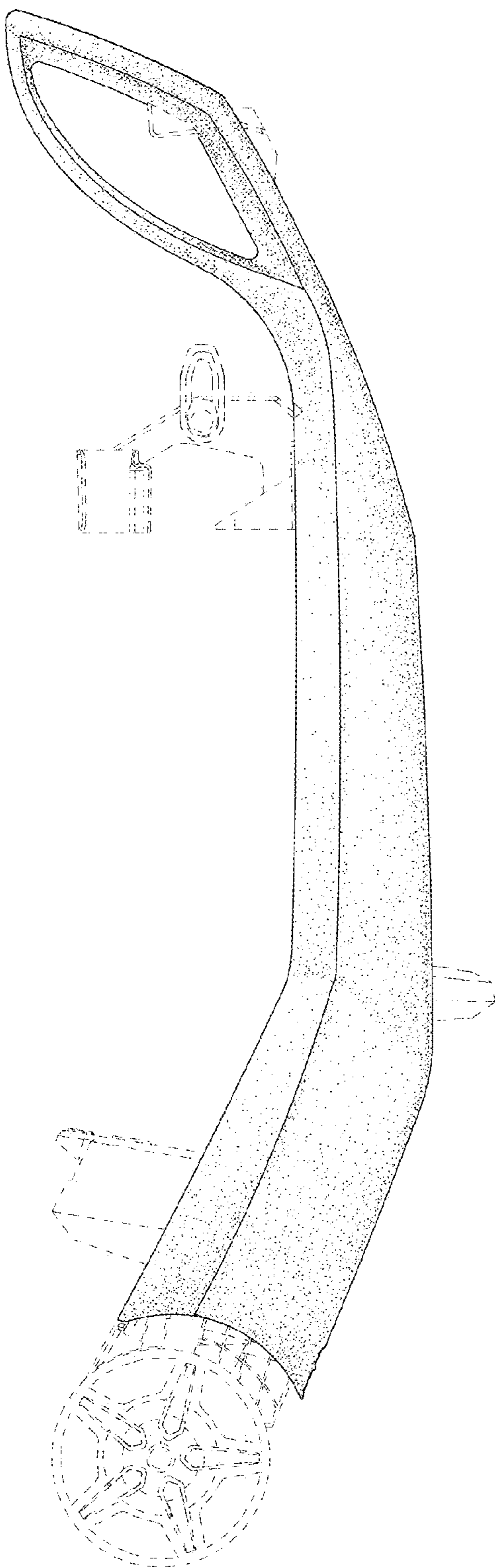


FIG. 4

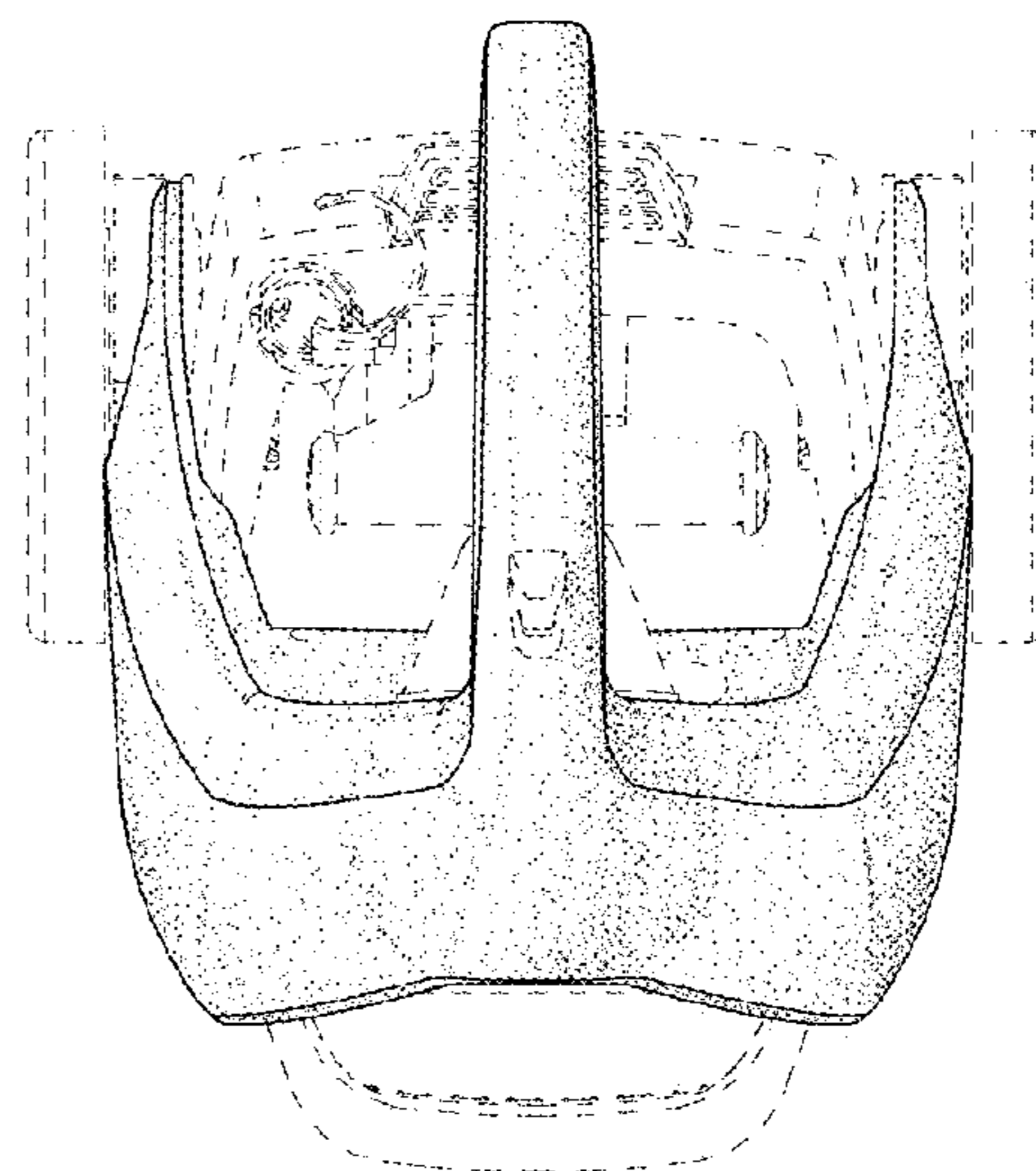


FIG. 5

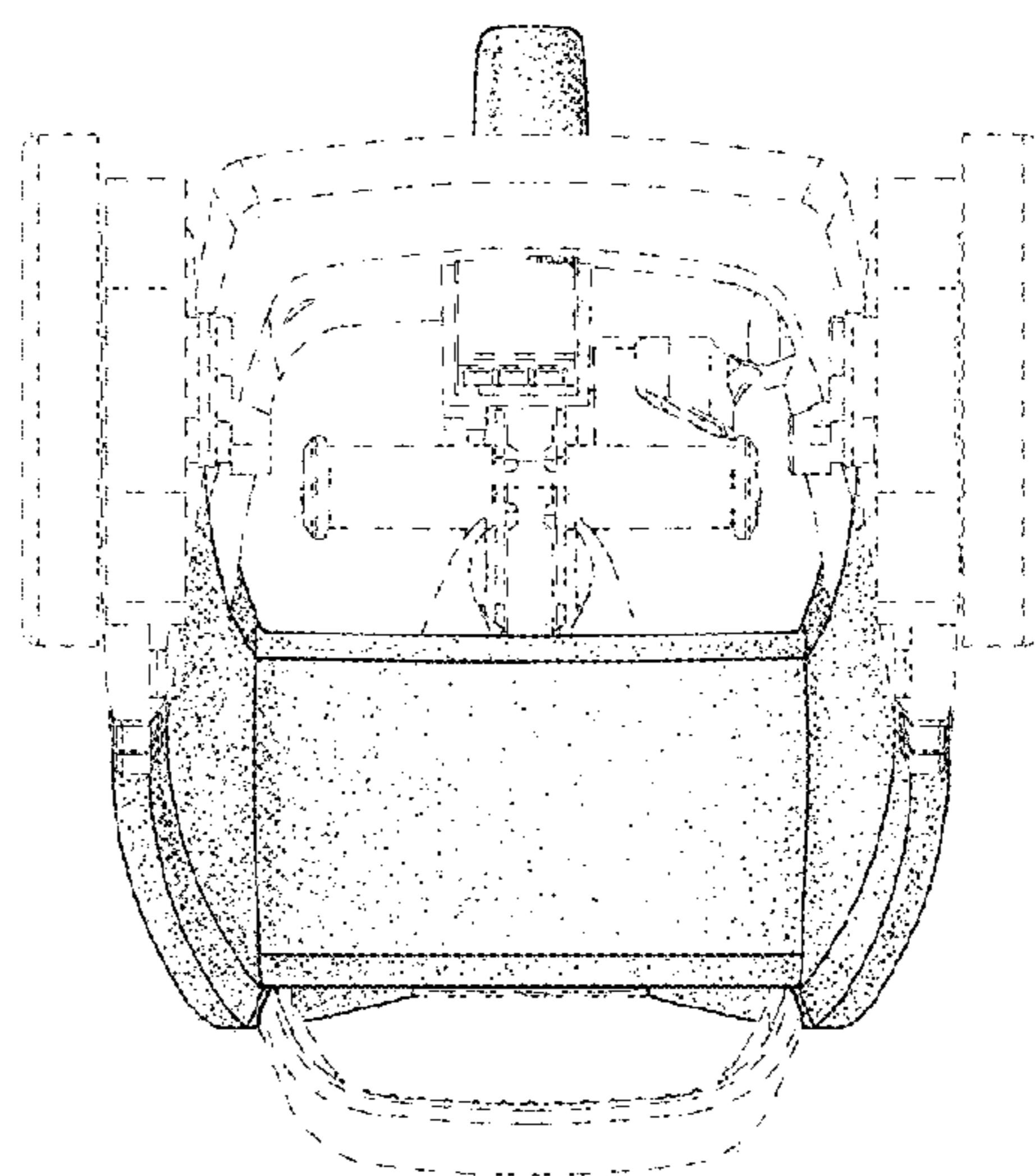


FIG. 6