



US00D686790S

(12) **United States Design Patent**  
**Santiago et al.**

(10) **Patent No.:** **US D686,790 S**  
(45) **Date of Patent:** **\*\* Jul. 23, 2013**

- (54) **VACUUM CLEANER TANK**
- (71) Applicant: **Bissell Homecare, Inc.**, Grand Rapids, MI (US)
- (72) Inventors: **Jose Carlito Santiago**, Belmont, MI (US); **Mustafa Engin Hassamanci**, Chicago, IL (US)
- (73) Assignee: **BISSELL Homecare, Inc.**, Grand Rapids, MI (US)
- (\*\*) Term: **14 Years**
- (21) Appl. No.: **29/440,145**
- (22) Filed: **Dec. 19, 2012**
- (51) **LOC (9) Cl.** ..... **15-05**
- (52) **U.S. Cl.**  
USPC ..... **D32/31**
- (58) **Field of Classification Search**  
USPC ..... D32/22, 30-31, 34; 55/429, 337, 55/DIG. 3; 15/410, 347, 328, 350, 352, 353, 15/361, DIG. 8, 246.2, 320  
See application file for complete search history.

(56) **References Cited**

**U.S. PATENT DOCUMENTS**

D494,719	S *	8/2004	Rosenzweig et al.	.....	D32/31
D510,465	S *	10/2005	Takahashi et al.	.....	D32/22
D520,692	S *	5/2006	Leyden	.....	D32/31
D521,699	S *	5/2006	Greene et al.	.....	D32/22
D532,944	S *	11/2006	Choi	.....	D32/22
D537,584	S *	2/2007	Greene et al.	.....	D32/22
D547,505	S *	7/2007	Carr et al.	.....	D32/31
D553,313	S *	10/2007	Parr et al.	.....	D32/22
7,462,210	B2 *	12/2008	Lee	.....	55/311
7,517,377	B2 *	4/2009	Yoshida et al.	.....	55/304

D609,416	S *	2/2010	Hill et al.	.....	D32/31
D609,418	S *	2/2010	Santiago et al.	.....	D32/31
7,682,414	B2 *	3/2010	Yoshida et al.	.....	55/429
D631,628	S *	1/2011	Benacquisto et al.	.....	D32/31
D632,035	S *	2/2011	Luyckx et al.	.....	D32/31
D632,036	S *	2/2011	McNeil et al.	.....	D32/31
D632,037	S *	2/2011	Carr et al.	.....	D32/31
D633,264	S *	2/2011	Lee	.....	D32/22
7,879,142	B2 *	2/2011	Han et al.	.....	96/381
8,032,983	B2 *	10/2011	Griffith et al.	.....	15/347
D662,271	S *	6/2012	Conrad et al.	.....	D32/31
D662,272	S *	6/2012	Conrad et al.	.....	D32/31
8,268,029	B2 *	9/2012	Yoo	.....	55/337
D670,052	S *	10/2012	Dos Reis	.....	D32/31
2007/0084165	A1 *	4/2007	Nakai et al.	.....	55/429
2007/0209147	A1 *	9/2007	Krebs et al.	.....	15/347
2011/0219575	A1 *	9/2011	Conrad	.....	15/347
2011/0219580	A1 *	9/2011	Conrad	.....	15/410

\* cited by examiner

*Primary Examiner* — Ruth McInroy

(74) *Attorney, Agent, or Firm* — McGarry Bair PC

(57) **CLAIM**

The ornamental design for a vacuum cleaner tank, as shown and described.

**DESCRIPTION**

FIG. 1 is a top, front and right side perspective view of a vacuum cleaner tank showing our new design;

FIG. 2 is a front view thereof;

FIG. 3 is a rear view thereof;

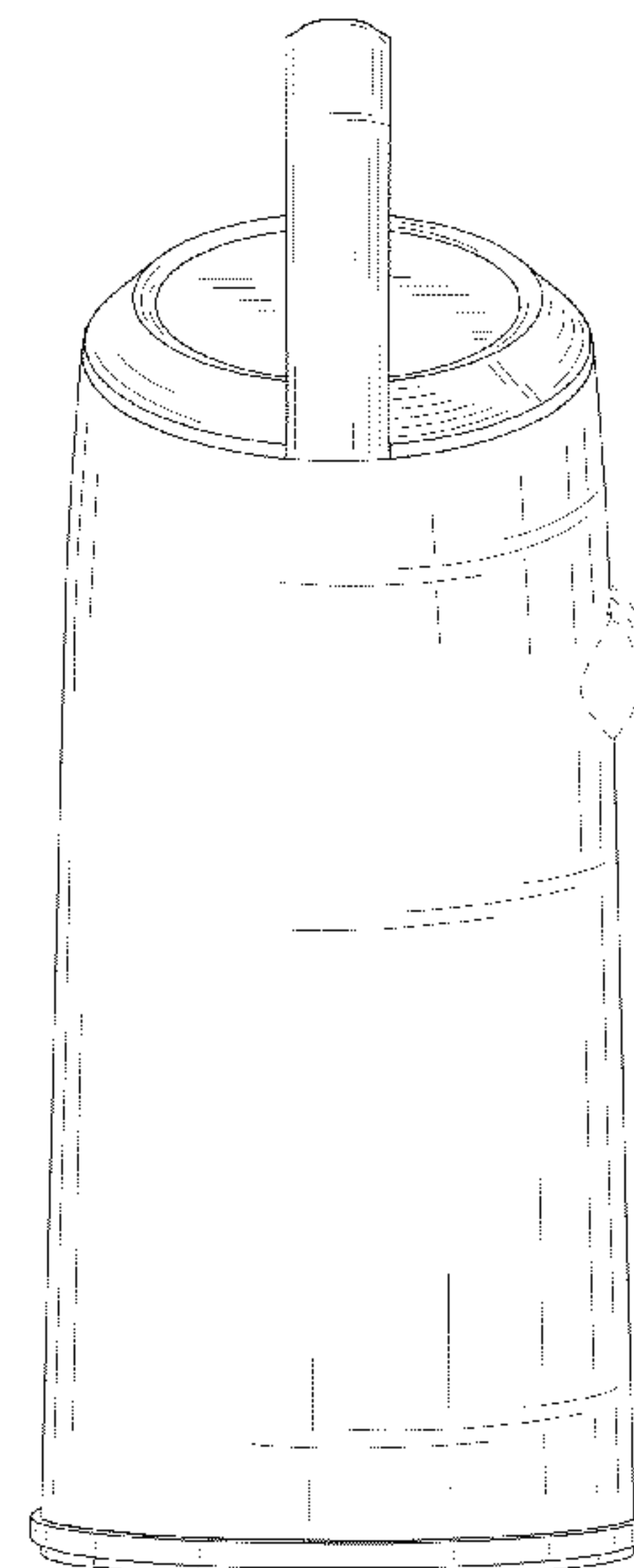
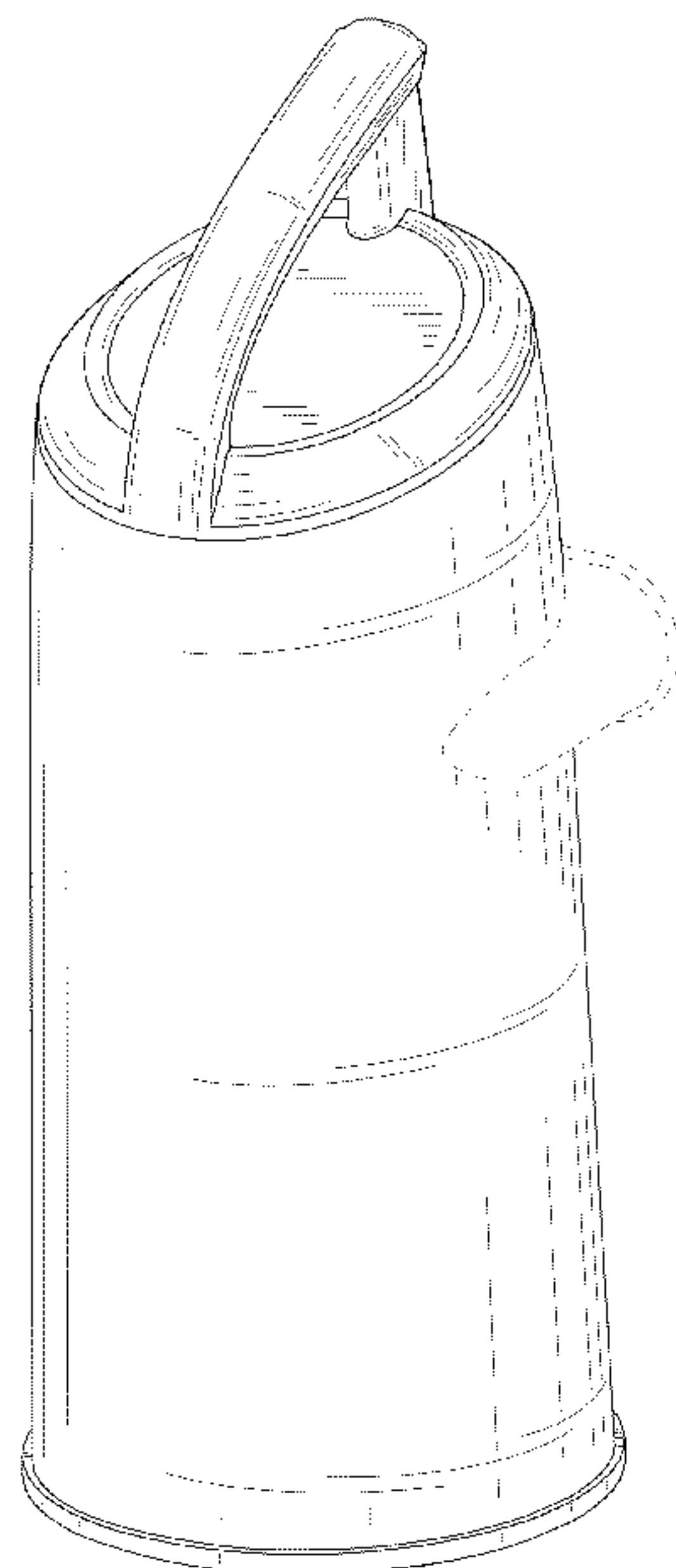
FIG. 4 is a left side view thereof;

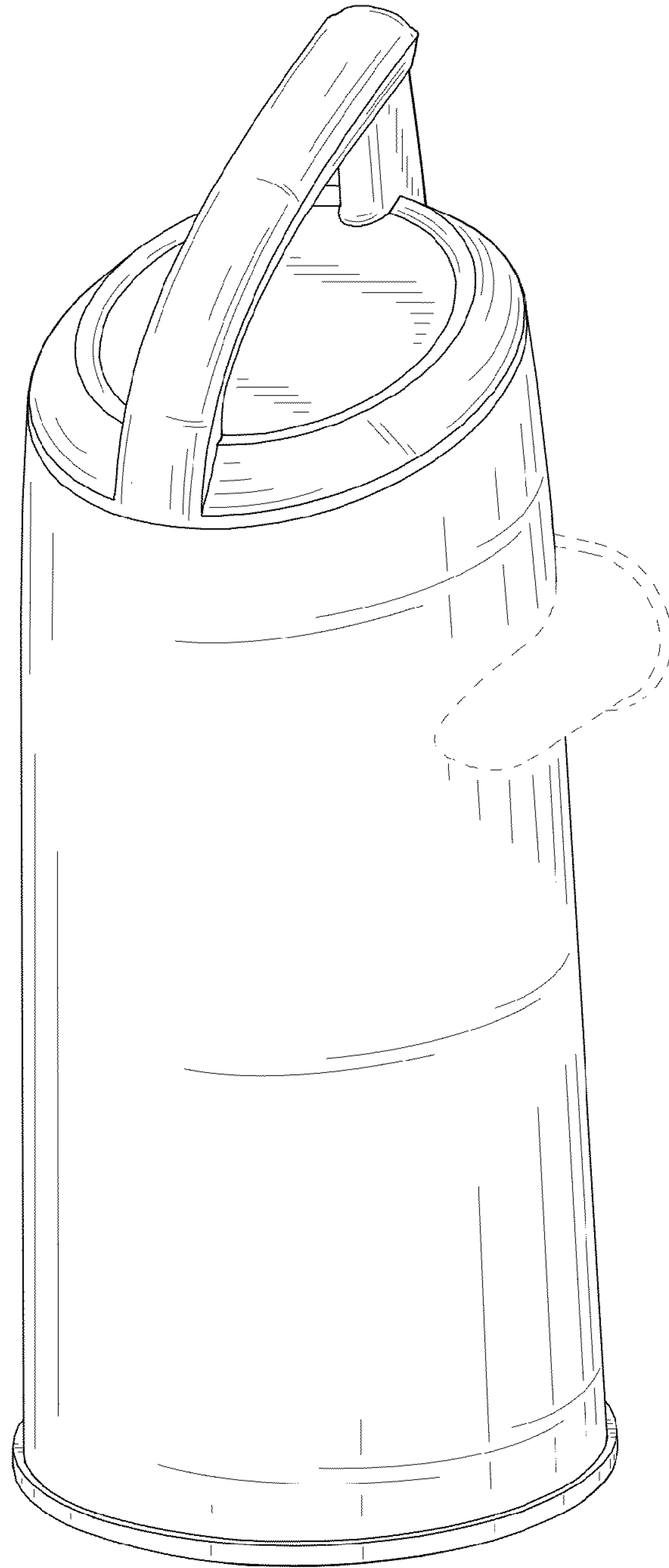
FIG. 5 is a right side view thereof; and,

FIG. 6 is a top plan view thereof.

The broken lines shown in the drawings are included for illustrative purposes only and form no part of the claimed design.

**1 Claim, 4 Drawing Sheets**





**FIG. 1**

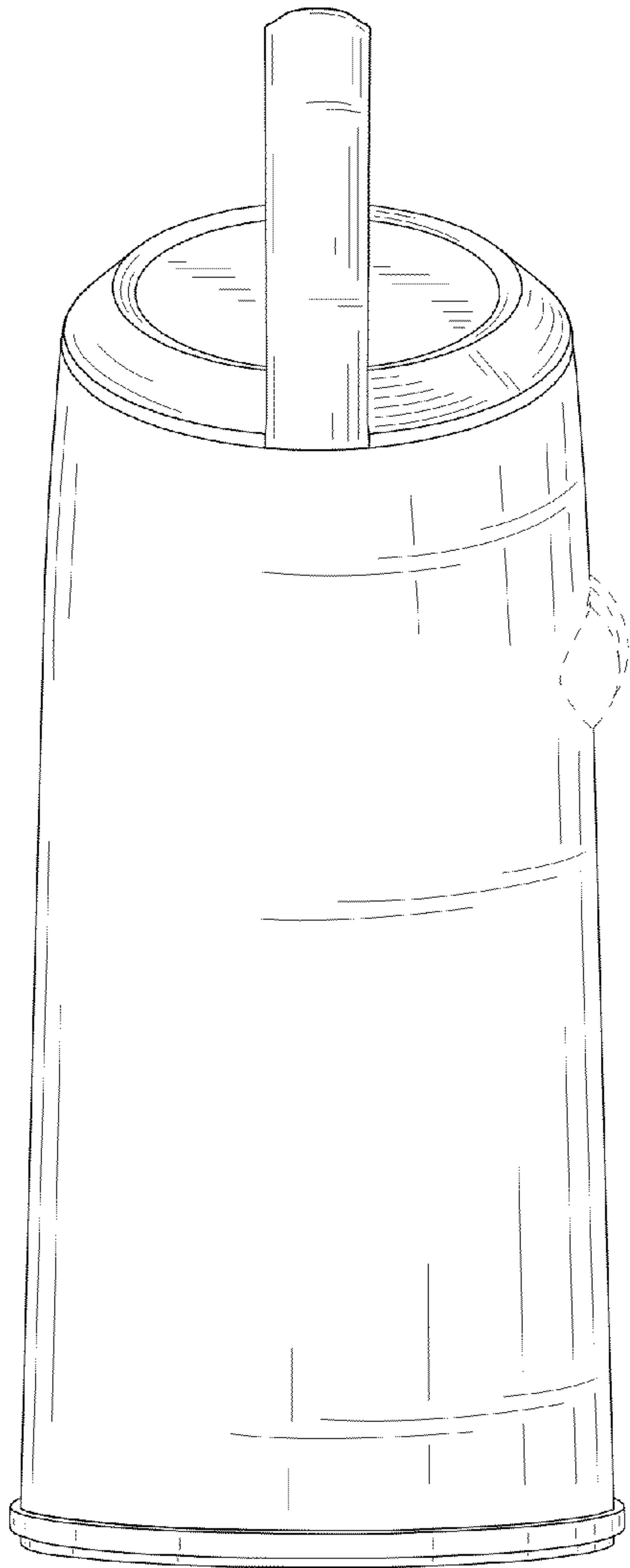


FIG. 2

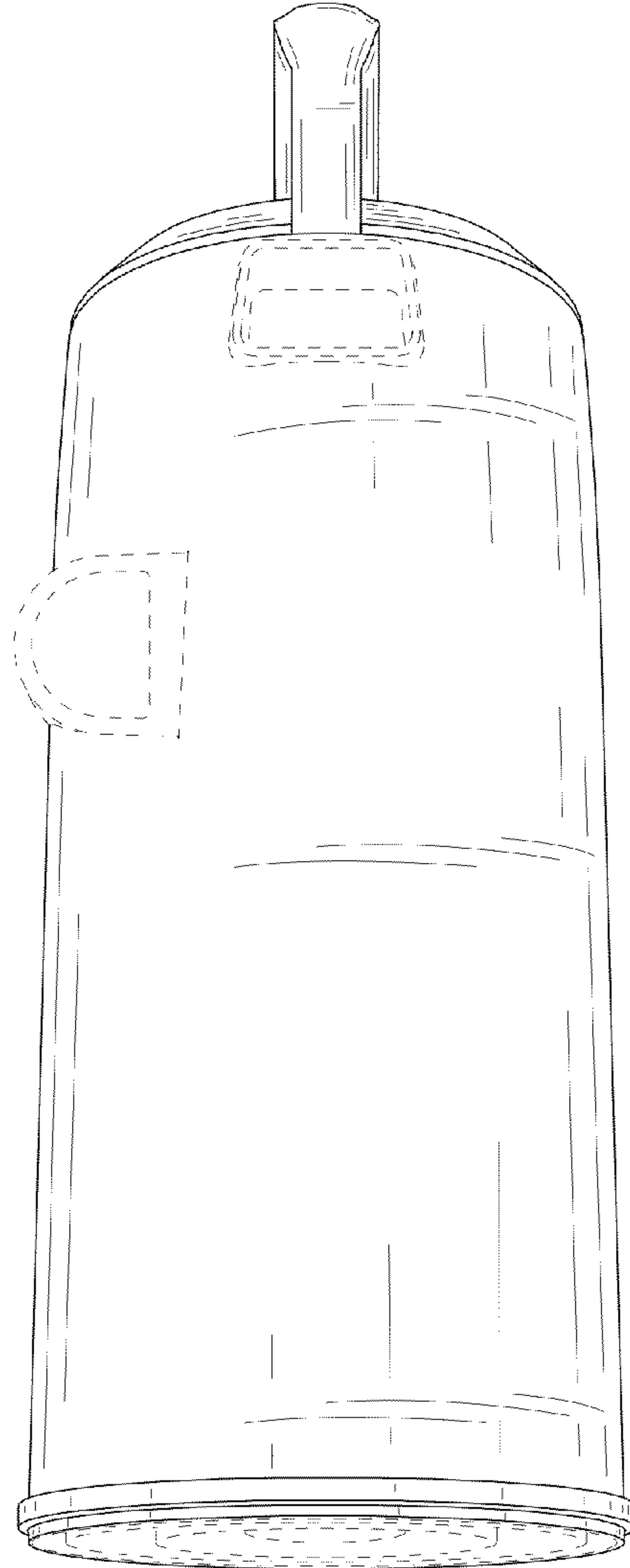
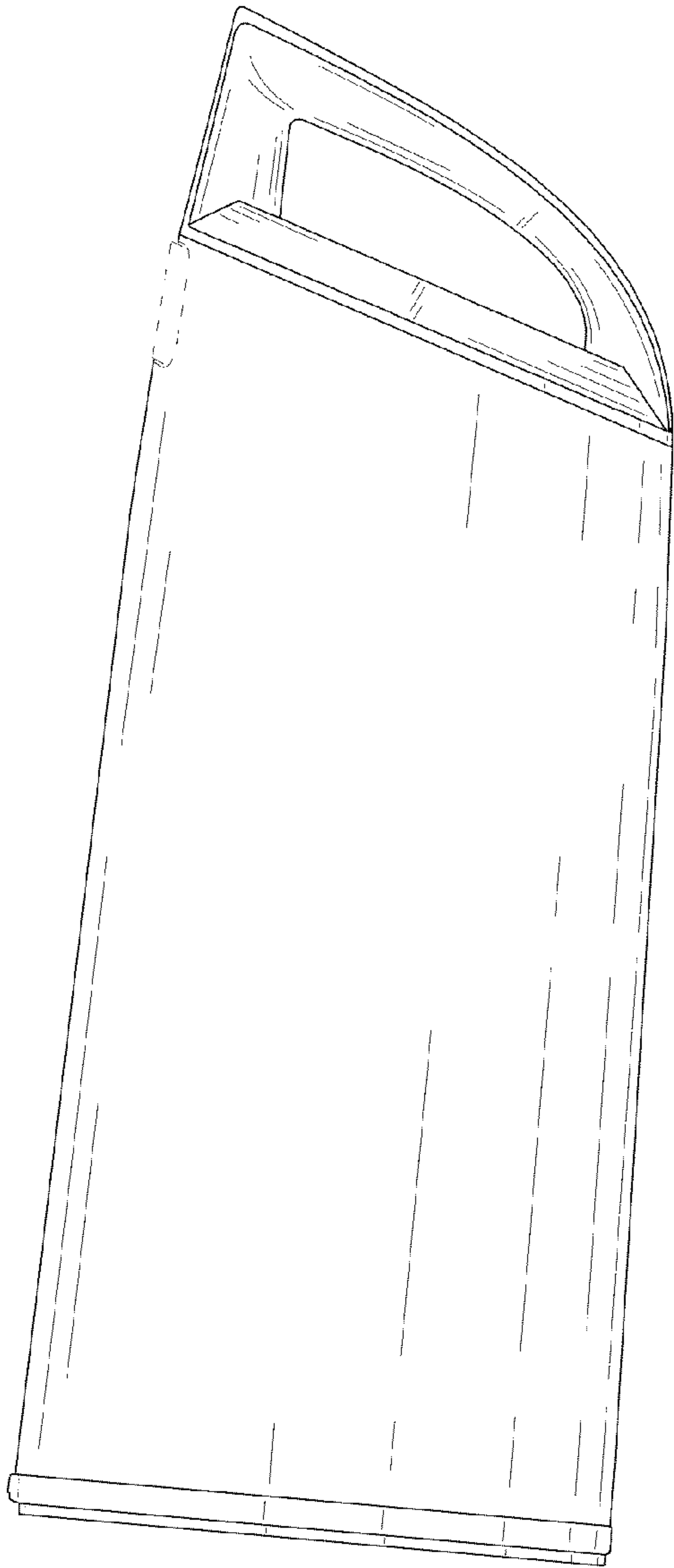
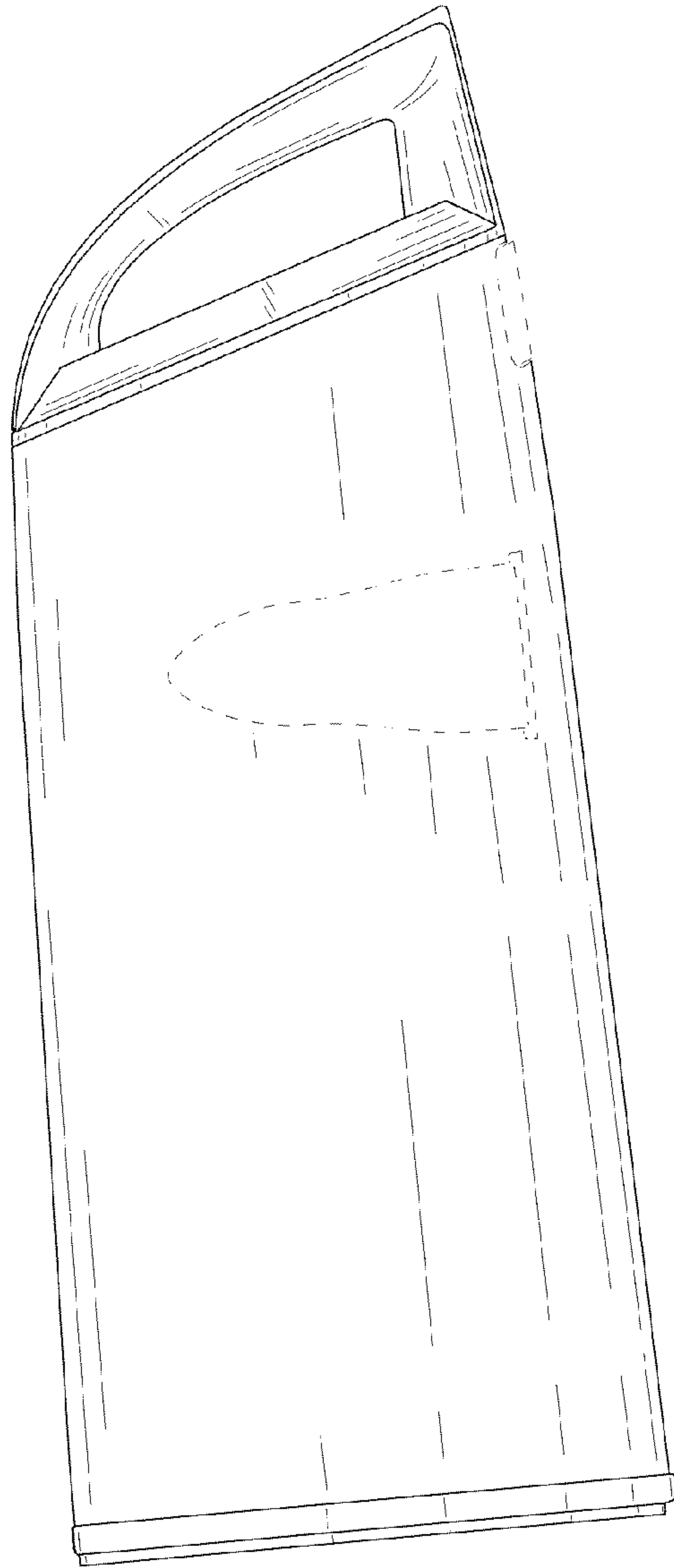


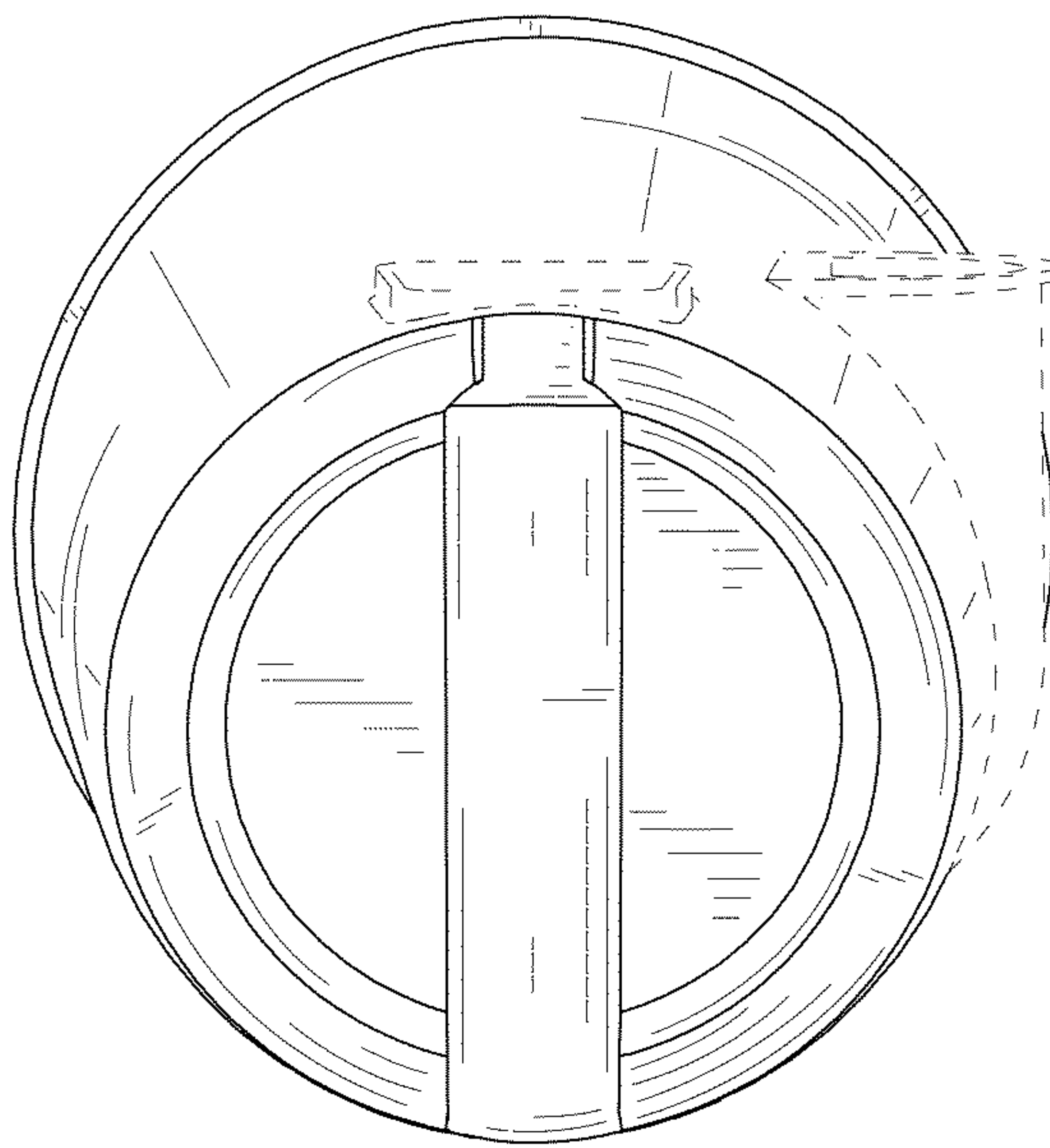
FIG. 3



**FIG. 4**



**FIG. 5**



**FIG. 6**