



US00D686789S

(12) **United States Design Patent**
Bisson

(10) **Patent No.:** **US D686,789 S**
(45) **Date of Patent:** **** Jul. 23, 2013**

(54) **BACKPACK VACUUM CLEANER**

(76) Inventor: **Montgomery Bisson**, Huntington Beach,
CA (US)

(**) Term: **14 Years**

(21) Appl. No.: **29/418,617**

(22) Filed: **Apr. 18, 2012**

(51) **LOC (9) Cl.** **15-05**

(52) **U.S. Cl.**
USPC **D32/21**

(58) **Field of Classification Search**
USPC D32/17-21, 24, 31-33, 50; 15/320,
15/322, 327.1, 327.5-327.7, 353, 415.1-422,
15/422.1, 329, 366, 383, 384, 400, 340.4,
15/340.2, 52.2, 50.1, 50.2; 68/222, 5 R, 5 A;
392/403-406, 394, 386; 8/149.3; 239/136,
239/128; 137/241; 38/77.5-77.7, 77.9, 3,
38/14, 141, 77.83

See application file for complete search history.

(56) **References Cited**

U.S. PATENT DOCUMENTS

D219,835	S *	2/1971	Otto et al.	D32/21
4,325,162	A *	4/1982	Chambers et al.	15/327.5
D312,517	S	11/1990	Hohrein, II et al.		
D326,747	S *	6/1992	Stickle	D32/21
5,267,371	A *	12/1993	Soler et al.	15/327.5
5,588,177	A *	12/1996	Eriksen	15/327.5
D398,426	S *	9/1998	Bisson	D32/21
6,151,749	A *	11/2000	Berfield	15/327.5
RE37,081	E *	3/2001	Eriksen	15/327.5
D446,364	S	8/2001	Bisson		
D446,365	S *	8/2001	Bisson	D32/21
6,295,692	B1 *	10/2001	Shideler	15/327.5
D459,039	S *	6/2002	Bisson	D32/21
6,553,610	B1 *	4/2003	Shideler	15/327.5
D518,927	S *	4/2006	Rupp et al.	D32/21

D521,695	S *	5/2006	Jacobs et al.	D32/21
D534,697	S *	1/2007	Reick-Mitrisin et al.	D32/21
D537,583	S *	2/2007	Crevling et al.	D32/21
7,287,300	B2 *	10/2007	Rupp et al.	15/327.6
D572,420	S *	7/2008	Genoa et al.	D32/21
7,437,796	B2 *	10/2008	Rappin	15/327.5
D581,113	S *	11/2008	Hoshino et al.	D32/21
D599,063	S *	8/2009	Catron	D32/21
D601,314	S *	9/2009	Catron	D32/21
7,600,290	B1 *	10/2009	Peters	15/327.5
D617,962	S *	6/2010	Clepper et al.	D32/21
D618,408	S *	6/2010	Clepper et al.	D32/21
D620,655	S *	7/2010	Pezzaniti	D32/21
D637,775	S *	5/2011	Penrow	D32/21
2004/0107529	A1 *	6/2004	Shahbaz	15/327.5
2006/0005346	A1 *	1/2006	Rupp et al.	15/327.5
2007/0044270	A1 *	3/2007	Crevling et al.	15/327.5
2007/0174992	A1 *	8/2007	Murray et al.	15/326
2007/0209140	A1 *	9/2007	Clarke	15/327.5
2007/0209141	A1 *	9/2007	Hare	15/327.5
2008/0178416	A1 *	7/2008	Conrad	15/327.5
2010/0005614	A1 *	1/2010	Cochran et al.	15/327.5
2011/0289718	A1 *	12/2011	Basenberg et al.	15/327.5

* cited by examiner

Primary Examiner — Ruth McInroy

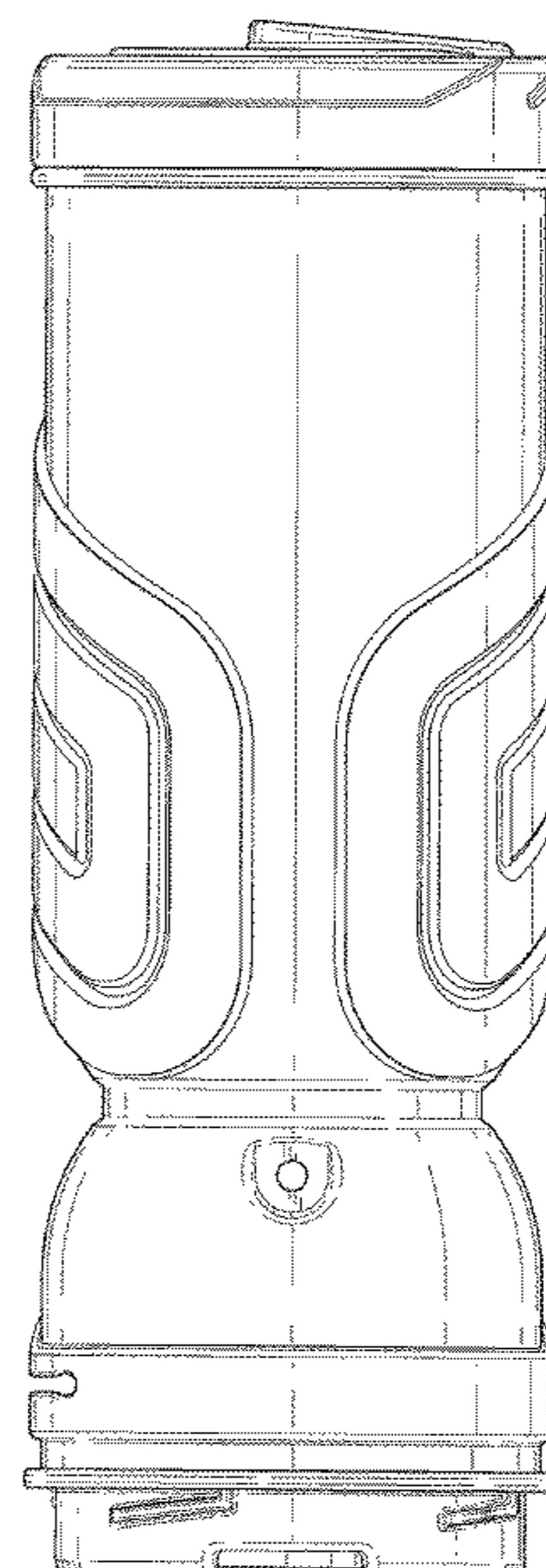
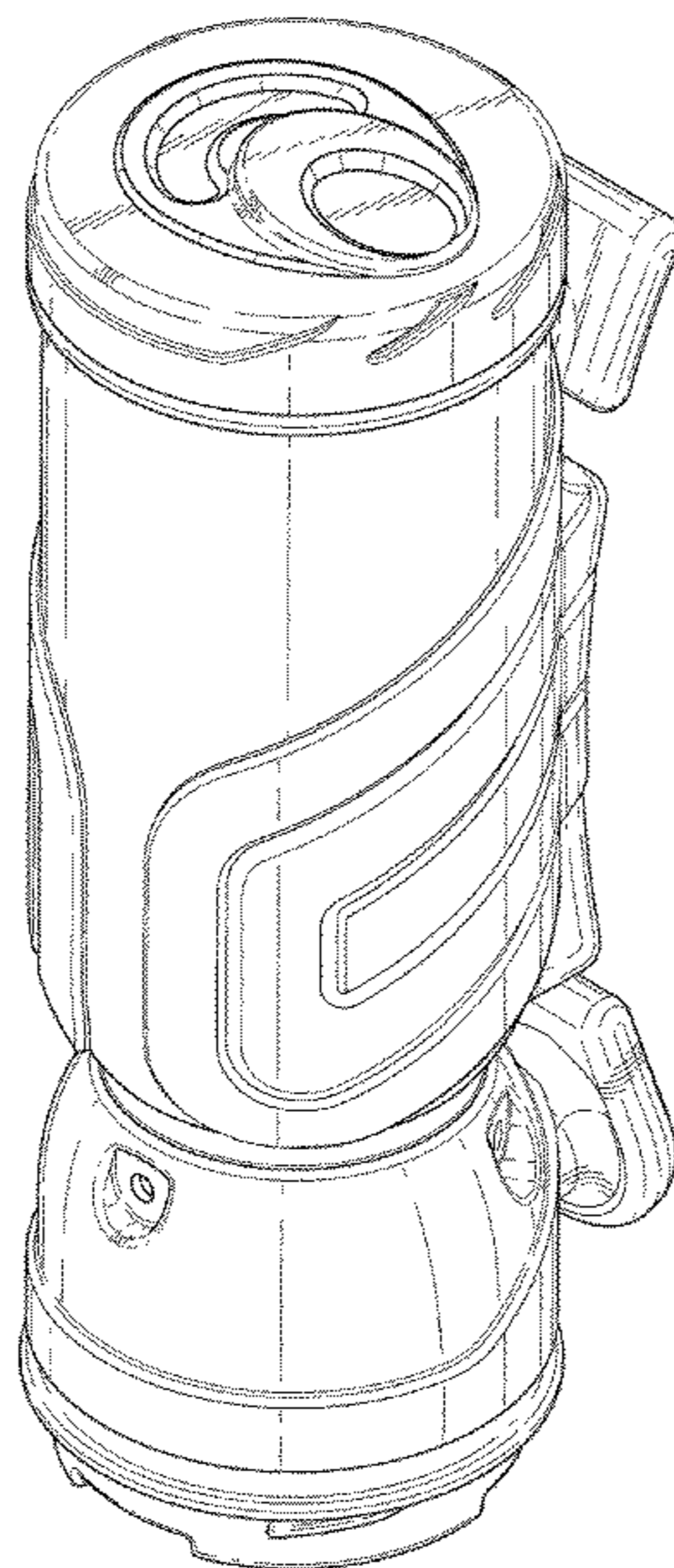
(57) **CLAIM**

I claim the ornamental design for a backpack vacuum cleaner,
as shown and described.

DESCRIPTION

FIG. 1 is a perspective view of a backpack vacuum cleaner
showing my new design;
FIG. 2 is a front elevational view thereof;
FIG. 3 is a left side elevational view thereof;
FIG. 4 is a rear elevational view thereof;
FIG. 5 is a right side elevational view thereof;
FIG. 6 is a top plan view thereof; and,
FIG. 7 is a bottom view thereof.

1 Claim, 6 Drawing Sheets



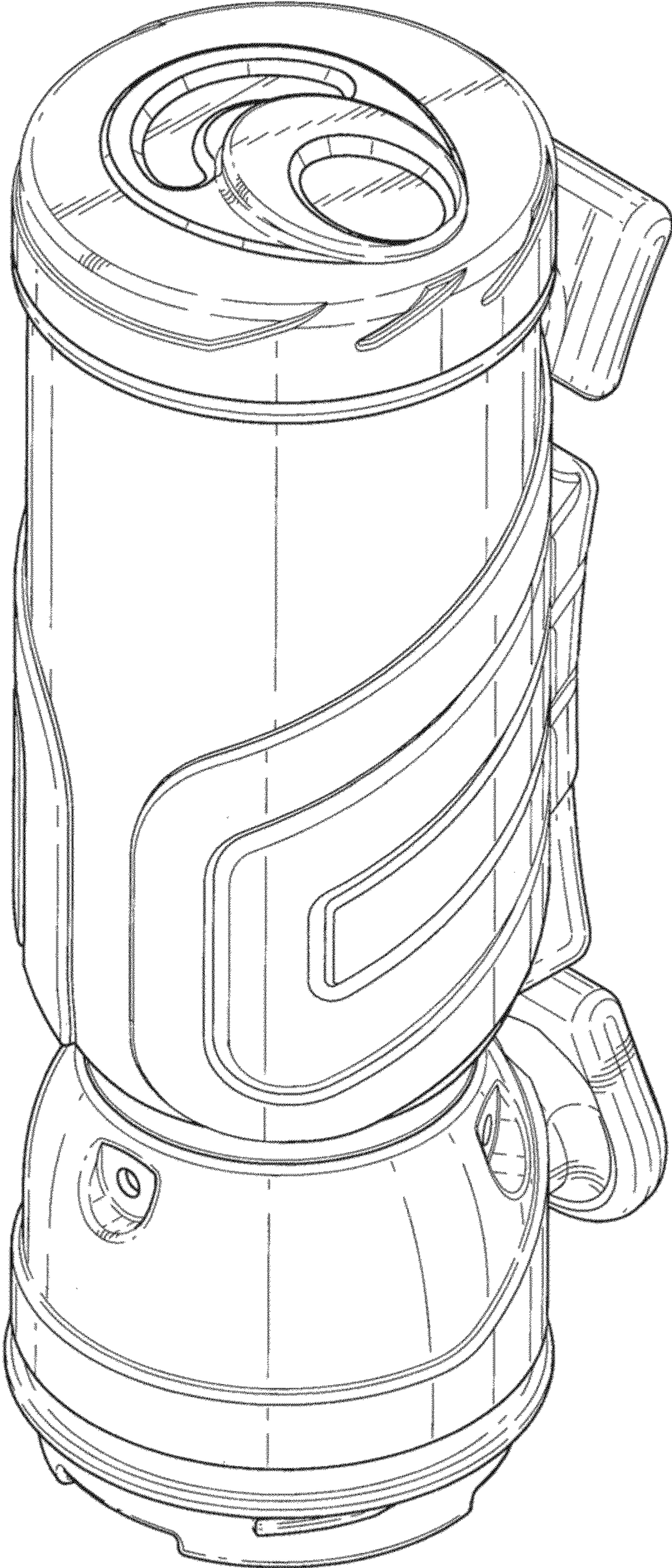


FIG. 1

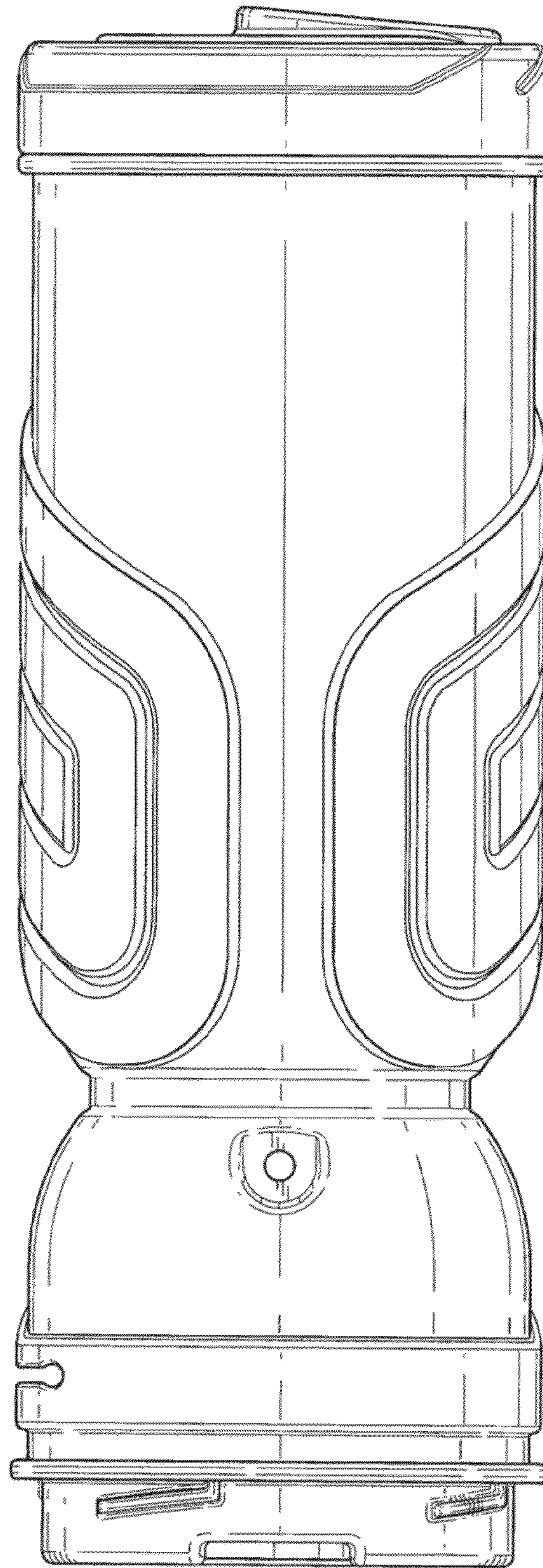


FIG. 2

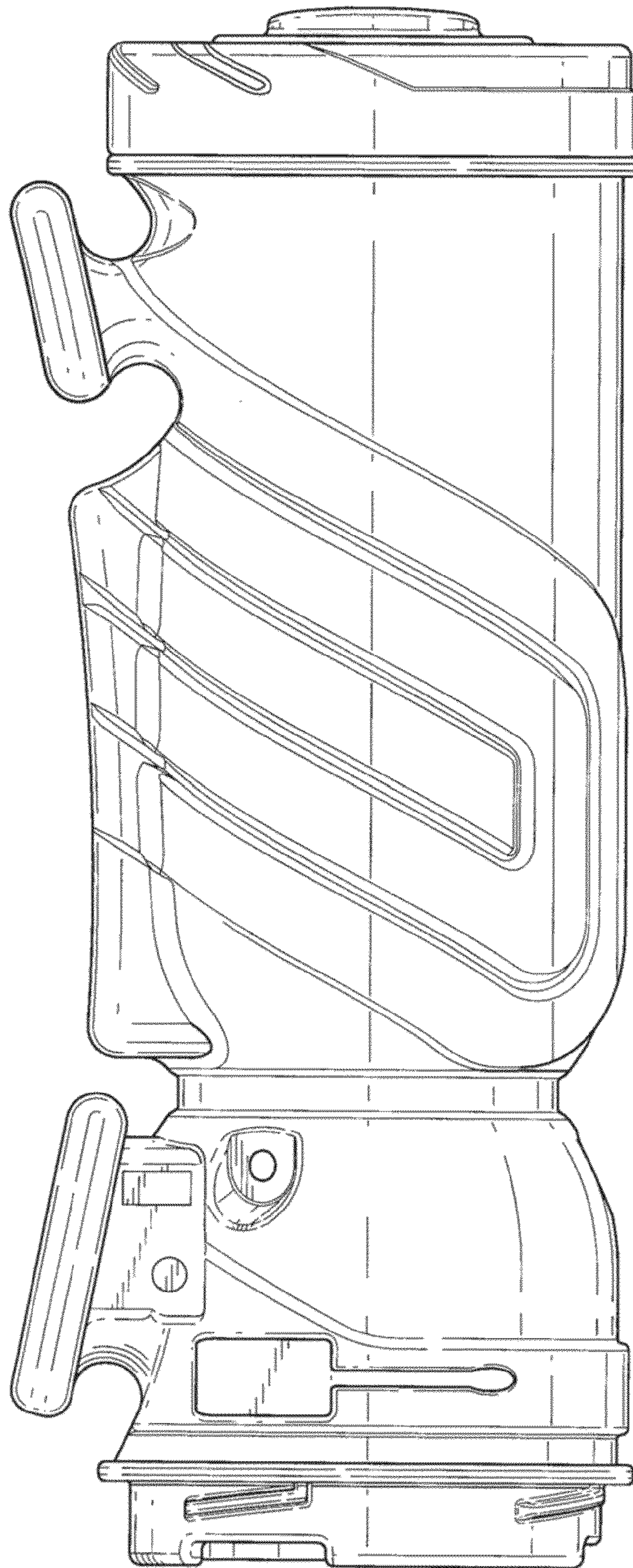


FIG. 3

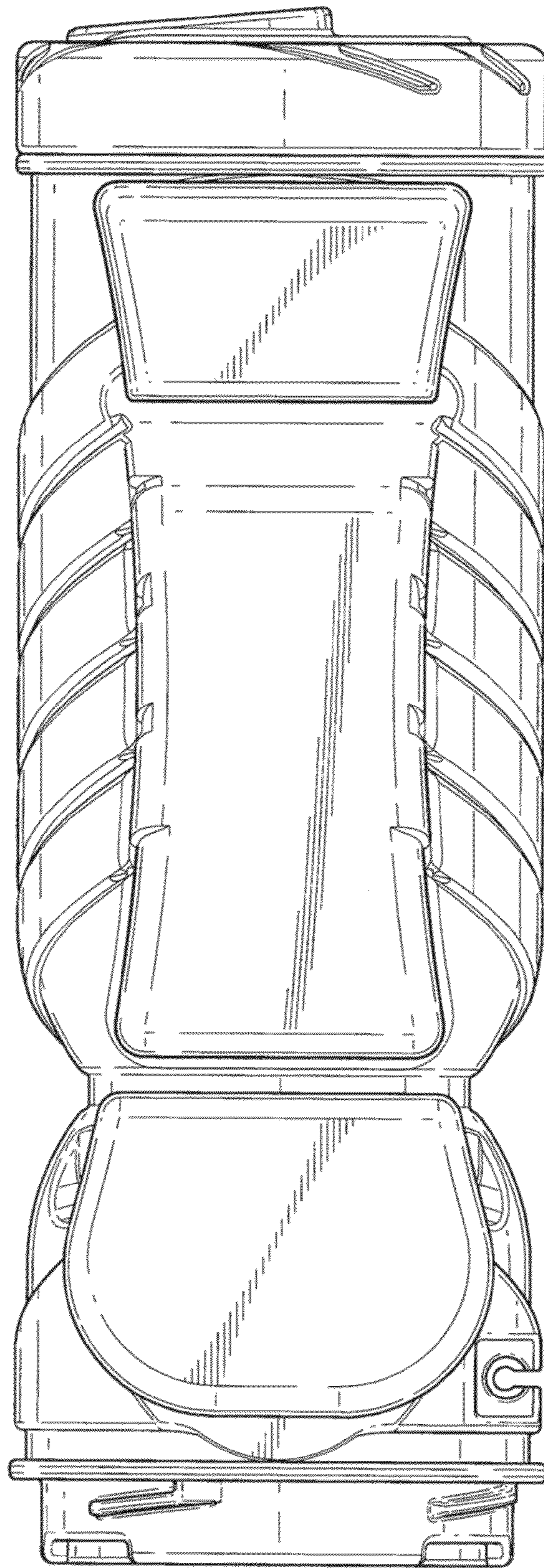


FIG. 4

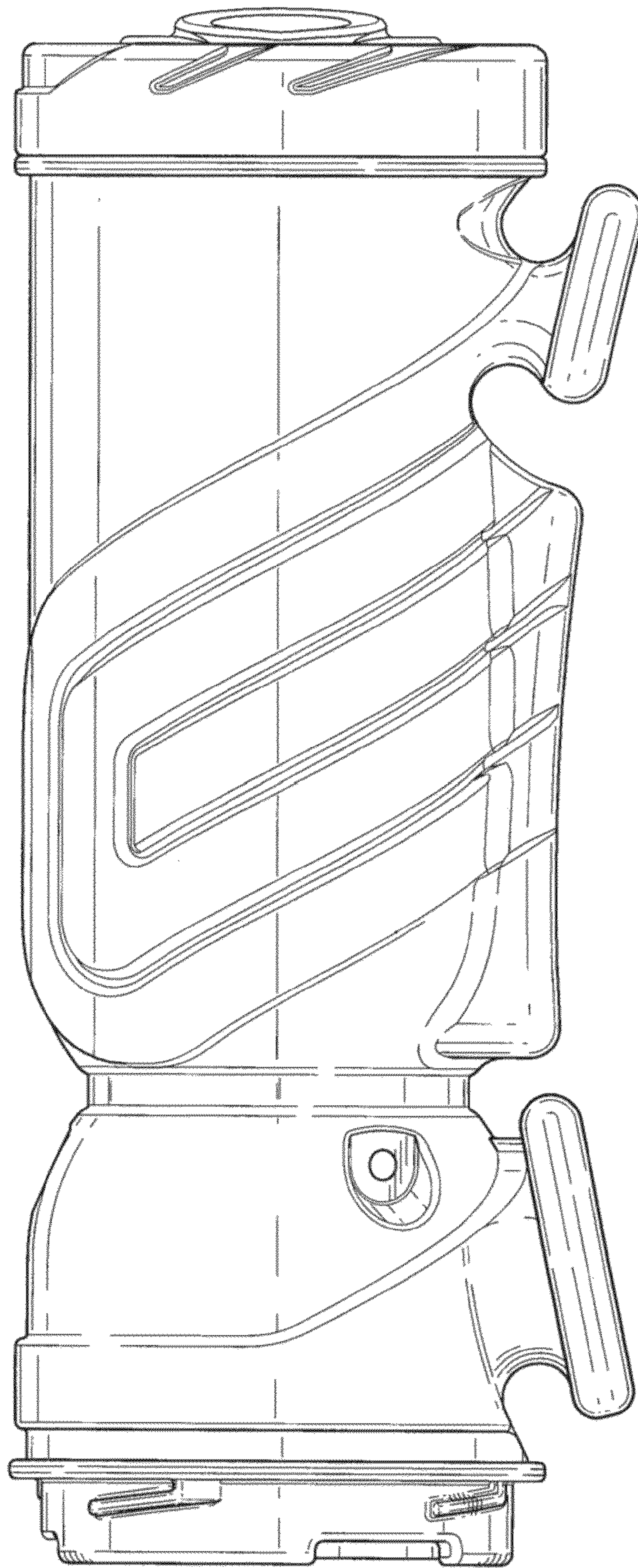


FIG. 5

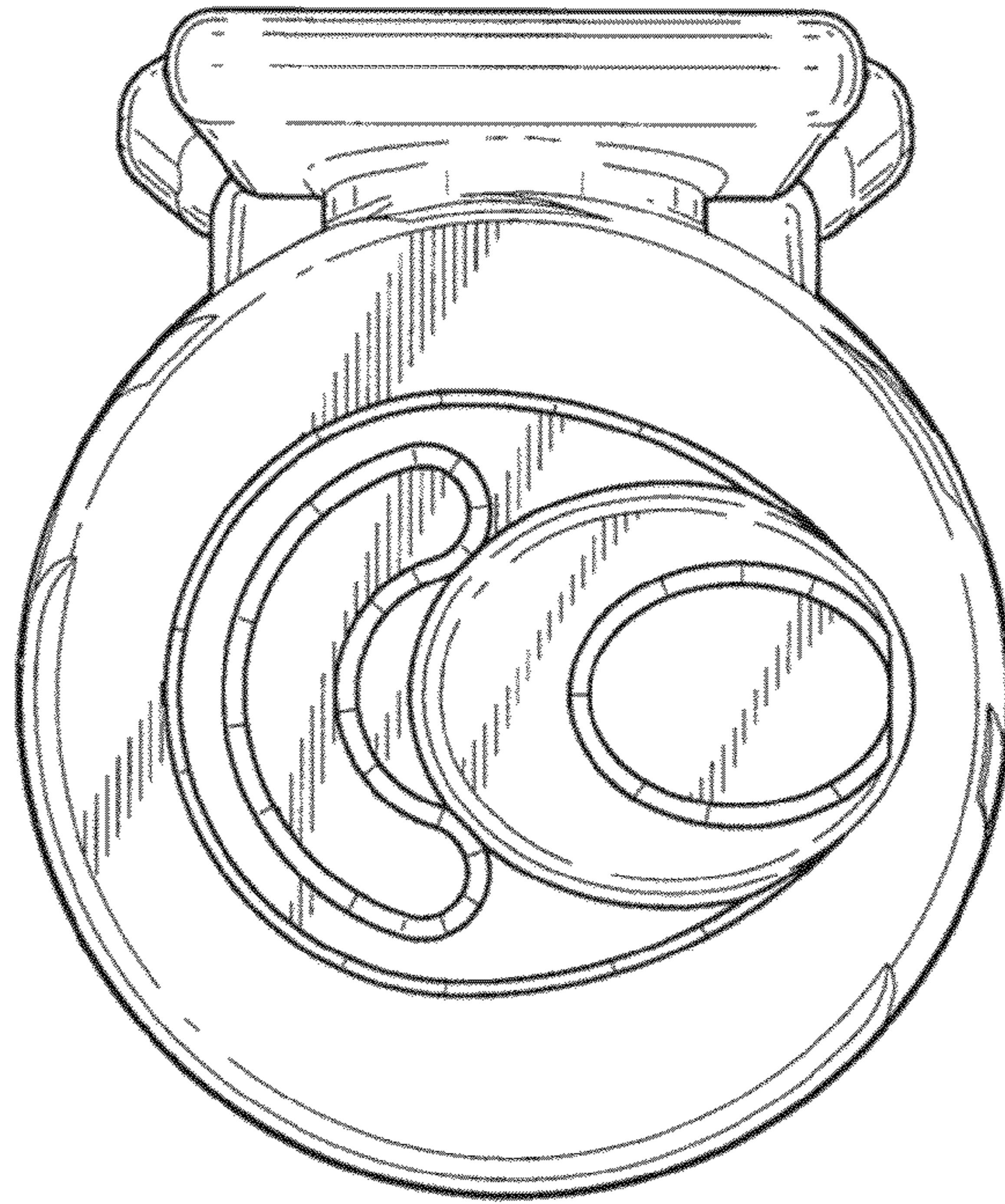


FIG. 6

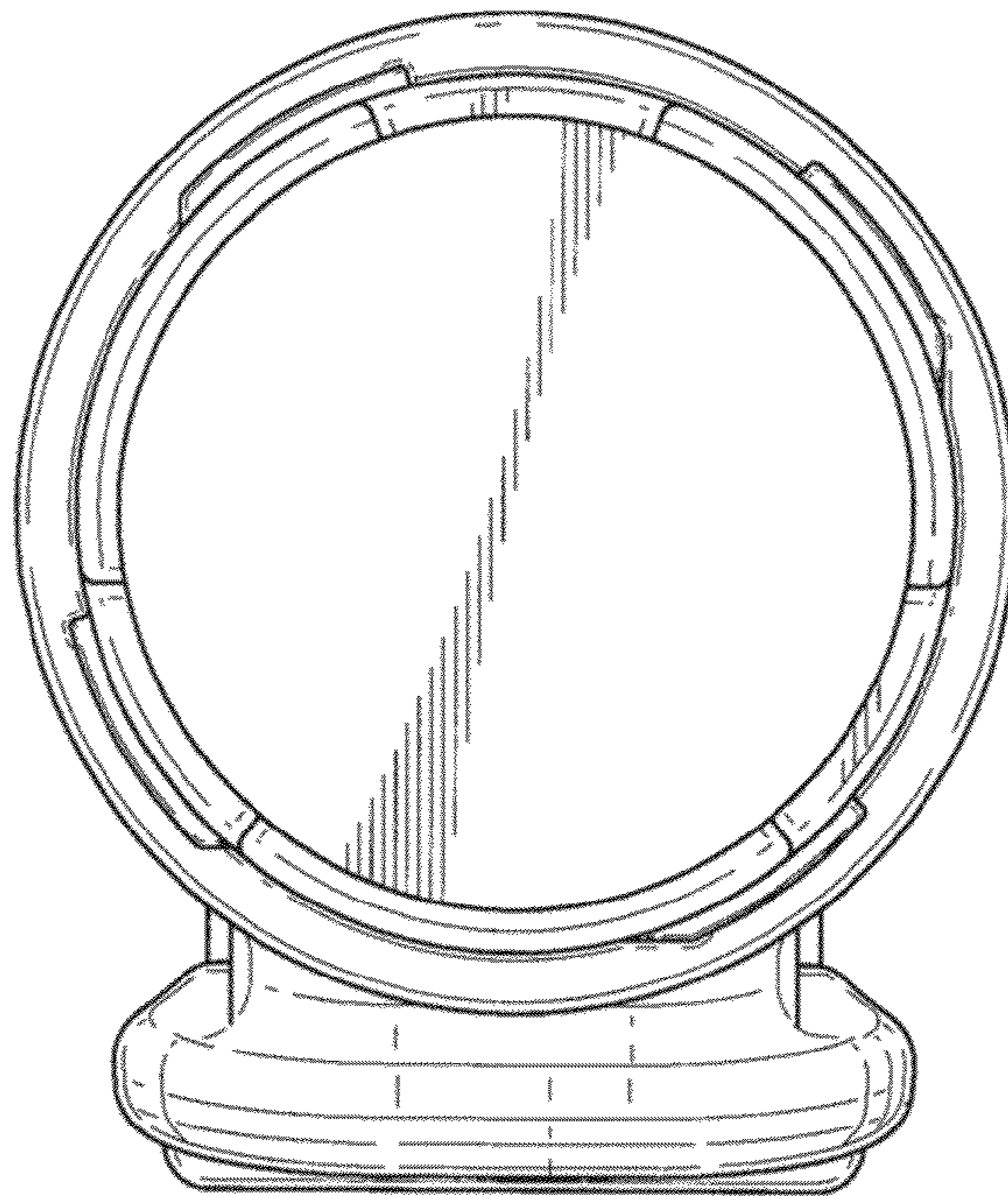


FIG. 7