



US00D686785S

(12) **United States Design Patent**
Johnston

(10) **Patent No.:** **US D686,785 S**

(45) **Date of Patent:** **** Jul. 23, 2013**

(54) **LEASH CADDY**

(71) Applicant: **Kenny A. Johnston**, Riverside, CA (US)

(72) Inventor: **Kenny A. Johnston**, Riverside, CA (US)

(**) Term: **14 Years**

(21) Appl. No.: **29/446,028**

(22) Filed: **Feb. 20, 2013**

(51) **LOC (9) Cl.** **30-04**

(52) **U.S. Cl.**
USPC **D30/153**

(58) **Field of Classification Search**
USPC D30/144, 145, 146, 151, 152, 153,
D30/199; D2/767, 500, 507, 602, 603, 609,
D2/627, 629, 639; D3/207, 208, 215, 218,
D3/226, 229, 231, 232, 233; 2/105, 129,
2/131, 133, 141.1, 242, 301, 311, 321, 322,
2/336, 338, 908, 910, 911, 912, 916, 919,
2/920; D11/1-6, 11, 86, 87, 200, 201, 215,
D11/218, 231; 119/174, 654, 769, 772, 792,
119/793, 794, 795, 796, 797, 798, 815, 821,
119/850, 855, 856, 858-860, 863-865, 907;
70/459; 224/250

See application file for complete search history.

(56) **References Cited**

U.S. PATENT DOCUMENTS

5,964,386 A * 10/1999 Cote 224/250
D438,000 S * 2/2001 Couchon et al. D3/231
6,314,917 B1 * 11/2001 Ryan 119/796

D463,074 S * 9/2002 Couchon et al. D30/153
D465,323 S * 11/2002 Dancyger D3/226
D526,749 S * 8/2006 Campbell D30/199
D548,897 S * 8/2007 Muster D30/199
D585,640 S * 2/2009 Case D3/218
D596,356 S * 7/2009 Danieli D30/153
D622,455 S * 8/2010 Scarnato D30/199
D651,767 S * 1/2012 Dias D30/153

* cited by examiner

Primary Examiner — Caron D Veynar

Assistant Examiner — Martie K Holtje

(74) *Attorney, Agent, or Firm* — Emery L. Tracy

(57) **CLAIM**

The ornamental design for a leash caddy, as shown and described.

DESCRIPTION

FIG. 1 is a perspective view of a leash caddy showing my new design;

FIG. 2 is a front elevational view thereof;

FIG. 3 is a rear elevational view thereof;

FIG. 4 is a left side elevational view thereof;

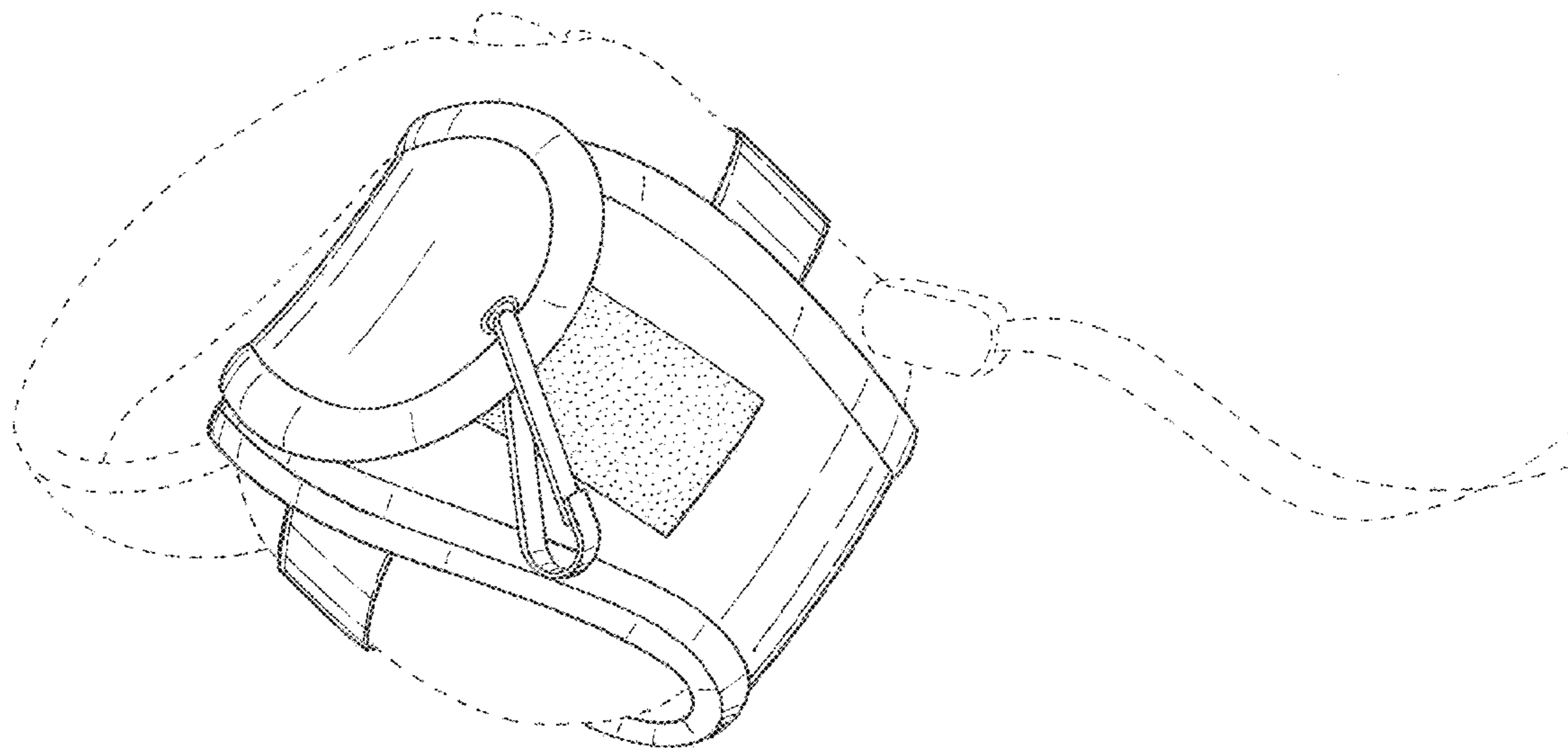
FIG. 5 is a right side elevational view thereof;

FIG. 6 is a top plan view thereof; and,

FIG. 7 is a bottom plan view thereof.

The broken line showing of the leash housing is included for the purpose of illustrating environment that forms no part of the claimed design.

1 Claim, 5 Drawing Sheets



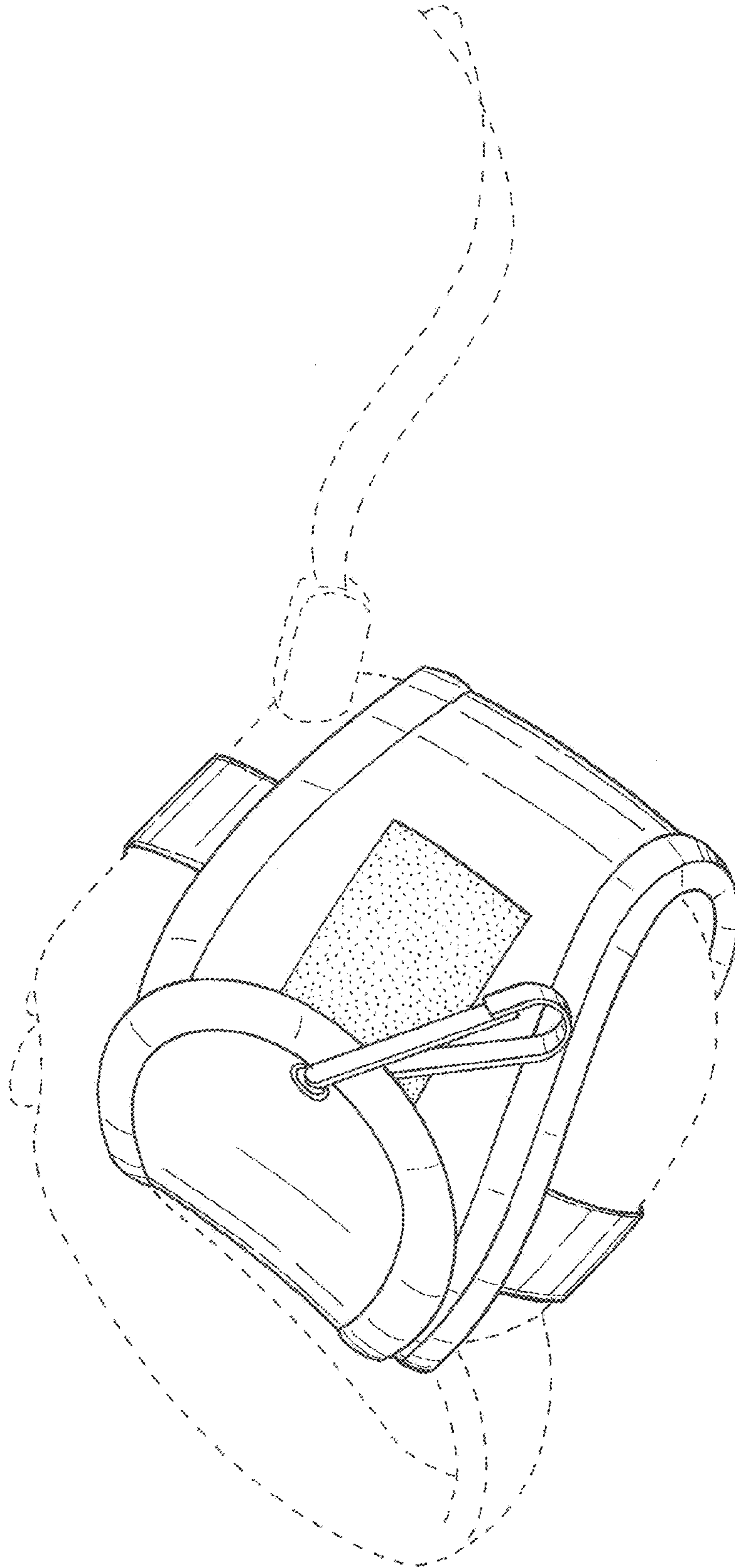


FIG. 1

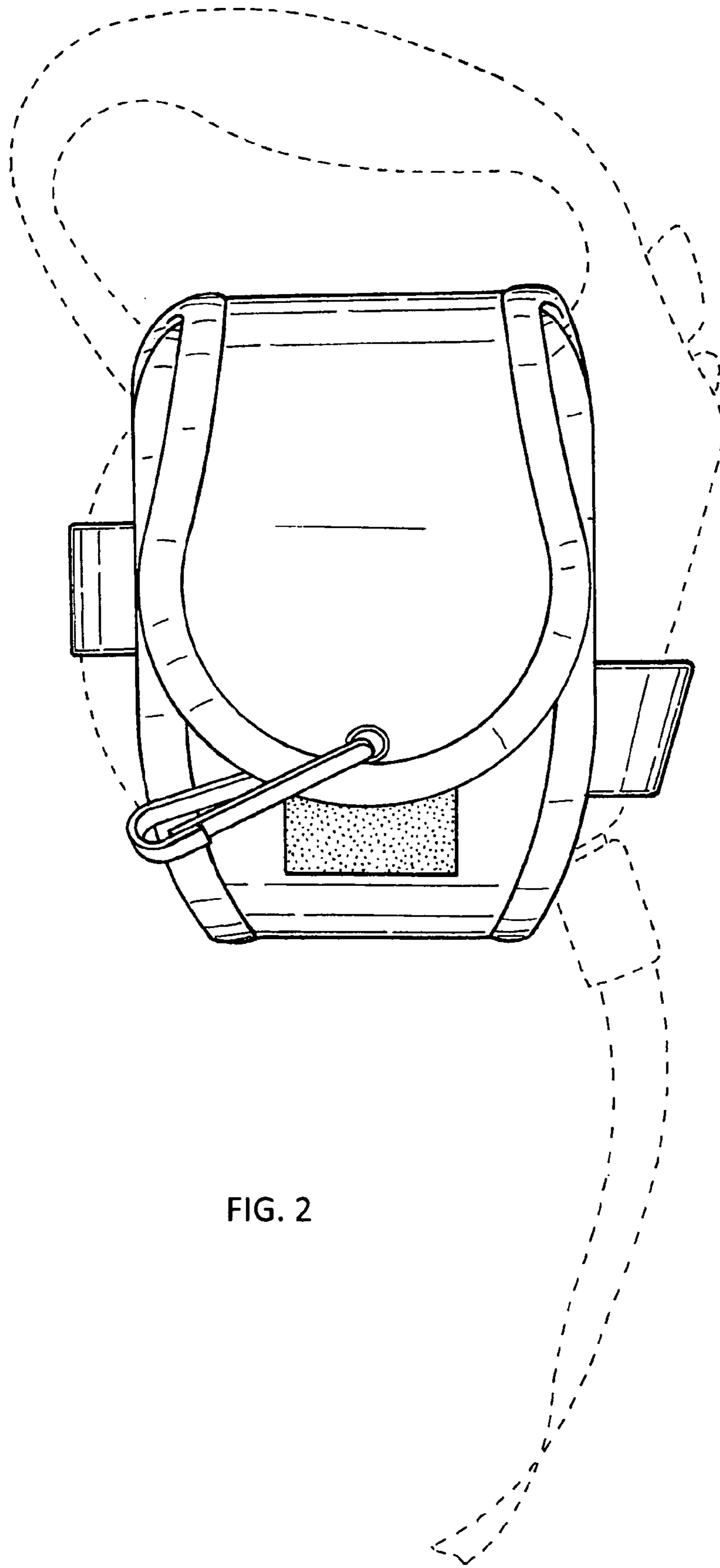


FIG. 2

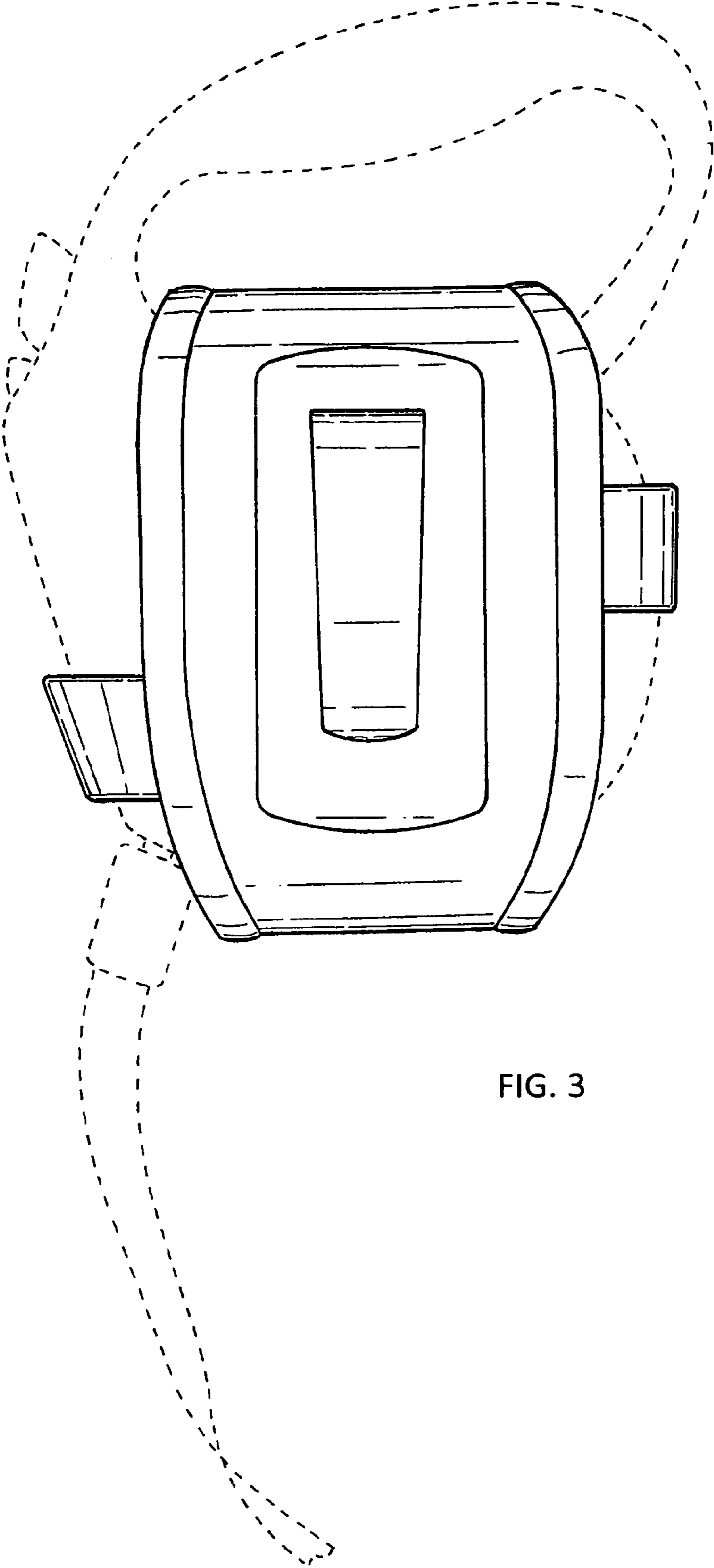


FIG. 3

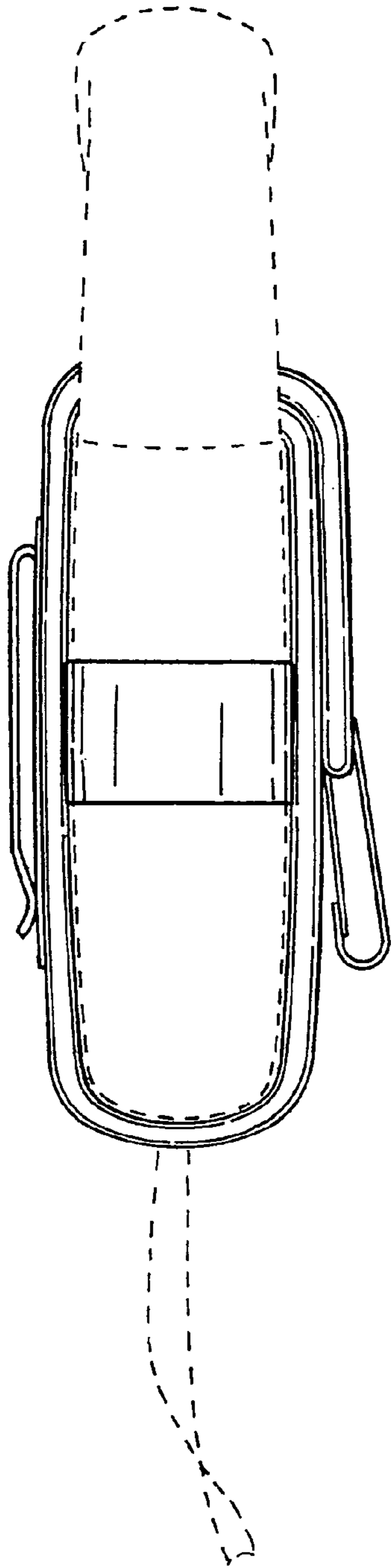


FIG. 4

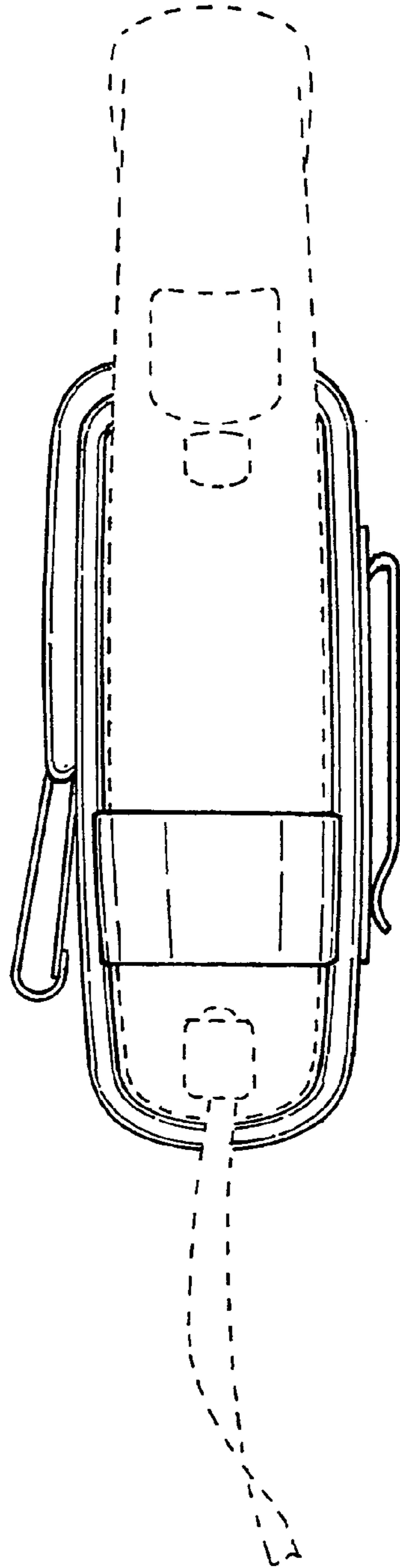


FIG. 5

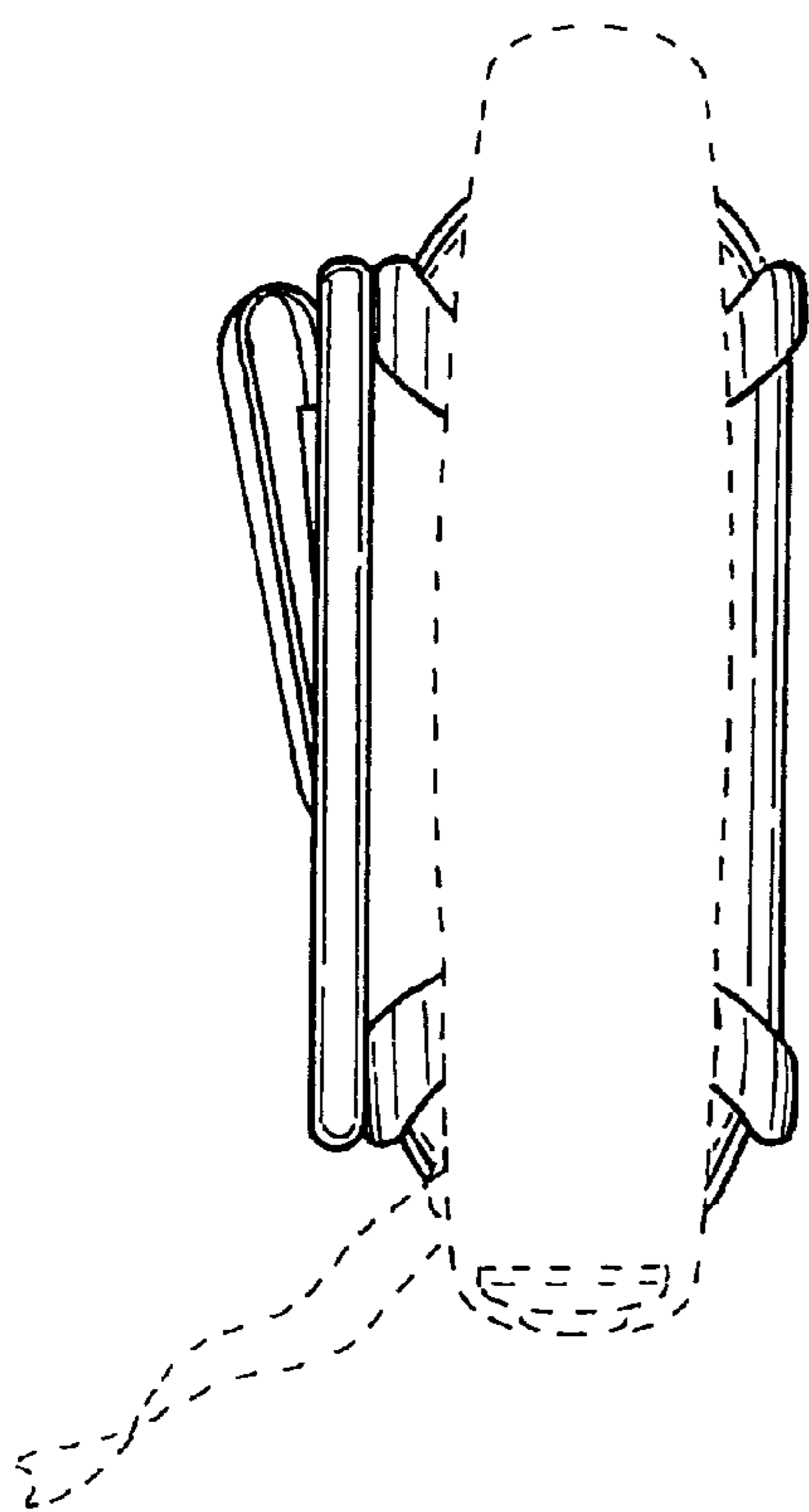


FIG. 6

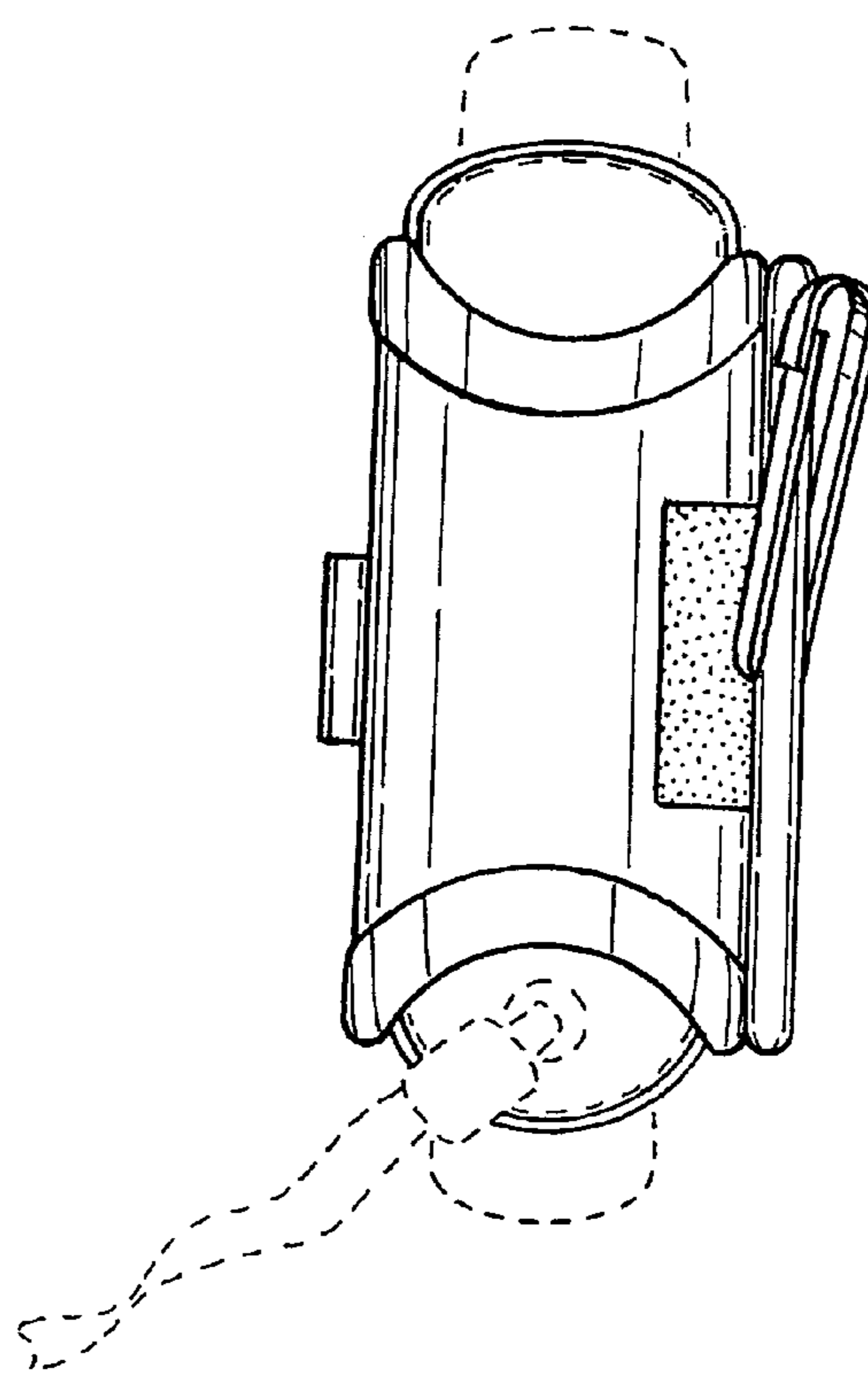


FIG. 7