



US00D686784S

(12) **United States Design Patent**
Elliott et al.

(10) **Patent No.:** **US D686,784 S**

(45) **Date of Patent:** **** Jul. 23, 2013**

(54) **PET DISH HOLDER**

(75) Inventors: **Theodore Elliott**, West Orange, NJ
(US); **Andrew Roost**, Fanwood, NJ (US)

(73) Assignee: **Pet Fusion, LLC.**, West Orange, NJ
(US)

(**) Term: **14 Years**

(21) Appl. No.: **29/431,514**

(22) Filed: **Sep. 7, 2012**

(51) **LOC (9) Cl.** **30-03**

(52) **U.S. Cl.**
USPC **D30/133**

(58) **Field of Classification Search**
USPC D30/133, 121, 128, 130, 132; 119/52.1,
119/55, 61.5-61.56; D6/480-485; 248/188;
312/204; 108/153.1-157
See application file for complete search history.

(56) **References Cited**

U.S. PATENT DOCUMENTS

D29,074 S *	7/1898	Albach	D7/364
D31,721 S *	10/1899	Griswold	D7/364
D34,490 S *	5/1901	Malton	D7/364
D55,496 S *	6/1920	White	D7/590
D81,285 S *	6/1930	Huntington	D6/406.6
D84,758 S *	7/1931	Samuels	D7/364
D85,096 S *	9/1931	Gratz	D7/364
1,831,593 A *	11/1931	Garvey	119/61.54
D89,262 S *	2/1933	Nunimaker	D30/130
D92,329 S *	5/1934	Weinhardt et al.	D7/364
D97,530 S *	11/1935	Knapp	D7/364
D101,156 S *	9/1936	Anthony	D7/364
D101,329 S *	9/1936	Cory,	D7/364
D103,503 S *	3/1937	Morgan	D7/364
D104,928 S *	6/1937	Lindemann	D7/364
D105,450 S *	7/1937	Clifton	D30/130
D107,453 S *	12/1937	Preston	D7/364
D109,359 S *	4/1938	Stocker	D7/364

D118,821 S *	2/1940	Huenefeld	D7/364
D132,893 S *	6/1942	Corbett	D6/406.6
D139,561 S *	11/1944	Wentling	D7/705
2,741,901 A *	4/1956	Silos	211/85.4
D177,719 S *	5/1956	Crispell	D7/364
D180,720 S *	7/1957	Orvedahl	D6/406.6
2,841,114 A *	7/1958	Grant	119/52.4
2,845,896 A *	8/1958	Copeland	119/51.01
D185,809 S *	8/1959	Myers et al.	D7/708
2,903,311 A *	9/1959	Earhart	108/34
2,906,412 A *	9/1959	Tanner	211/74
D188,415 S *	7/1960	Scheurer	D12/419

(Continued)

OTHER PUBLICATIONS

Absolute blk double bowl dog feeder product description, downloaded from www.kitchenandbathcenter.us/abblkdobodog.html on Jun. 27, 2012.

(Continued)

Primary Examiner — Susan Moon Lee

(74) *Attorney, Agent, or Firm* — Myers Wolin, LLC

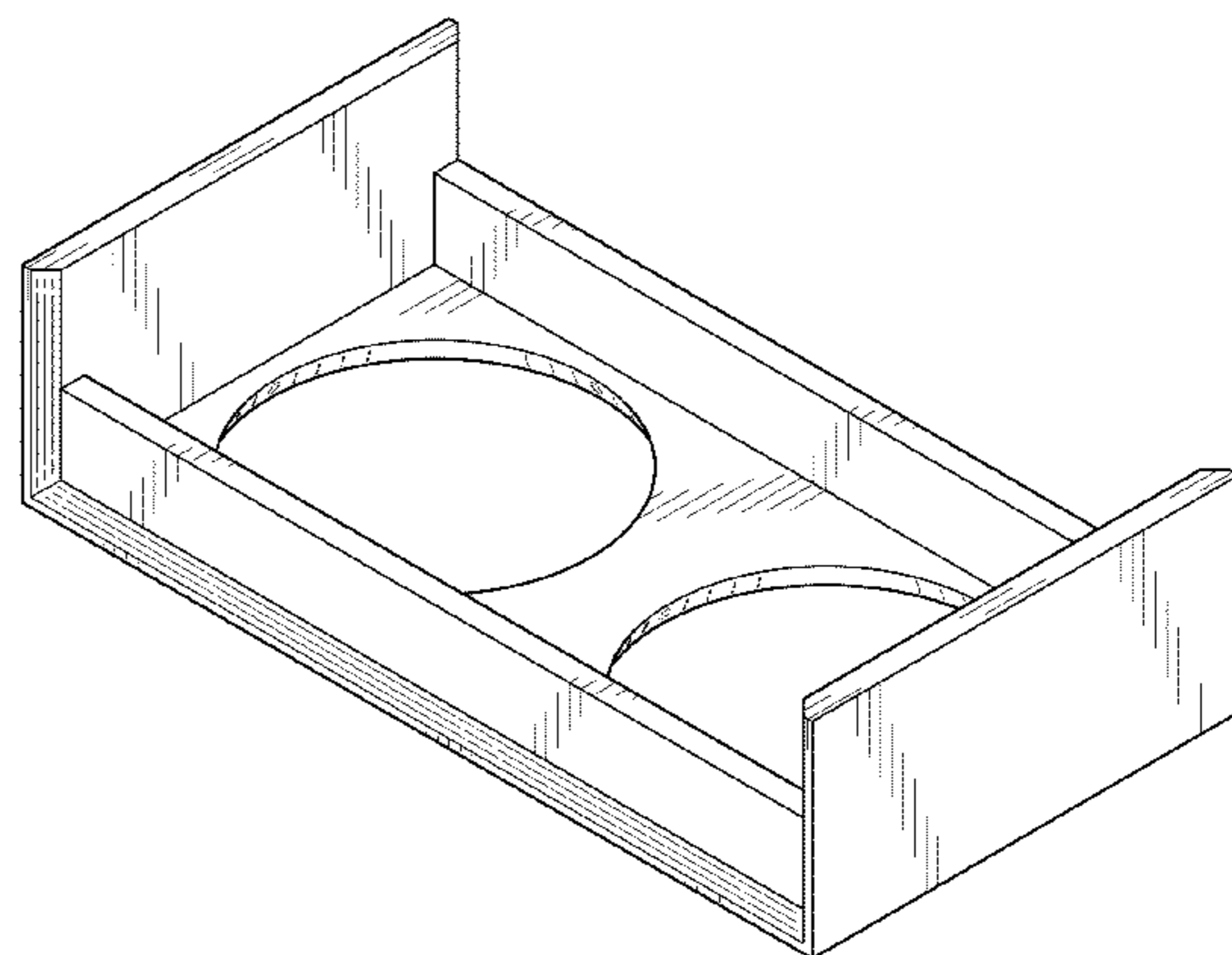
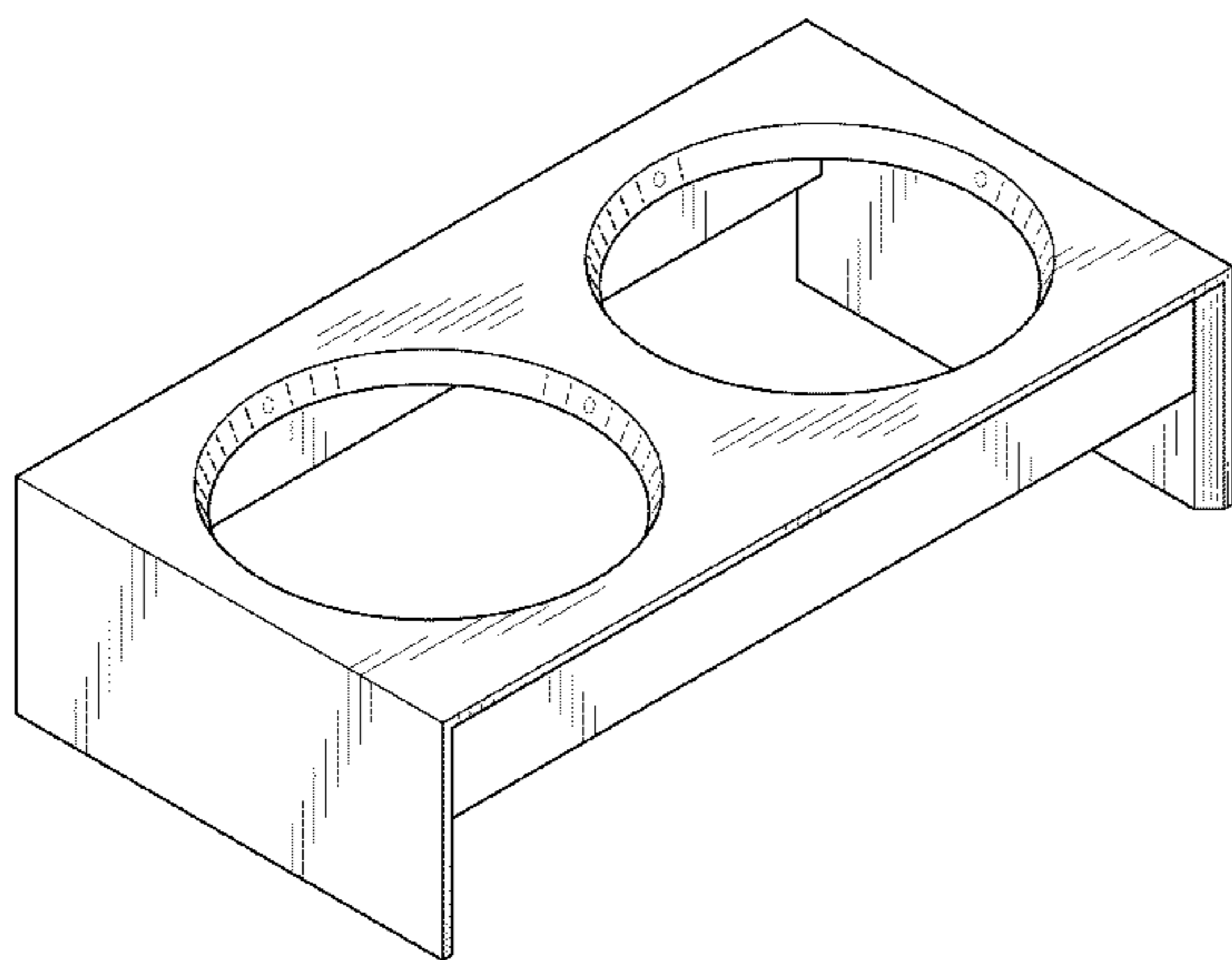
(57) **CLAIM**

The ornamental design for a pet dish holder, as shown and described.

DESCRIPTION

FIG. 1 is a top isometric view of a pet dish holder showing our new design;
FIG. 2 is a bottom isometric view thereof;
FIG. 3 is a front elevation view thereof, the rear elevation view being identical;
FIG. 4 is a right side elevation view thereof, the left side elevation being identical;
FIG. 5 is a top view thereof; and,
FIG. 6 is a bottom view thereof.
The broken line showing of small circles within the band of the inner rim of the circular openings is not claimed.

1 Claim, 3 Drawing Sheets



US D686,784 S

U.S. PATENT DOCUMENTS

D193,244	S	*	7/1962	Bliss	D6/406.6
D196,665	S	*	10/1963	Barnett	D7/701
D199,164	S	*	9/1964	Simpkins	D7/364
D200,083	S	*	1/1965	Duncan	D7/364
3,176,656	A	*	4/1965	Bates	119/62
3,180,316	A	*	4/1965	Chatfield et al.	119/51.12
D207,062	S	*	2/1967	Blair, Sr.	D7/553.5
3,338,628	A	*	8/1967	Evans	297/188.2
D209,677	S	*	12/1967	Robert	D30/133
D218,908	S	*	10/1970	Bright et al.	D7/605
D218,980	S	*	10/1970	Balkus	D6/406.6
3,561,589	A	*	2/1971	Larkin et al.	224/42.11
D221,217	S	*	7/1971	Beychok	D12/419
3,631,840	A	*	1/1972	McCormack	119/51.12
3,651,787	A	*	3/1972	Cooper	119/51.01
D232,870	S	*	9/1974	Fry	D12/419
D233,293	S	*	10/1974	Rosen	D6/484
D234,318	S	*	2/1975	Starrett	D15/79
3,874,085	A	*	4/1975	Atkins	33/524
3,893,569	A	*	7/1975	Hoch	211/74
3,899,161	A	*	8/1975	McGann, Jr.	269/13
3,915,304	A	*	10/1975	Pasco et al.	206/545
D237,787	S	*	11/1975	Weirich, Jr.	D34/24
3,939,986	A	*	2/1976	Pierro	211/74
D241,221	S	*	8/1976	Cormier	D7/701
4,044,723	A	*	8/1977	Fitzpatrick	119/61.5
D246,245	S	*	11/1977	Gill et al.	D7/364
4,065,195	A	*	12/1977	Fahmie	312/258
4,145,603	A	*	3/1979	Mackay et al.	219/387
D252,310	S	*	7/1979	Shannon	D7/619.1
D255,752	S	*	7/1980	Kallstrom	D7/708
D257,914	S	*	1/1981	Wooters	D12/419
D258,018	S	*	1/1981	Venditto et al.	D30/130
D260,043	S	*	7/1981	Robinson	D30/129
D263,784	S	*	4/1982	Butler et al.	D27/126
D264,168	S	*	5/1982	Teuber et al.	D7/701
D274,660	S	*	7/1984	Williams	D6/483
4,524,701	A	*	6/1985	Chappell	108/44
D279,845	S	*	7/1985	Holliman	D14/457
D282,043	S	*	1/1986	Morin	D7/552.2
4,633,815	A	*	1/1987	Peterson et al.	119/72
D289,247	S	*	4/1987	Wang	D7/555
4,658,759	A	*	4/1987	Brown	119/61.5
4,699,089	A	*	10/1987	Teschke	119/51.5
D293,947	S	*	1/1988	Yunker	D30/130
D296,284	S	*	6/1988	Colby	D6/487
4,756,572	A	*	7/1988	Dykstra et al.	297/188.17
4,793,290	A	*	12/1988	O'Donnell	119/62
D300,290	S	*	3/1989	Moberg	D7/701
D308,450	S	*	6/1990	Harris et al.	D6/406.6
D314,314	S	*	2/1991	Shipman	D7/708
D315,974	S	*	4/1991	Steiner	D30/131
D316,203	S	*	4/1991	Chao	D6/601
D316,214	S	*	4/1991	O'Donnell	D8/14
D318,579	S	*	7/1991	Palmer	D6/406.6
D318,960	S	*	8/1991	Lilly et al.	D6/406.6
D319,730	S	*	9/1991	Steenenson	D12/420
D319,901	S	*	9/1991	Steiner	D30/131
D322,887	S	*	1/1992	Kraker	D12/420
D323,447	S	*	1/1992	Booz	D7/705
D324,192	S	*	2/1992	Waltel, Jr.	D11/164
D324,799	S	*	3/1992	Shoemaker	D7/701
D326,962	S	*	6/1992	Mowry et al.	D6/406.6
5,152,247	A	*	10/1992	Brown	119/464
5,170,720	A	*	12/1992	Scheurer	108/44
5,174,245	A	*	12/1992	Bishop	119/73
D333,064	S	*	2/1993	Sorrel	D7/364
D335,007	S	*	4/1993	McPhee	D30/133
D335,767	S	*	5/1993	Yates	D12/419
D338,576	S	*	8/1993	Livi	D6/484
D340,301	S	*	10/1993	Evans et al.	D26/58
D340,552	S	*	10/1993	Smith	D30/121
D340,594	S	*	10/1993	Lambert	D6/406.6
D342,170	S	*	12/1993	Palmer	D12/425
D342,350	S	*	12/1993	Gower	D30/133
5,327,838	A	*	7/1994	Beltman	108/25
D355,544	S	*	2/1995	Cartwright	D6/469
D358,158	S	*	5/1995	Bush	D16/222
5,427,292	A	*	6/1995	Rousch	224/275
D359,862	S	*	7/1995	Rousch	D6/406.6
D363,643	S	*	10/1995	Eisenberg	D7/552.1
D373,198	S	*	8/1996	Hill et al.	D24/230
D374,513	S	*	10/1996	Melvin	D30/121
D374,517	S	*	10/1996	Morrill	
D374,856	S	*	10/1996	Berninger	D12/419
D375,818	S	*	11/1996	Fischer	D30/130
D376,928	S	*	12/1996	Lorenzana et al.	D6/406.5
D377,244	S	*	1/1997	Steininger	
D377,273	S	*	1/1997	Amos	D6/406.6
5,624,043	A	*	4/1997	Baptista	211/74
D385,068	S	*	10/1997	Malcolm	D30/130
D386,838	S	*	11/1997	Pini et al.	D30/133
D390,718	S	*	2/1998	Howland et al.	D6/406.6
5,718,405	A	*	2/1998	Adachi	248/311.2
D393,107	S	*	3/1998	Tsengas	D30/121
5,730,081	A	*	3/1998	Tsengas	119/51.5
D397,278	S	*	8/1998	Wang	D7/701
D404,219	S	*	1/1999	Patterson	D6/406.6
D405,291	S	*	2/1999	Yu	D6/406.5
D408,225	S	*	4/1999	Hodosh	D7/605
D412,377	S	*	7/1999	Sharon	D30/130
D414,303	S	*	9/1999	Sharon	D30/130
D424,252	S	*	5/2000	Hirsh	D30/130
D424,759	S	*	5/2000	Sipka	
D425,262	S	*	5/2000	Scott et al.	D30/130
D446,611	S	*	8/2001	Gunter	
D477,691	S	*	7/2003	Crowley	D30/131
D478,193	S	*	8/2003	Routh	
D491,012	S	*	6/2004	Rogers	D7/364
D499,029	S	*	11/2004	Maarberg	D10/46.3
D505,523	S	*	5/2005	Rahman	
D506,294	S	*	6/2005	Boje	D30/133
D506,295	S	*	6/2005	Hammer et al.	D30/133
D513,151	S	*	12/2005	Currie	D7/364
D521,690	S	*	5/2006	Krcek et al.	
7,124,709	BI	*	10/2006	Greer	119/61.5
D534,397	S	*	1/2007	Burch	D7/620
D551,038	S	*	9/2007	Evaimalo et al.	D7/708
7,341,019	BI	*	3/2008	Tsengas	119/61.5
D580,110	S	*	11/2008	Tsengas	D30/133
D588,373	S	*	3/2009	Rushton	D6/406.6
D591,074	S	*	4/2009	Powers et al.	D6/406.6
D592,814	S	*	5/2009	Uffner et al.	D30/133
D602,652	S	*	10/2009	Horvath	D30/130
7,658,267	BI	*	2/2010	Welsh	182/181.1
D617,134	S	*	6/2010	Perkins	D7/364
D618,862	S	*	6/2010	Shamoon et al.	D30/133
D621,559	S	*	8/2010	Clark, Jr.	D30/133
D621,560	S	*	8/2010	McMurphy	D30/133
D622,013	S	*	8/2010	Aho	D30/133
D625,887	S	*	10/2010	Becattini et al.	D30/133
D638,670	S	*	5/2011	Breitenmoser	D7/701
7,938,083	BI	*	5/2011	Huether et al.	119/61.5
D641,937	S	*	7/2011	Pitter	D30/133
D642,338	S	*	7/2011	Becattini et al.	D30/133
D646,440	S	*	10/2011	Chance et al.	D30/133
D646,441	S	*	10/2011	Chance et al.	D30/133
D646,442	S	*	10/2011	Chance et al.	D30/133
D647,667	S	*	10/2011	Siklosi	
D647,668	S	*	10/2011	Siklosi	D30/133
D651,039	S	*	12/2011	O'Neill et al.	D7/364
D651,845	S	*	1/2012	O'Neill et al.	D7/364
D653,001	S	*	1/2012	Tsengas	D30/133
D653,914	S	*	2/2012	Lutz	D7/624.1
D657,920	S	*	4/2012	Rivera, Sr.	D30/133
D662,265	S	*	6/2012	Lee et al.	D30/133
D662,674	S	*	6/2012	Tsengas	D30/133
D666,782	S	*	9/2012	Wygle	D30/118
D667,175	S	*	9/2012	McMurphy	D30/133
D670,452	S	*	11/2012	Caruso	D30/133
8,360,441	B2	*	1/2013	Caruso et al.	280/33.992
D676,612	S	*	2/2013	Wygle	D30/118
D677,019	S	*	2/2013	Cirincione et al.	D30/133
2003/0106498	A1	*	6/2003	Mersits et al.	119/61
2005/0115508	A1	*	6/2005	Little	119/61.5

2007/0199511	A1*	8/2007	Weinblatt	119/61.5
2008/0196668	A1*	8/2008	Clark	119/51.5
2009/0241844	A1*	10/2009	Becattini et al.	119/51.5
2010/0107984	A1*	5/2010	Uffner et al.	119/61.5
2010/0162961	A1*	7/2010	Hove et al.	119/51.5
2010/0300365	A1*	12/2010	Weinblatt	119/61.5

OTHER PUBLICATIONS

“Classy Bones” Raised Dog Feeder Set Blue 10" product description, downloaded from monstermarketplace.com/chow-hounds-doggie-dinnerware/classy-bones-raised-dog-feeder-set-blue-10 on Jun. 27, 2012.

Elevated Dog Bowls Two 3 Quart Bowls product description, downloaded from www.pupstomutts.com/elevated-dog-bowls-3quart.php on Jun. 27, 2012.

Etsy :: Elevated Pet Feeder 18 inches tall product description, downloaded from www.stylehive.com/bookmark/etsy-elevated-pet-feeder-18-inches-tall-290353 on Jun. 27, 2012.

Mahogany Elevated Pet Feeder product description, downloaded from poochhouse.com/store-products-Mahogany-Elevated-Pet-Feeder-Mahogany-Elevated-Pet-Feeder_1 . . . on Jun. 27, 2012.

Meshidai Double Feeder Contemporary, Zen-Like Design ! product description, downloaded from <http://www.browsers.com/pet-accessories/meshidai-double-feeder.html> on Sep. 18, 2012.

* cited by examiner

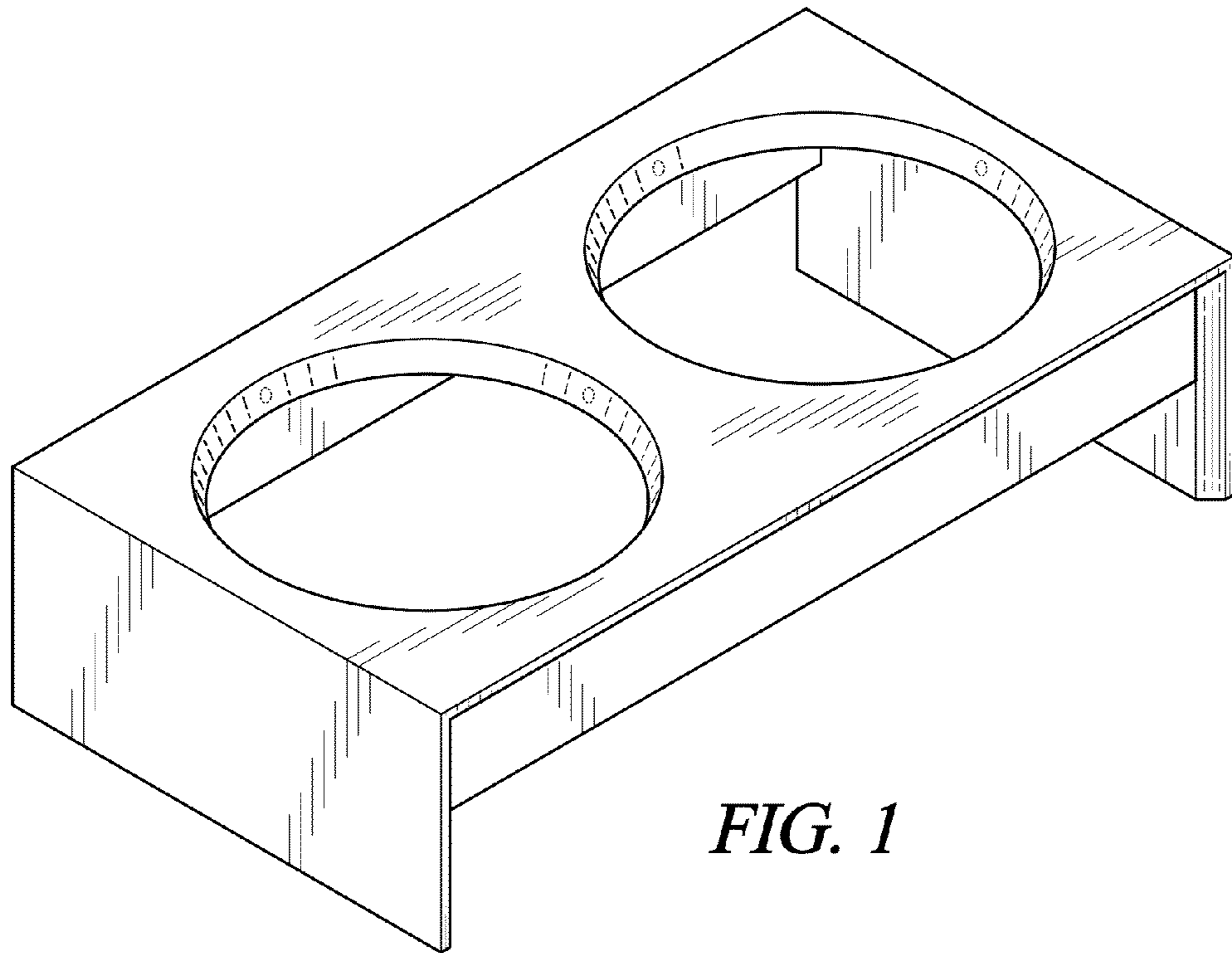


FIG. 1

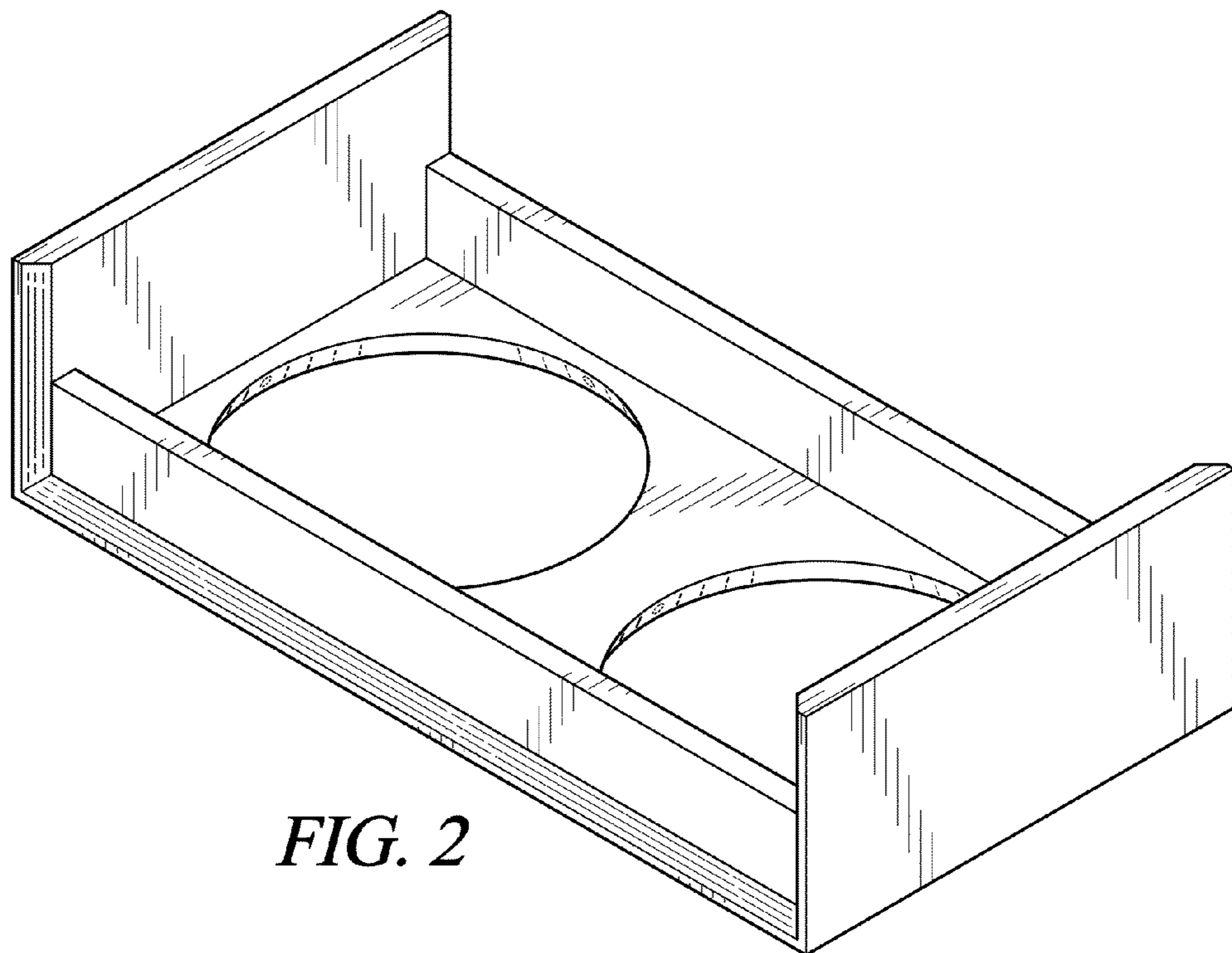


FIG. 2

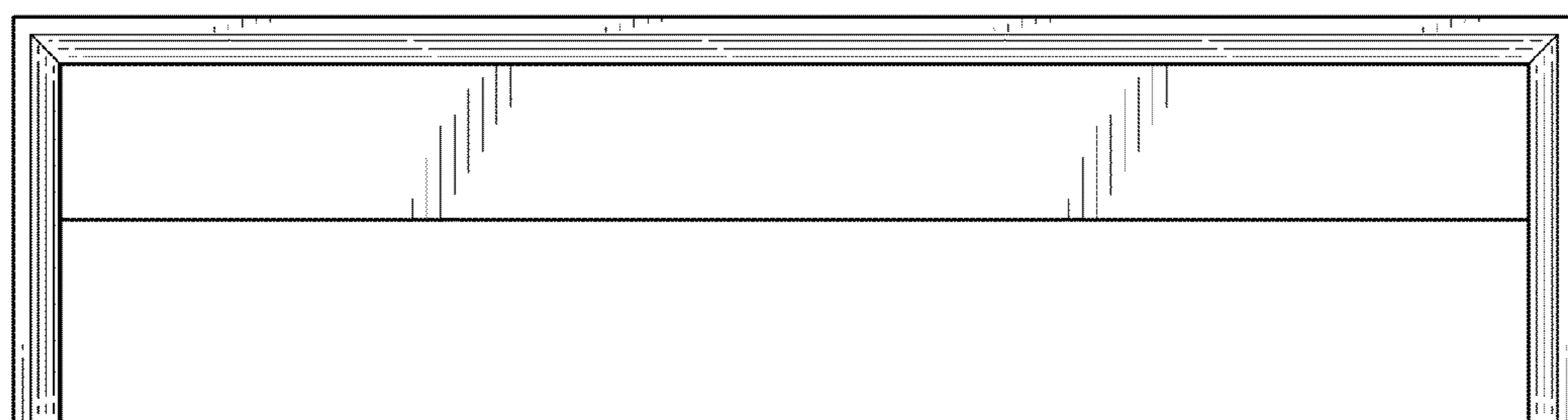


FIG. 3

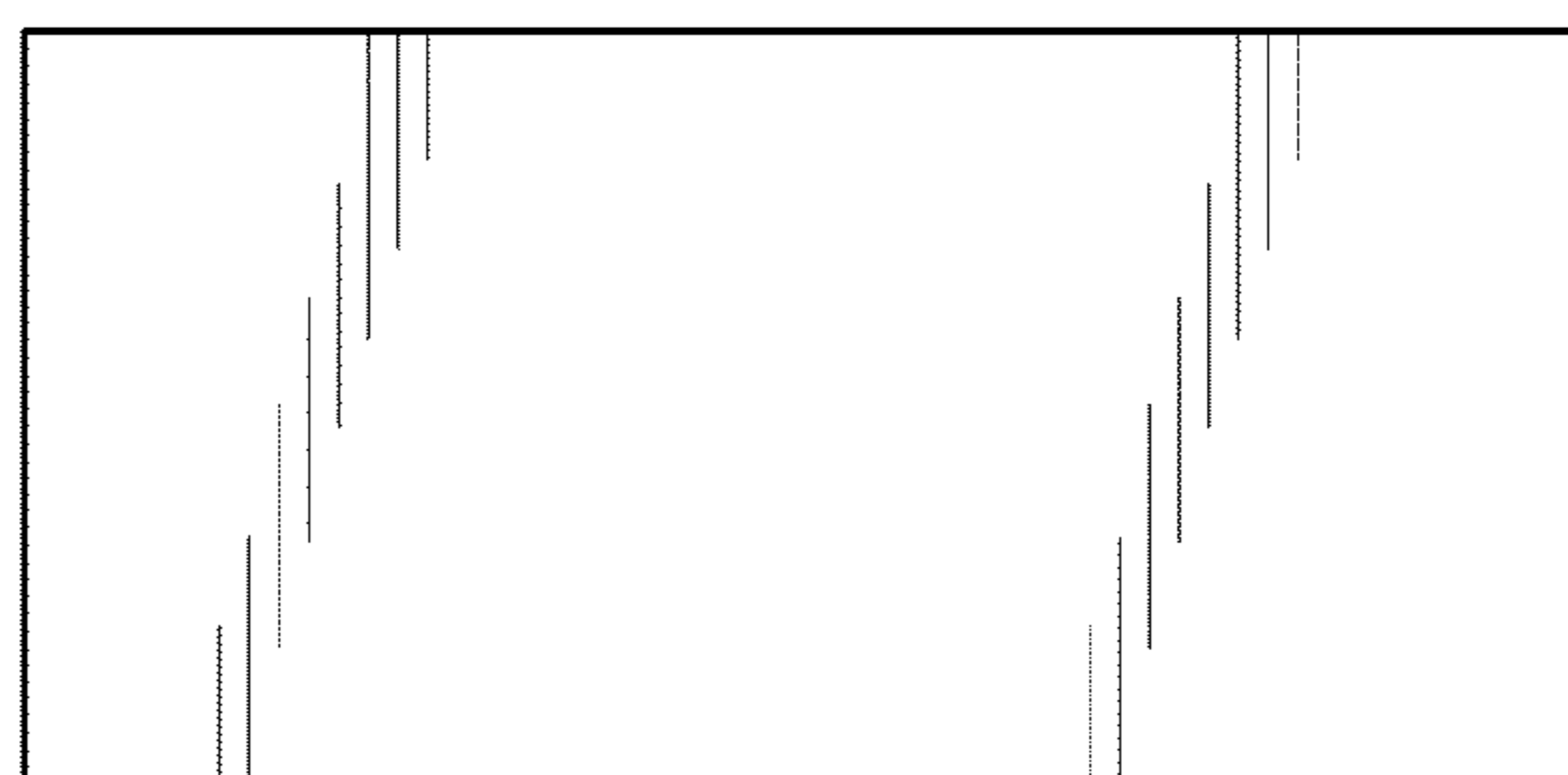


FIG. 4

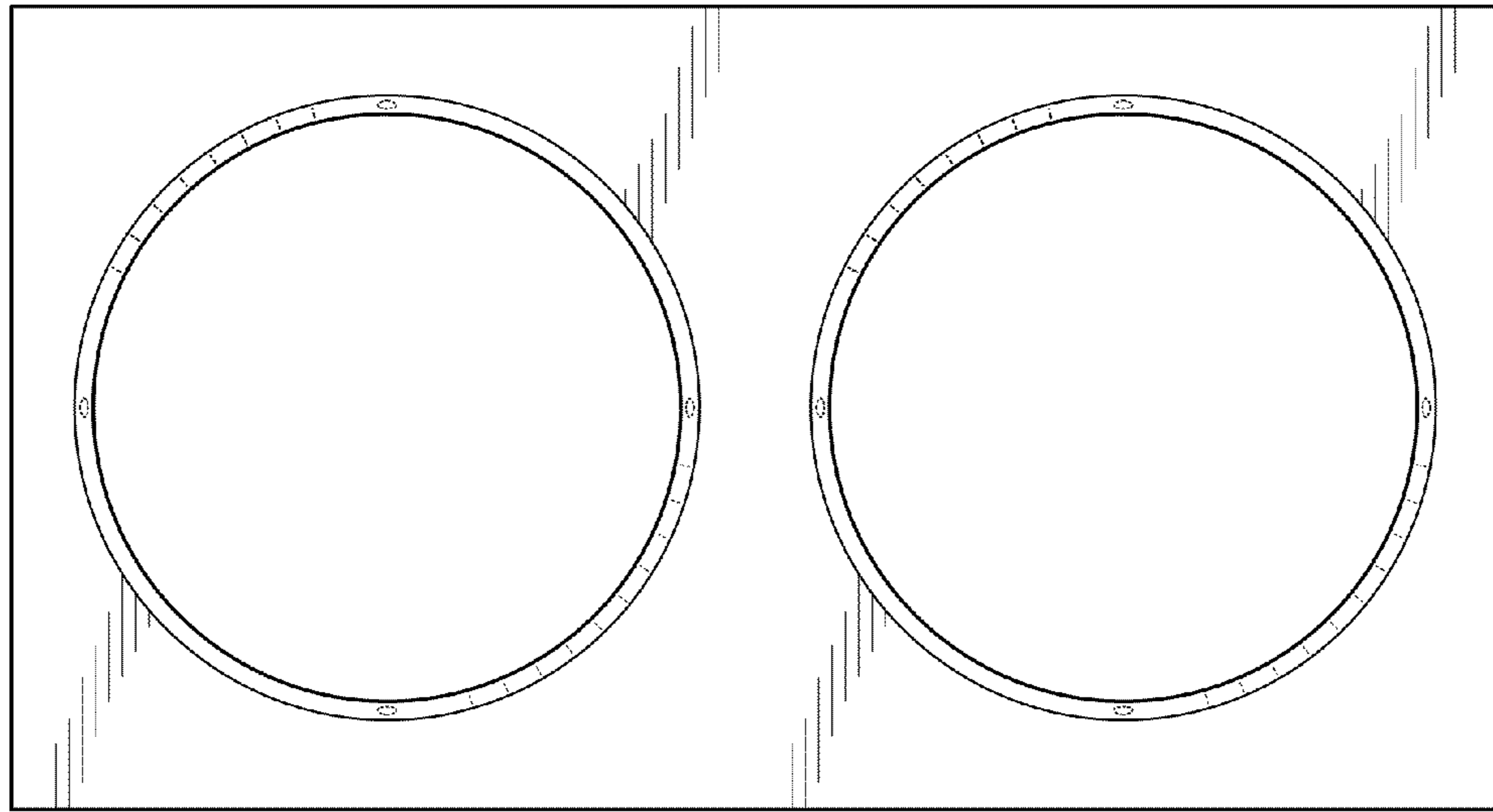


FIG. 5

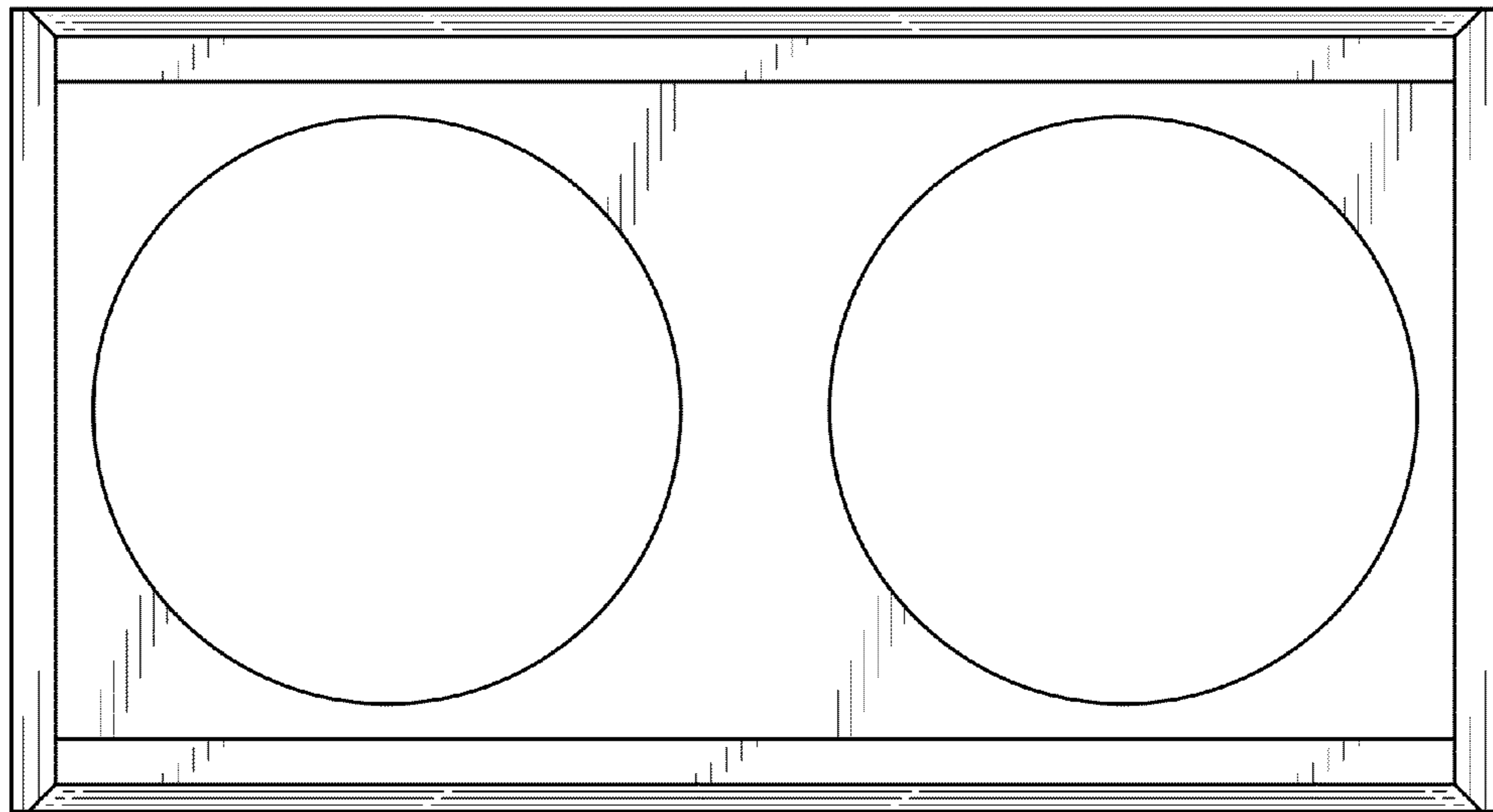


FIG. 6