



US00D686782S

(12) **United States Design Patent**  
**Melcer**

(10) **Patent No.:** **US D686,782 S**

(45) **Date of Patent:** **\*\* Jul. 23, 2013**

(54) **DOVE-ATTRACTING PERCH**

(71) Applicant: **Darren Melcer**, Centerville, TX (US)

(72) Inventor: **Darren Melcer**, Centerville, TX (US)

(\*\*) Term: **14 Years**

(21) Appl. No.: **29/440,772**

(22) Filed: **Dec. 27, 2012**

(51) **LOC (9) Cl.** ..... **30-02**

(52) **U.S. Cl.**  
USPC ..... **D30/119**

(58) **Field of Classification Search**  
USPC ..... D30/119, 199; 119/468, 531, 52.2,  
119/57.8, 537  
See application file for complete search history.

(56) **References Cited**

**U.S. PATENT DOCUMENTS**

D48,275	S	12/1915	Gudeman	
D59,450	S	10/1921	Artz	
D129,461	S	9/1941	Herbst	
D157,743	S	3/1950	Drucker	
D175,292	S *	8/1955	Austgen	D30/160
D176,535	S	1/1956	Klingberg	
3,204,779	A *	9/1965	Warner	211/190
D268,826	S	5/1983	Carbajales et al.	
D272,427	S	1/1984	Moyet	
4,627,384	A *	12/1986	Courteau	119/537
D292,334	S *	10/1987	Courteau	D30/119
D315,371	S	3/1991	Van Risseghem	
D330,347	S	10/1992	Evans	
5,218,927	A *	6/1993	Addams	119/537
D375,278	S	11/1996	Segan	

D400,314	S *	10/1998	Nicolai et al.	D30/119
5,819,689	A *	10/1998	Simon	119/537
D420,472	S *	2/2000	Dellasandro et al.	D30/119
D437,979	S *	2/2001	Lian	D30/119
6,311,641	B1 *	11/2001	Johnson	119/57.8
D469,586	S *	1/2003	McGinn et al.	D30/119
D483,157	S *	12/2003	Yang	D30/119
6,827,040	B1 *	12/2004	McGinn et al.	119/537
6,925,754	B1 *	8/2005	Tearoe	47/47
D565,808	S	4/2008	Kim	
D582,612	S *	12/2008	Rutherford	D30/119
D595,015	S *	6/2009	Lauretano	D30/133
D662,440	S	6/2012	Mogren	

\* cited by examiner

*Primary Examiner* — Cathy A MacCormac

(74) *Attorney, Agent, or Firm* — QuickPatents; Kevin Prince

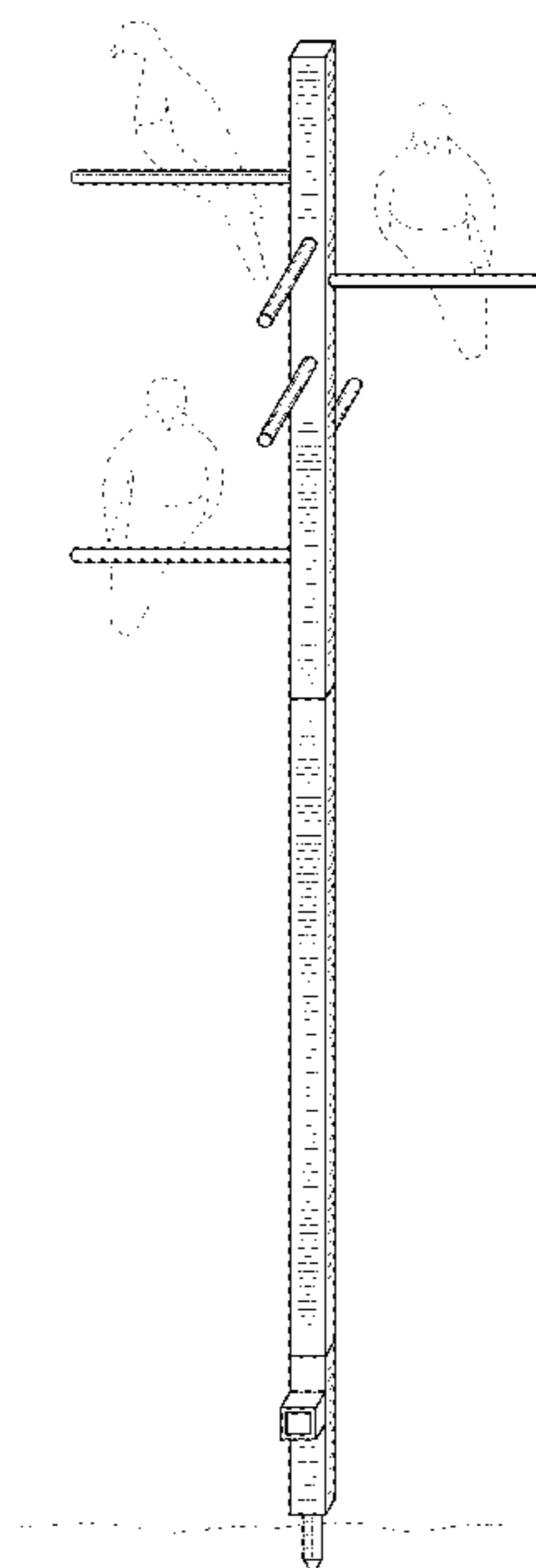
(57) **CLAIM**

I claim the ornamental design for a dove-attracting perch, as shown and described.

**DESCRIPTION**

FIG. 1 is a perspective view of a dove-attracting perch, showing my new design;  
FIG. 2 is a front elevational view thereof;  
FIG. 3 is a rear elevational view thereof;  
FIG. 4 is a right-side elevational view thereof;  
FIG. 5 is a left-side elevational view thereof;  
FIG. 6 is a top plan view thereof; and,  
FIG. 7 is a bottom plan view thereof.  
The broken lines in FIG. 1 depict environmental matter and form no part of the claimed design.

**1 Claim, 3 Drawing Sheets**



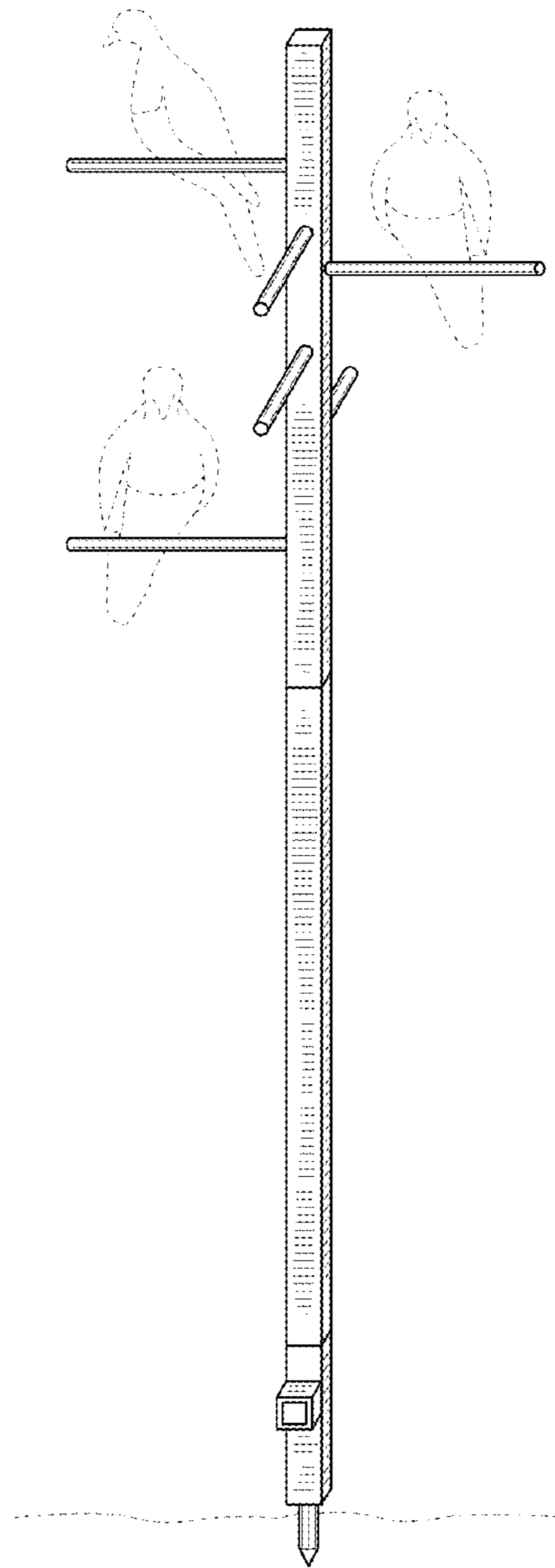


FIG. 1

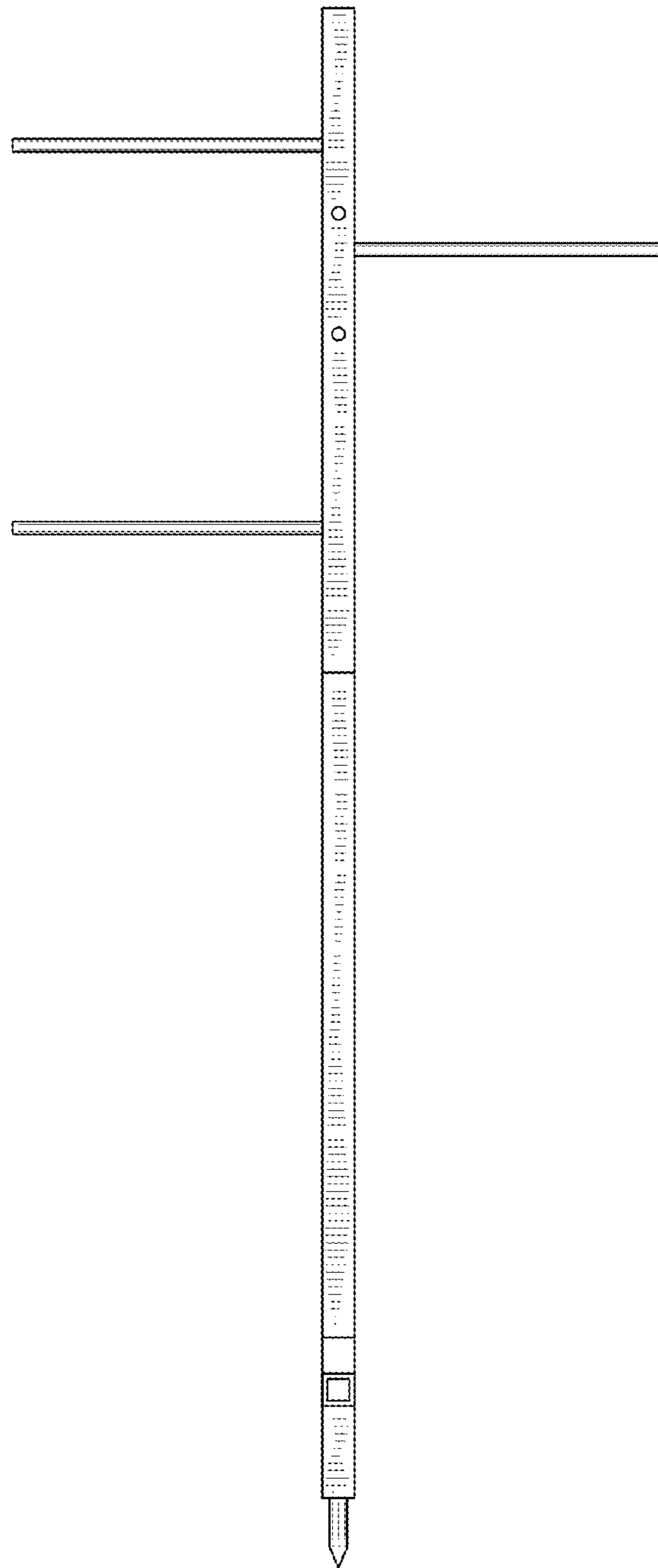


FIG. 2

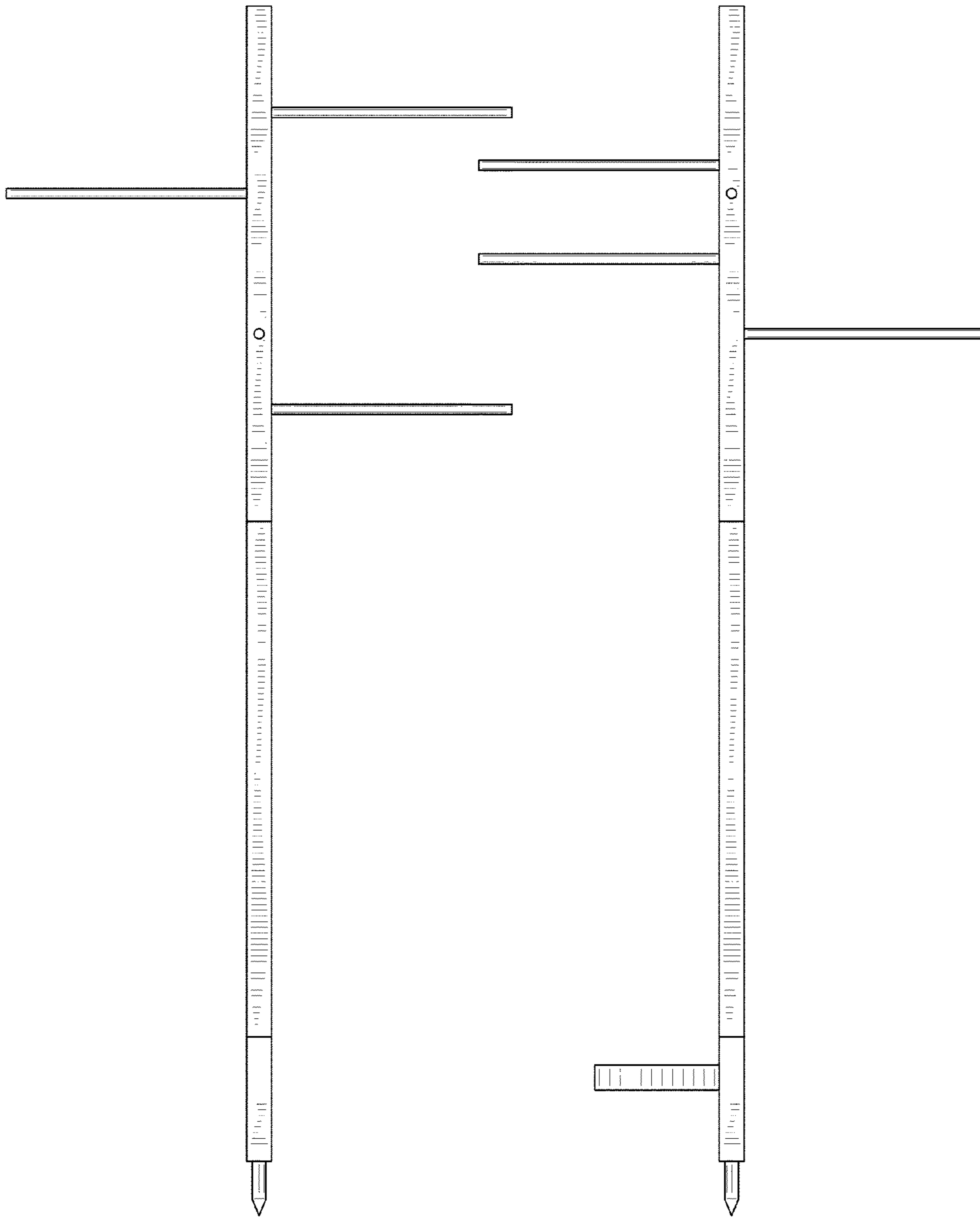


FIG. 3

FIG. 4

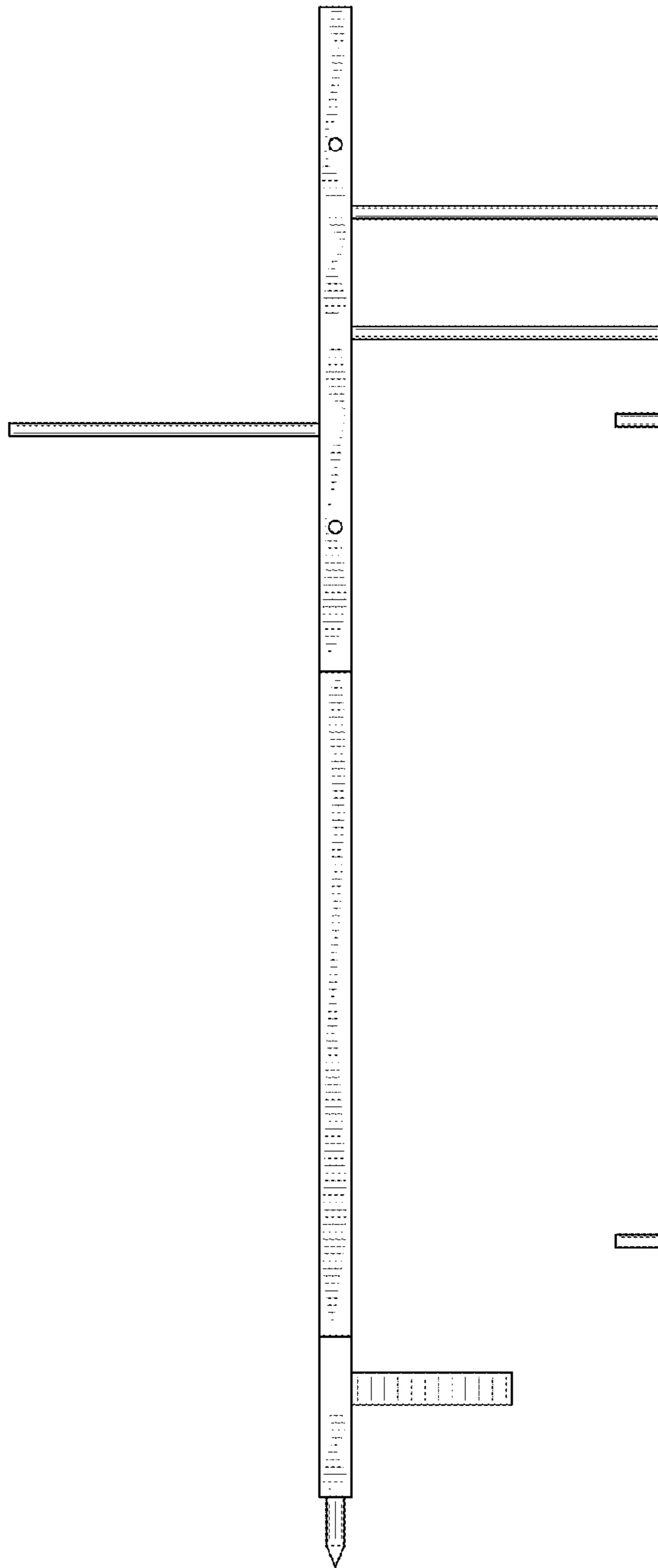


FIG. 5

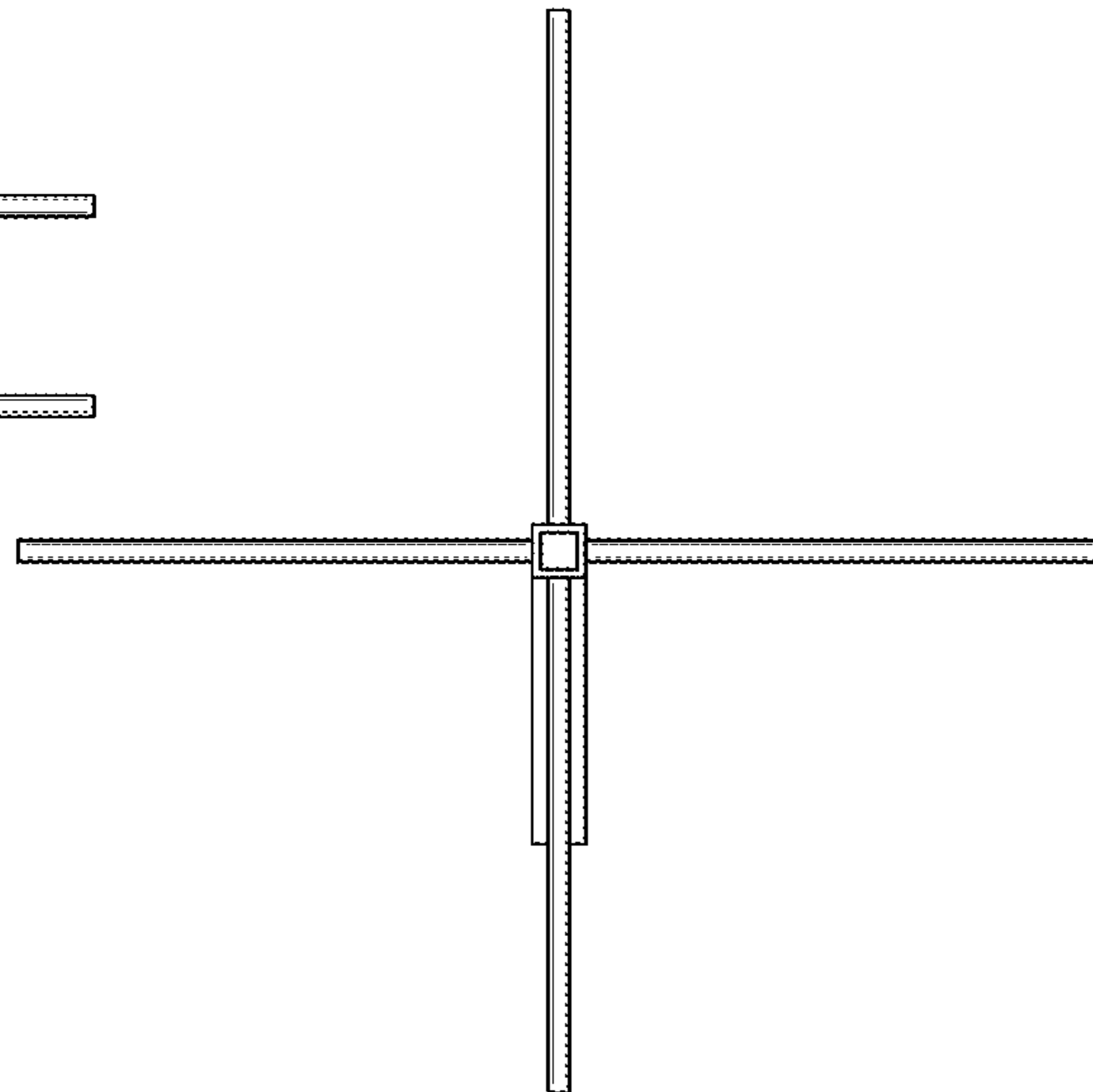


FIG. 6

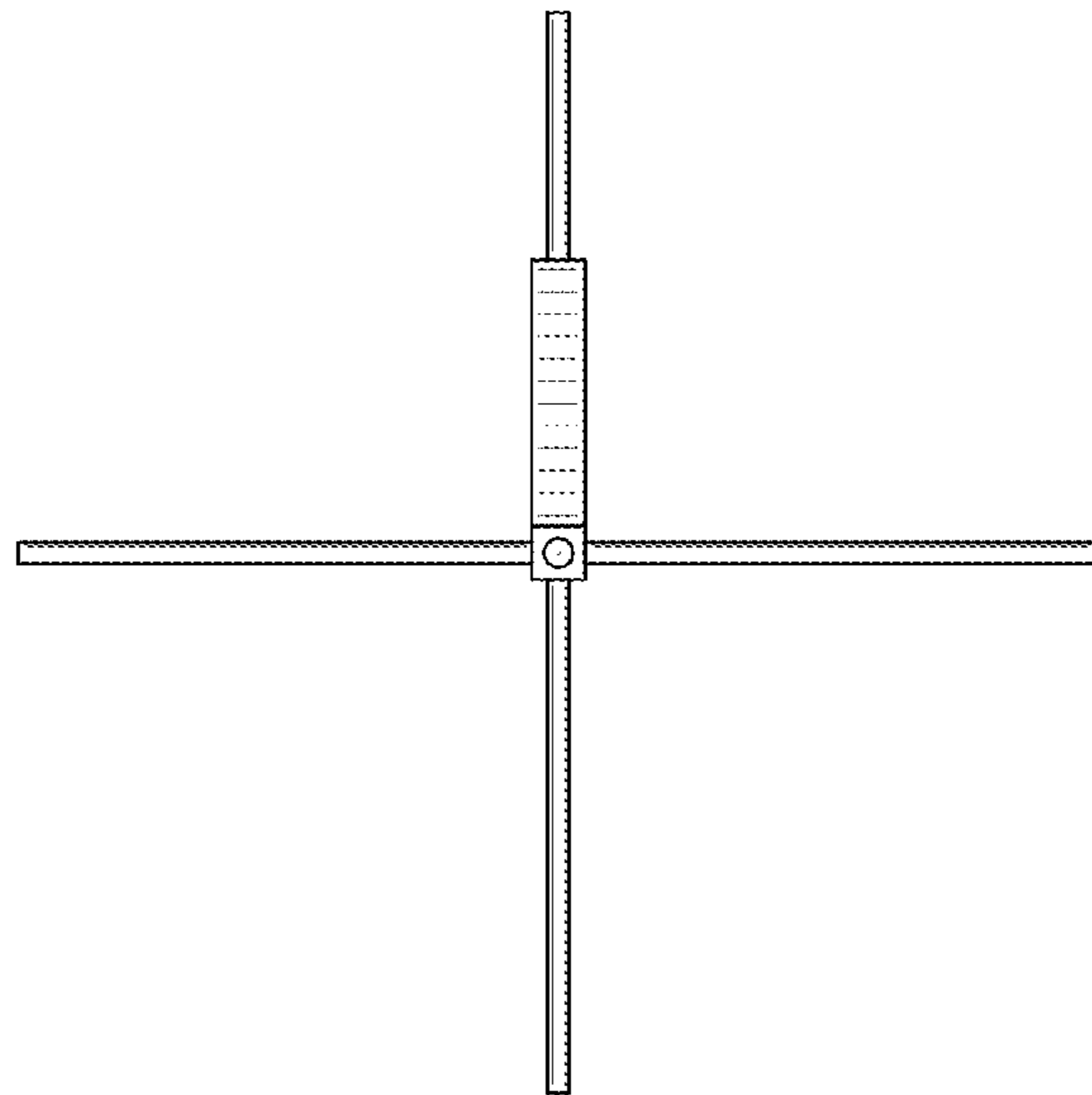


FIG. 7