



US00D686778S

(12) **United States Design Patent**
Isobe

(10) **Patent No.:** **US D686,778 S**

(45) **Date of Patent:** **** Jul. 23, 2013**

(54) **HELMET SHIELD**

(71) Applicant: **Eiji Isobe**, Taito-ku (JP)

(72) Inventor: **Eiji Isobe**, Taito-ku (JP)

(73) Assignee: **Shoei Co., Ltd.**, Tokyo (JP)

(**) Term: **14 Years**

(21) Appl. No.: **29/441,215**

(22) Filed: **Jan. 2, 2013**

(30) **Foreign Application Priority Data**

Aug. 1, 2012 (JP) 2012-018329

(51) **LOC (9) Cl.** **29-02**

(52) **U.S. Cl.**
USPC **D29/110**

(58) **Field of Classification Search**

USPC D29/100, 104, 105, 106, 107, 108,
D29/109, 110, 122; D24/110.1, 110.2, 110.3;
2/9, 410, 6.3, 6.4, 6.5, 6.6, 6.7, 6.8, 7, 8.1-8.8,
2/424, 425, 12, 15, 426, 427, 429, 430, 431,
2/432, 433, 434, 435, 452, 206, 906, 173;
128/201.24, 201.15, 857, 858

See application file for complete search history.

(56) **References Cited**

U.S. PATENT DOCUMENTS

1,790,328 A * 1/1931 Savage 2/12
D181,750 S * 12/1957 Reed D29/110
D206,620 S * 1/1967 Hoffman D29/110
D291,256 S * 8/1987 Hollander D29/110
D373,223 S * 8/1996 Pernicka et al. D29/110
D380,873 S * 7/1997 Reuber D29/110
D454,667 S * 3/2002 Chartrand et al. D29/110

D569,557 S * 5/2008 Cho D29/122
D611,659 S * 3/2010 Isobe D29/122
D645,211 S * 9/2011 Hill D29/110
D662,261 S * 6/2012 Klotz et al. D29/109
D669,639 S * 10/2012 Klotz et al. D29/110
D675,786 S * 2/2013 Klotz et al. D29/110
D675,787 S * 2/2013 Klotz et al. D29/110
D675,788 S * 2/2013 Klotz et al. D29/110
D677,008 S * 2/2013 Klotz et al. D29/110
2008/0141443 A1 * 6/2008 Arai 2/424

* cited by examiner

Primary Examiner — Elizabeth J Oswecki

(74) *Attorney, Agent, or Firm* — Sughrue Mion, PLLC

(57) **CLAIM**

The ornamental design for a helmet shield, as shown and described.

DESCRIPTION

FIG. 1 is a front elevational view of a helmet shield showing my new design;

FIG. 2 is a rear view thereof;

FIG. 3 is a left side view thereof;

FIG. 4 is a right side view thereof;

FIG. 5 is a top plan view thereof;

FIG. 6 is a bottom plan view thereof;

FIG. 7 is a cross-sectional view taken along lines 7-7 of FIG. 1;

FIG. 8 is an enlarged view of the top portion of the cross-sectional view of FIG. 7;

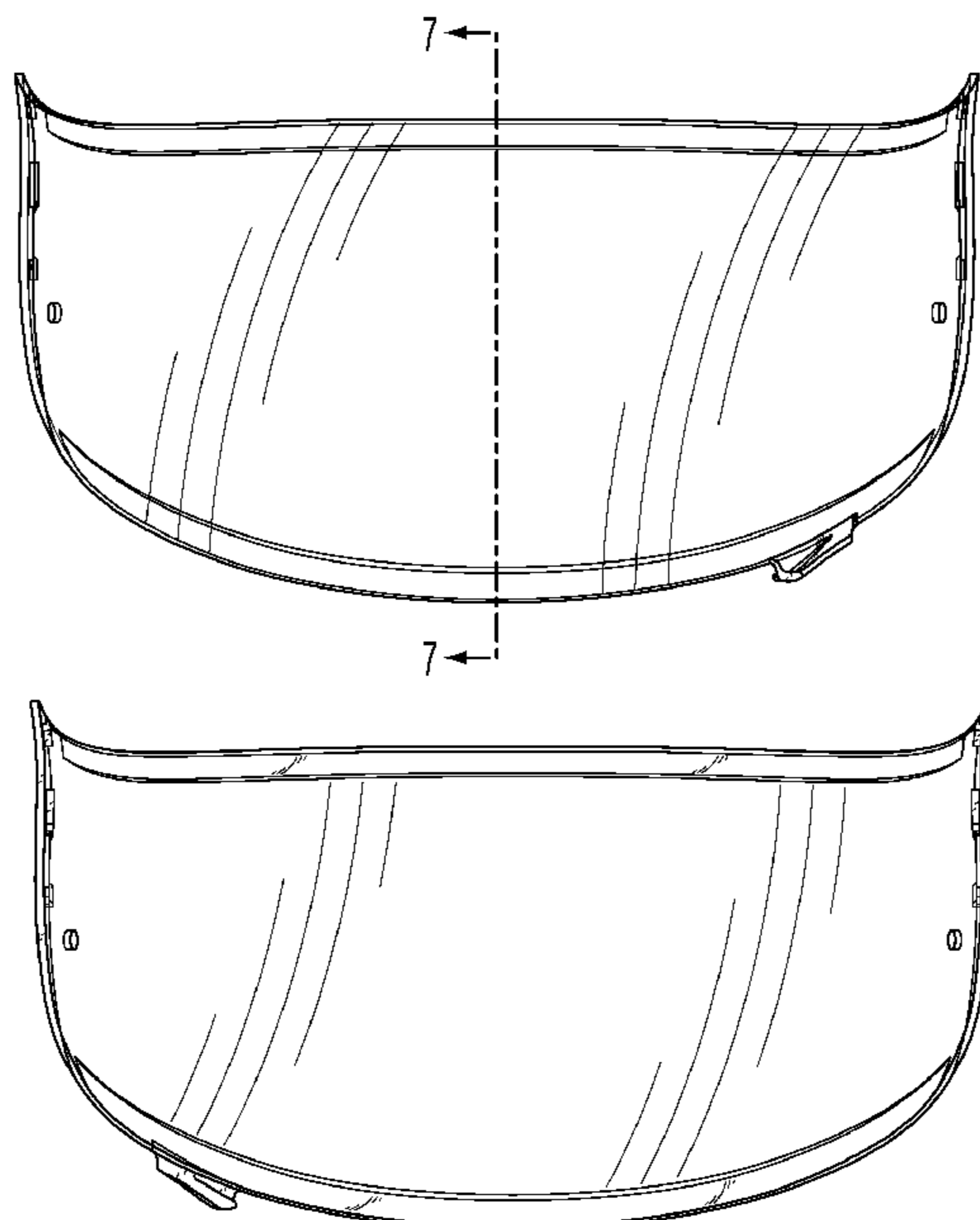
FIG. 9 is an enlarged view of the bottom portion of the cross-sectional view of FIG. 7;

FIG. 10 is a perspective view of FIG. 1; and,

FIG. 11 is a right side perspective view of FIG. 1.

The broken lines shown in the drawings represent portions of the helmet shield that form no part of the claimed design.

1 Claim, 6 Drawing Sheets



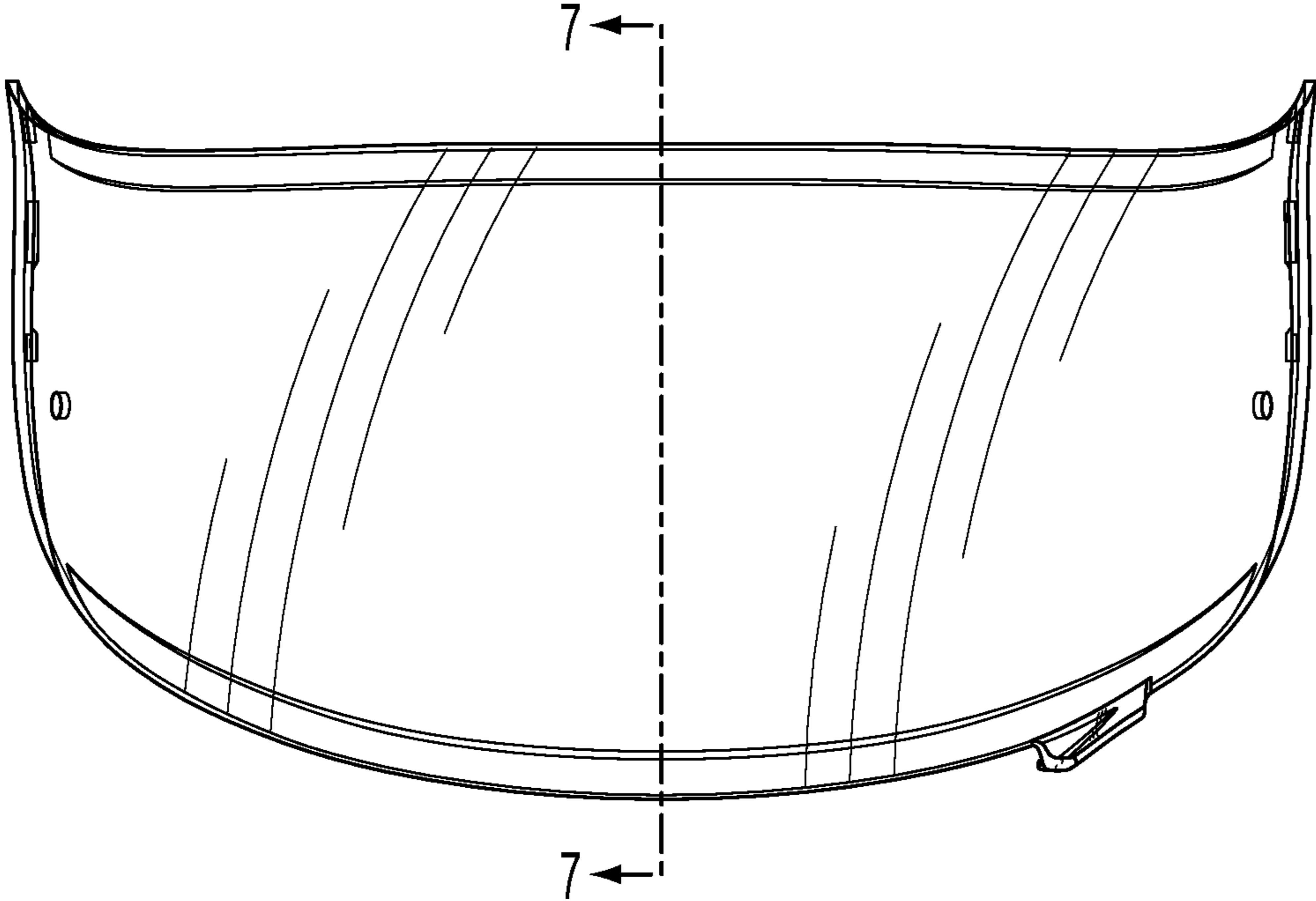


FIG. 1

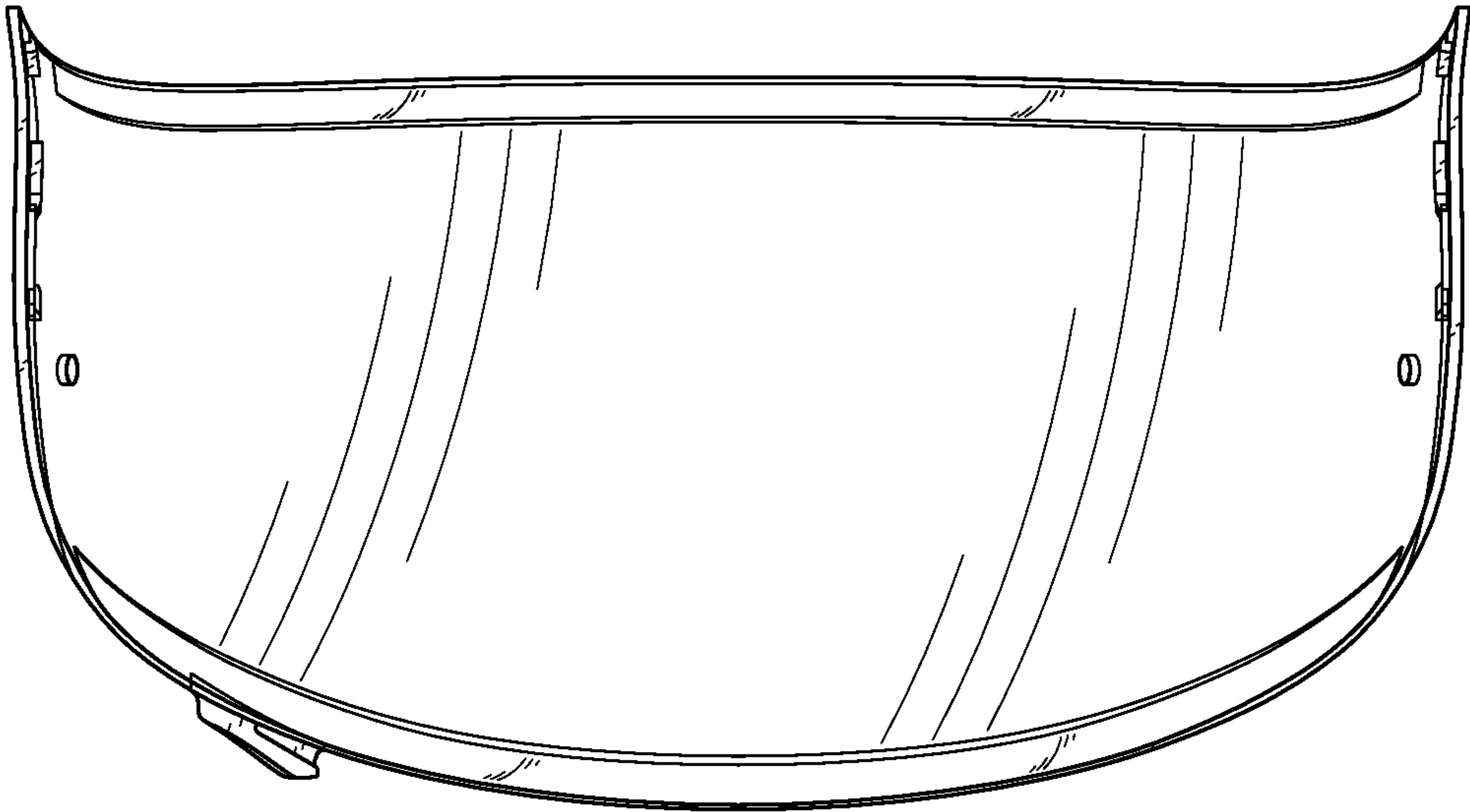


FIG. 2

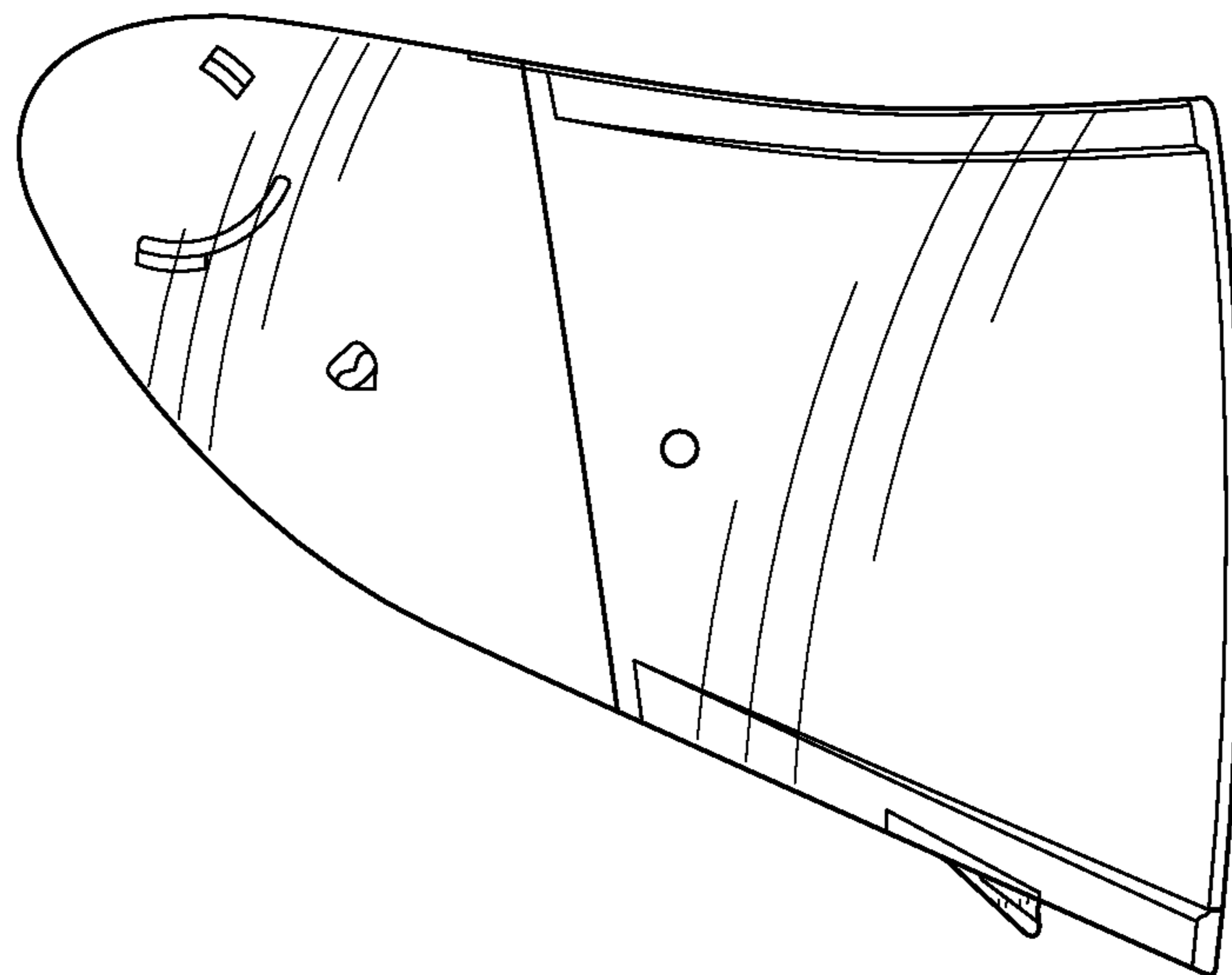


FIG. 3

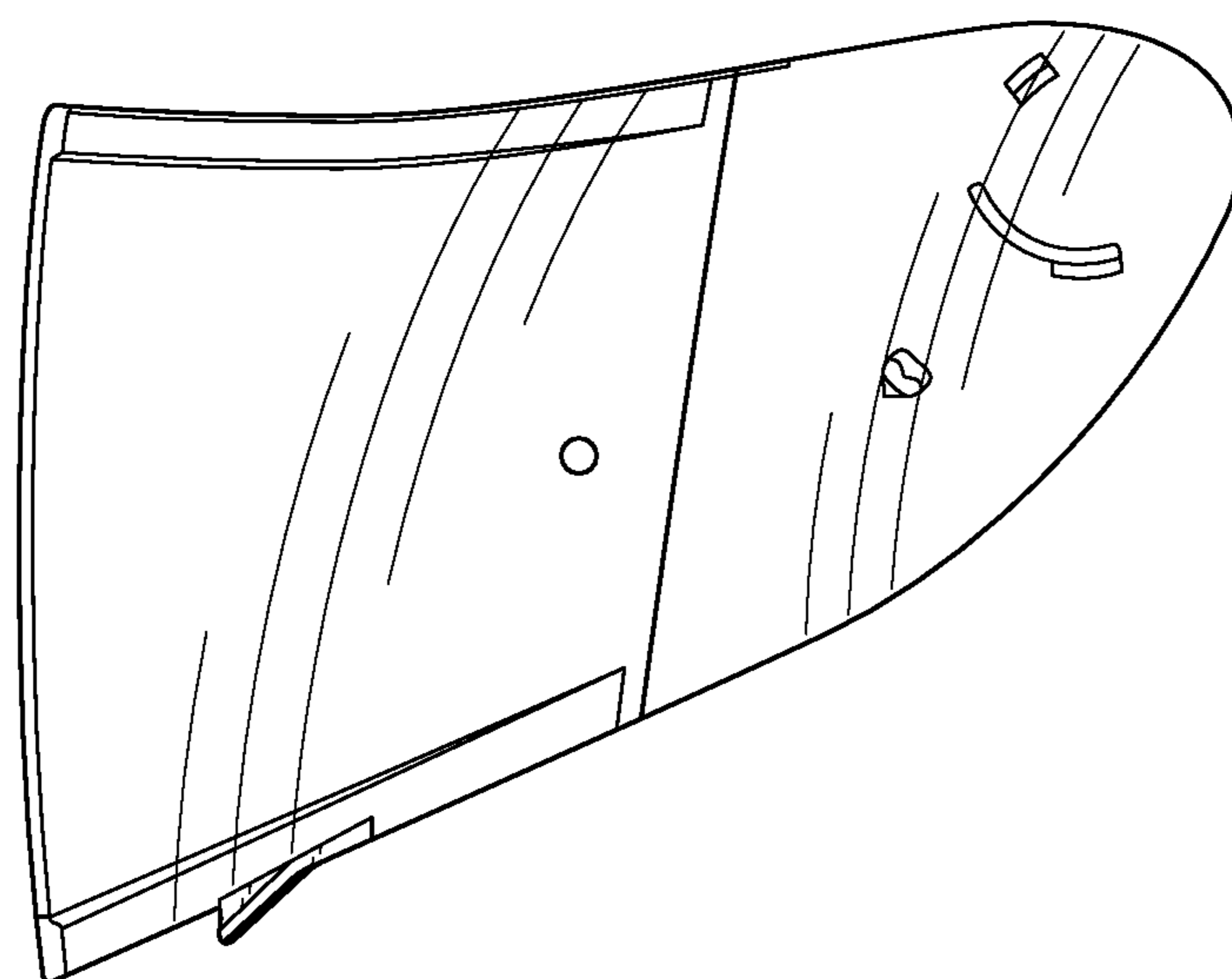


FIG. 4

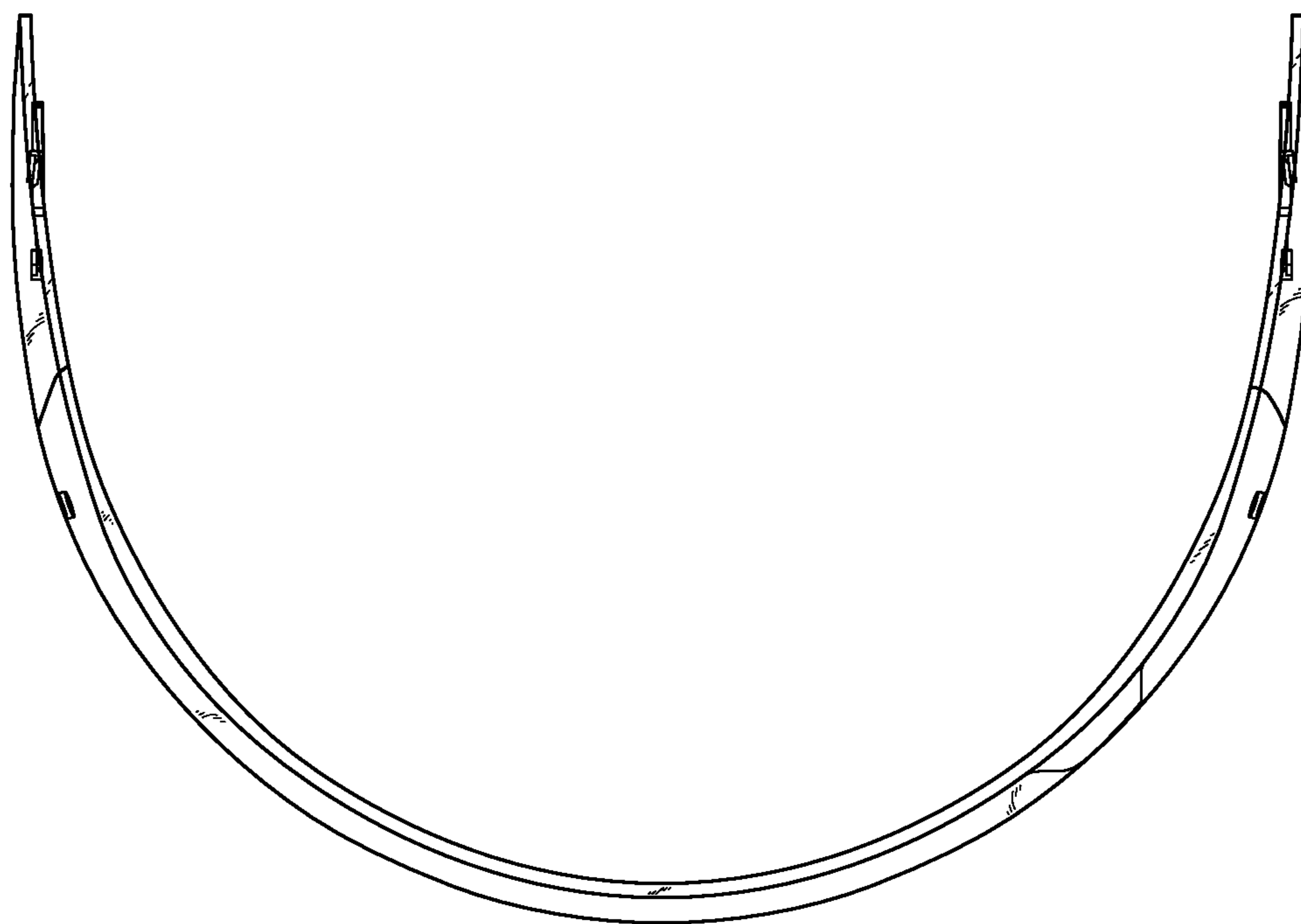


FIG. 5

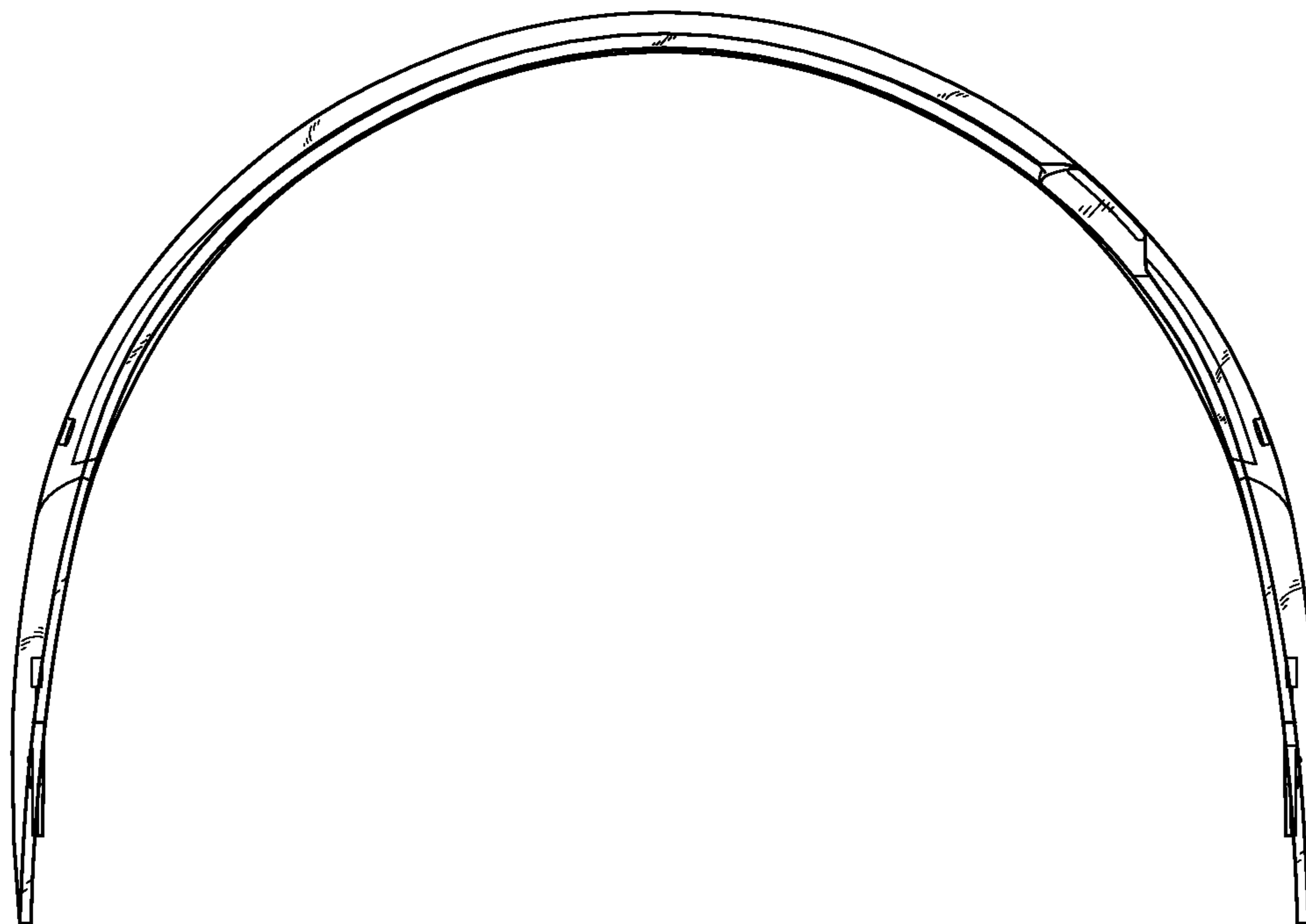


FIG. 6

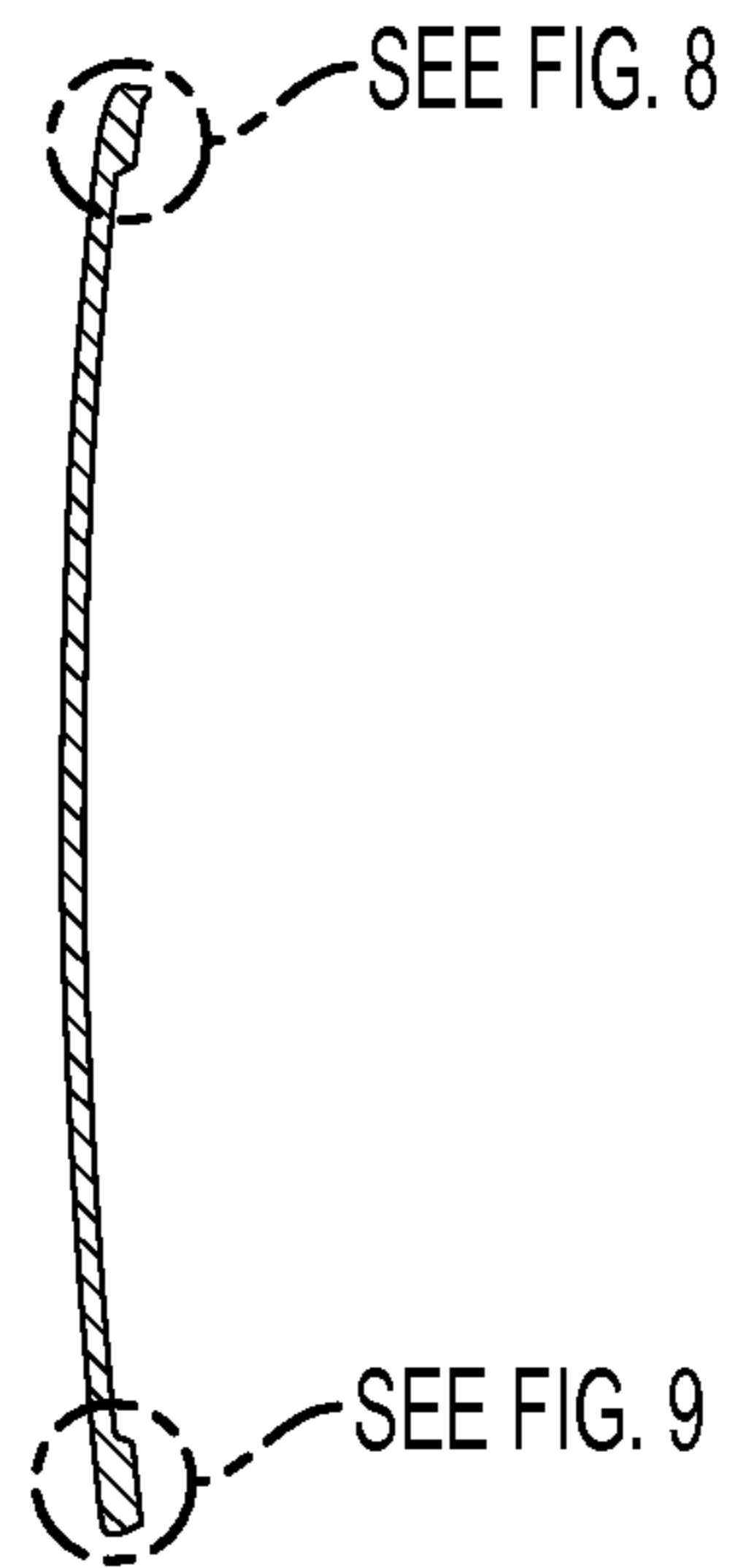


FIG. 7

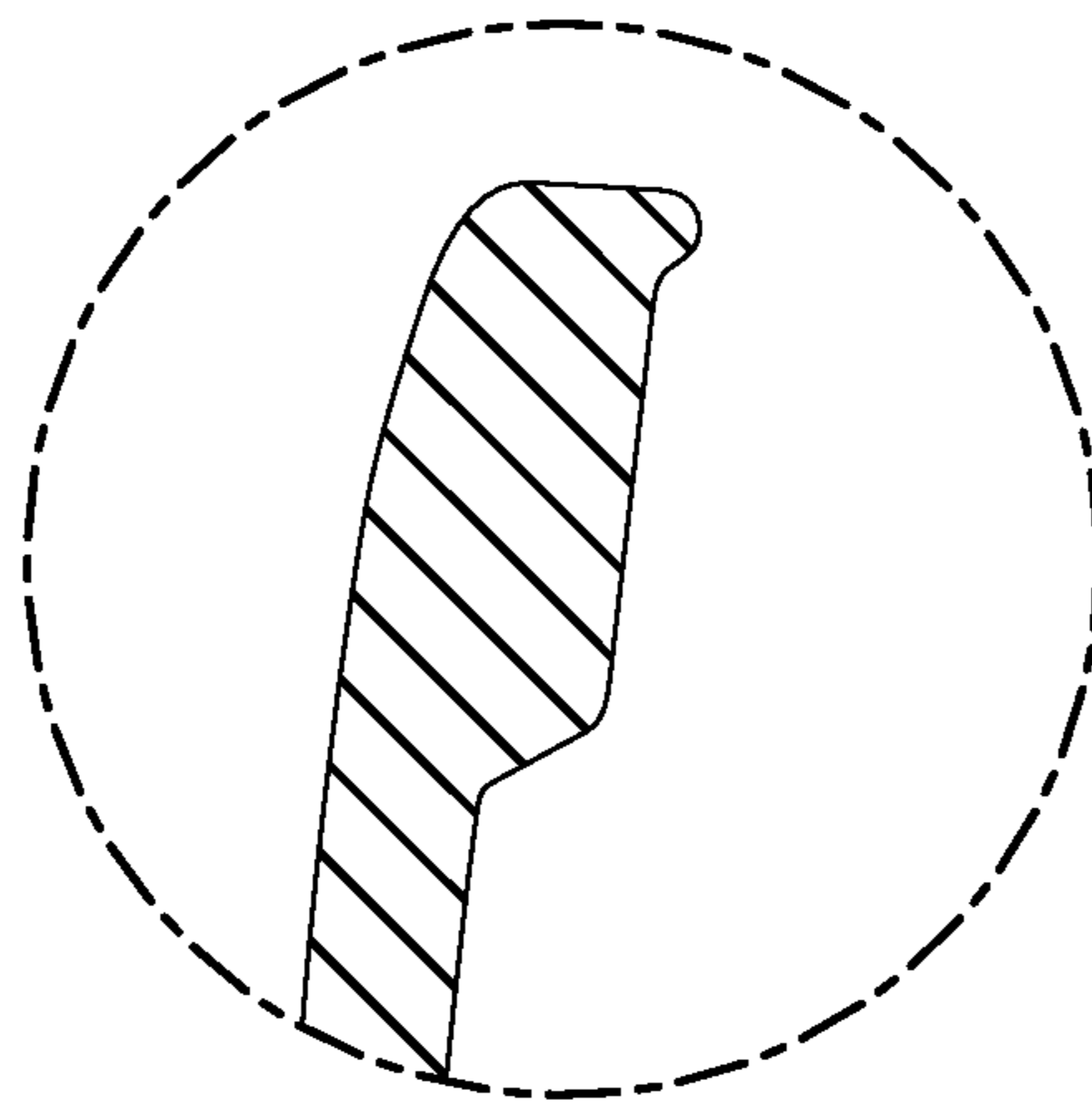


FIG. 8

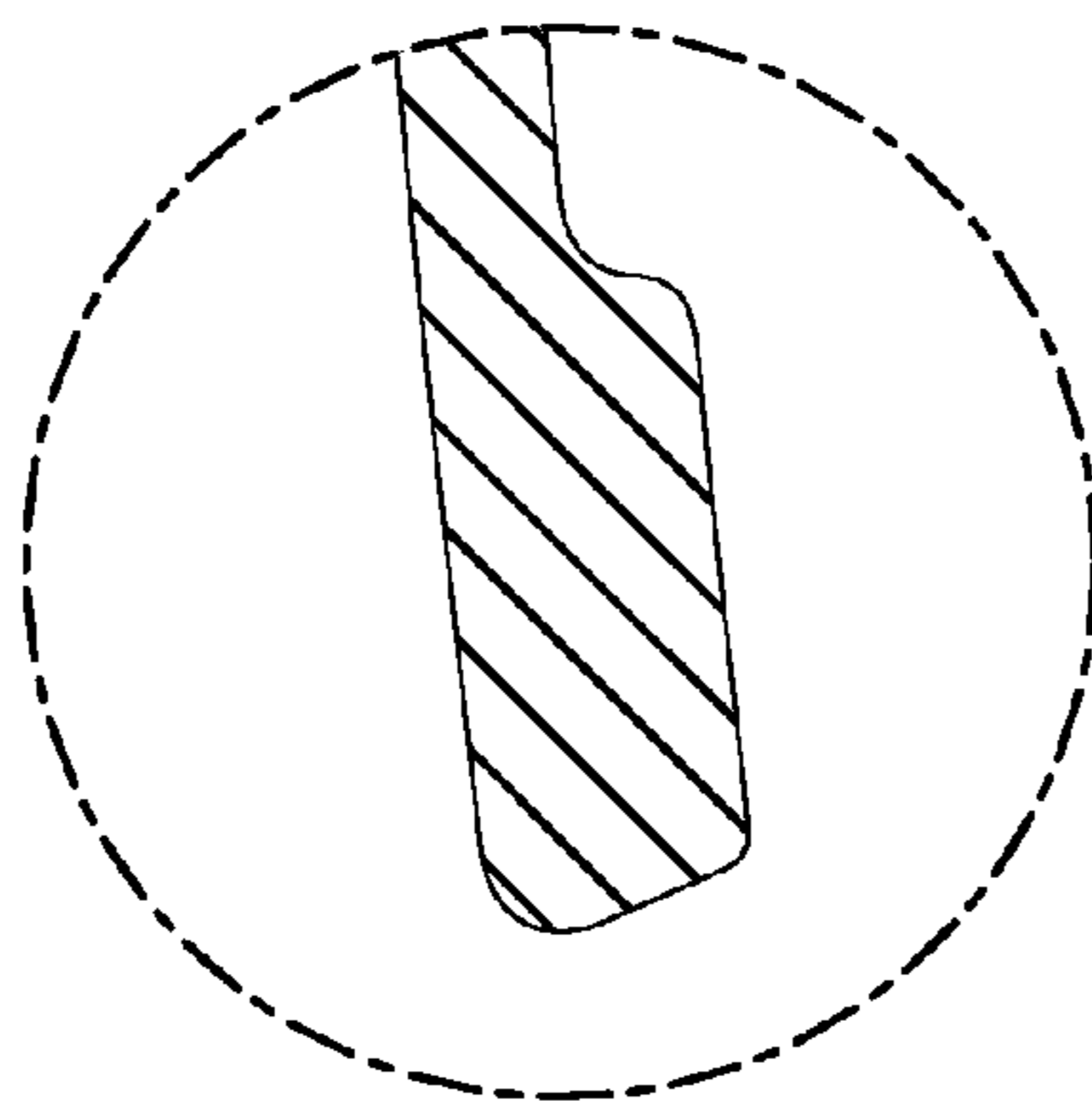


FIG. 9

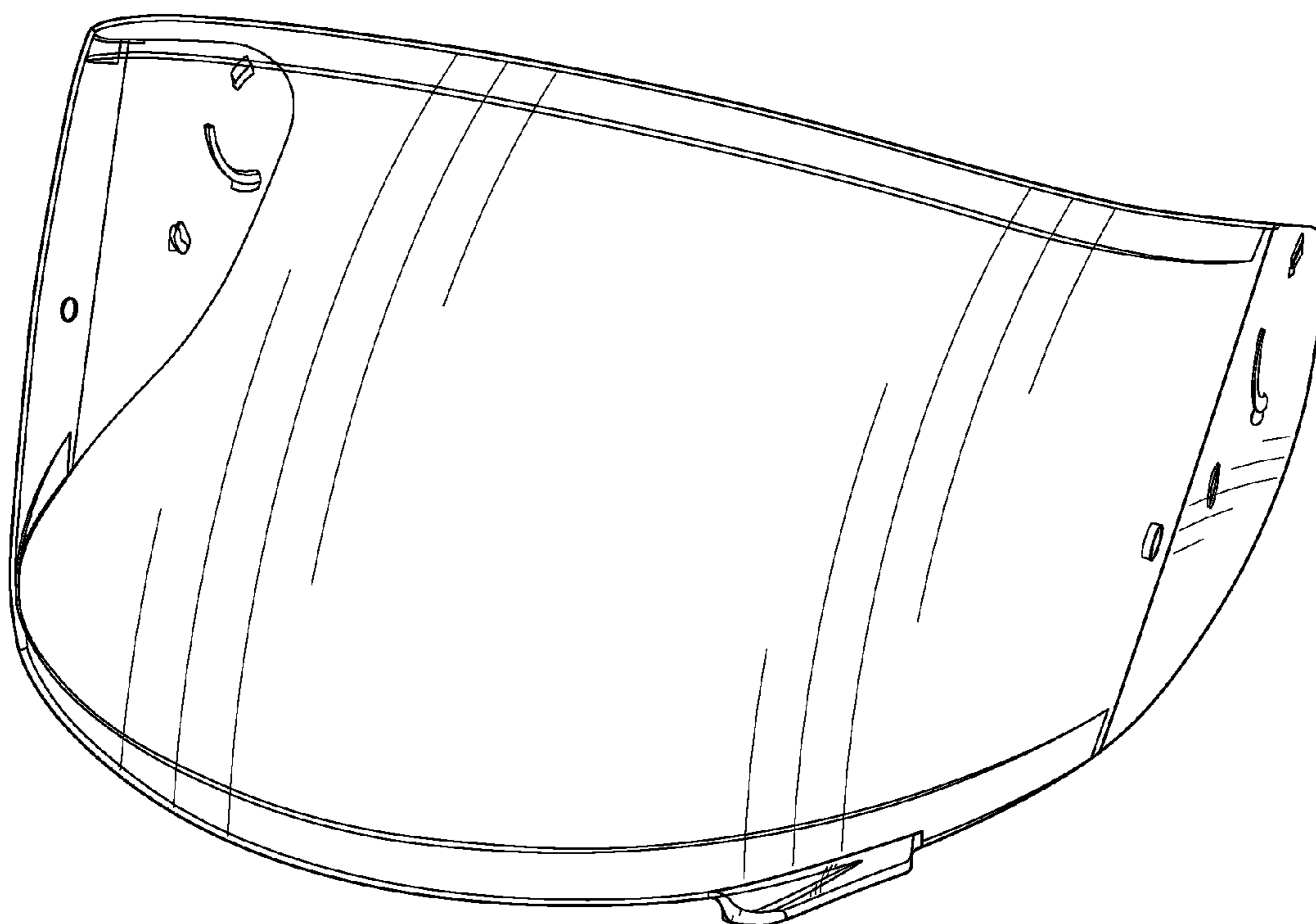


FIG. 10

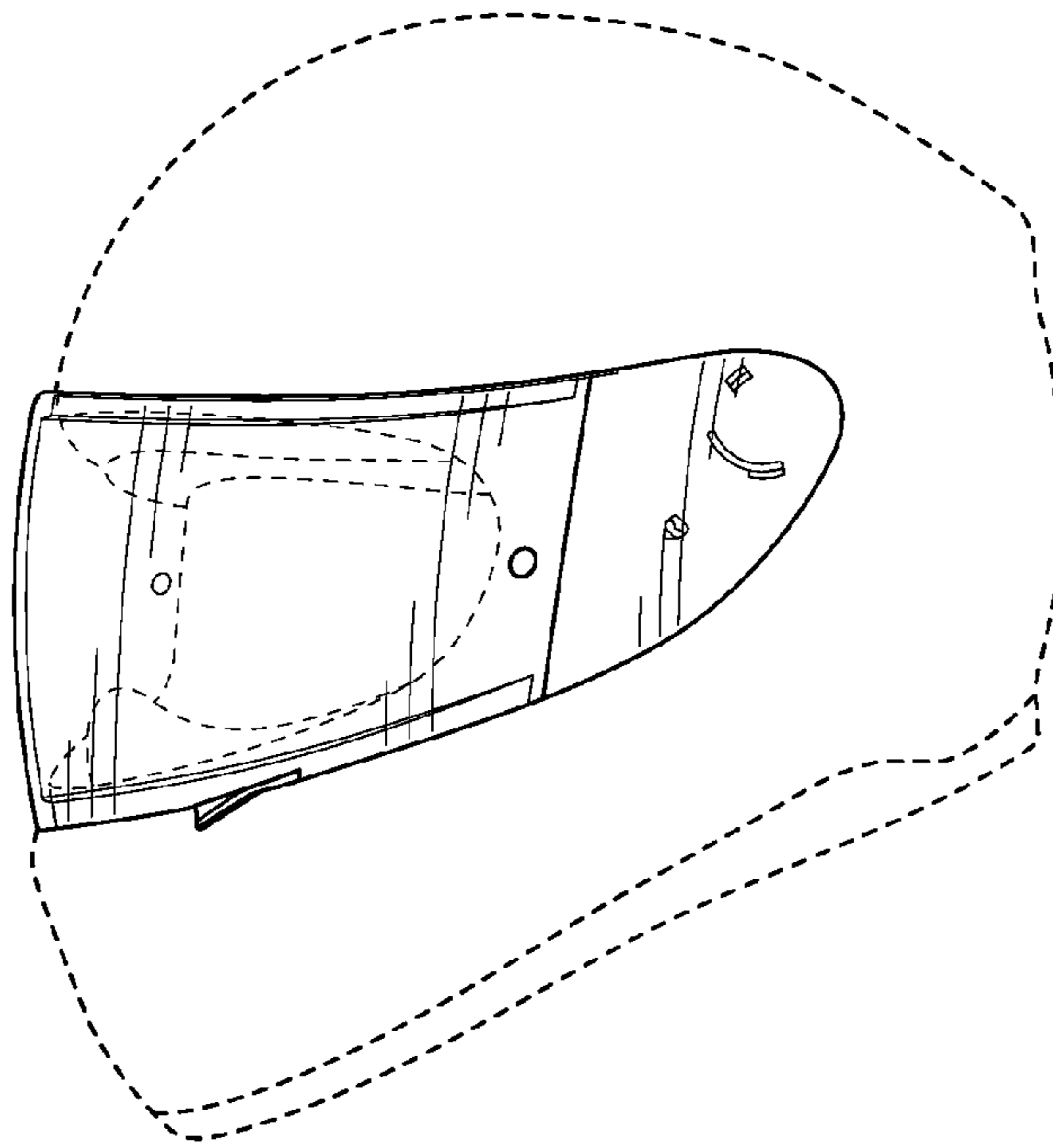


FIG. 11