



US00D686777S

(12) **United States Design Patent**
Borgen

(10) **Patent No.:** **US D686,777 S**
(45) **Date of Patent:** **** Jul. 23, 2013**

(54) **OBJECT HOLDING HARNESS FOR CHILDREN**

(76) Inventor: **Michelle A. Borgen**, Livermore, CA (US)

(**) Term: **14 Years**

(21) Appl. No.: **29/430,268**

(22) Filed: **Aug. 23, 2012**

6,224,450	B1 *	5/2001	Norton	446/28
6,315,179	B1 *	11/2001	Hillis	224/268
6,397,389	B1 *	6/2002	Schultz	2/69
6,626,333	B2 *	9/2003	Levesque et al.	224/148.6
7,073,866	B1	7/2006	Berdahl	
D526,776	S *	8/2006	Riley	D3/215
D542,537	S *	5/2007	Schwartz et al.	D3/316
7,510,246	B2 *	3/2009	Gruninger	297/485
D608,950	S *	1/2010	Kelly et al.	D29/101.3
7,661,636	B1 *	2/2010	Burke	248/102
D625,572	S *	10/2010	Hoertnagl	D8/45
2006/0163301	A1	7/2006	Rhodes et al.	
2007/0205235	A1	9/2007	Knight et al.	

Related U.S. Application Data

(63) Continuation-in-part of application No. 12/319,061, filed on Dec. 30, 2008, now abandoned.

(51) **LOC (9) Cl.** **29-02**

(52) **U.S. Cl.**
USPC **D29/101.1**

(58) **Field of Classification Search**
USPC D29/101.1; D3/215, 229, 214, 217, D3/216; 224/148.6, 148.7, 623, 637-640, 224/655, 901.4, 930, 646; D24/199; 248/102, 248/104

See application file for complete search history.

(56) **References Cited**

U.S. PATENT DOCUMENTS

1,651,561	A	12/1927	Storey	
3,087,277	A	4/1963	McCook	
3,184,883	A	5/1965	McCook	
4,096,977	A	6/1978	Barville et al.	
4,498,613	A	2/1985	Donahue et al.	
D300,475	S	3/1989	Caulder et al.	
D374,506	S *	10/1996	O'Neil	D29/101.1
5,702,039	A	12/1997	Olaiz	
5,988,315	A *	11/1999	Crane	182/3
6,009,839	A *	1/2000	Kohn	119/770
D426,699	S	6/2000	Dickerson	

* cited by examiner

Primary Examiner — Raphael Barkai
Assistant Examiner — Randall Gholson

(74) *Attorney, Agent, or Firm* — Montgomery Patent & Design; Robert C. Montgomery

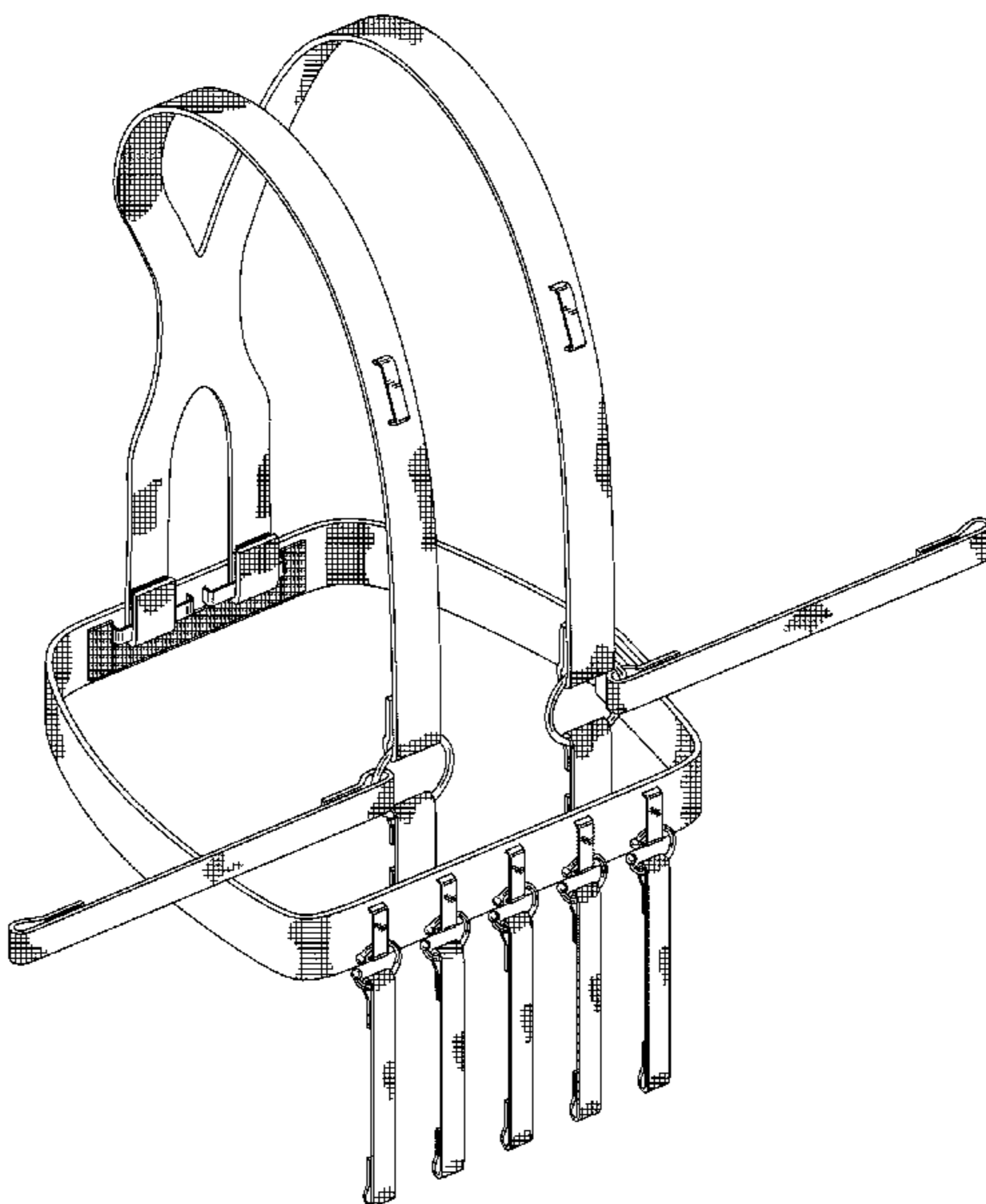
(57) **CLAIM**

The ornamental design for an object holding harness for children, as shown and described.

DESCRIPTION

FIG. 1 is a front perspective view of an object holding harness for children, showing my new design; FIG. 2 is a rear perspective thereof; FIG. 3 is a front view thereof; FIG. 4 is a rear view thereof; FIG. 5 is a left side view thereof; FIG. 6 is a right side view thereof; FIG. 7 is a top view thereof; FIG. 8 is a bottom view thereof; and, FIG. 9 is a rear perspective view of the object holding harness for children shown with an attachable tether. The tether is shown separately in FIG. 9 for ease of illustration.

1 Claim, 9 Drawing Sheets



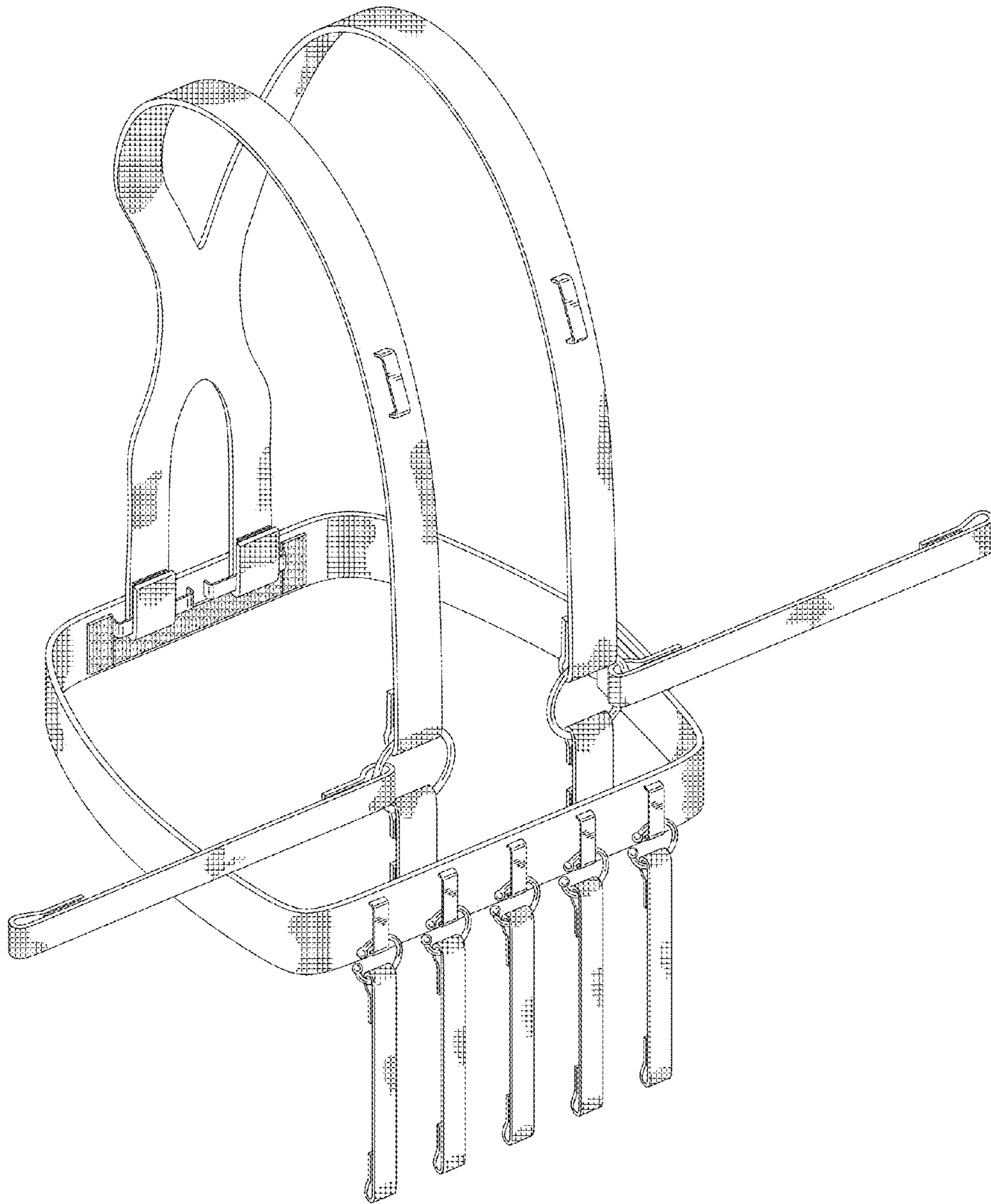


Fig. 1

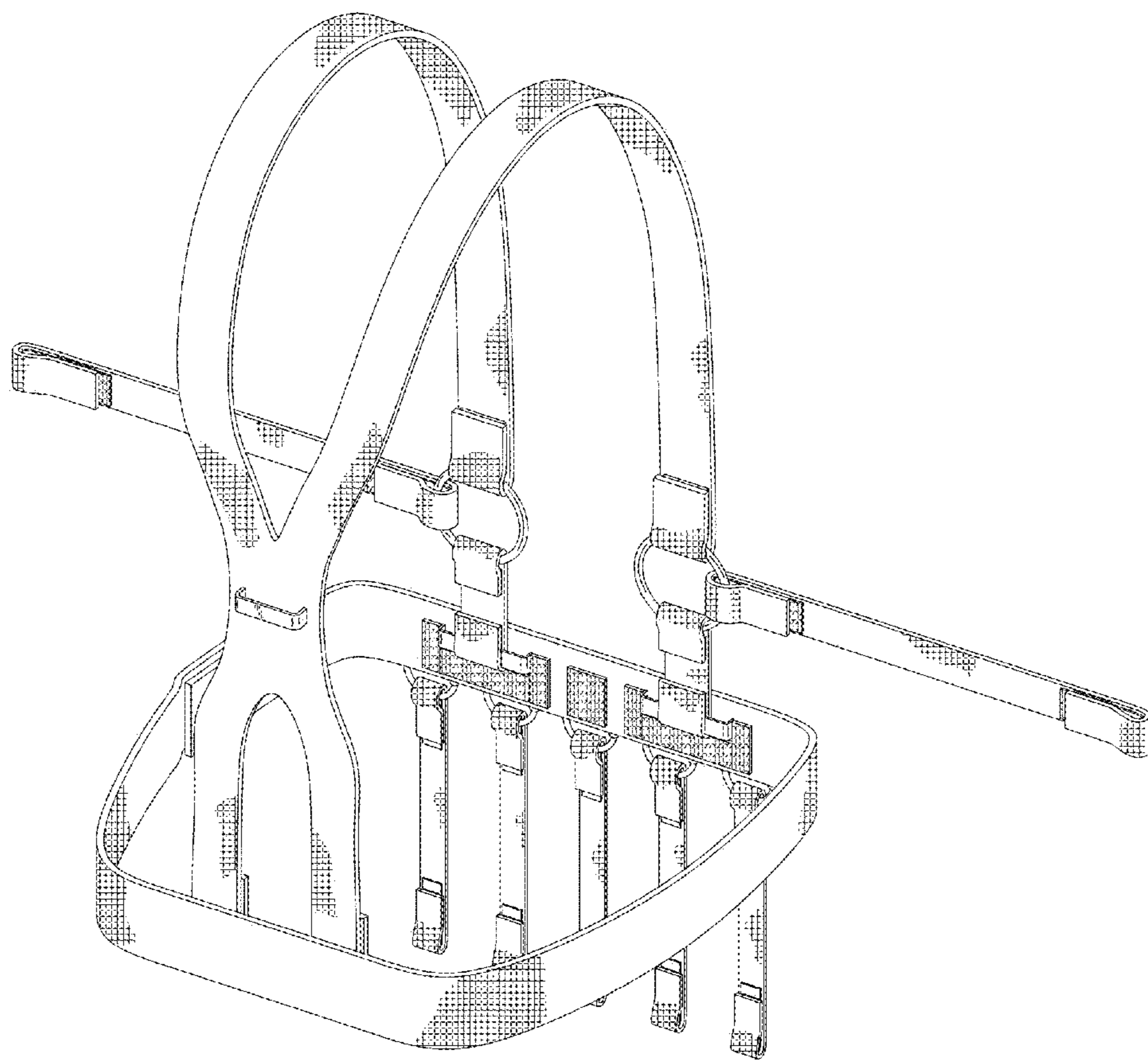


Fig. 2

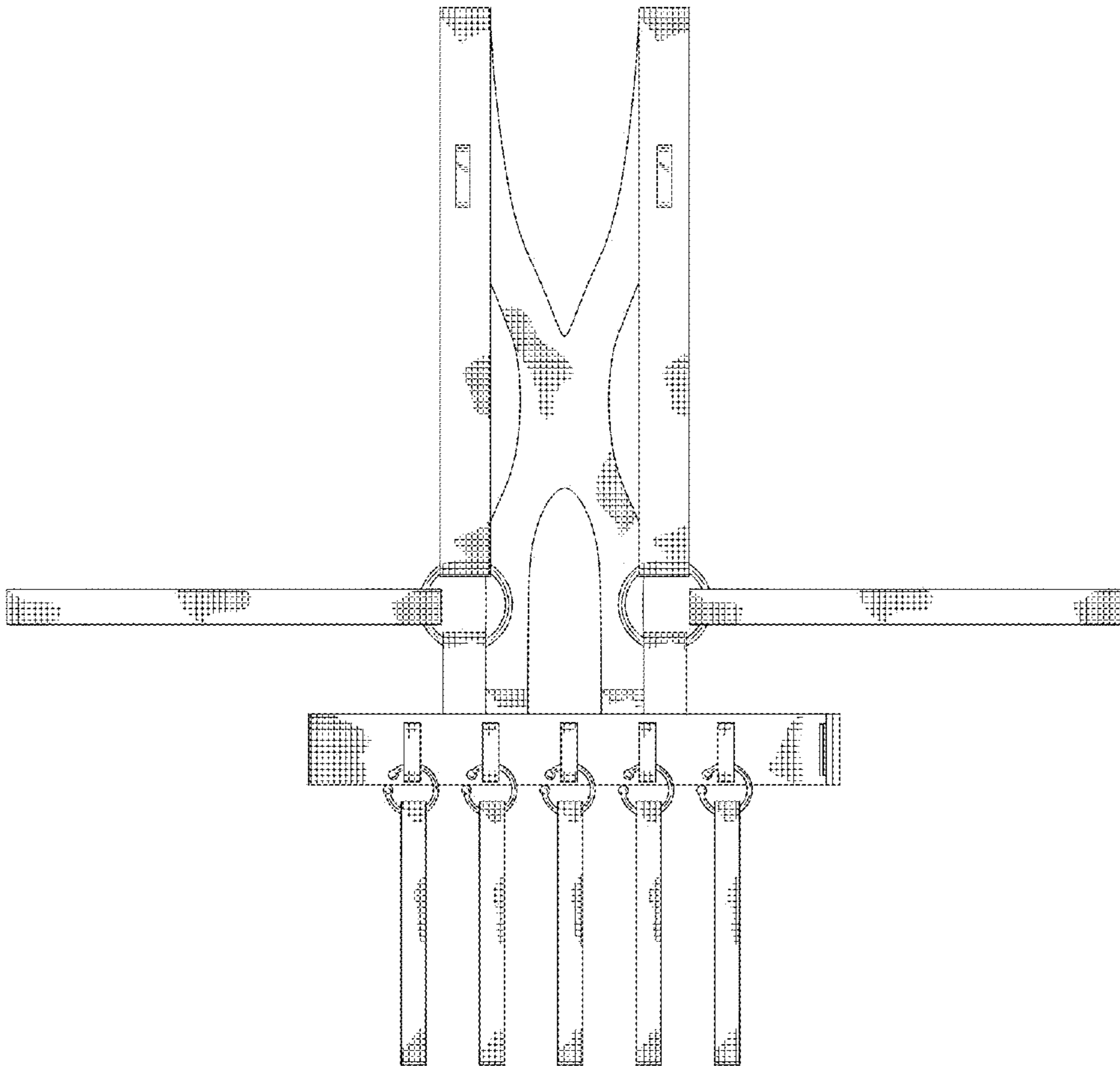


Fig. 3

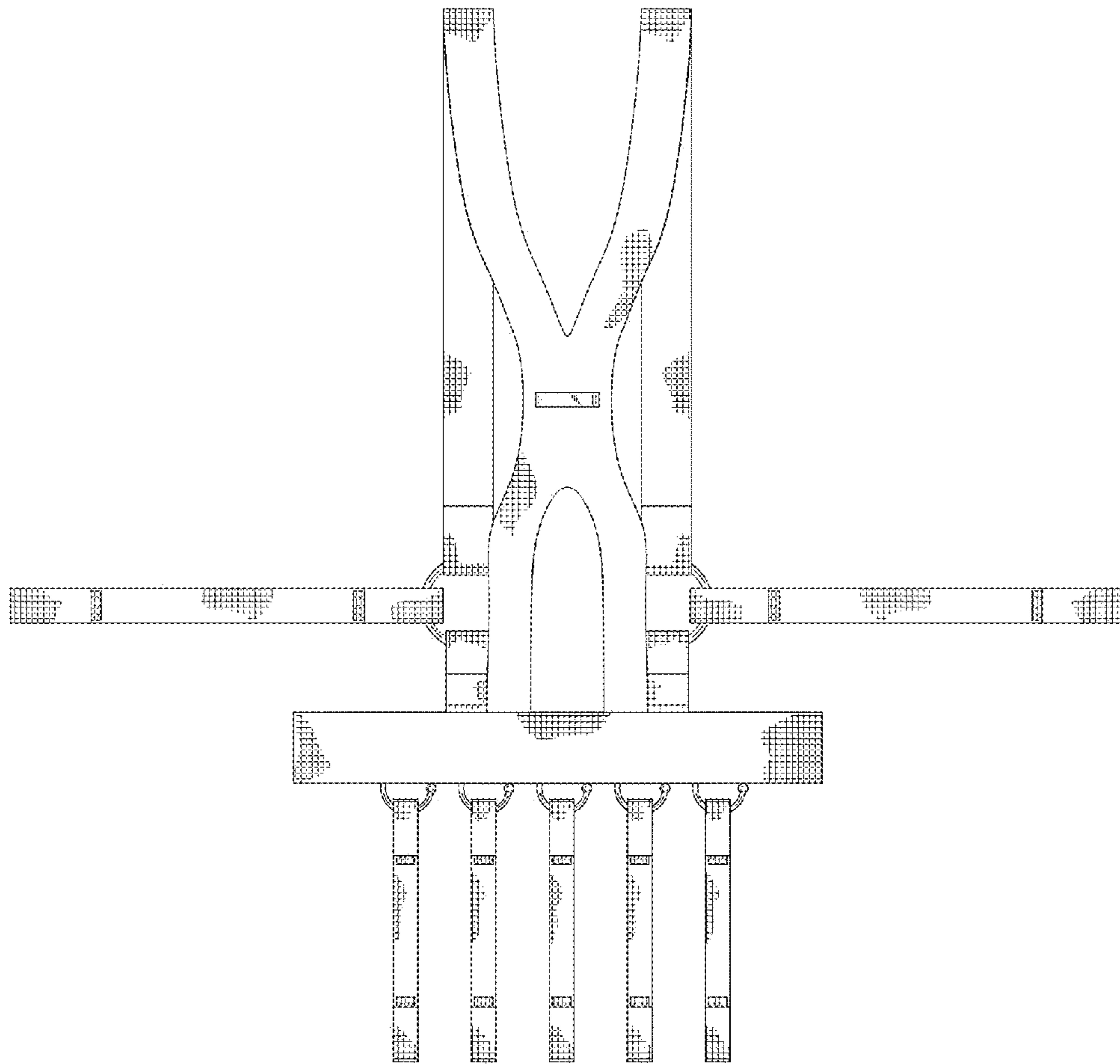


Fig. 4

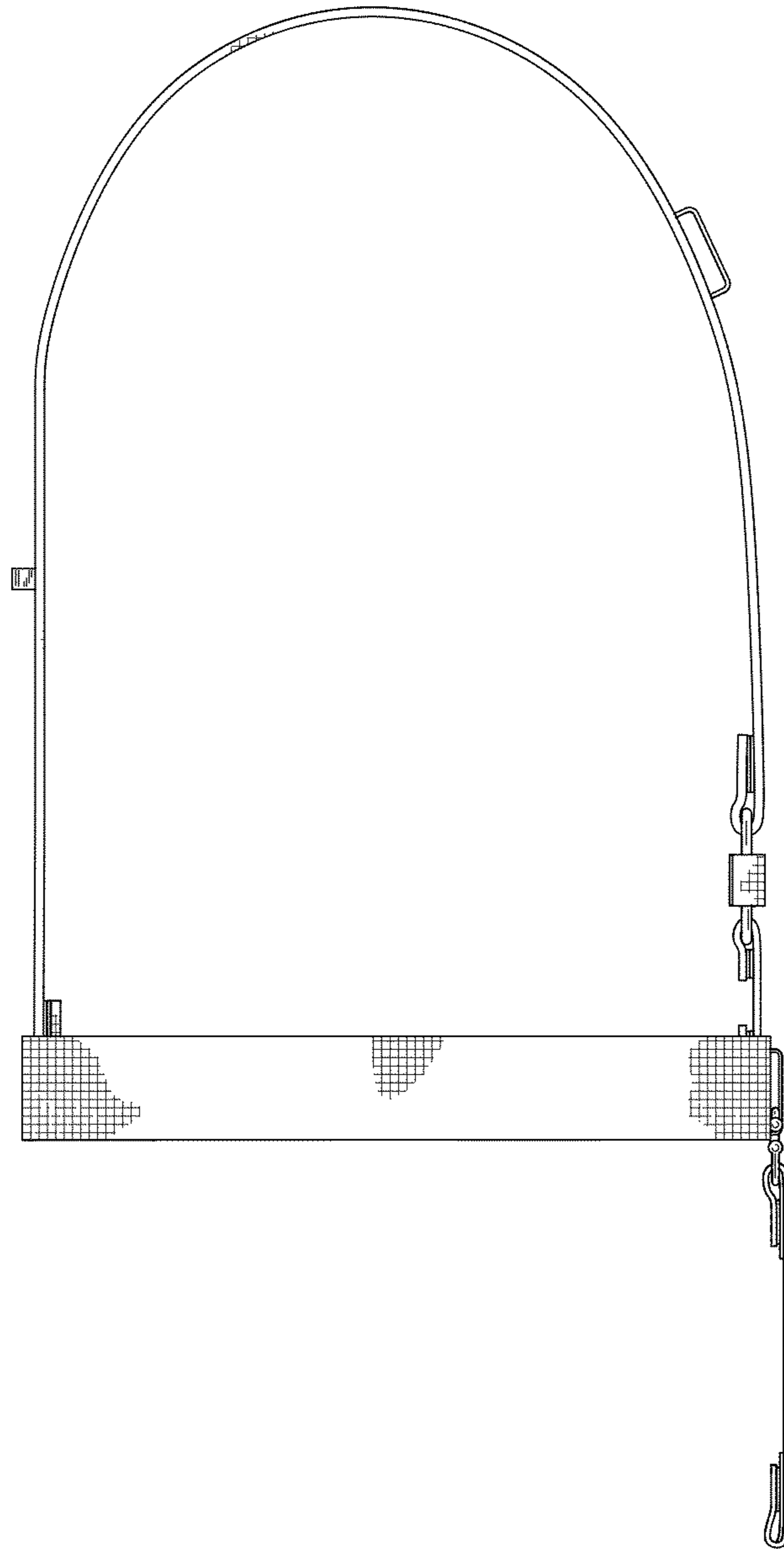


Fig. 5

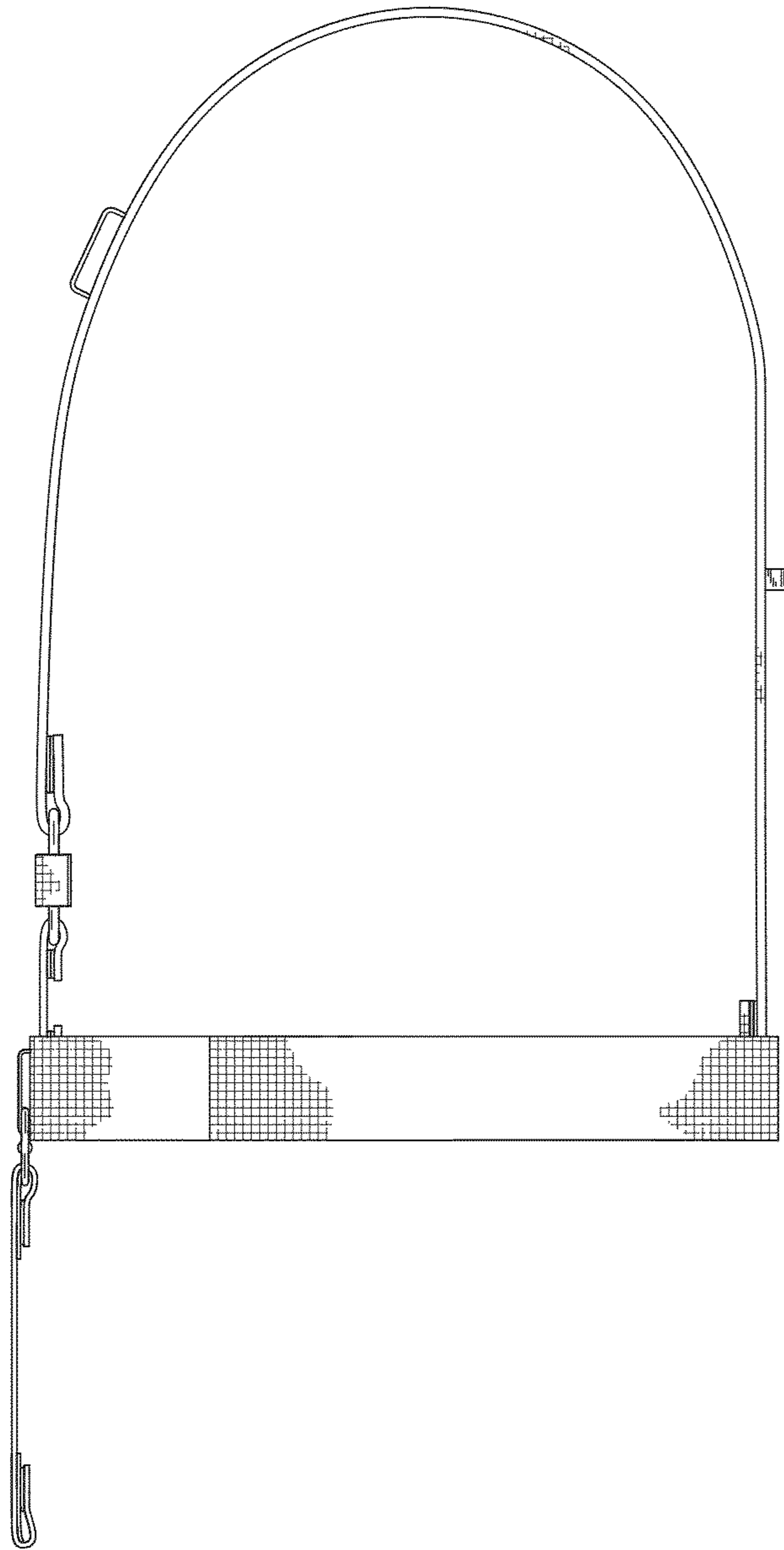


Fig. 6

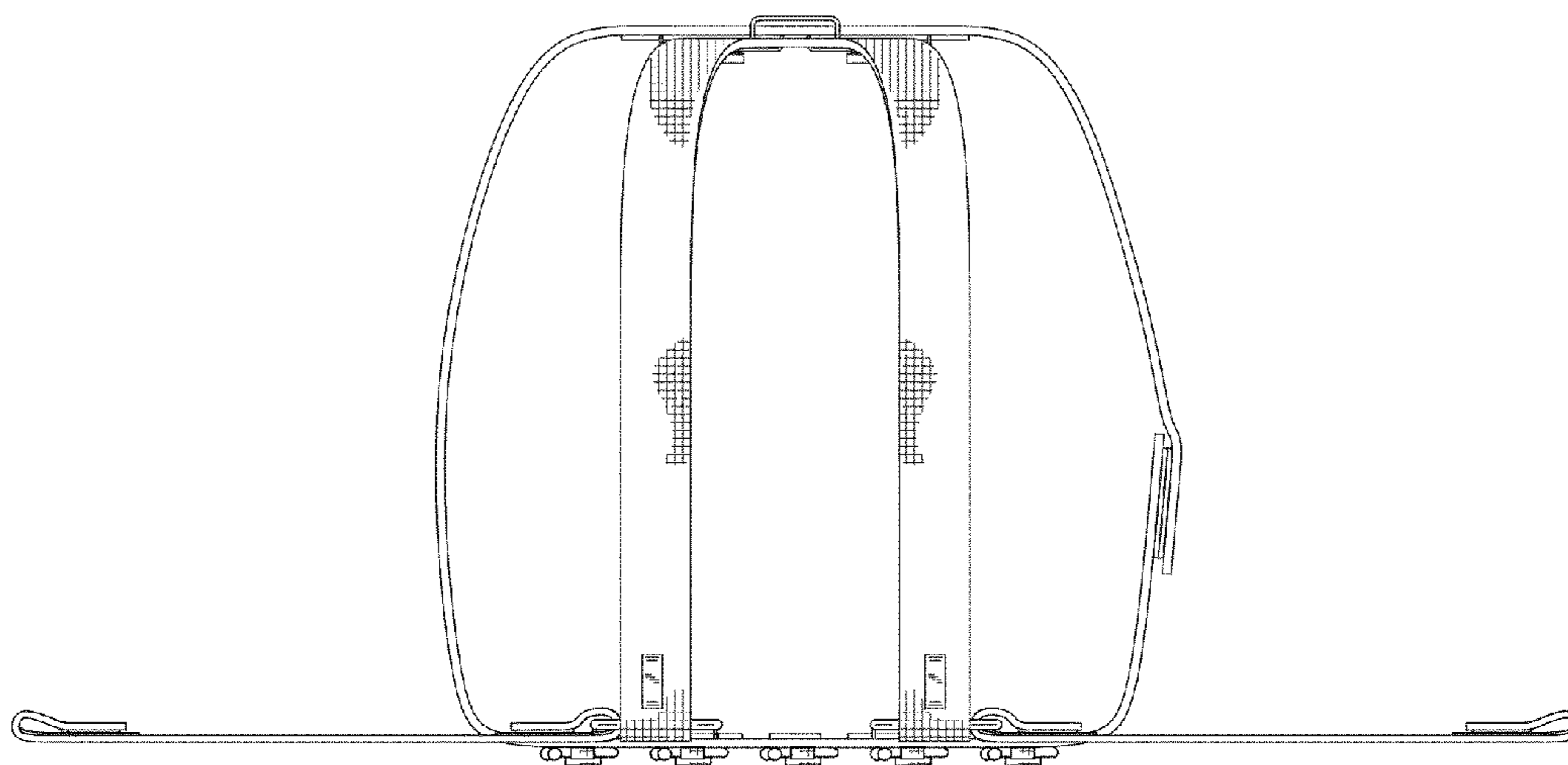


Fig. 7

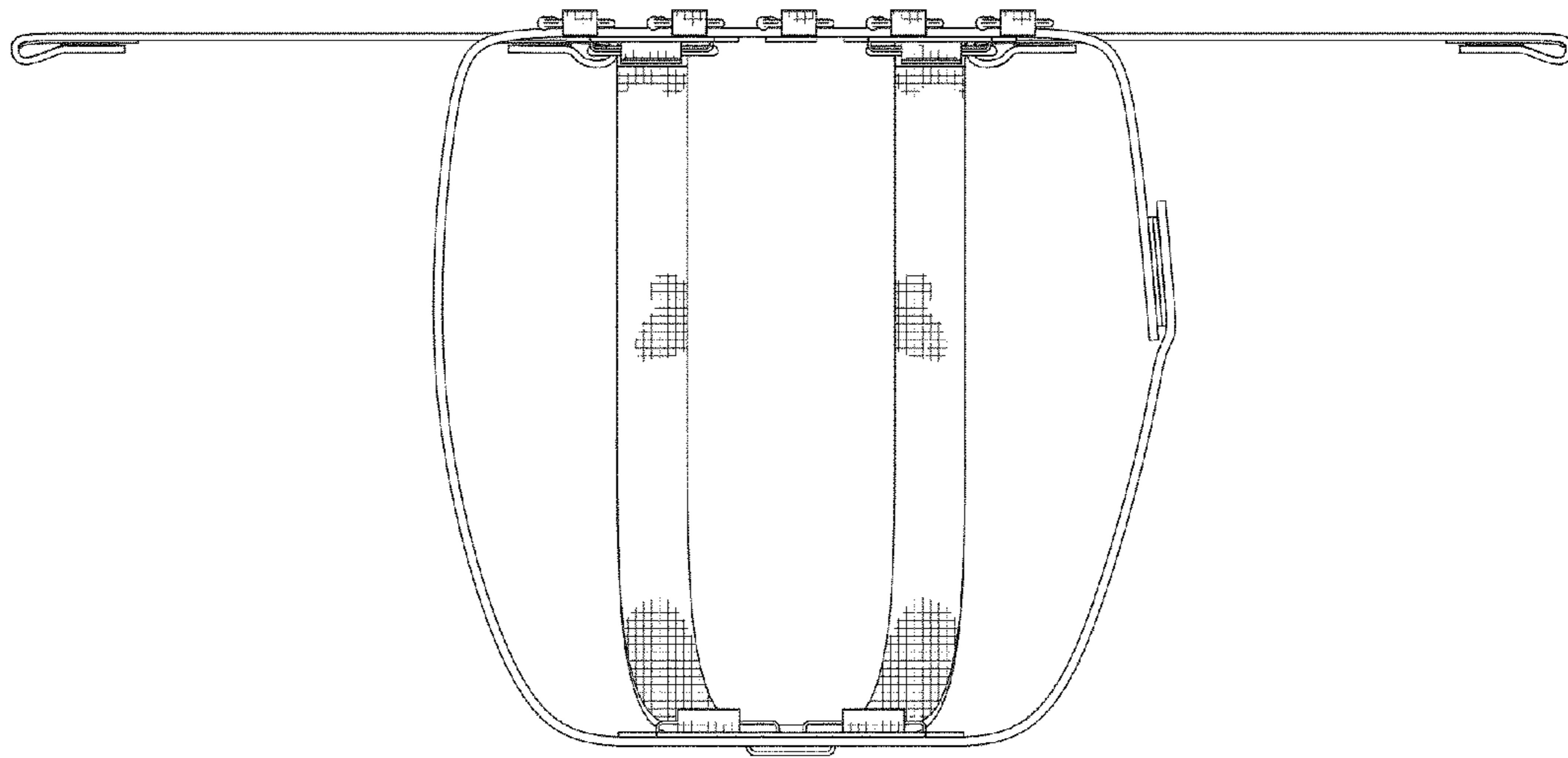


Fig. 8

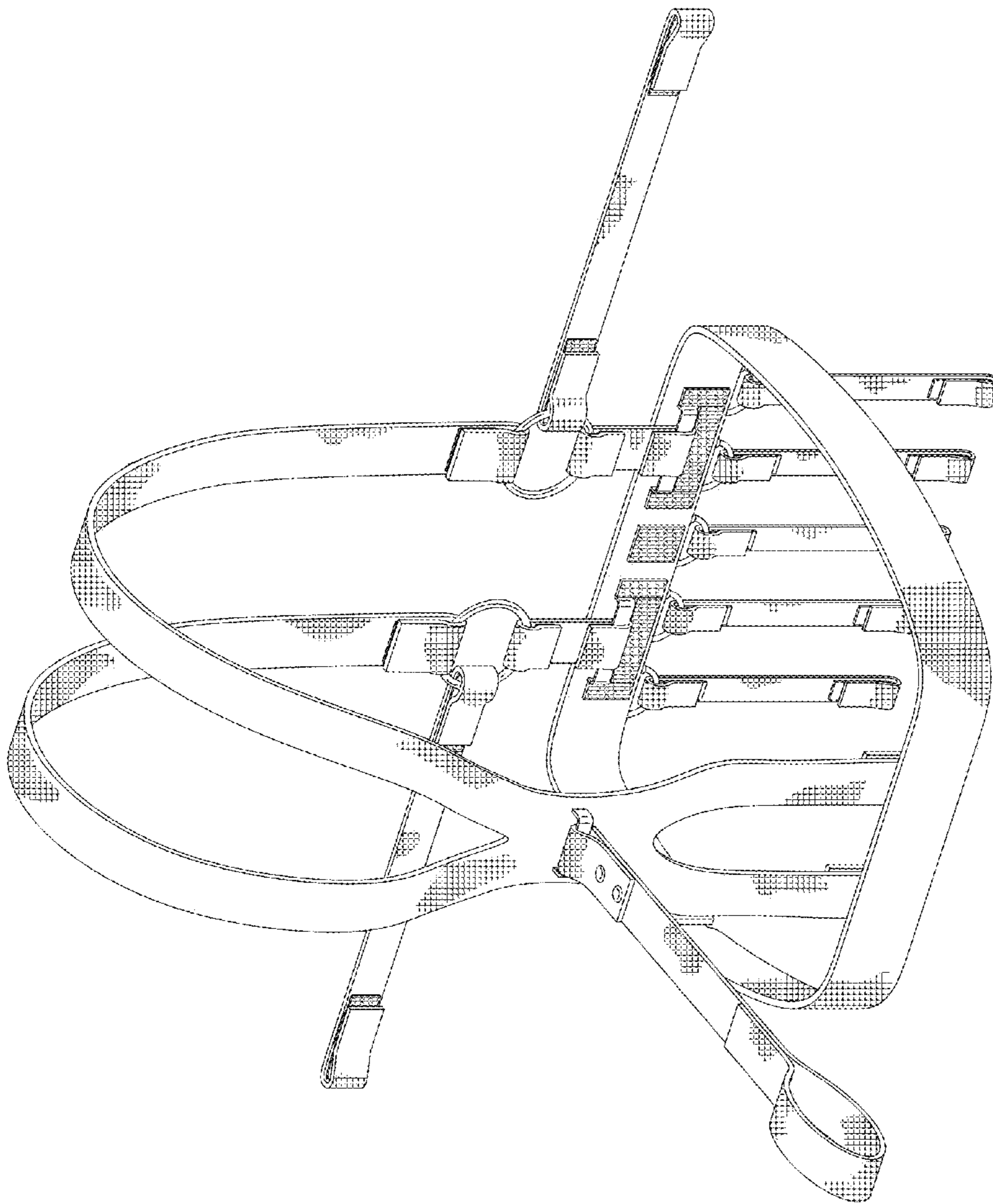


Fig. 9