



US00D686774S

(12) **United States Design Patent**
McCabe et al.

(10) **Patent No.:** **US D686,774 S**

(45) **Date of Patent:** **** Jul. 23, 2013**

(54) **VEHICLE HEADLAMP BEZEL**
(75) Inventors: **Steven M. McCabe**, Harper Woods, MI (US); **Jeasoo Kim**, Troy, MI (US); **Samuel Zhao**, Sterling Heights, MI (US)

D499,202 S * 11/2004 Tsai D26/139
D513,644 S * 1/2006 Ruzicka et al. D26/139
D544,641 S * 6/2007 Elwell et al. D26/139
D576,765 S * 9/2008 Song et al. D26/139
D595,895 S * 7/2009 Lamm D26/139
D604,893 S * 11/2009 Woolley et al. D26/139
D608,498 S * 1/2010 Beigel et al. D26/139

(73) Assignee: **GM Global Technology Operations LLC**, Detroit, MI (US)

* cited by examiner

(**) Term: **14 Years**

Primary Examiner — Marcus Jackson

(21) Appl. No.: **29/413,256**

(74) *Attorney, Agent, or Firm* — Parks IP Law LLC; Mickki D. Murray

(22) Filed: **Feb. 13, 2012**

(51) **LOC (9) Cl.** **26-99**

(57) **CLAIM**

(52) **U.S. Cl.**
USPC **D26/139**

The ornamental design for a vehicle headlamp bezel, as shown and described.

(58) **Field of Classification Search**
USPC D26/28–36; 362/459–468, 475–478, 362/485–487

DESCRIPTION

See application file for complete search history.

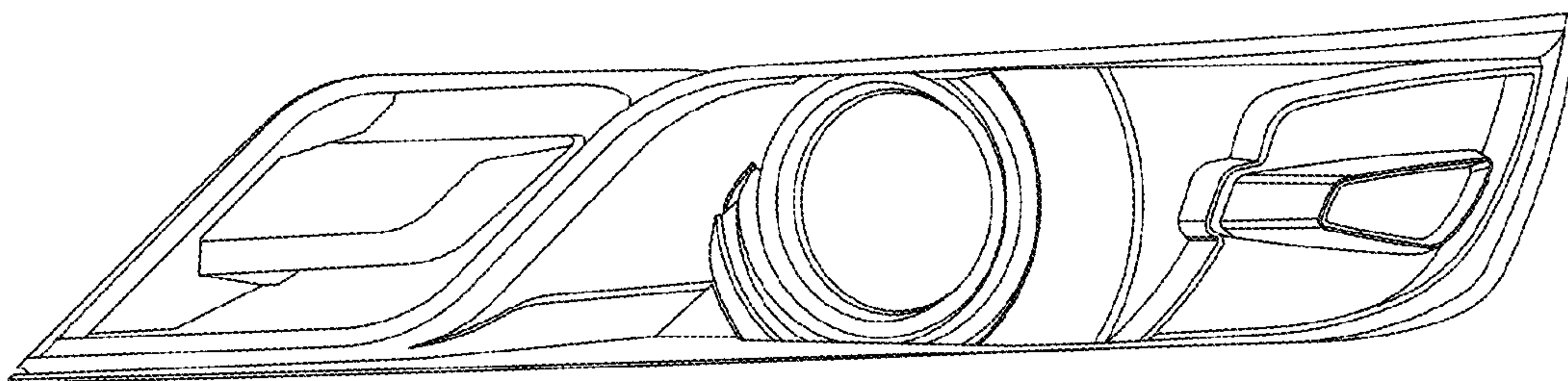
FIG. 1 is perspective view of a vehicle headlamp bezel showing the new design;
FIG. 2 is a front view, thereof; and,
FIG. 3 is a side view, thereof.

(56) **References Cited**

U.S. PATENT DOCUMENTS

D421,817 S * 3/2000 Tucker et al. D26/139
D485,934 S * 1/2004 Tsai D26/139

1 Claim, 1 Drawing Sheet



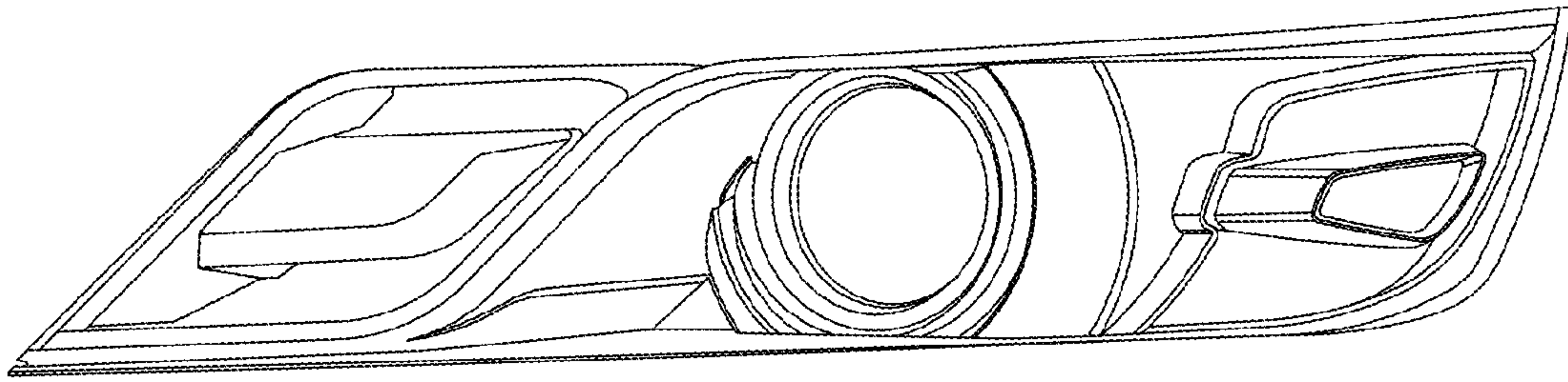


Fig-1

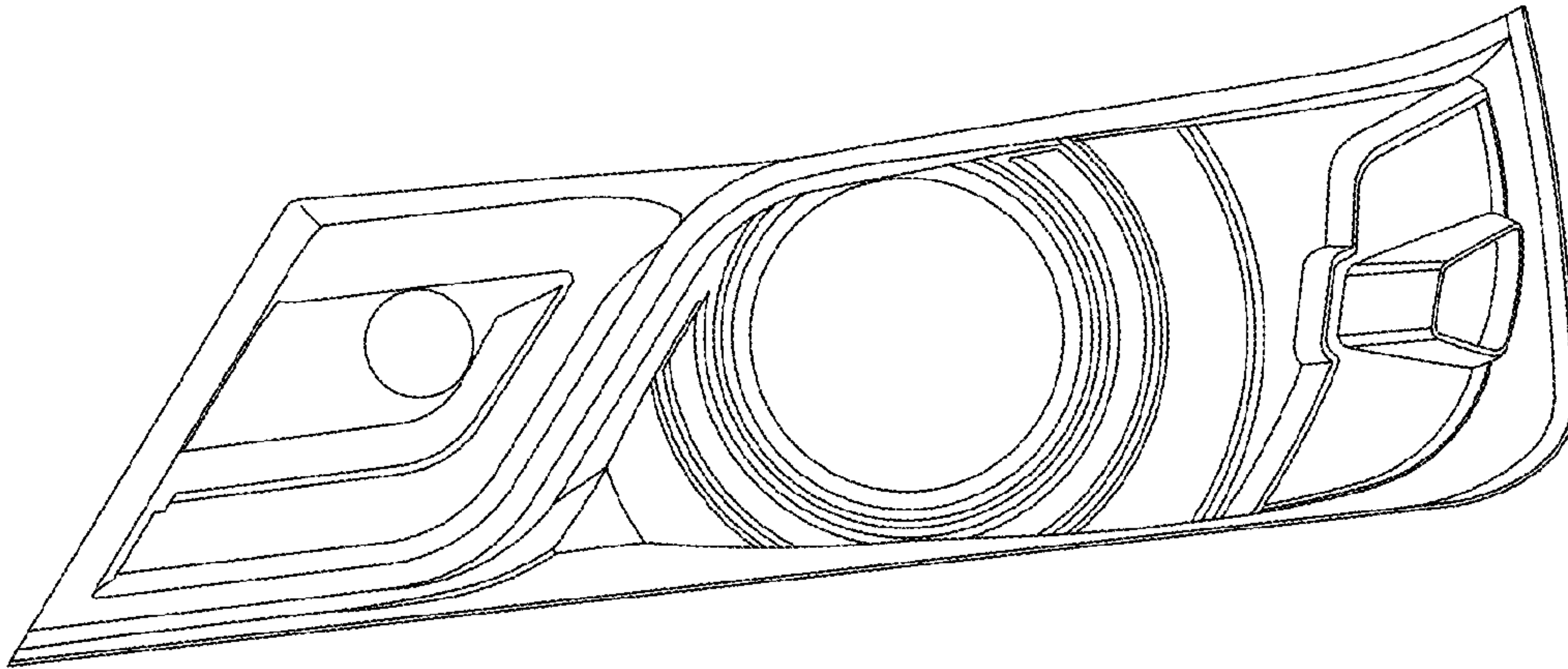


Fig-1

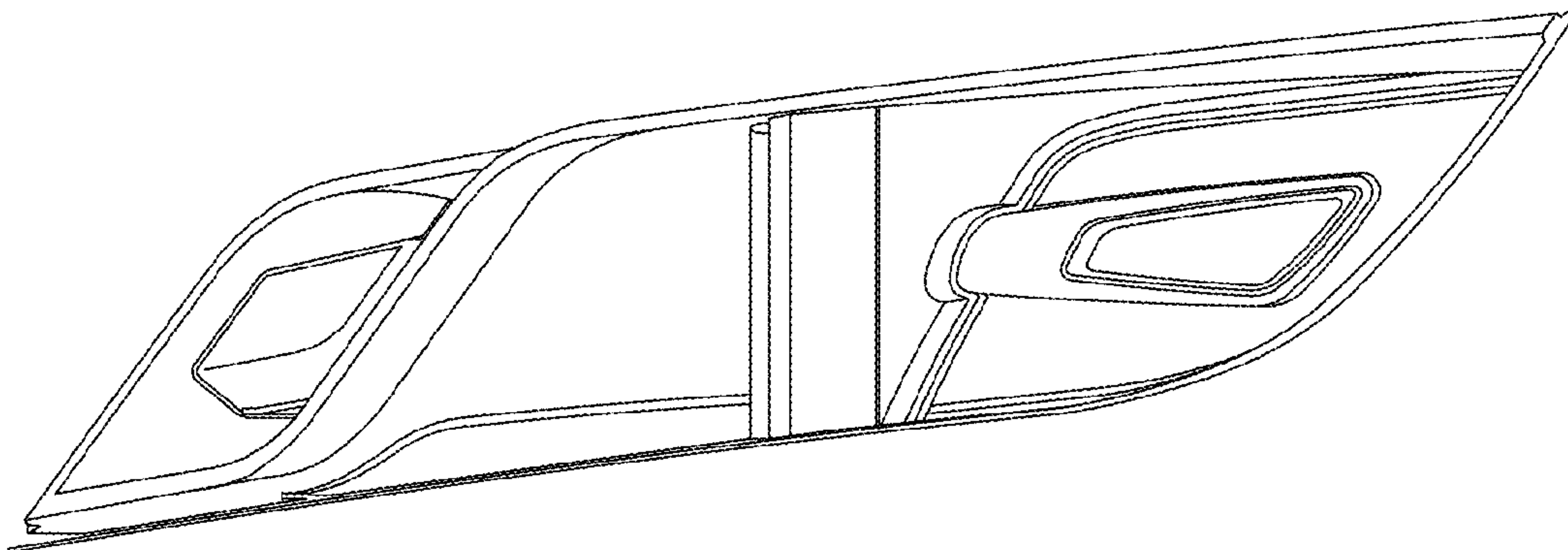


Fig-3