



US00D686773S

(12) **United States Design Patent**
Tseng et al.

(10) **Patent No.:** **US D686,773 S**
(45) **Date of Patent:** **** Jul. 23, 2013**

(54) **NARROW BEAM LED MODULE OPTIC**

(75) Inventors: **Peter K. Tseng**, San Jose, CA (US); **Jim W. Li**, Fremont, CA (US)

(73) Assignee: **Xicato, Inc.**, San Jose, CA (US)

(**) Term: **14 Years**

(21) Appl. No.: **29/428,540**

(22) Filed: **Jul. 31, 2012**

(51) **LOC (9) Cl.** **26-99**

(52) **U.S. Cl.**
USPC **D26/118**

(58) **Field of Classification Search**

USPC D26/118, 119, 120, 67, 68, 69, 62,
D26/63, 85, 86, 121, 122, 65, 124, 125, 139,
D26/138, 140, 155, 154, 72, 76, 75, 64, 66,
D26/71, 78, 79, 84, 137, 136, 126, 127, 128,
D26/129, 135, 132, 134, 142, 144, 145, 147,
D26/152, 1, 2, 3, 87, 88, 24, 25, 26, 28, 89,
D26/90, 91, 92; 362/225, 326, 147,
249.01-249.12, 346, 223, 224, 306, 149,
362/362, 217.05, 342, 217.03, 297, 294,
362/235, 329, 476, 555, 218; D13/179, 180
See application file for complete search history.

(56) **References Cited**

U.S. PATENT DOCUMENTS

1,429,762	A *	9/1922	Oliver	362/355
3,662,165	A *	5/1972	Osteen et al.	362/297
3,878,505	A *	4/1975	Seibert	362/294
D235,228	S *	5/1975	Van Steenhoven	D26/67
D268,876	S *	5/1983	Leithauser, Jr.	D26/72
4,597,031	A *	6/1986	Tsuyama	362/476
D298,862	S *	12/1988	Tharp et al.	D26/88
D299,070	S *	12/1988	Tharp et al.	D26/88
D343,252	S *	1/1994	Belisle	D26/88

D418,938	S *	1/2000	McCartney et al.	D26/88
D427,335	S *	6/2000	Noll	D26/2
D437,437	S *	2/2001	Donato	D26/63
D443,940	S *	6/2001	Donato	D26/63
6,494,596	B1 *	12/2002	Burroughs	362/348
6,575,601	B1 *	6/2003	Sitzema et al.	362/340
D487,320	S *	3/2004	Huang	D26/28
D488,880	S *	4/2004	Rahn	D26/72
6,733,158	B2 *	5/2004	Fischer et al.	362/404
7,011,430	B2 *	3/2006	Chen	362/235
7,025,476	B2 *	4/2006	Leadford	362/309
D530,836	S *	10/2006	Johnson	D26/2
D535,408	S *	1/2007	Tseng	D26/24
7,172,319	B2 *	2/2007	Holder et al.	362/341
D551,784	S *	9/2007	Krieglmeyer et al.	D26/2
D582,062	S *	12/2008	Van de Poel	D26/2
D583,980	S *	12/2008	Guercio	D26/88
D588,299	S *	3/2009	Sabernig	D26/88
D592,792	S *	5/2009	Keller	D26/88
D608,493	S *	1/2010	Zaderej et al.	D26/123
7,772,604	B2 *	8/2010	Duong et al.	257/95
7,841,748	B2 *	11/2010	Rodstein et al.	362/307
7,938,564	B2 *	5/2011	Kwong et al.	362/329

(Continued)

Primary Examiner — Kevin Rudzinski

(74) *Attorney, Agent, or Firm* — Silicon Valley Patent Group LLP

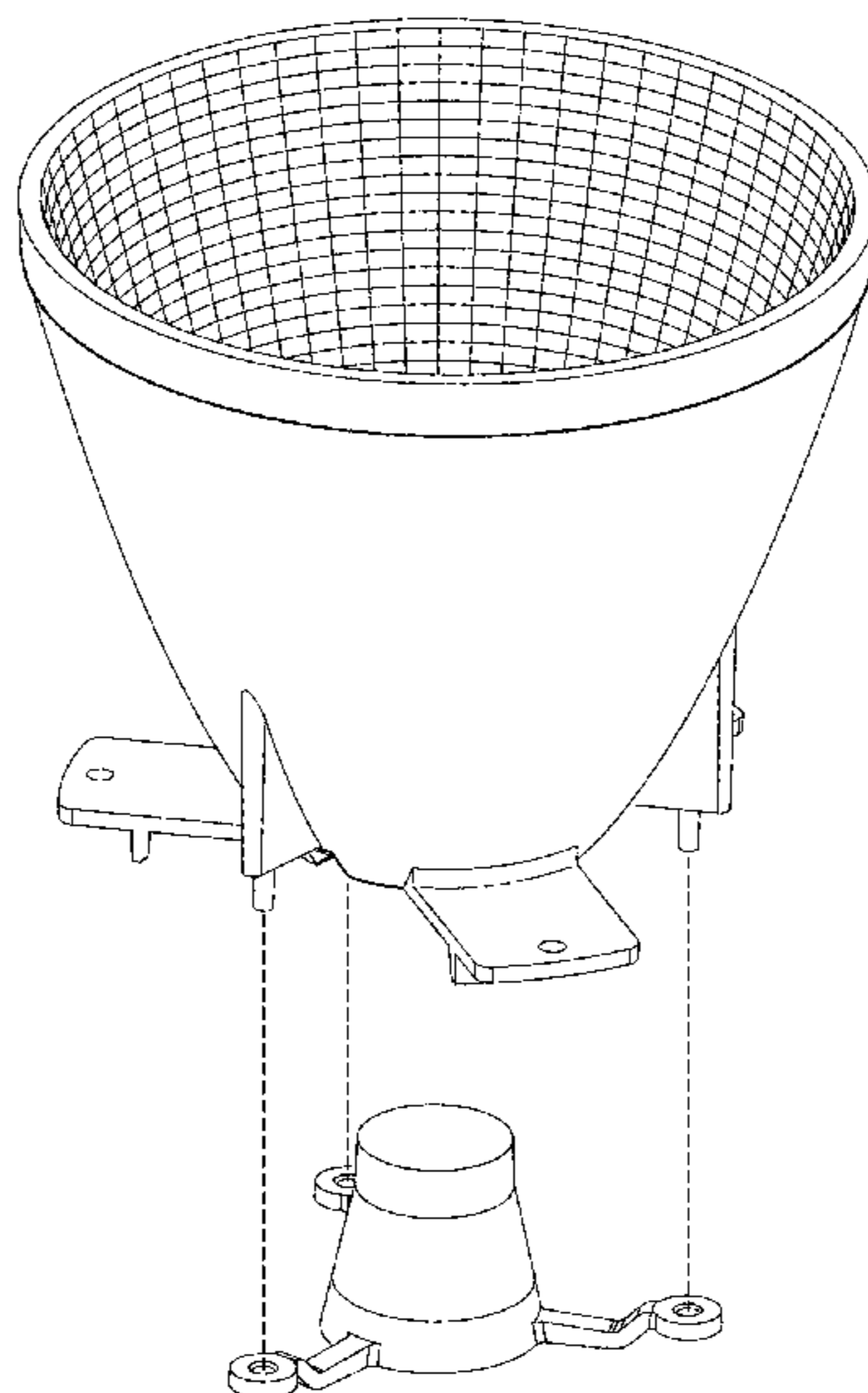
(57) **CLAIM**

The ornamental design for a narrow beam LED module optic, as shown and described.

DESCRIPTION

FIG. 1 is a perspective, exploded view of a narrow beam LED module optic showing my new design; FIG. 2 is a top perspective view thereof; FIG. 3 is a top plan view thereof; FIG. 4 is a bottom plan view thereof; and, FIG. 5 is a front elevational view thereof.

1 Claim, 5 Drawing Sheets



US D686,773 S

Page 2

U.S. PATENT DOCUMENTS

7,968,896	B2 *	6/2011	Duong et al.	257/95	2005/0073849	A1 *	4/2005	Rhoads et al.	362/296
7,985,015	B2 *	7/2011	Tasch et al.	362/555	2005/0173719	A1 *	8/2005	Yonekubo et al.	257/98
8,087,960	B2 *	1/2012	Duong et al.	445/3	2008/0080189	A1 *	4/2008	Wang	362/294
8,297,767	B2 *	10/2012	Tseng et al.	362/84	2009/0275266	A1 *	11/2009	Winberg et al.	451/36
8,337,055	B2 *	12/2012	Clifton et al.	362/362	2011/0280023	A1 *	11/2011	Lee et al.	362/338
2003/0156416	A1 *	8/2003	Stopa et al.	362/294	2013/0021808	A1 *	1/2013	Harbers et al.	362/418
2004/0141324	A1 *	7/2004	Sales	362/333					

* cited by examiner

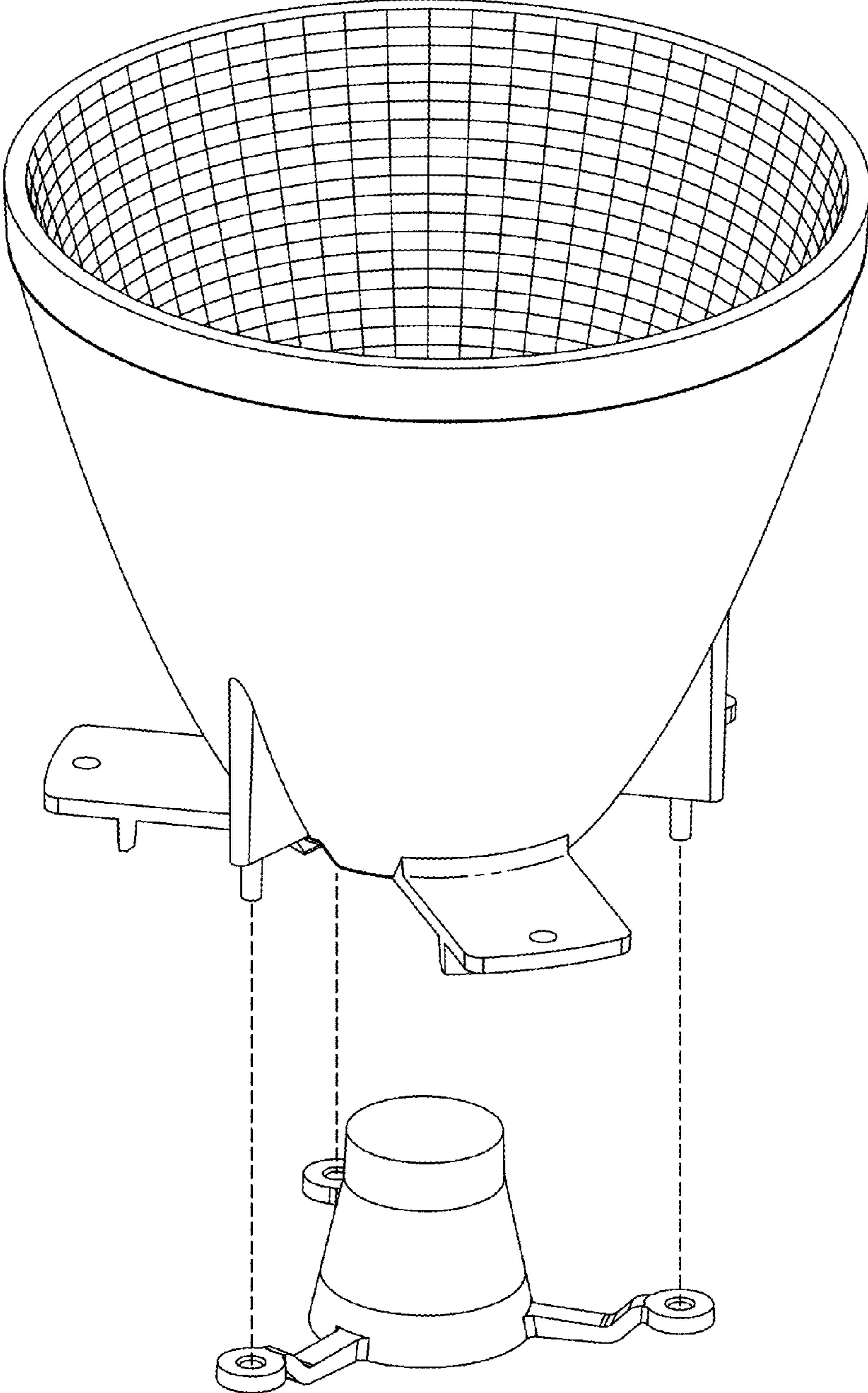


FIG. 1

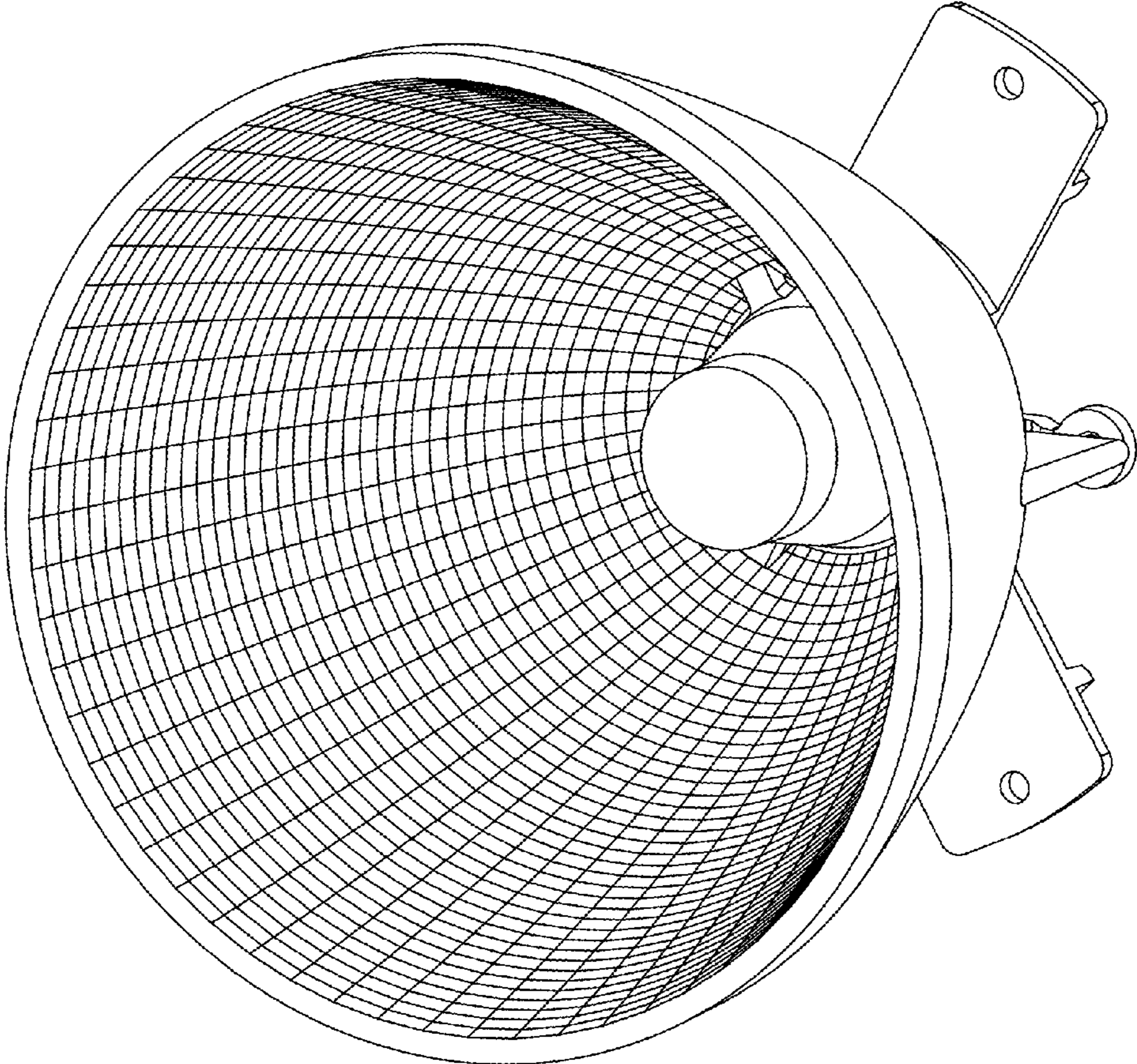


FIG. 2

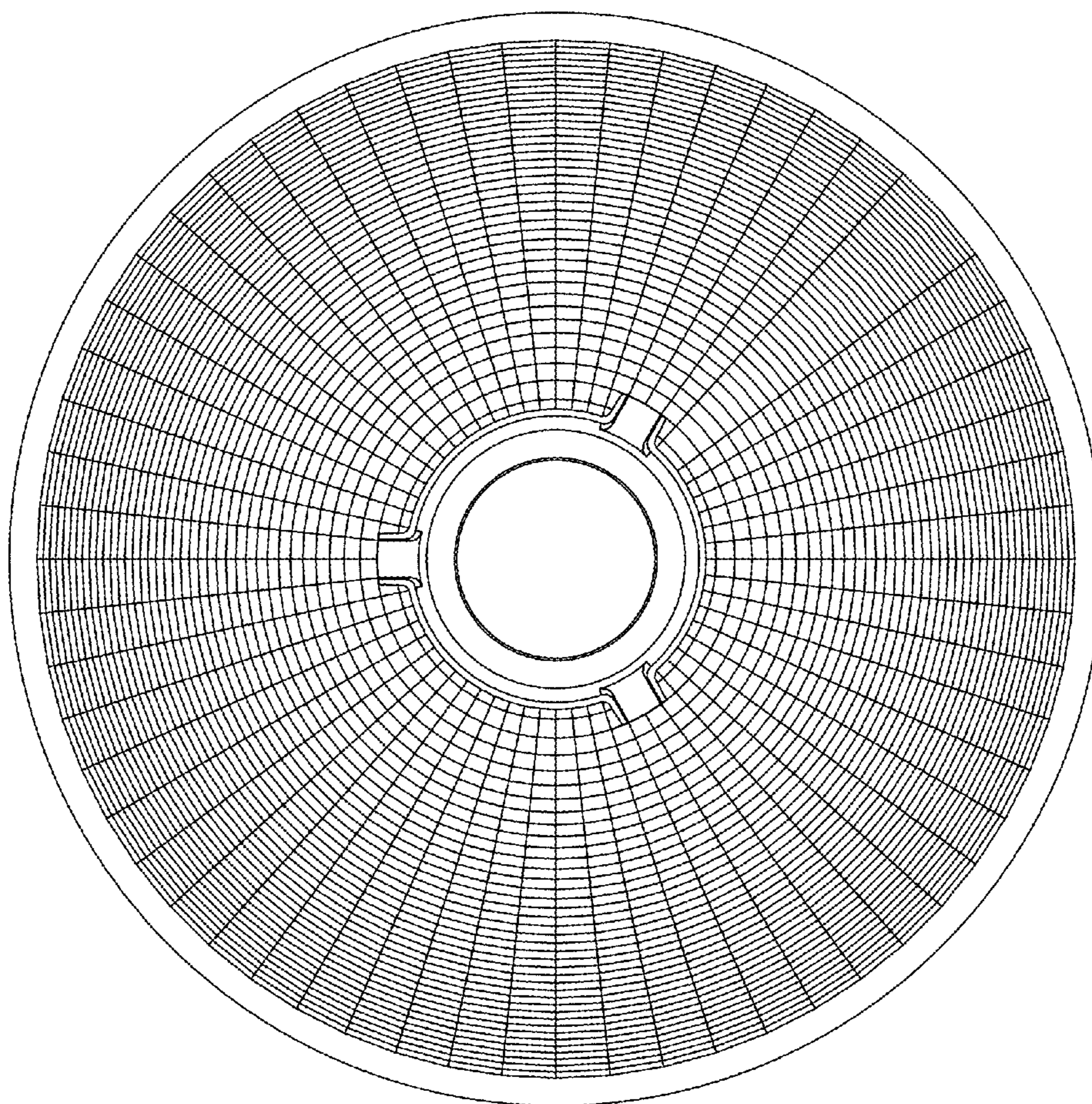


FIG. 3

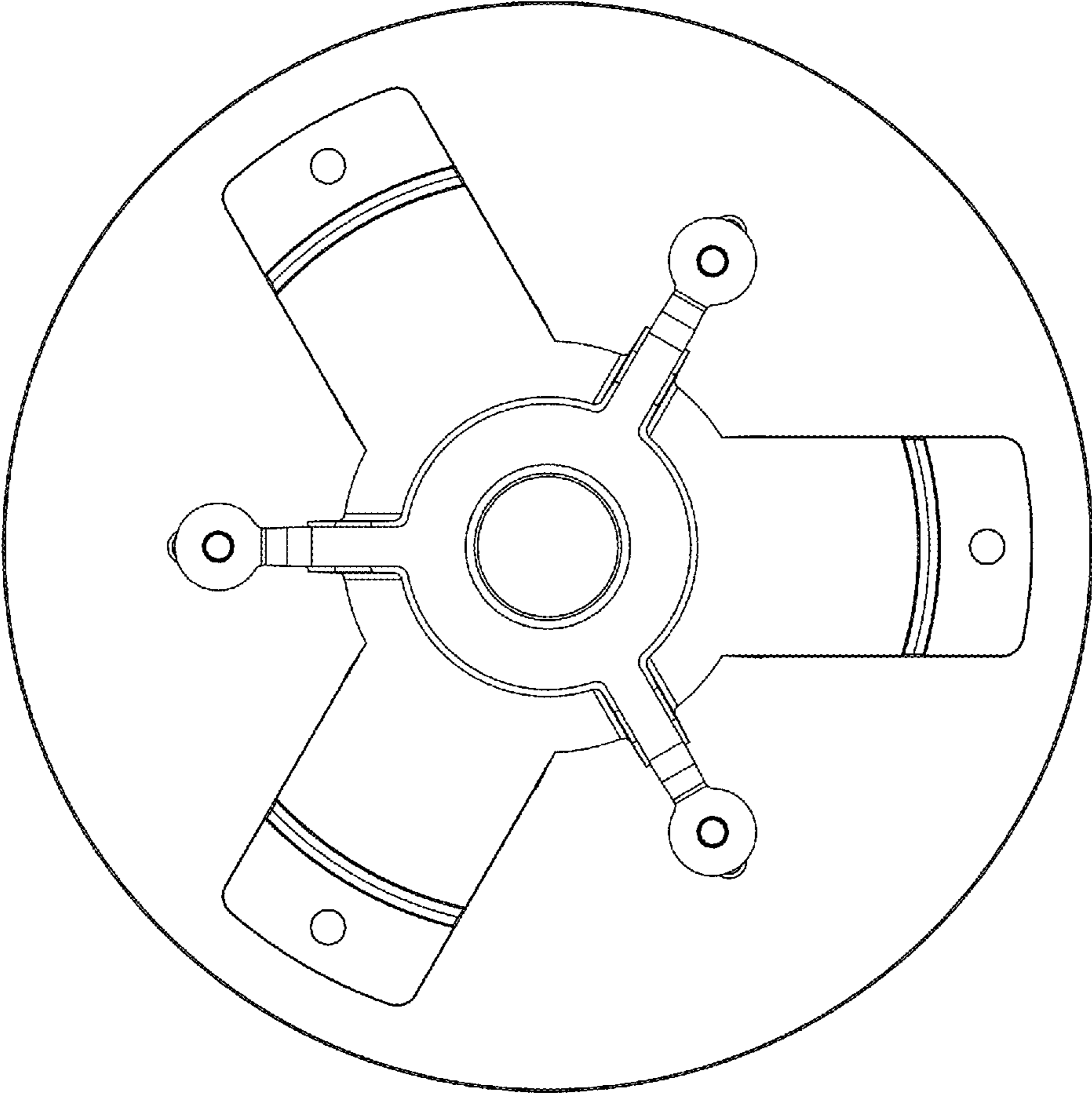


FIG. 4

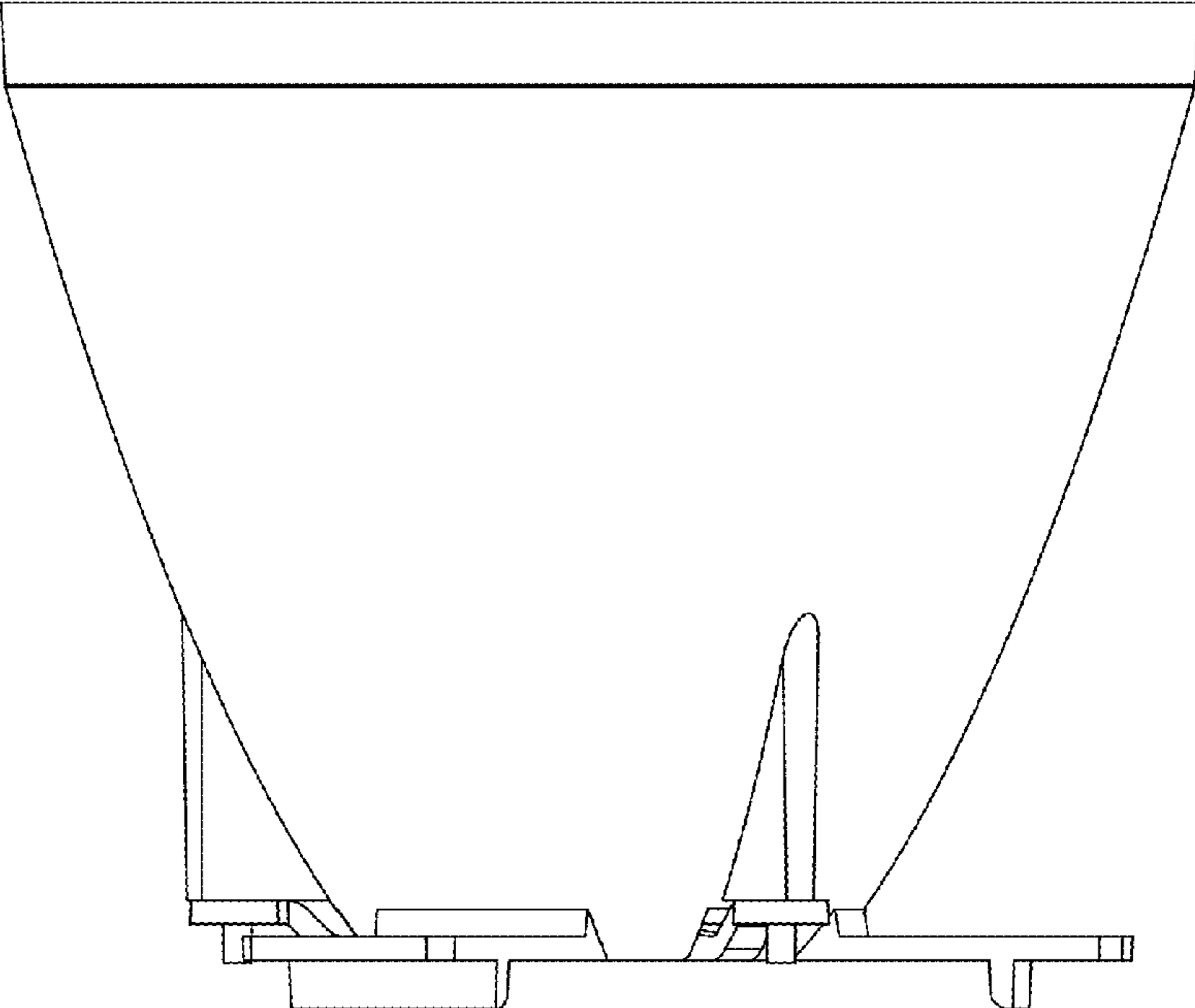


FIG. 5