



US00D686772S

(12) **United States Design Patent**  
**Waltz et al.**

(10) **Patent No.:** **US D686,772 S**  
(45) **Date of Patent:** **\*\* Jul. 23, 2013**

(54) **LIGHT MODIFIER**

(75) Inventors: **Thomas A. Waltz**, Manitou Beach, MI (US); **Kelly A. Mondora**, Perrysburg, OH (US)

(73) Assignee: **The F.J. Westcott Company**, Toledo, OH (US)

(\*\*) Term: **14 Years**

(21) Appl. No.: **29/415,795**

(22) Filed: **Mar. 14, 2012**

(51) **LOC (9) Cl.** ..... **26-99**

(52) **U.S. Cl.**  
USPC ..... **D26/118**

(58) **Field of Classification Search**  
USPC ..... D26/88, 91, 85, 86, 72, 74, 76, 118, D26/90, 134, 73, 75, 119, 120, 121, 122, D26/113, 71, 84, 128, 129, 2, 125, 78, 77, D26/138, 26, 89, 124, 130, 9, 10, 11, 24, D26/25, 63, 64, 65, 69, 127; 362/311.13, 362/249.01-249.12, 373, 362, 326, 247, 362/342, 220, 147, 148, 282, 339, 620, 223, 362/376, 219; D23/412, 385, 388; 349/64, 349/62, 63, 65; D16/101; D13/179, 180  
See application file for complete search history.

(56) **References Cited**

U.S. PATENT DOCUMENTS

1,930,315	A *	10/1933	Kobayashi	.....	362/16
D225,768	S *	1/1973	Hernandez et al.	.....	D26/63
4,315,302	A *	2/1982	Petralia	.....	362/652
4,713,916	A *	12/1987	Brooks, Jr.	.....	52/39
4,835,661	A *	5/1989	Fogelberg et al.	.....	362/97.1
D352,126	S *	11/1994	Ruud et al.	.....	D26/67
5,722,770	A *	3/1998	Douglas	.....	362/285

D434,515	S *	11/2000	McNamara	.....	D26/63
D456,928	S *	5/2002	Russello et al.	.....	D26/85
D456,930	S *	5/2002	Russello et al.	.....	D26/85
6,422,709	B1 *	7/2002	Panagiotou	.....	362/16
D475,154	S *	5/2003	Binsukor	.....	D26/72
6,905,222	B1 *	6/2005	Russello et al.	.....	362/147
7,246,925	B2 *	7/2007	Waltz et al.	.....	362/355
D550,388	S *	9/2007	Binsukor	.....	D26/67
D552,778	S *	10/2007	Butler	.....	D26/63
D577,146	S *	9/2008	Haugaard et al.	.....	D26/118
D614,801	S *	4/2010	Collins et al.	.....	D26/118
D625,450	S *	10/2010	Rosenkrantz et al.	.....	D26/61
D640,404	S *	6/2011	Chipperfield	.....	D26/63
D659,280	S *	5/2012	Guercio et al.	.....	D26/118

\* cited by examiner

*Primary Examiner* — Kevin Rudzinski

(74) *Attorney, Agent, or Firm* — Emch, Schaffer, Schaub & Porcello, Co., L.P.A.

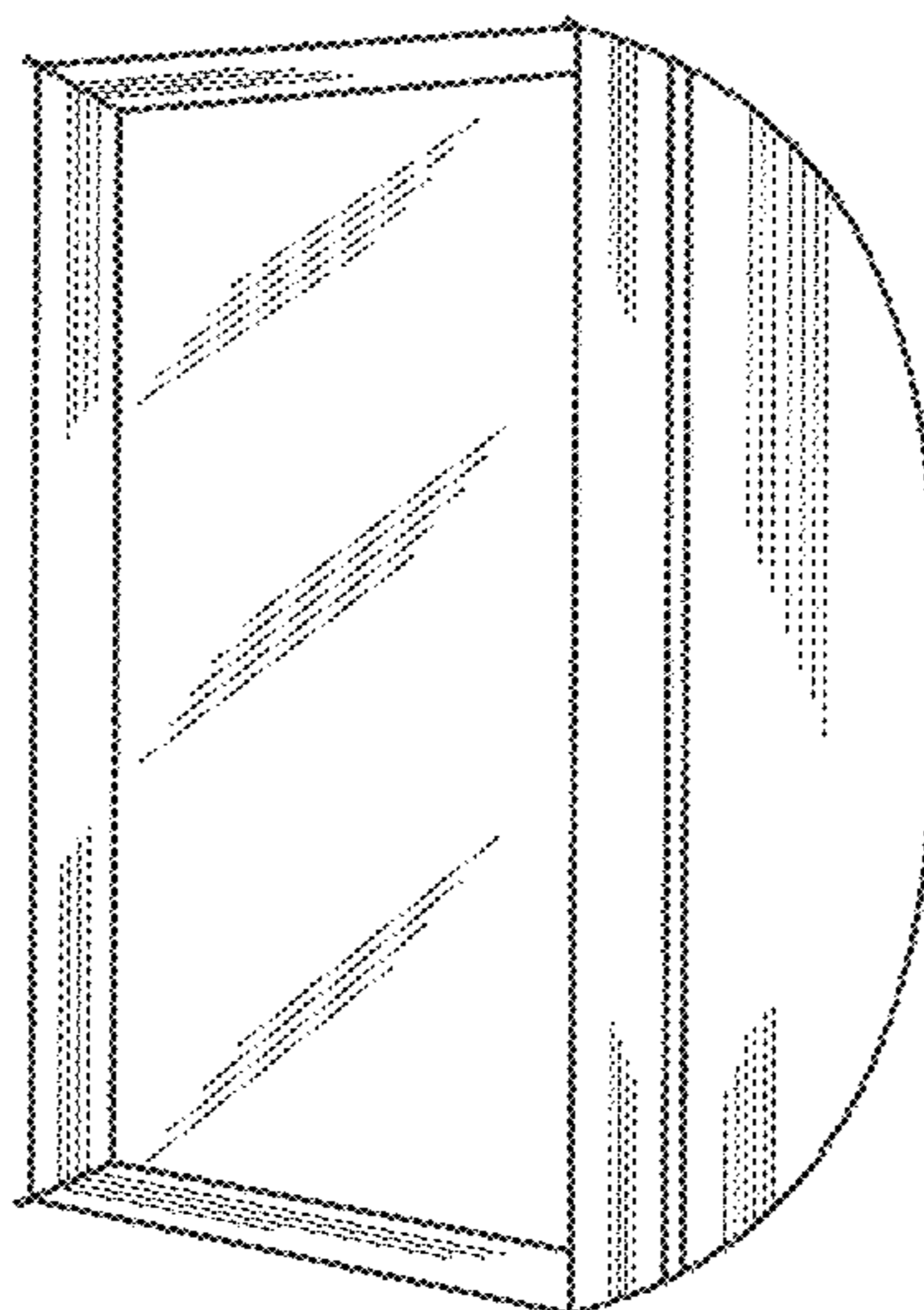
(57) **CLAIM**

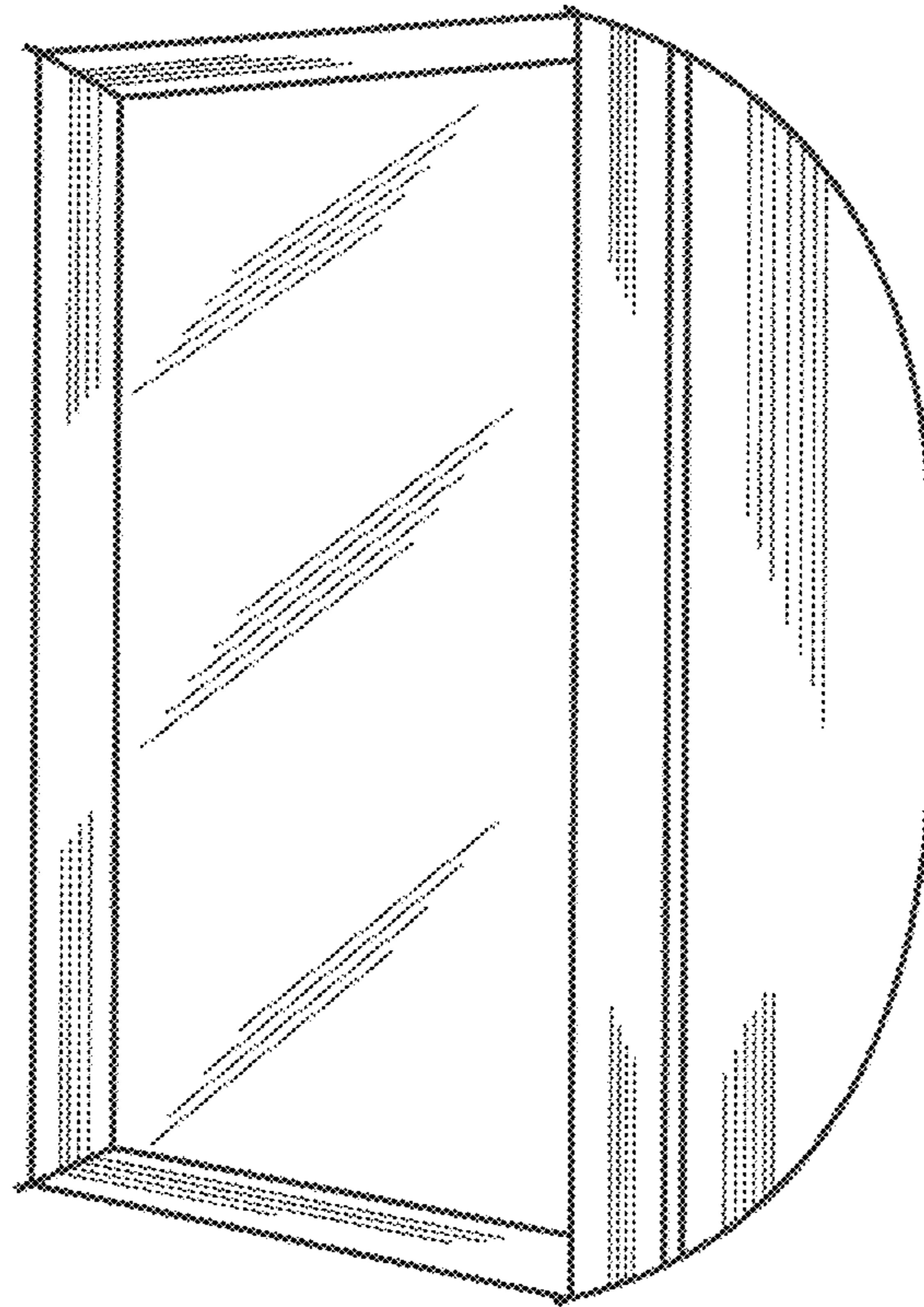
The ornamental design for a light modifier, as shown and described.

**DESCRIPTION**

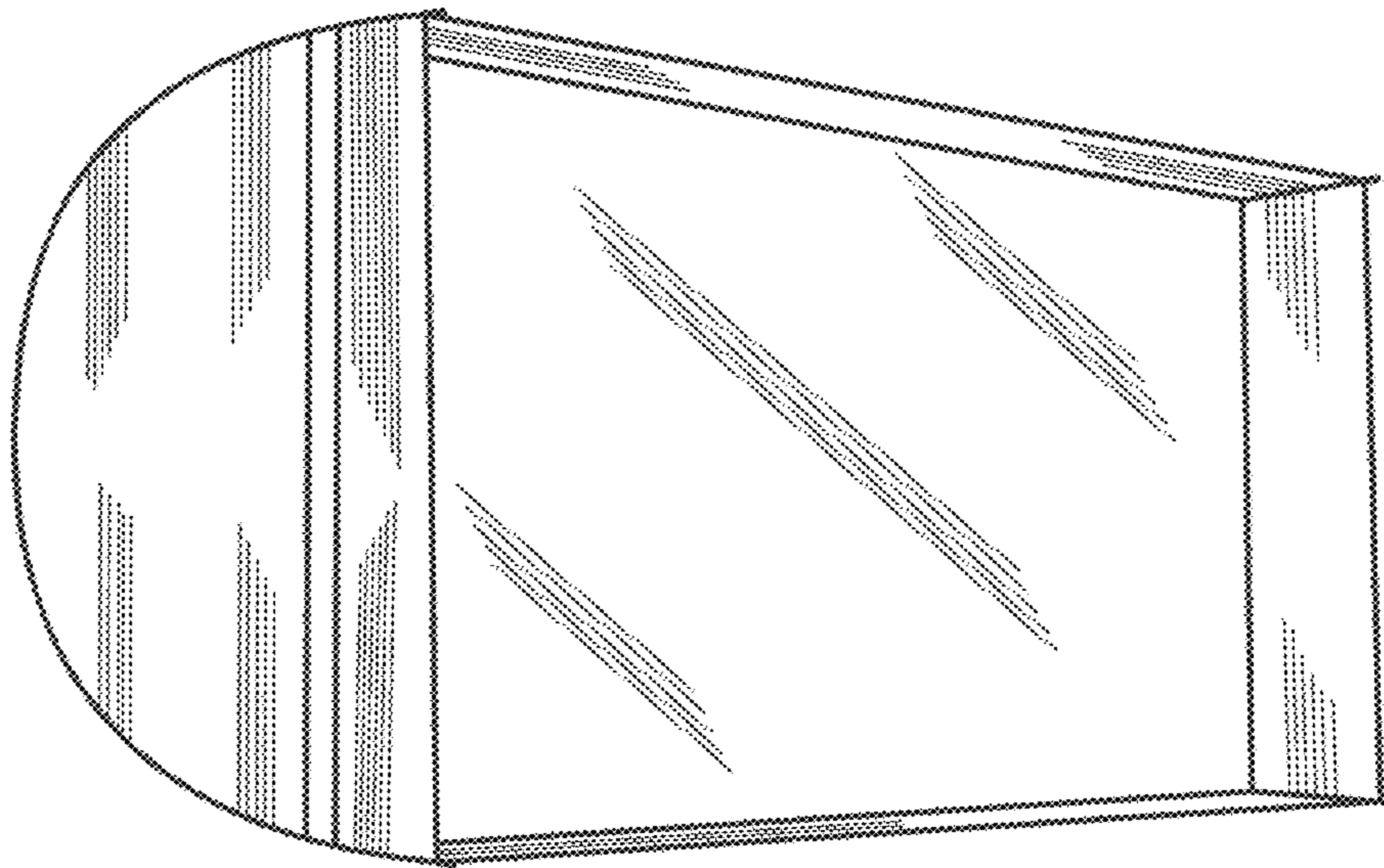
FIG. 1 is a front perspective view of the light modifier of the present invention;  
 FIG. 2 is a side perspective view of the invention;  
 FIG. 3 is a top view of the invention;  
 FIG. 4 is a bottom view of the invention;  
 FIG. 5 is a front view of one configuration of the invention with the light diffuser cover removed;  
 FIG. 6 is a front perspective view of a second configuration of the invention;  
 FIG. 7 is a back view of the invention;  
 FIG. 8 is a bottom view of the invention; and,  
 FIG. 9 is a right side elevation view of the invention, the left side is a mirror image of the right side.

**1 Claim, 9 Drawing Sheets**

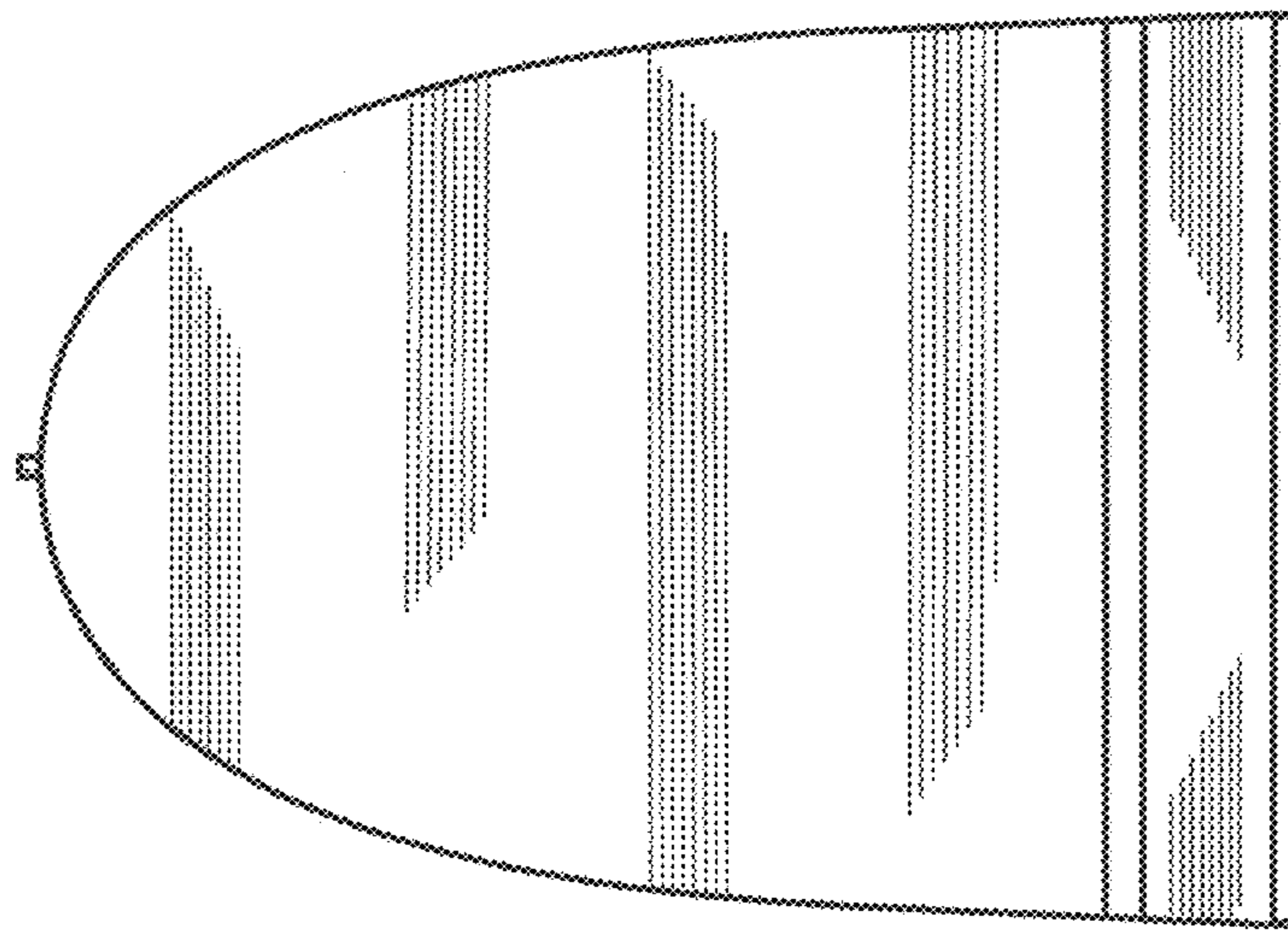




—FIG. 1

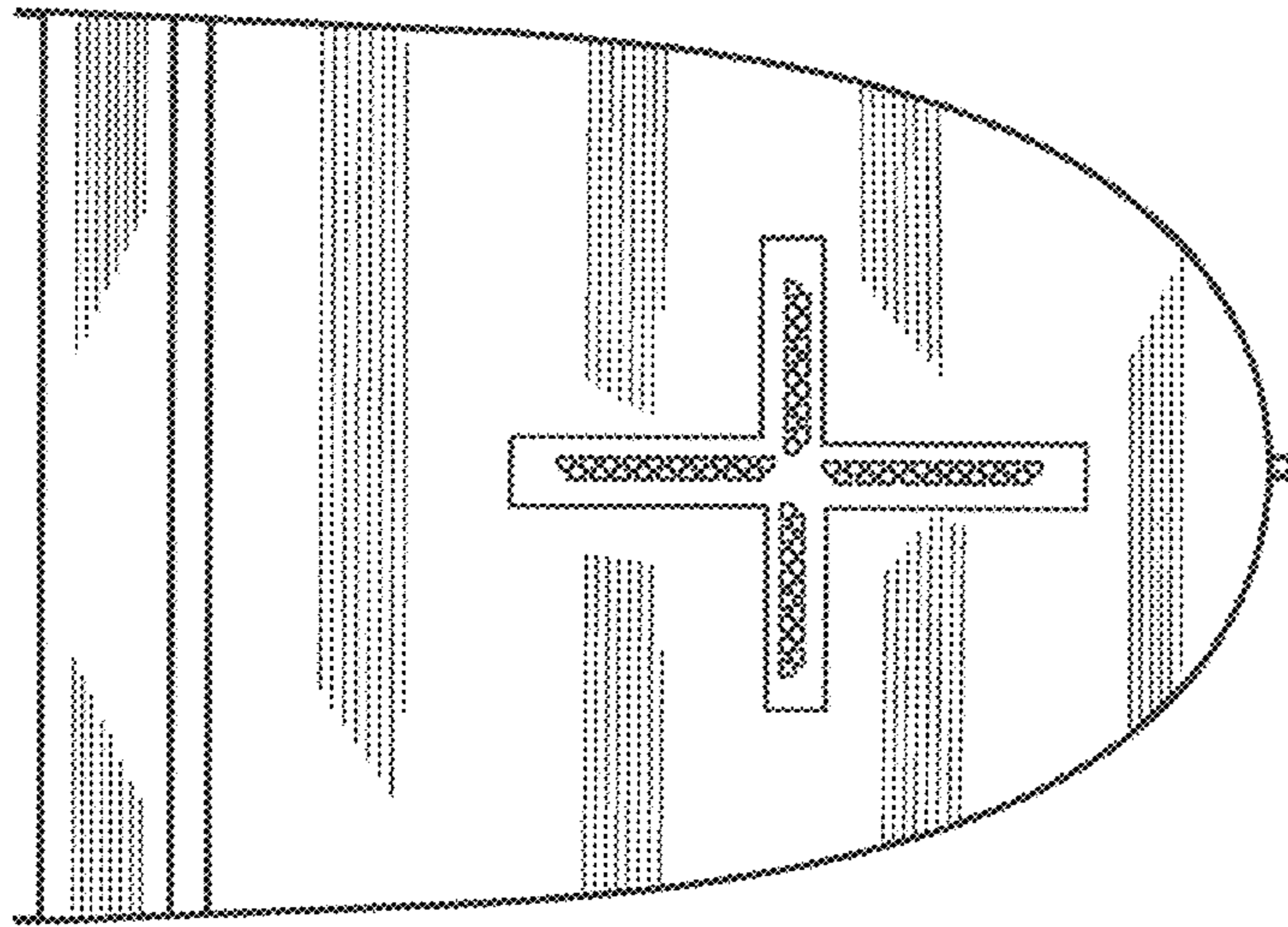


—FIG. 2

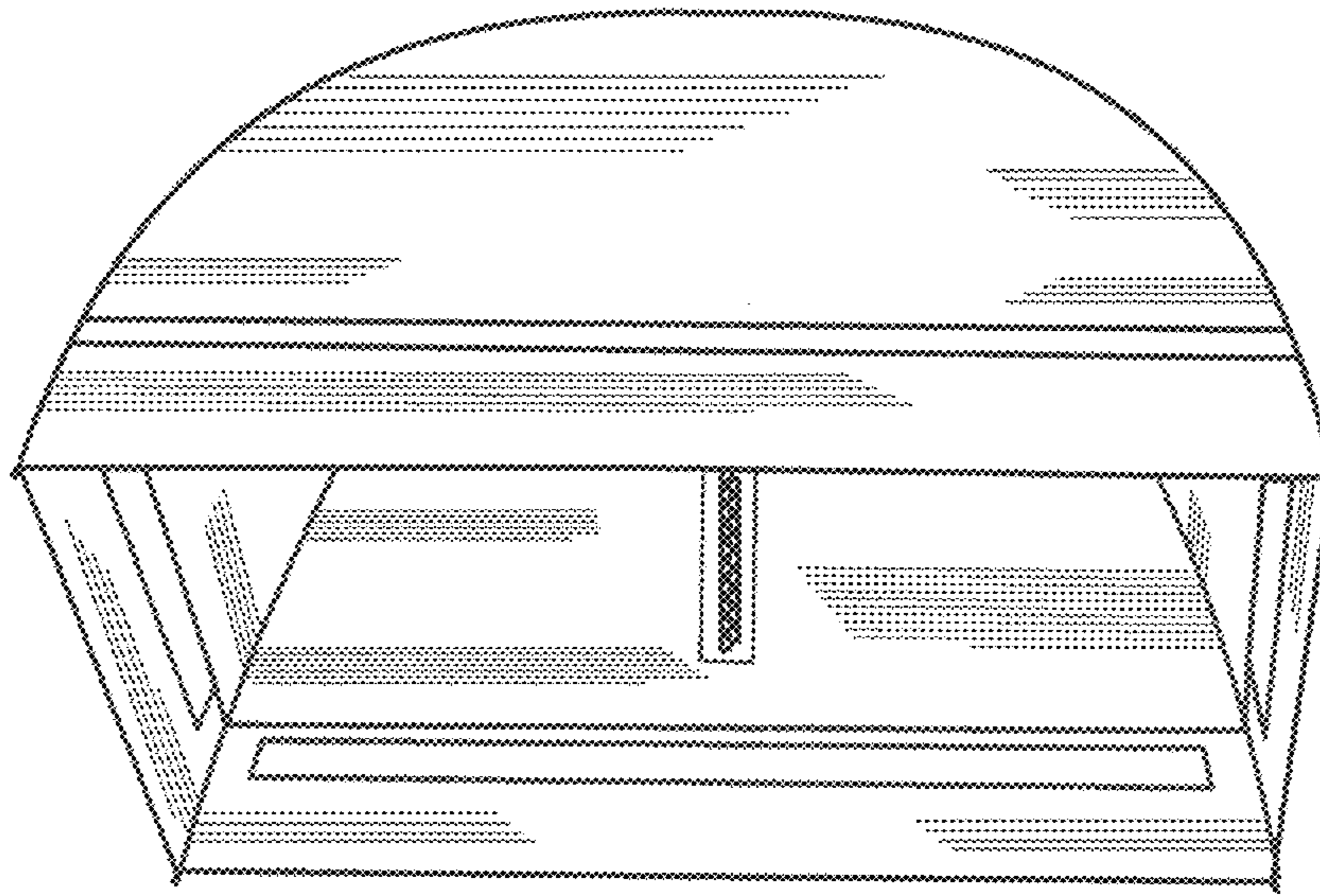


—FIG. 3





— FIG. 4



—FIG. 5

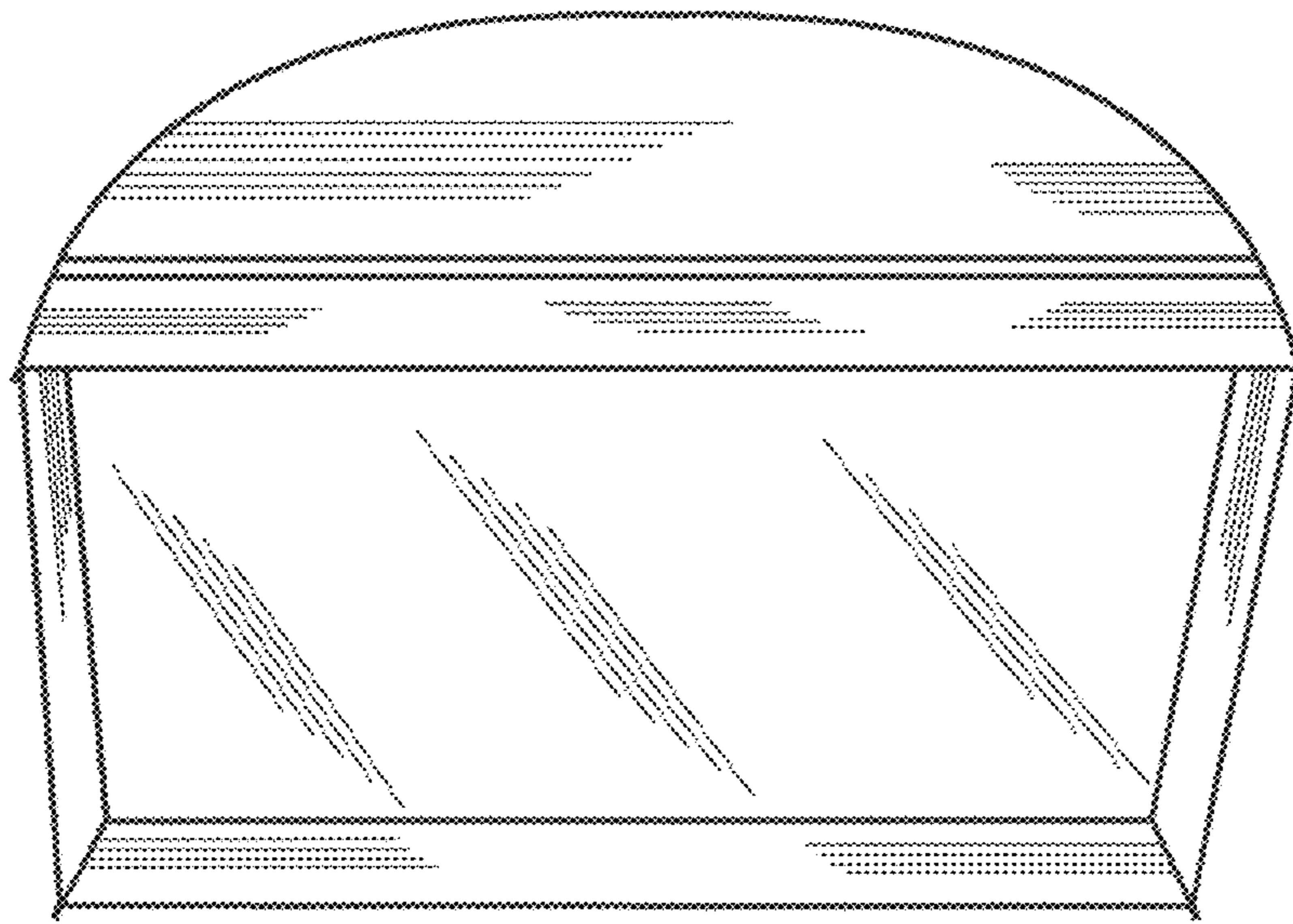
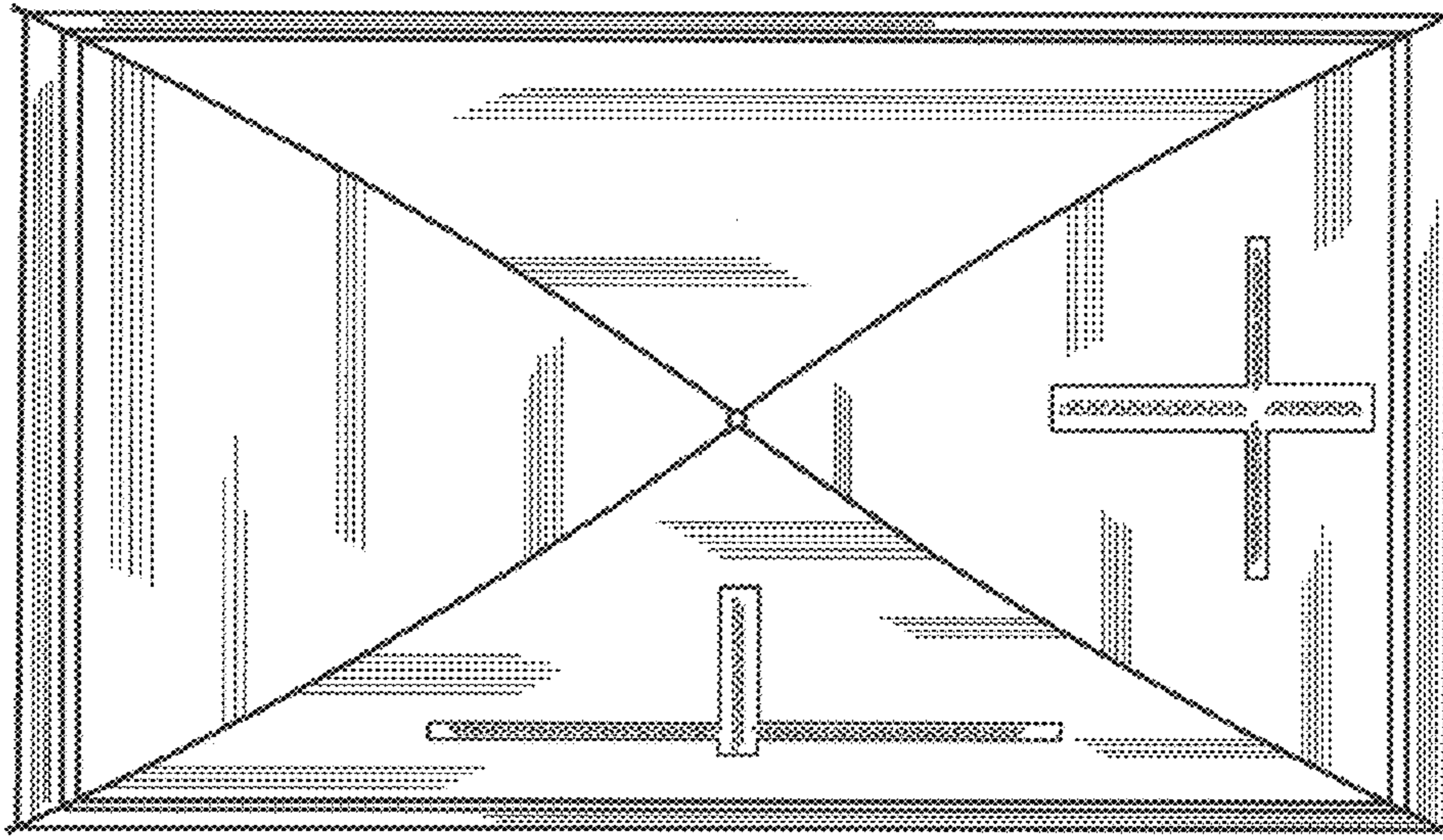


FIG. 6



—FIG. 7



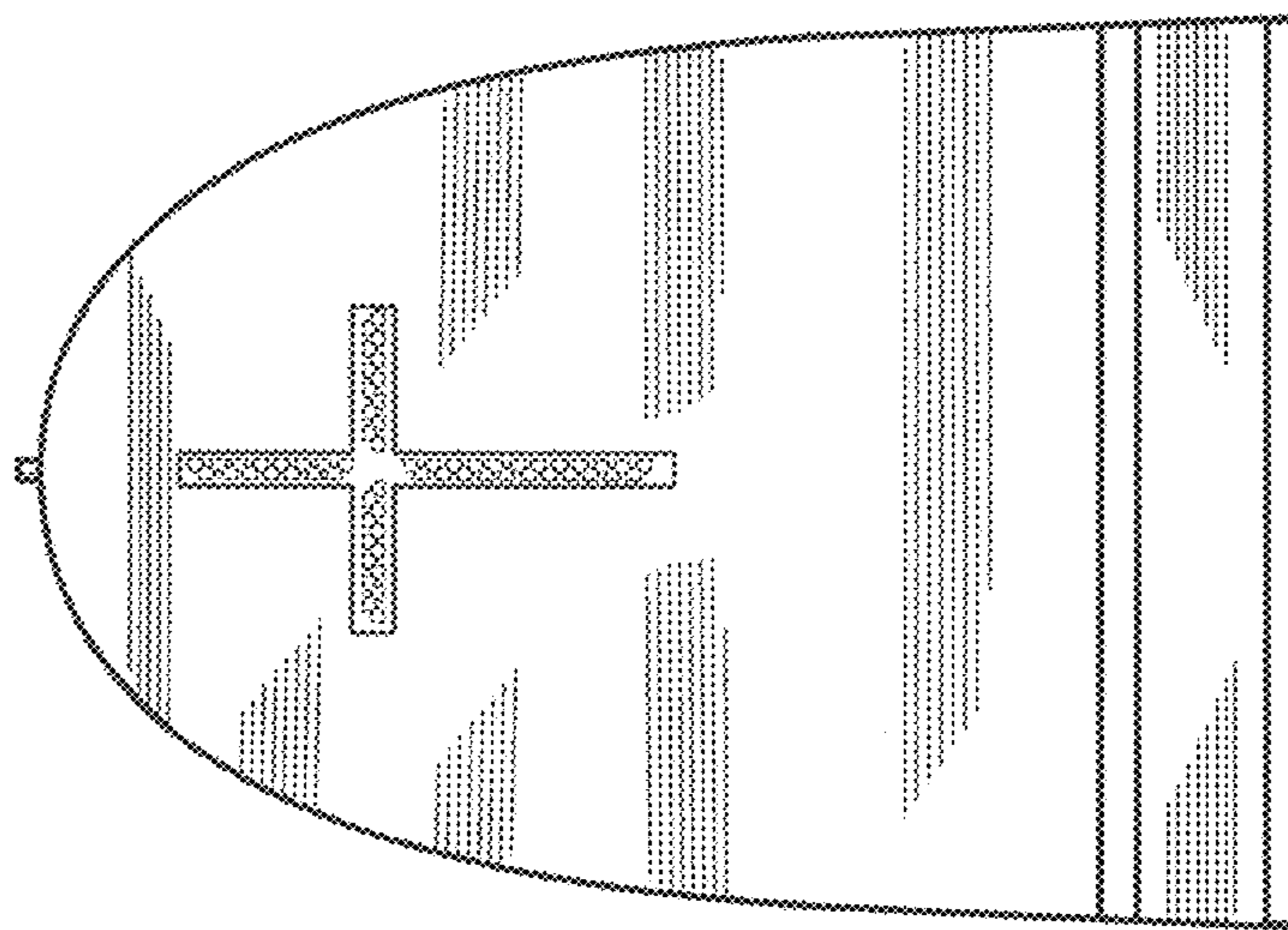


FIG. 8

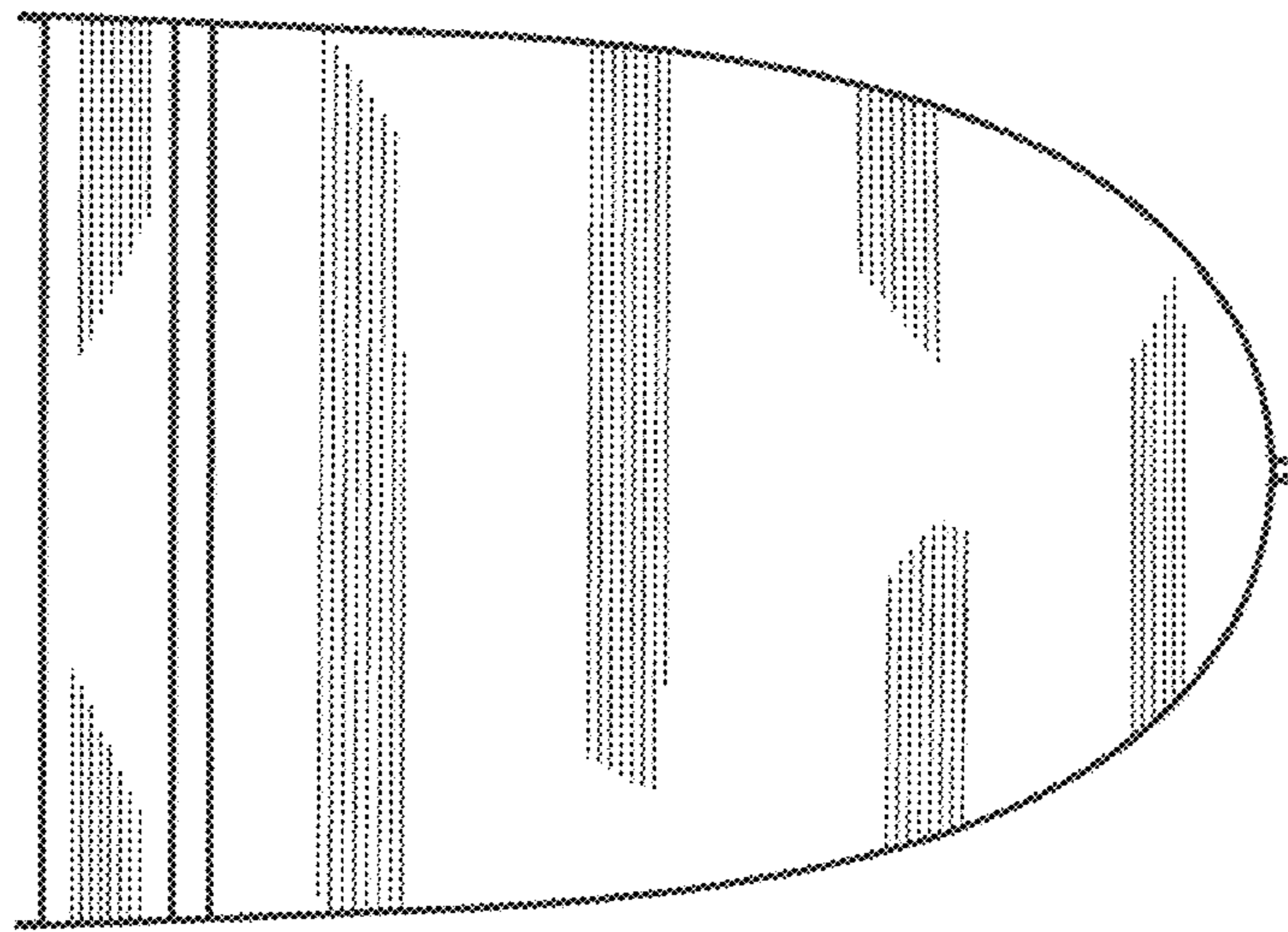


FIG. 9