



US00D686770S

(12) **United States Design Patent**
Orozco

(10) **Patent No.:** **US D686,770 S**
(45) **Date of Patent:** **** Jul. 23, 2013**

(54) **LIGHT FIXTURE**

(75) Inventor: **Sergio J. Orozco**, West New York, NJ (US)

(73) Assignee: **Quoizel, Inc.**, Goose Creek, SC (US)

(**) Term: **14 Years**

(21) Appl. No.: **29/417,408**

(22) Filed: **Apr. 3, 2012**

(51) **LOC (9) Cl.** **26-03**

(52) **U.S. Cl.**
USPC **D26/86; D26/143**

(58) **Field of Classification Search**
USPC D26/67, 80, 85, 86, 87, 118, 128,
D26/129, 130, 143; 362/147, 362, 431, 432,
362/367

See application file for complete search history.

(56) **References Cited**

U.S. PATENT DOCUMENTS

D313,669 S *	1/1991	Sonneman	D26/109
D314,059 S	1/1991	O'Neil		
D320,465 S	10/1991	Sonneman		
D404,514 S	1/1999	Orozco		
D416,643 S *	11/1999	Benghozi	D26/86
D444,904 S	7/2001	Orozco		
D446,597 S	8/2001	Orozco		
D447,265 S	8/2001	Orozco		
D450,875 S	11/2001	Yang		
D453,048 S	1/2002	Orozco		
D463,604 S	9/2002	Phillips		
D483,140 S *	12/2003	Lee	D26/80
D501,058 S *	1/2005	Parres	D26/80
D501,060 S	1/2005	Lee		
D501,269 S *	1/2005	Parres	D26/80
D501,270 S *	1/2005	Lee	D26/86
D506,849 S	6/2005	Parres		
D510,452 S *	10/2005	Porter	D26/80
D511,858 S	11/2005	Porter		

D518,593 S *	4/2006	Lee	D26/86
D518,911 S *	4/2006	Lee	D26/86
D541,465 S	4/2007	Flores et al.		
7,354,171 B2	4/2008	Pazula et al.		
D595,447 S *	6/2009	Purcell	D26/85
D608,488 S *	1/2010	Miranda	D26/87
D613,896 S *	4/2010	Chandler	D26/86
D644,371 S	8/2011	Orozco		
D668,813 S *	10/2012	Orozco	D26/141

OTHER PUBLICATIONS

Olivia vanity light #10007/3 shown on p. 351 of the ELK Lighting Inc Catalog 2900. © 2009. (2 pages—includes catalog cover).*

(Continued)

Primary Examiner — Clare E Heflin

(74) *Attorney, Agent, or Firm* — Nelson Mullins Riley & Scarborough LLP

(57) **CLAIM**

The ornamental design for a light fixture, substantially as shown and described.

DESCRIPTION

FIG. 1 is a perspective view of a light fixture embodying the design of the present invention.

FIG. 2 is a front side elevational view of the light fixture illustrated in FIG. 1.

FIG. 3 is a back side elevational view of the light fixture illustrated in FIG. 1.

FIG. 4 is a top view of the light fixture illustrated in FIG. 1.

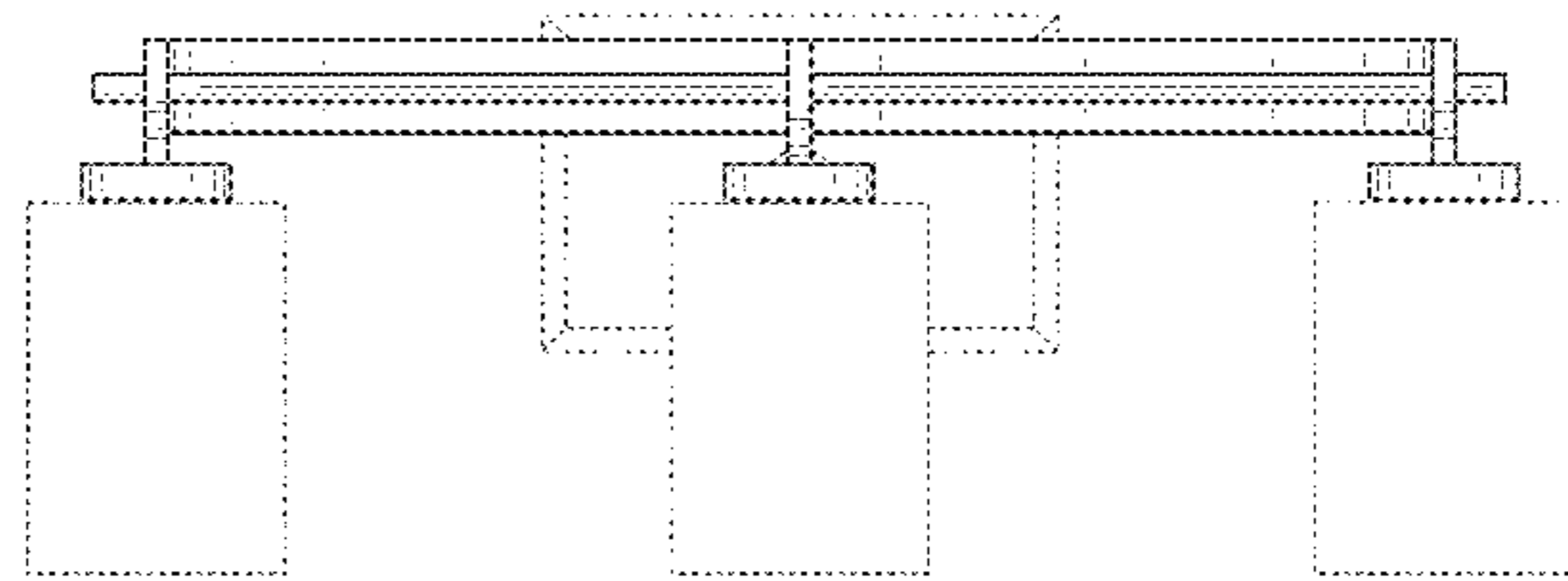
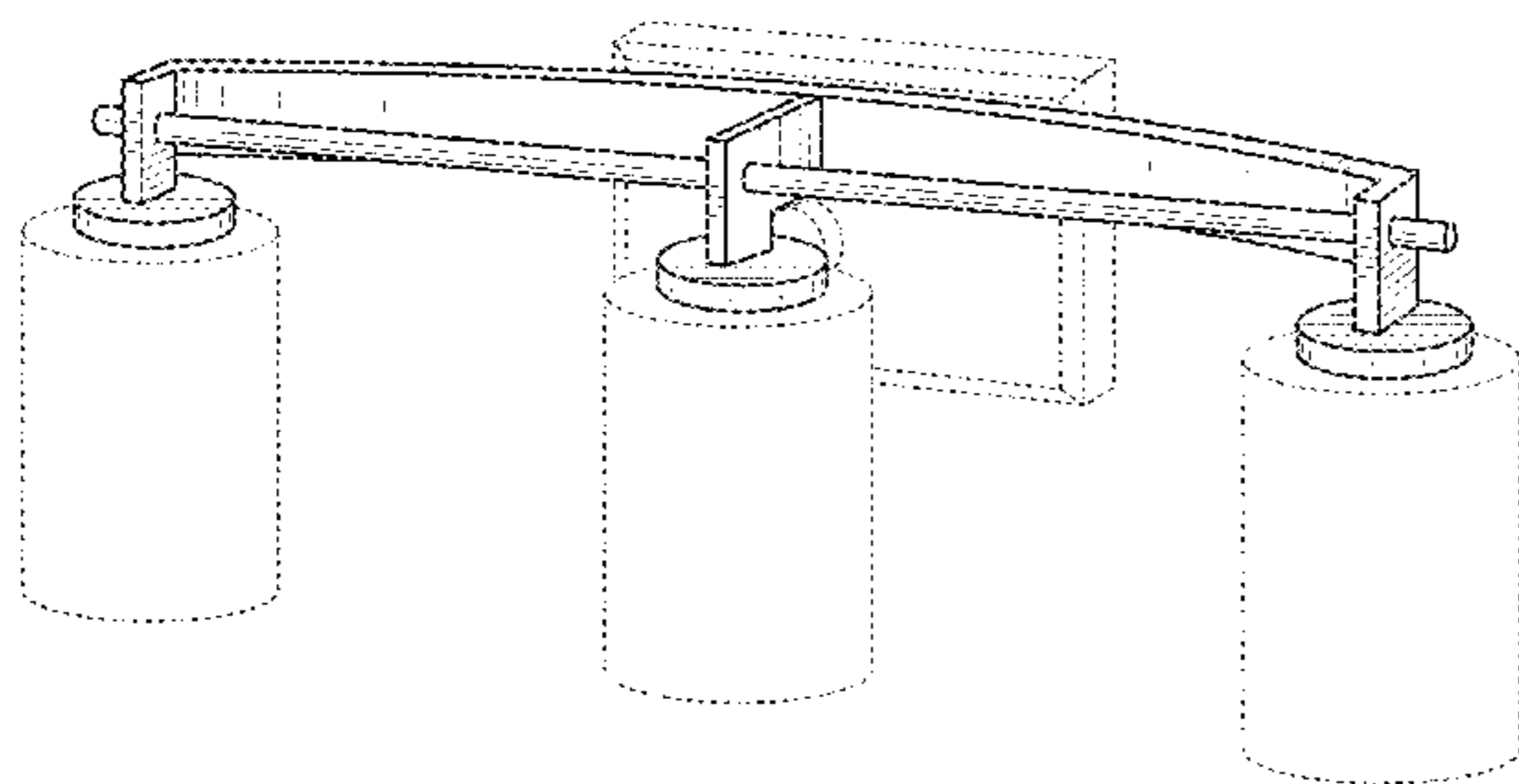
FIG. 5 is a bottom view of the light fixture illustrated in FIG. 1.

FIG. 6 is a right side elevational view of the light fixture illustrated in FIG. 1; and,

FIG. 7 is a left side elevational view of the light fixture illustrated in FIG. 1.

The portions shown in broken lines form no part of the claimed design.

1 Claim, 6 Drawing Sheets



US D686,770 S

Page 2

OTHER PUBLICATIONS

Lamberti vanity light #20003/3 shown on p. 353 of the ELK Lighting
Inc Catalog 2900. © 2009.*

Palla bath bar #45092 Pn shown on p. s324 of the Kichler 2010
General Lighting Supplemental Catalog.*

* cited by examiner

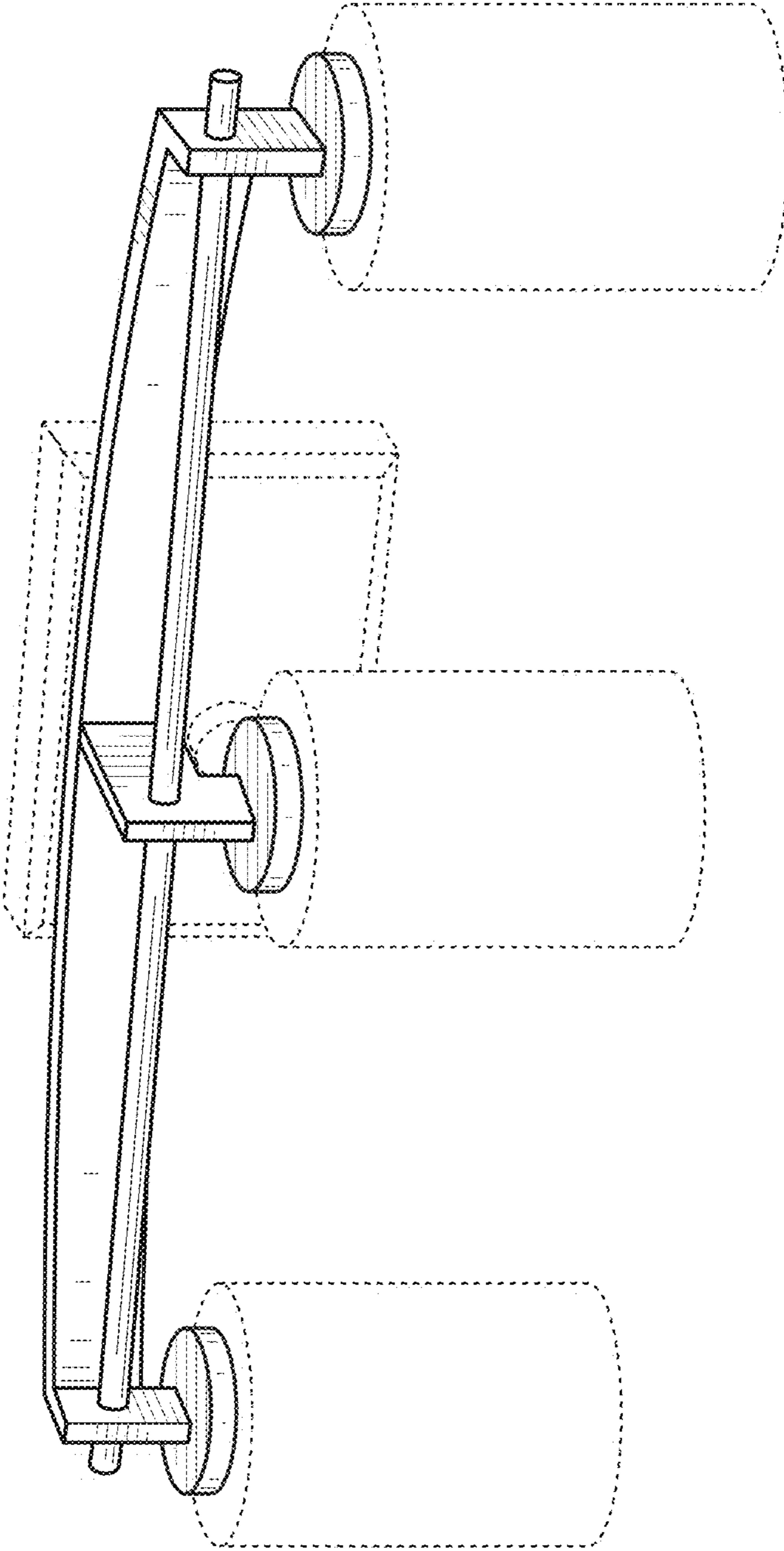


FIG. 1

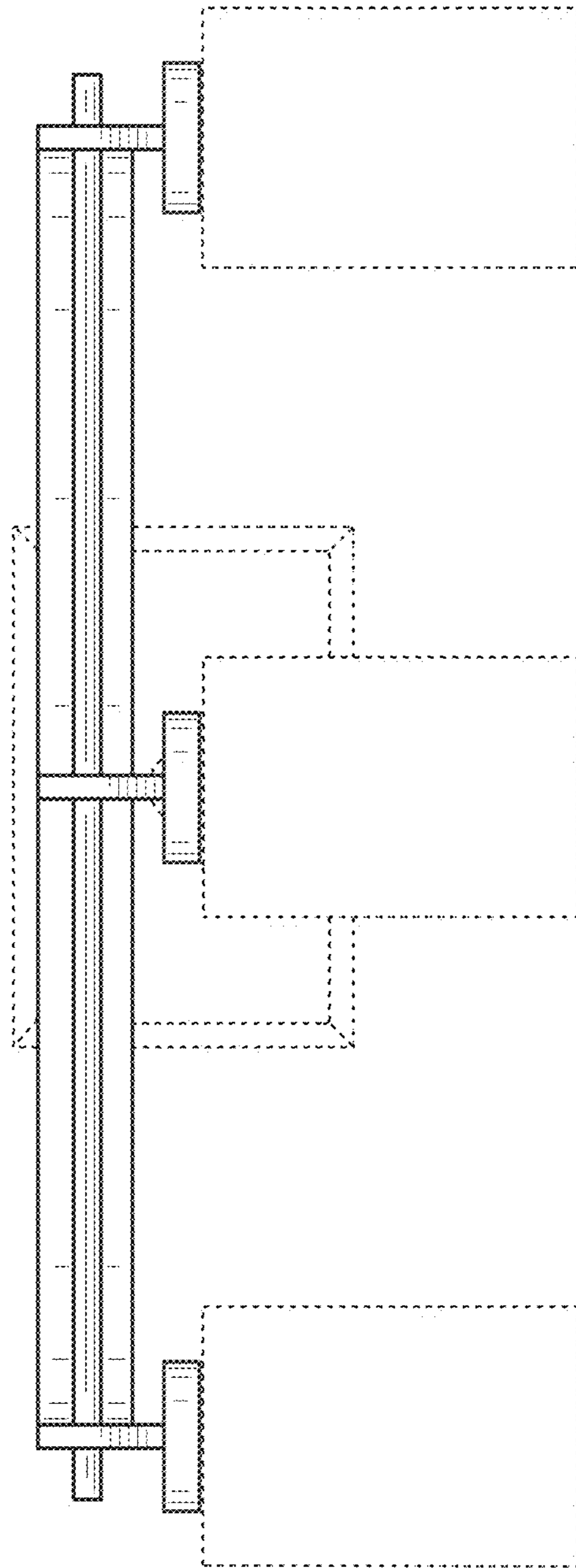


FIG. 2

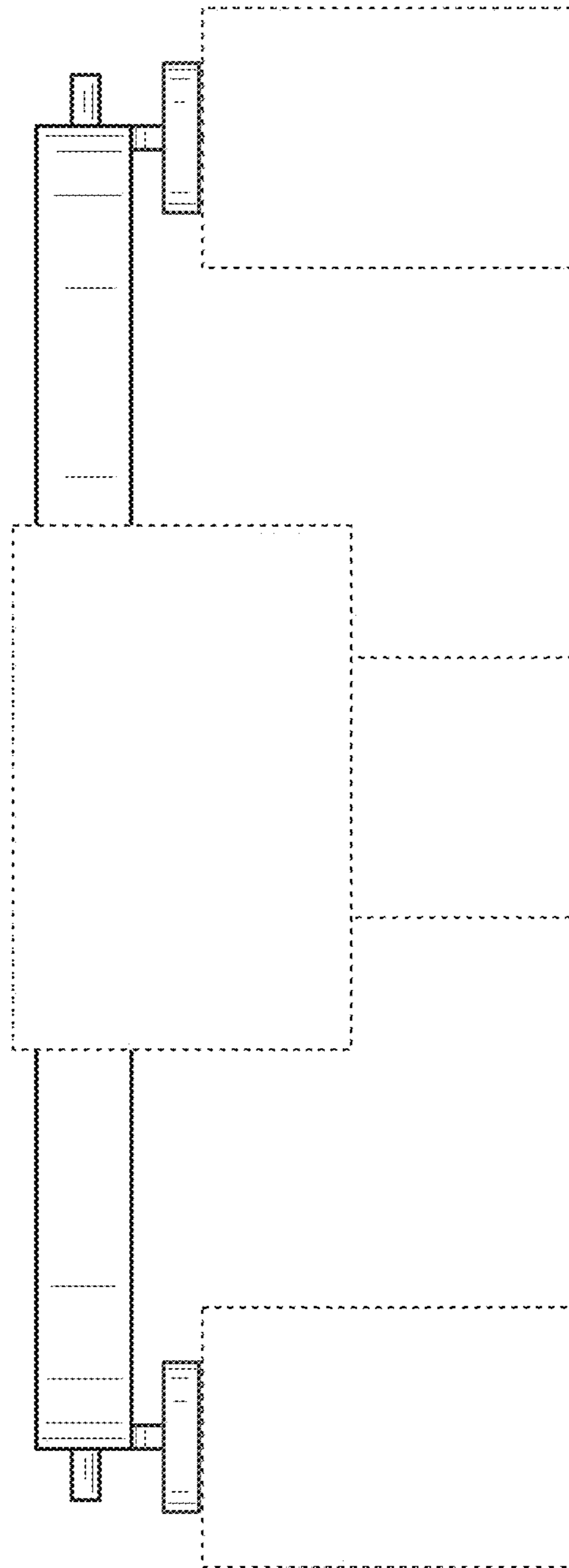


FIG. 3

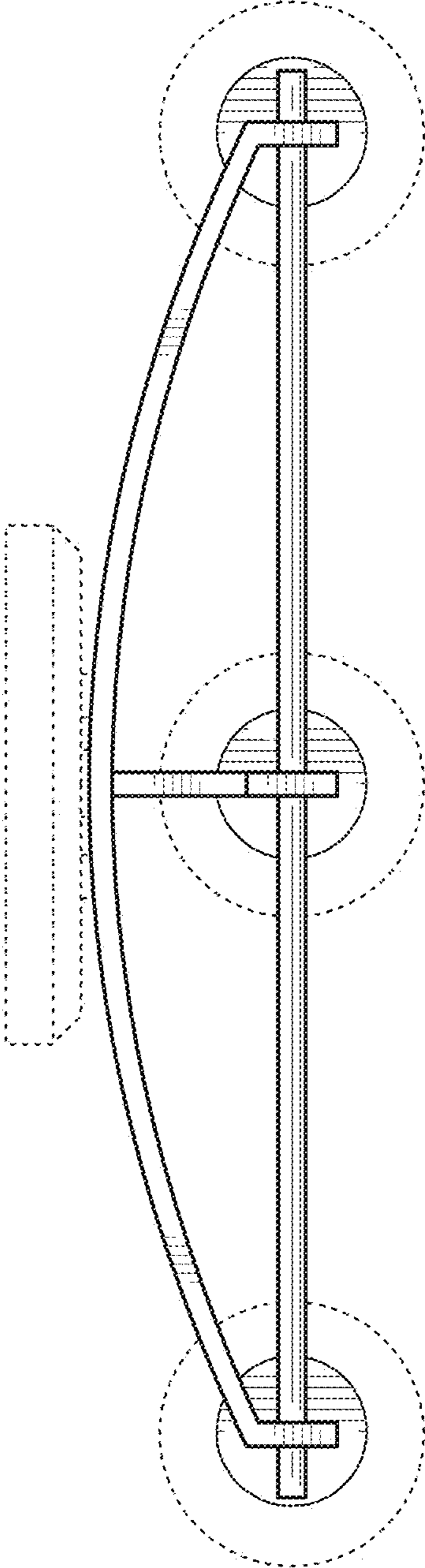


FIG. 4

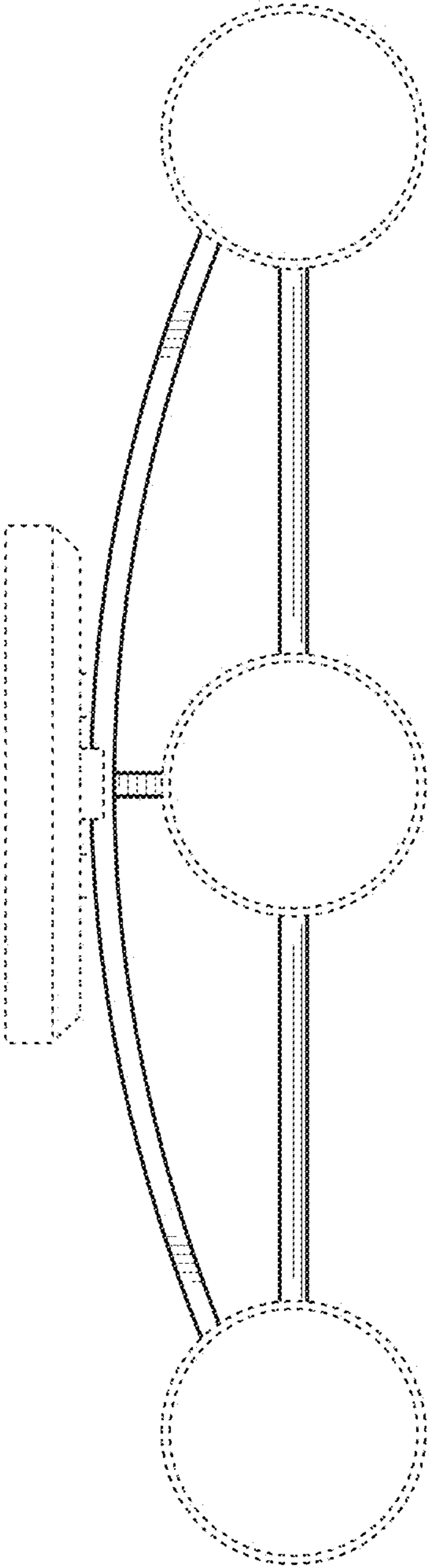


FIG. 5

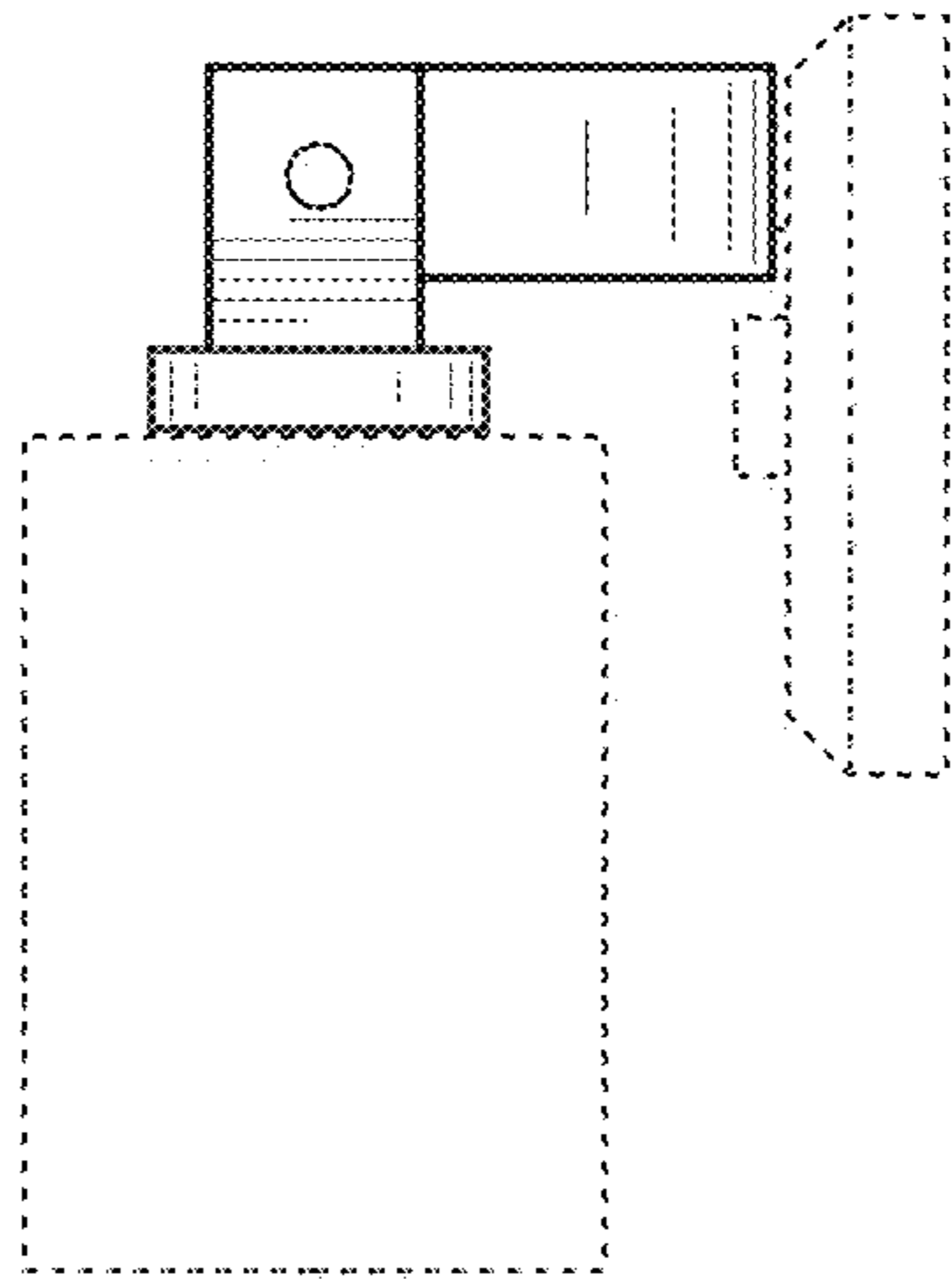


FIG. 6

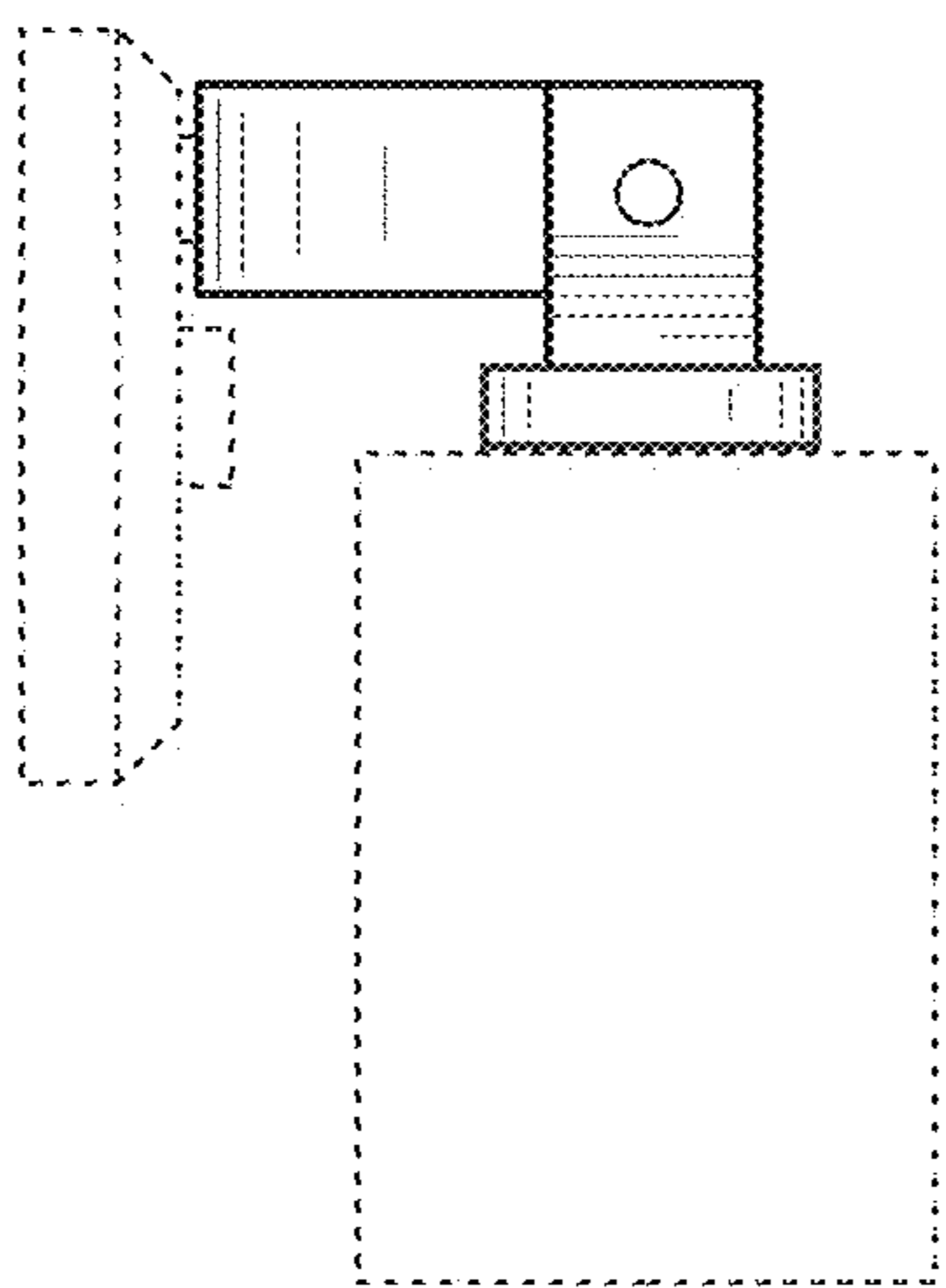


FIG. 7