



US00D686768S

(12) **United States Design Patent**
Burns

(10) **Patent No.:** **US D686,768 S**

(45) **Date of Patent:** **** Jul. 23, 2013**

(54) **HOUSING FOR LIGHT**

(71) Applicant: **Lightforce Australia Pty Ltd.,**
Hindmarsh (AU)

(72) Inventor: **Desmond Hugh Burns,** Hove (AU)

(73) Assignee: **Lightforce Australia Pty Ltd.,** Hove
(AU)

(**) Term: **14 Years**

(21) Appl. No.: **29/438,159**

(22) Filed: **Nov. 27, 2012**

(51) **LOC (9) Cl.** **26-05**

(52) **U.S. Cl.**
USPC **D26/60**

(58) **Field of Classification Search**
USPC D26/60, 61, 63-66, 118, 37-50; 362/98,
362/99, 190, 191, 198, 267, 285, 418, 396,
362/157, 257

See application file for complete search history.

(56) **References Cited**

U.S. PATENT DOCUMENTS

D109,509 S * 5/1938 Arenberg D26/60
D111,577 S * 10/1938 Arenberg D26/60
D258,010 S * 1/1981 Bowls et al. D26/63

5,448,459 A * 9/1995 Rogers 362/191
D379,543 S * 5/1997 Lin D26/63
D383,236 S * 9/1997 Krogman D26/63
D427,696 S * 7/2000 Scott et al. D26/28
D648,056 S * 11/2011 Muehlhaeusler et al. D26/63

* cited by examiner

Primary Examiner — Susan M Lee

Assistant Examiner — Linda G Brooks

(74) *Attorney, Agent, or Firm* — Wood, Herron & Evans,
LLP

(57) **CLAIM**

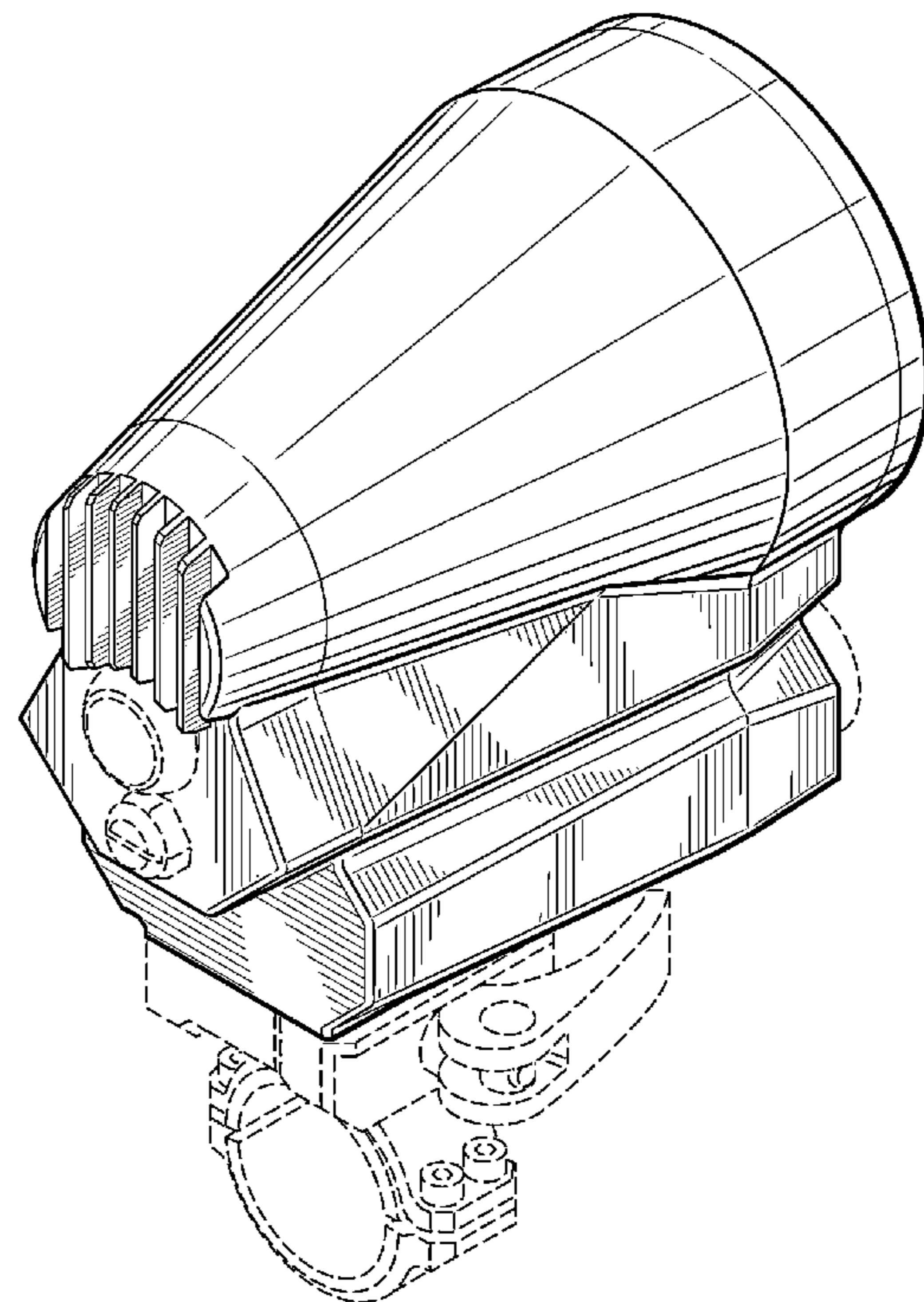
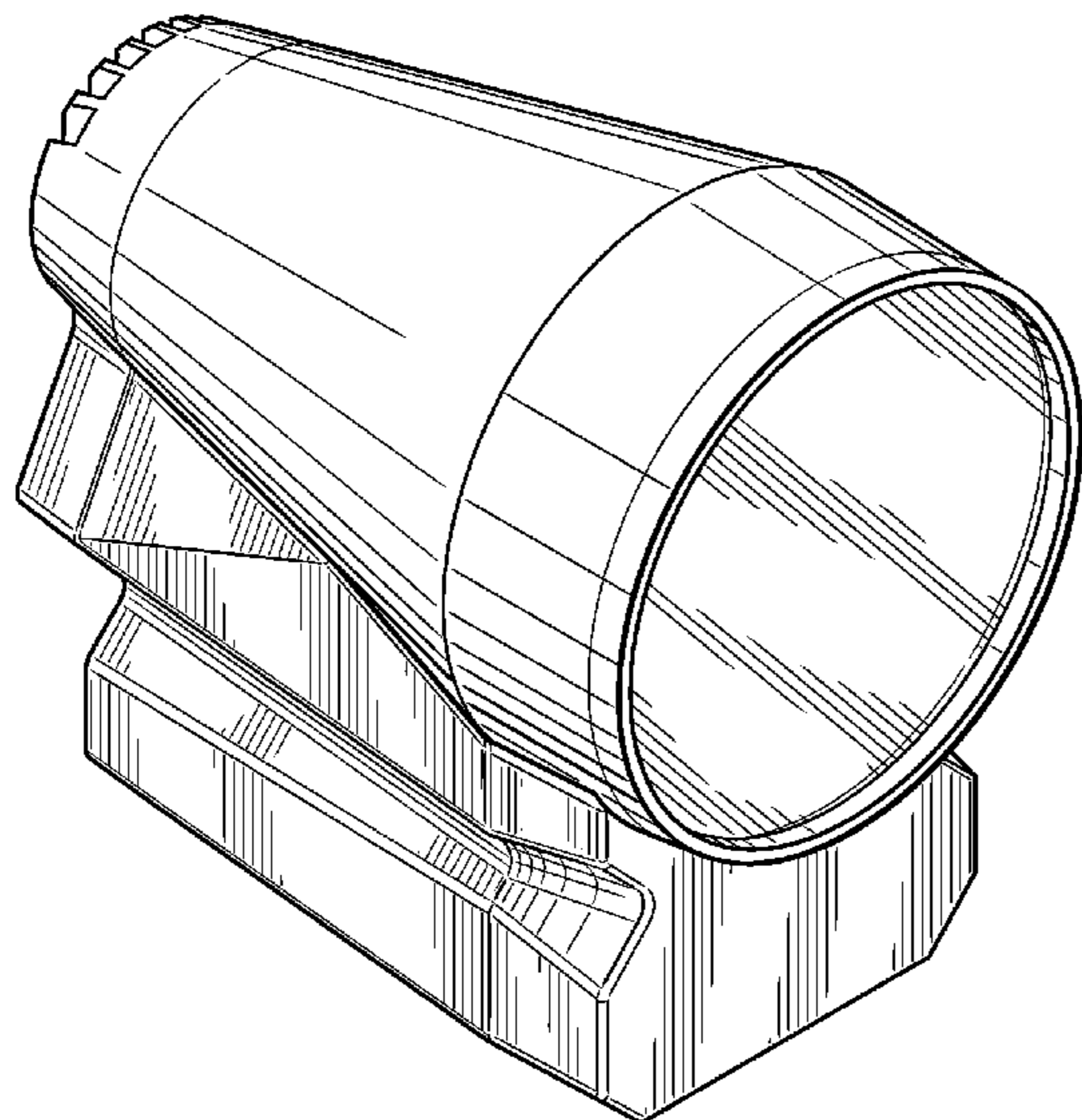
The ornamental design for a housing for light, as shown and described.

DESCRIPTION

FIG. 1 is a front isometric view of the housing for light;
FIG. 2 is a rear isometric view;
FIG. 3 is a front elevational view;
FIG. 4 is a right side elevational view (the left side being a mirror image thereof);
FIG. 5 is a rear elevational view;
FIG. 6 is a top plan view; and,
FIG. 7 is a bottom view.

The features of the housing for light shown in broken lines are for illustrative purposes only and form no part of the claimed design.

1 Claim, 3 Drawing Sheets



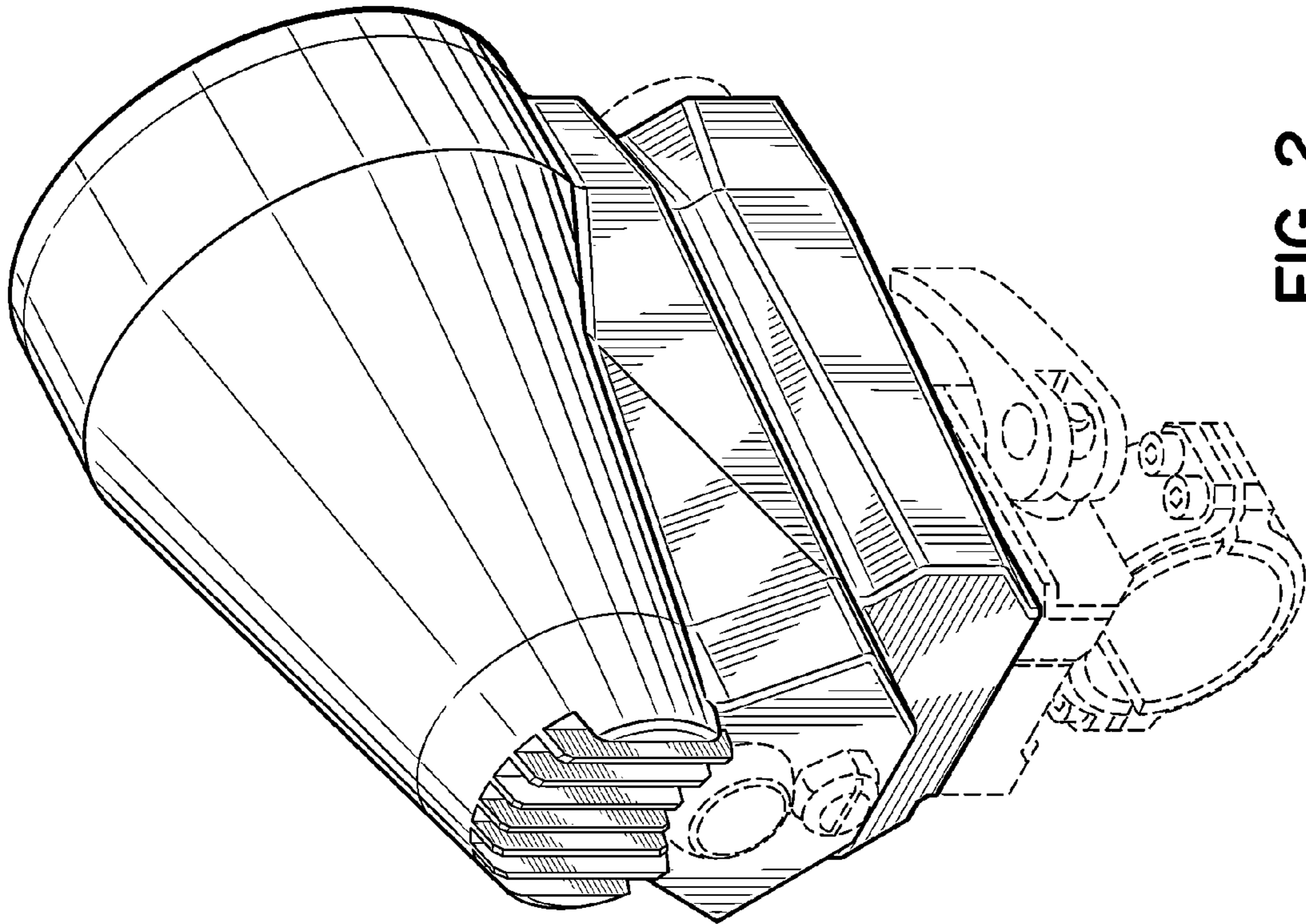


FIG. 2

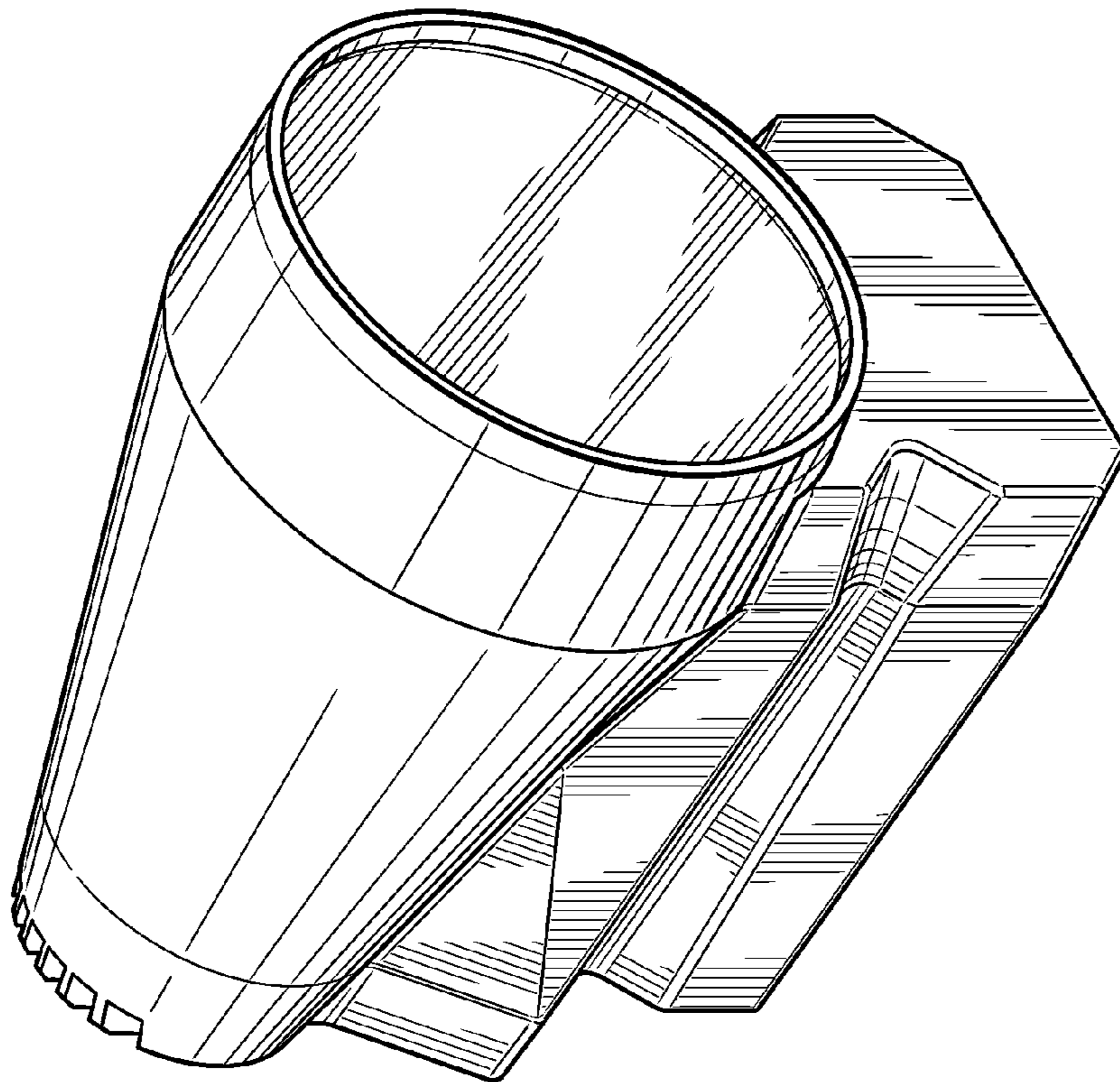


FIG. 1

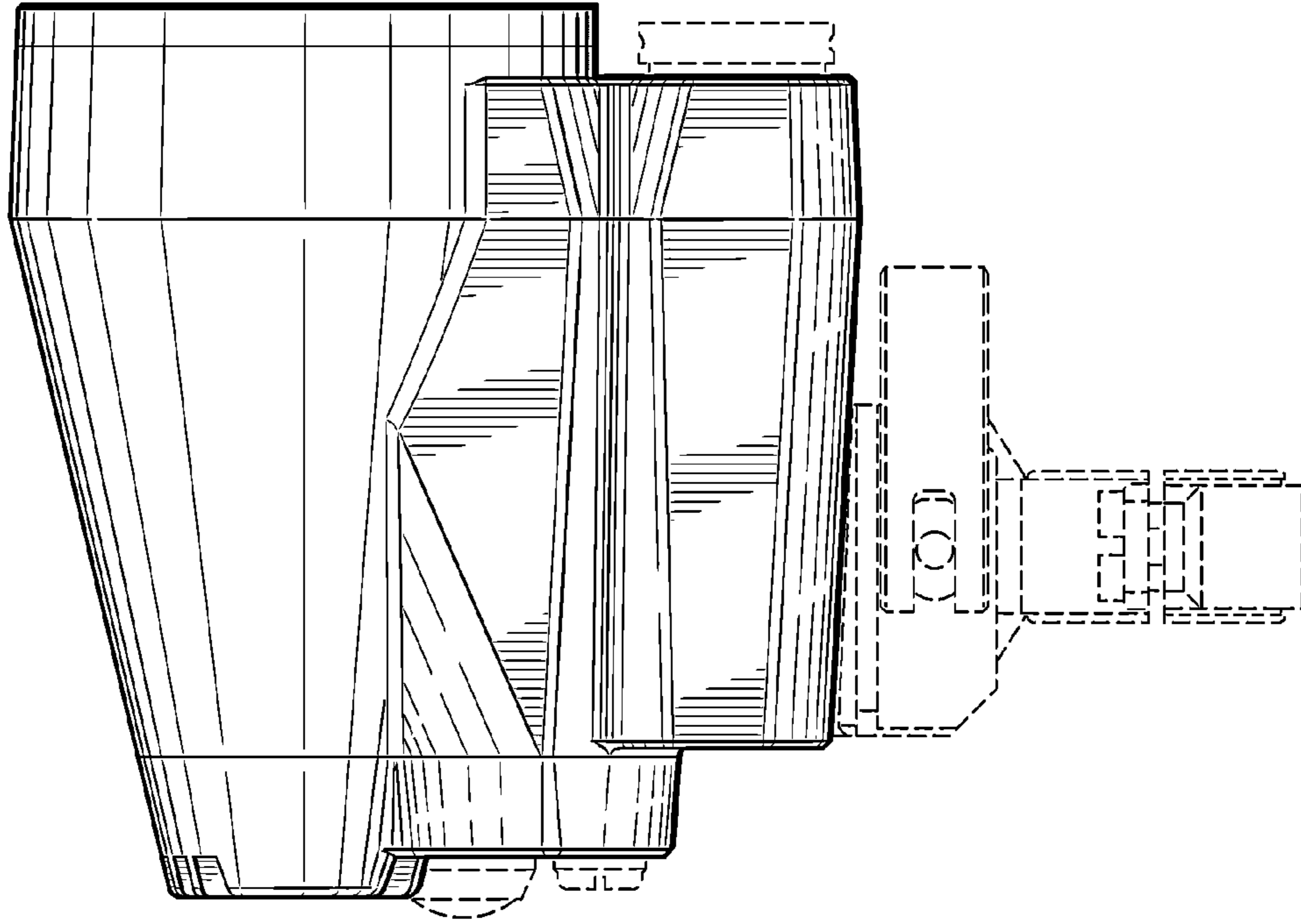


FIG. 4

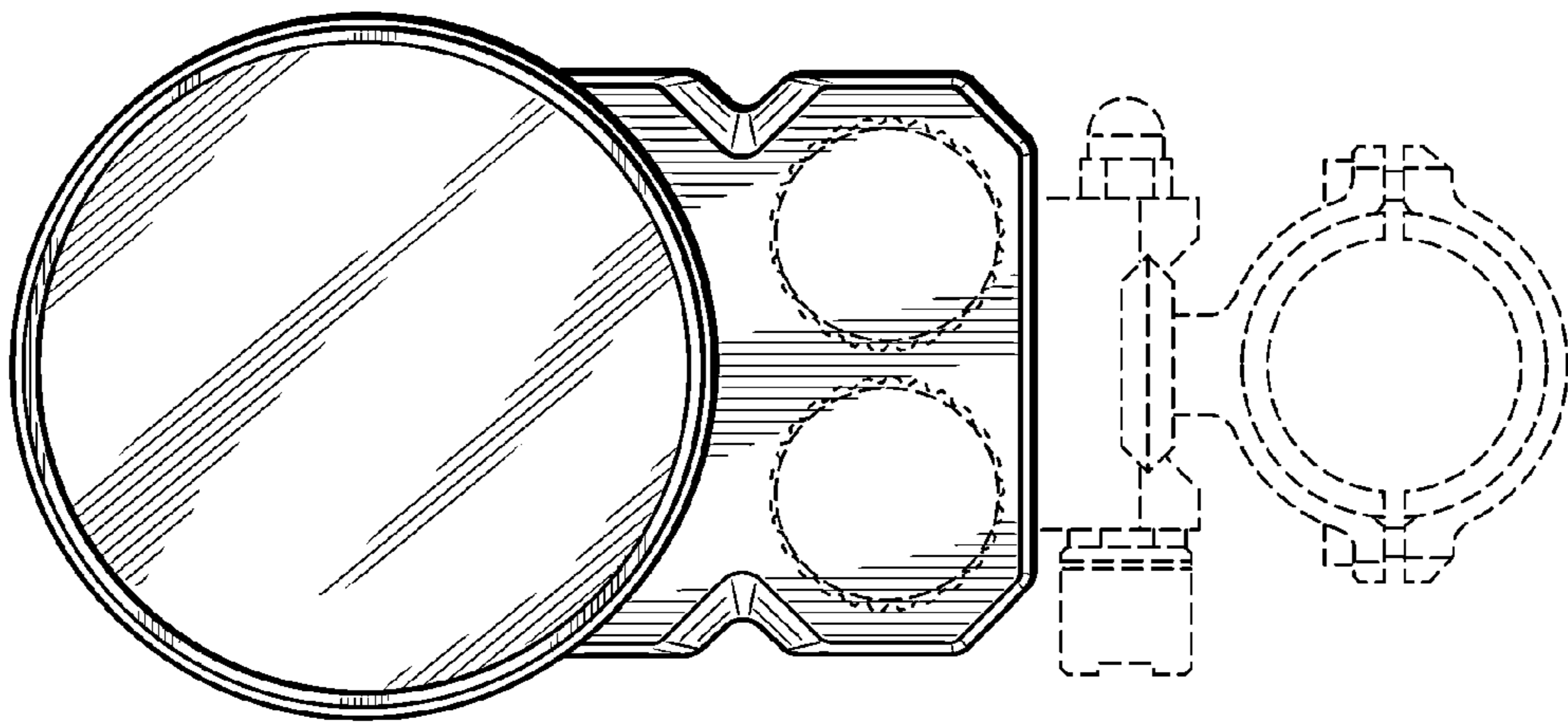


FIG. 3

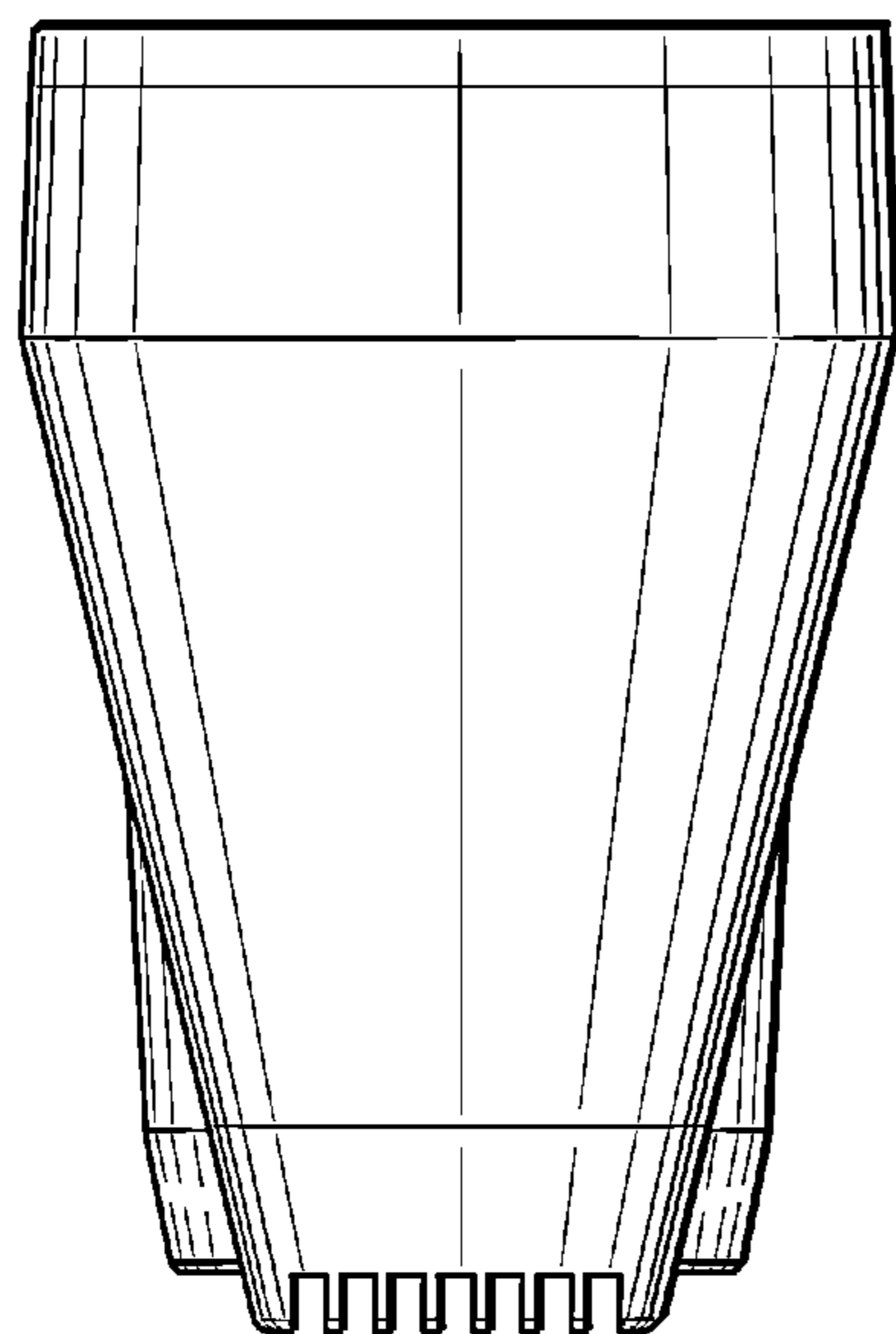


FIG. 6

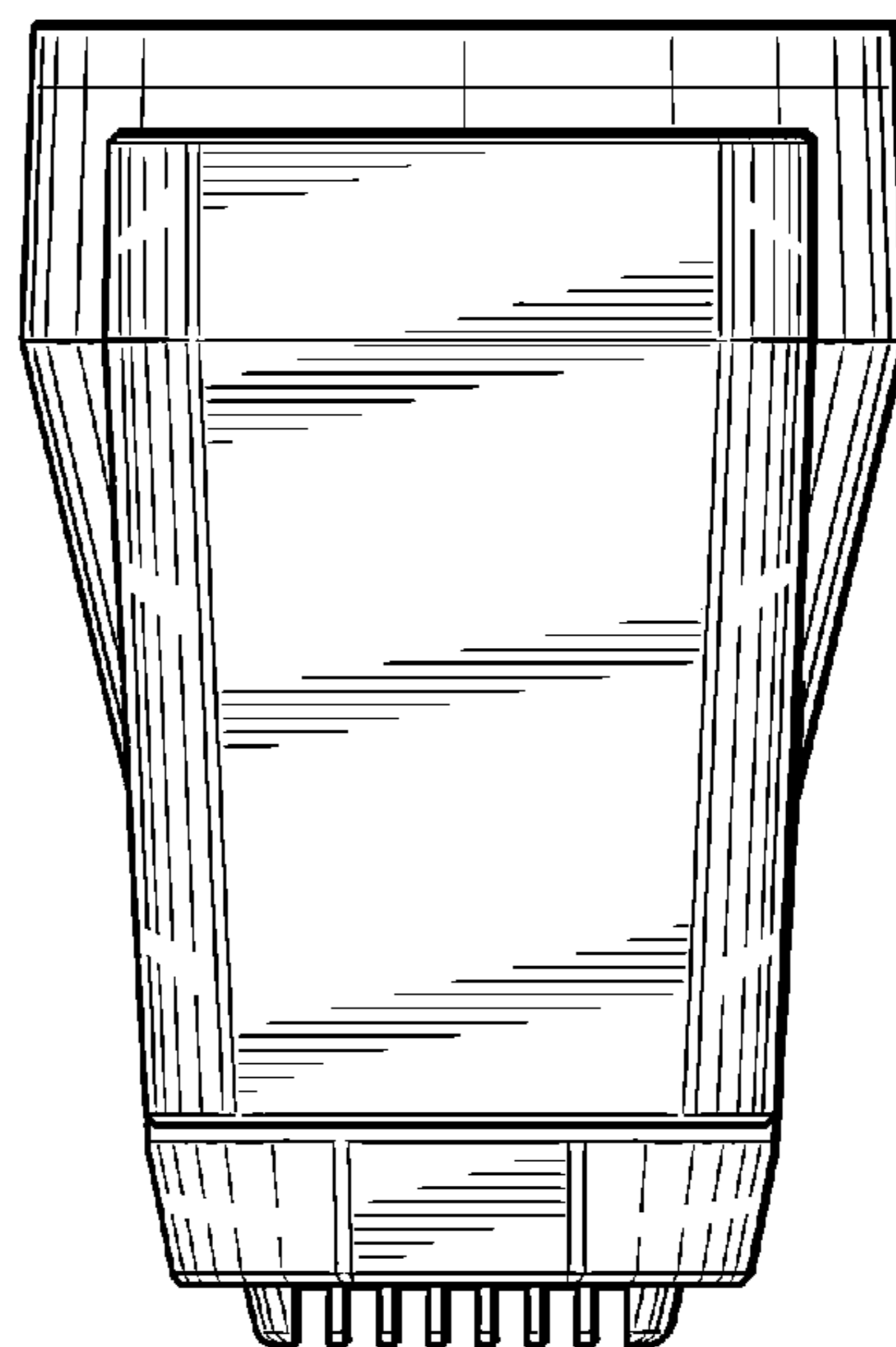


FIG. 7

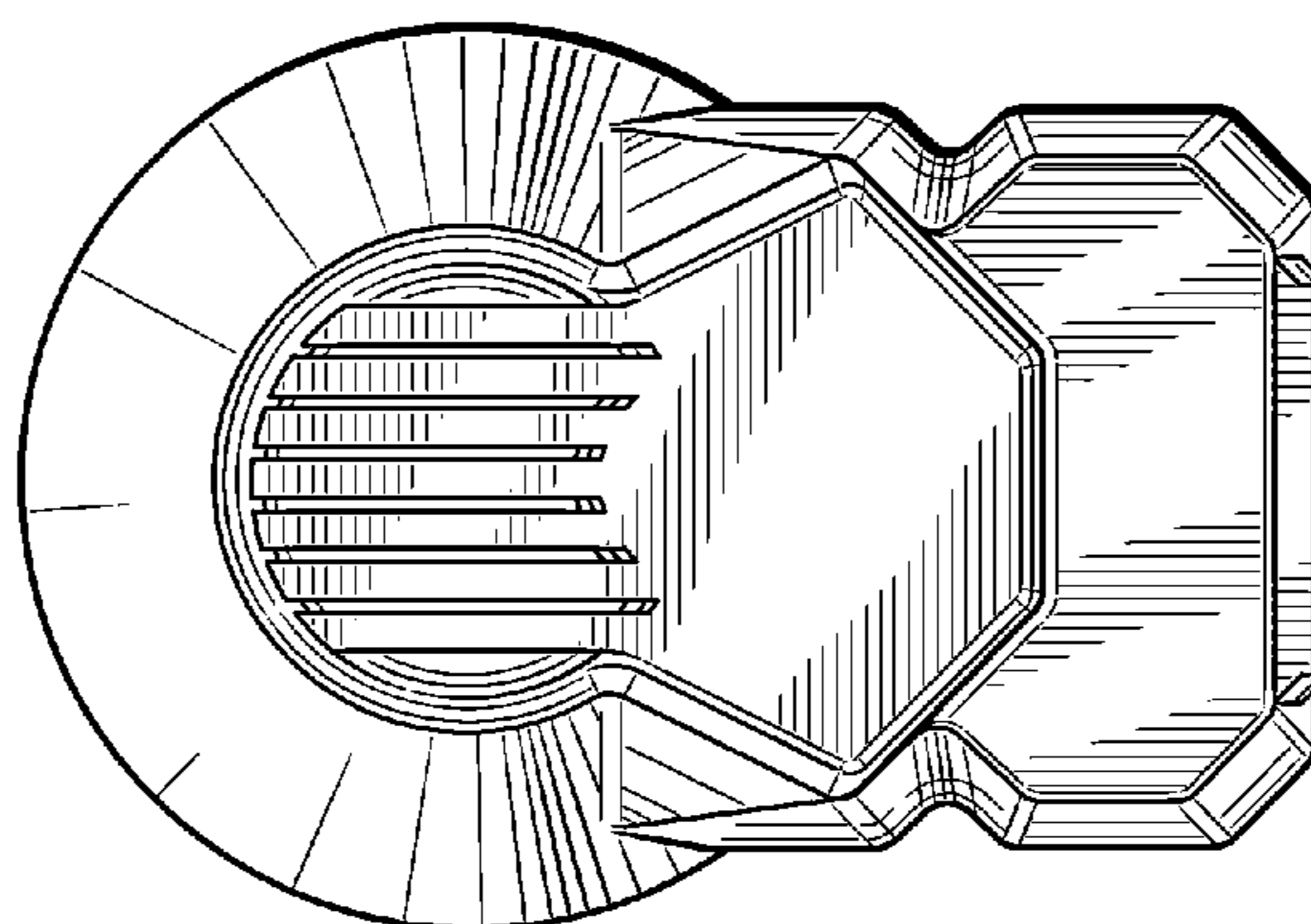


FIG. 5