



US00D686763S

(12) **United States Design Patent**
Song

(10) **Patent No.:** **US D686,763 S**
(45) **Date of Patent:** **** Jul. 23, 2013**

(54) **LED LIGHT FIXTURE**
(71) Applicant: **Posco Led Company Ltd.**, Seongnam
(KR)

D538,953 S * 3/2007 Mama D26/2
D541,440 S * 4/2007 Feit D26/2
D553,267 S * 10/2007 Yuen D26/2
D600,367 S 9/2009 Bertram et al.
D613,887 S 4/2010 Lee et al.

(72) Inventor: **Tae Hoon Song**, Seongnam (KR)
(73) Assignee: **Posco LED Company Ltd.**, Seongnam
(KR)

OTHER PUBLICATIONS

Notice of Allowance issued to U.S. Appl. No. 29/433,862 dated May 10, 2013.

(**) Term: **14 Years**
(21) Appl. No.: **29/441,988**
(22) Filed: **Jan. 11, 2013**

* cited by examiner

Primary Examiner — Marcus Jackson
(74) *Attorney, Agent, or Firm* — H.C. Park & Associates, PLC

Related U.S. Application Data

(63) Continuation of application No. 29/433,862, filed on Oct. 5, 2012.

(57) **CLAIM**

The ornamental design for a LED light fixture, as shown and described.

(30) **Foreign Application Priority Data**

Jul. 20, 2012 (KR) 30-2012-0035401

(51) **LOC (9) Cl.** **26-04**
(52) **U.S. Cl.**
USPC **D26/2**

(58) **Field of Classification Search**
USPC D26/1-4; 313/313, 315, 316, 317,
313/318, 493; 315/52, 53, 56, 57, 58
See application file for complete search history.

DESCRIPTION

FIG. 1 is a perspective view of the LED light fixture.
FIG. 2 is a front view of the LED light fixture.
FIG. 3 is a rear view of the LED light fixture.
FIG. 4 is a left side view of the LED light fixture.
FIG. 5 is a right side view of the LED light fixture.
FIG. 6 is a top plan view of the LED light fixture.
FIG. 7 is a bottom plan view of the LED light fixture; and,
FIG. 8 is a reference view of the LED light fixture in which two heat sinking fins are separated from the body of the lamp in order to show clearly an interior configuration shape of heat sinking fins.

(56) **References Cited**

U.S. PATENT DOCUMENTS

D508,575 S * 8/2005 Buschmann et al. D26/2
D528,227 S * 9/2006 Chou et al. D26/2
D531,741 S * 11/2006 Takahashi D26/2
D534,665 S * 1/2007 Egawa et al. D26/2
D538,950 S 3/2007 Maxik

The broken lines are directed to environment and are for illustrative purposes only. Thus, the broken lines form no part of the claimed design.

1 Claim, 5 Drawing Sheets

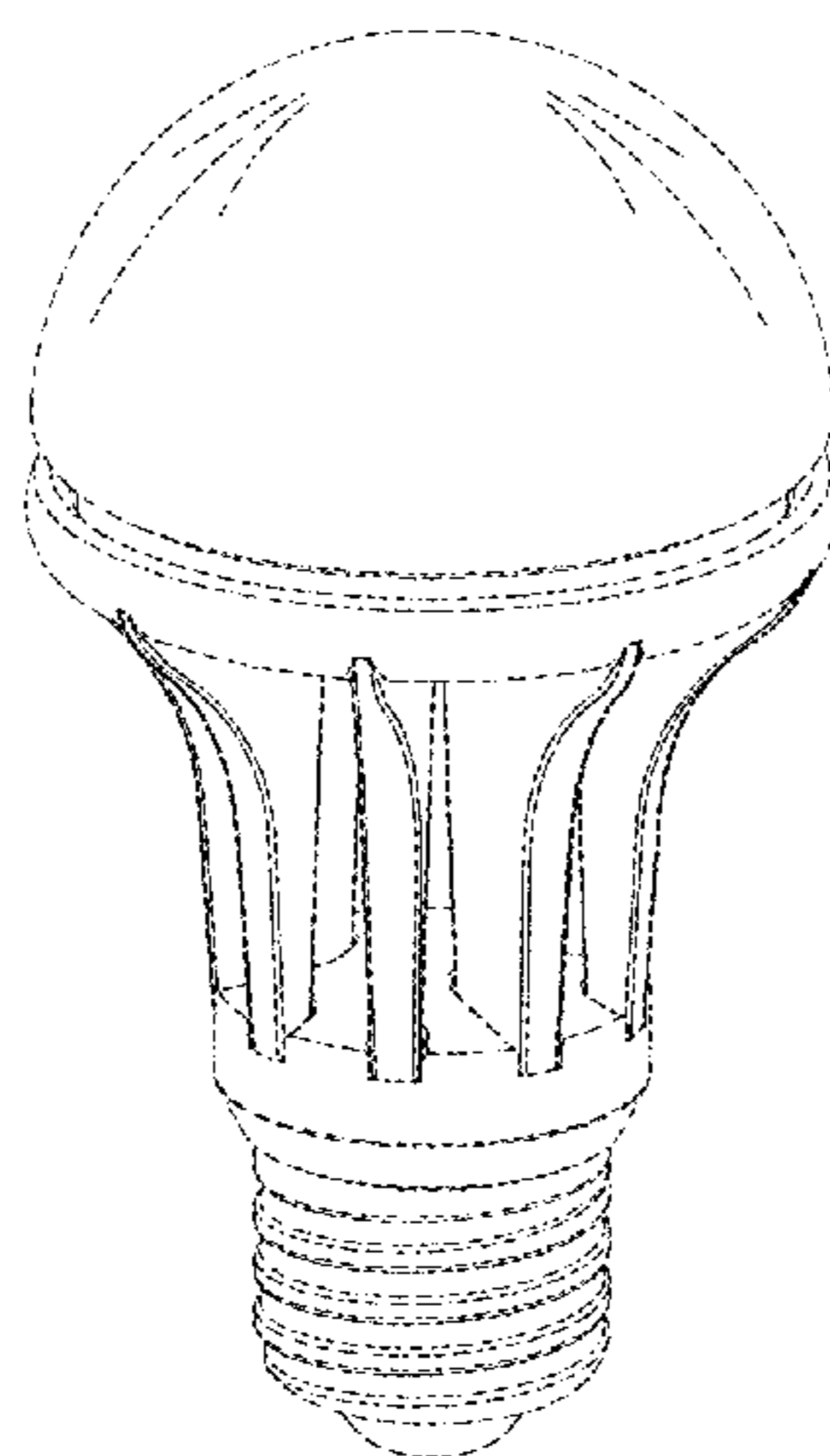


FIG. 1

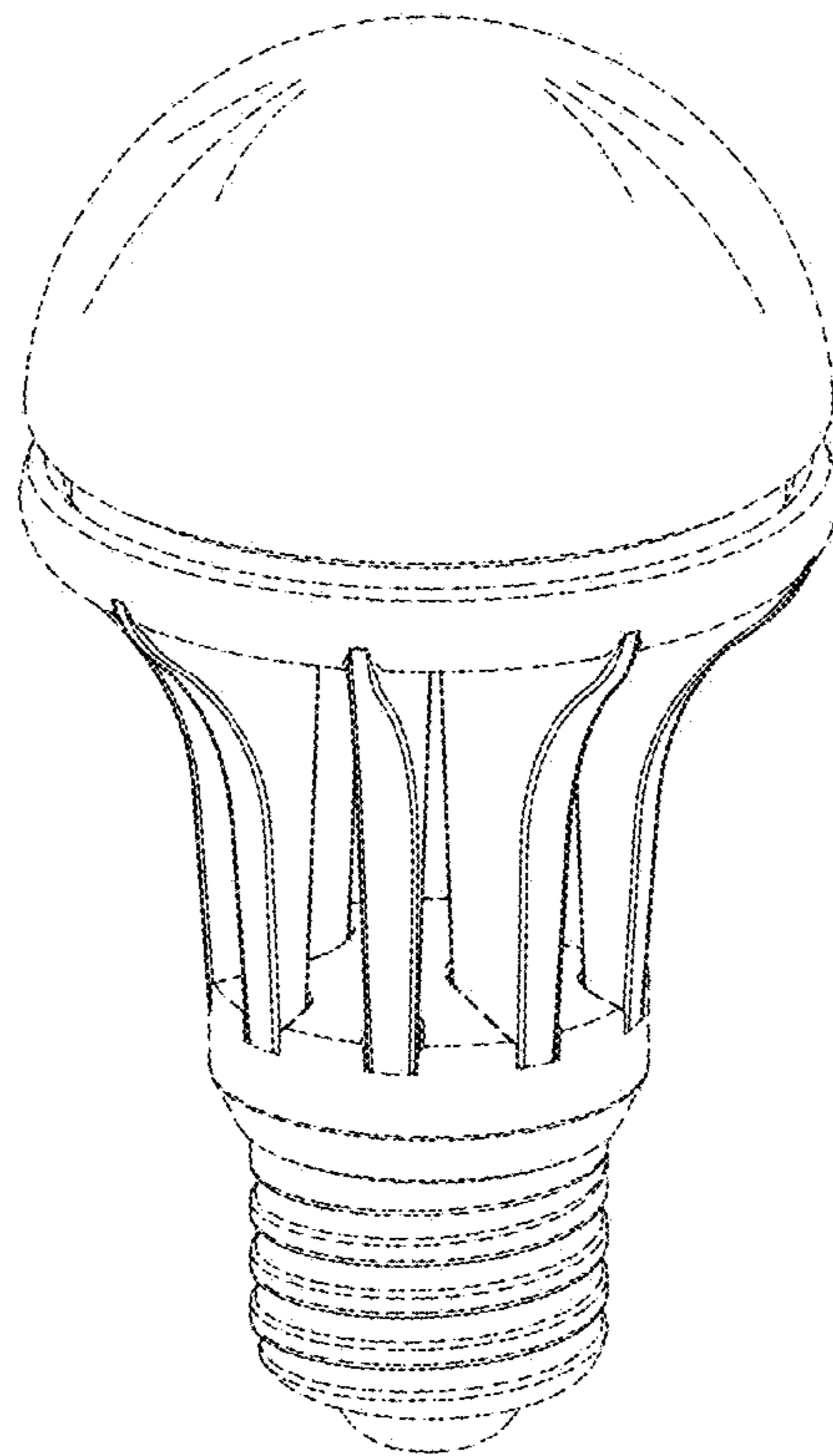


FIG. 2

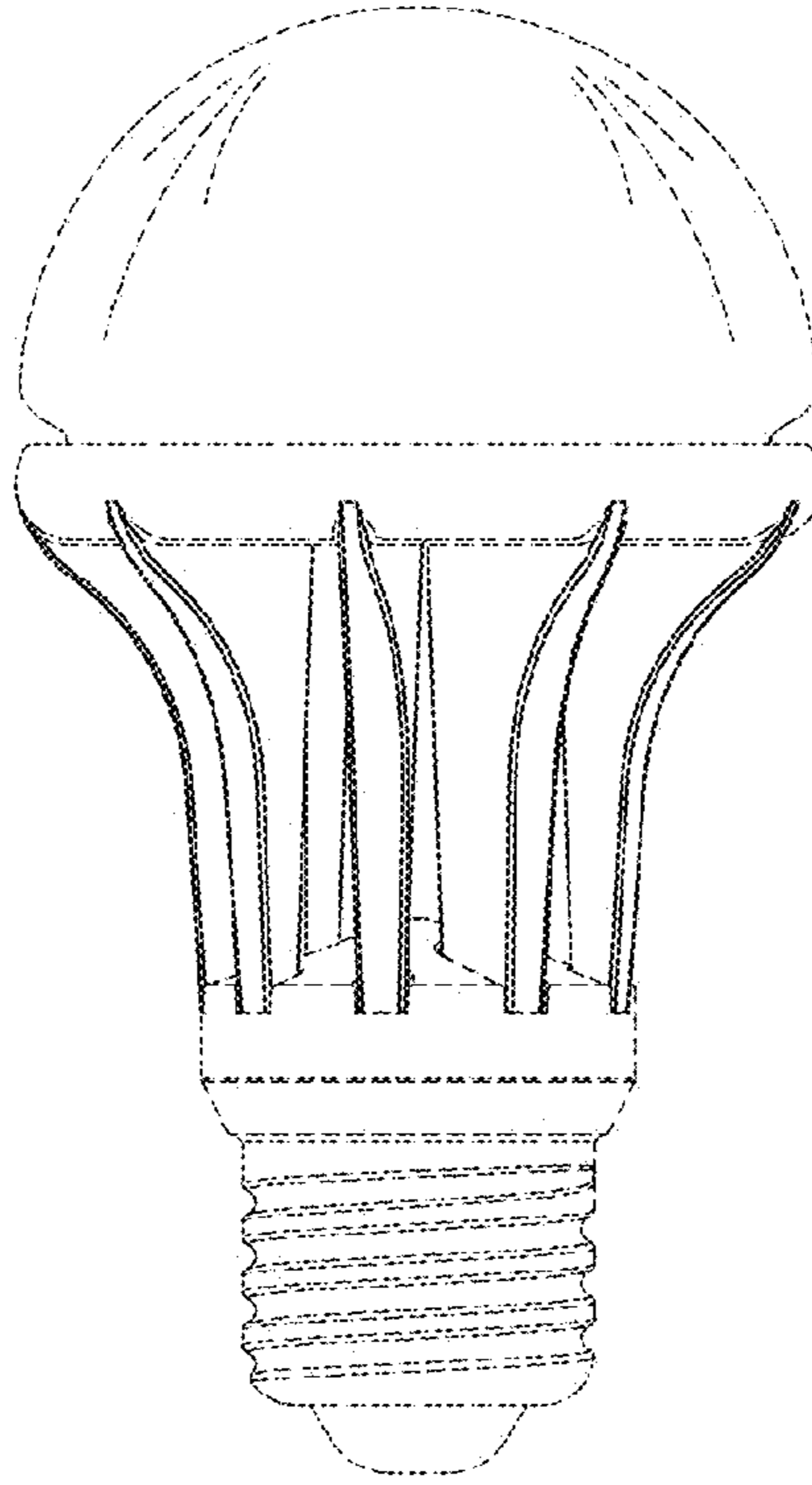


FIG. 3

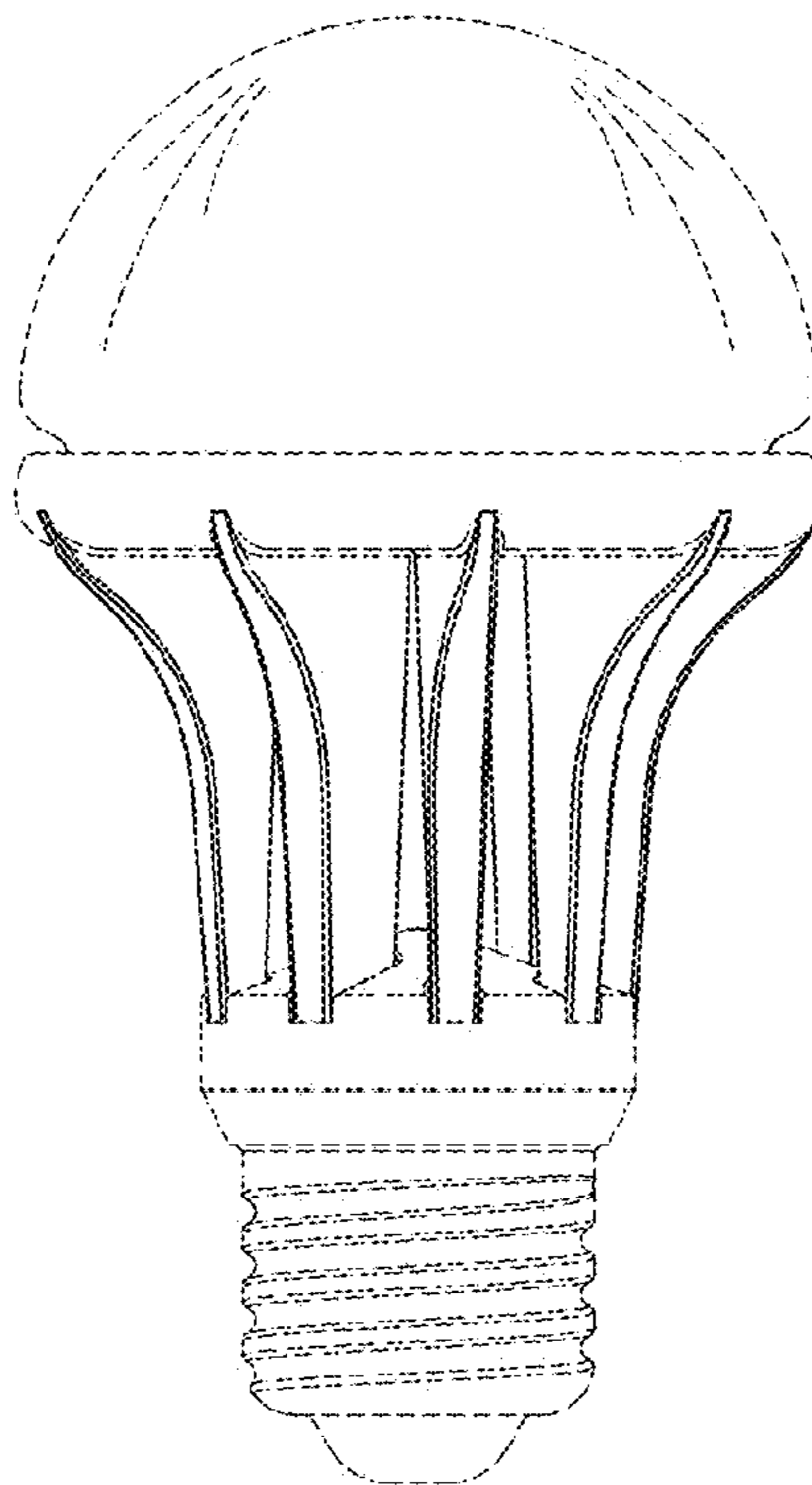


FIG. 4

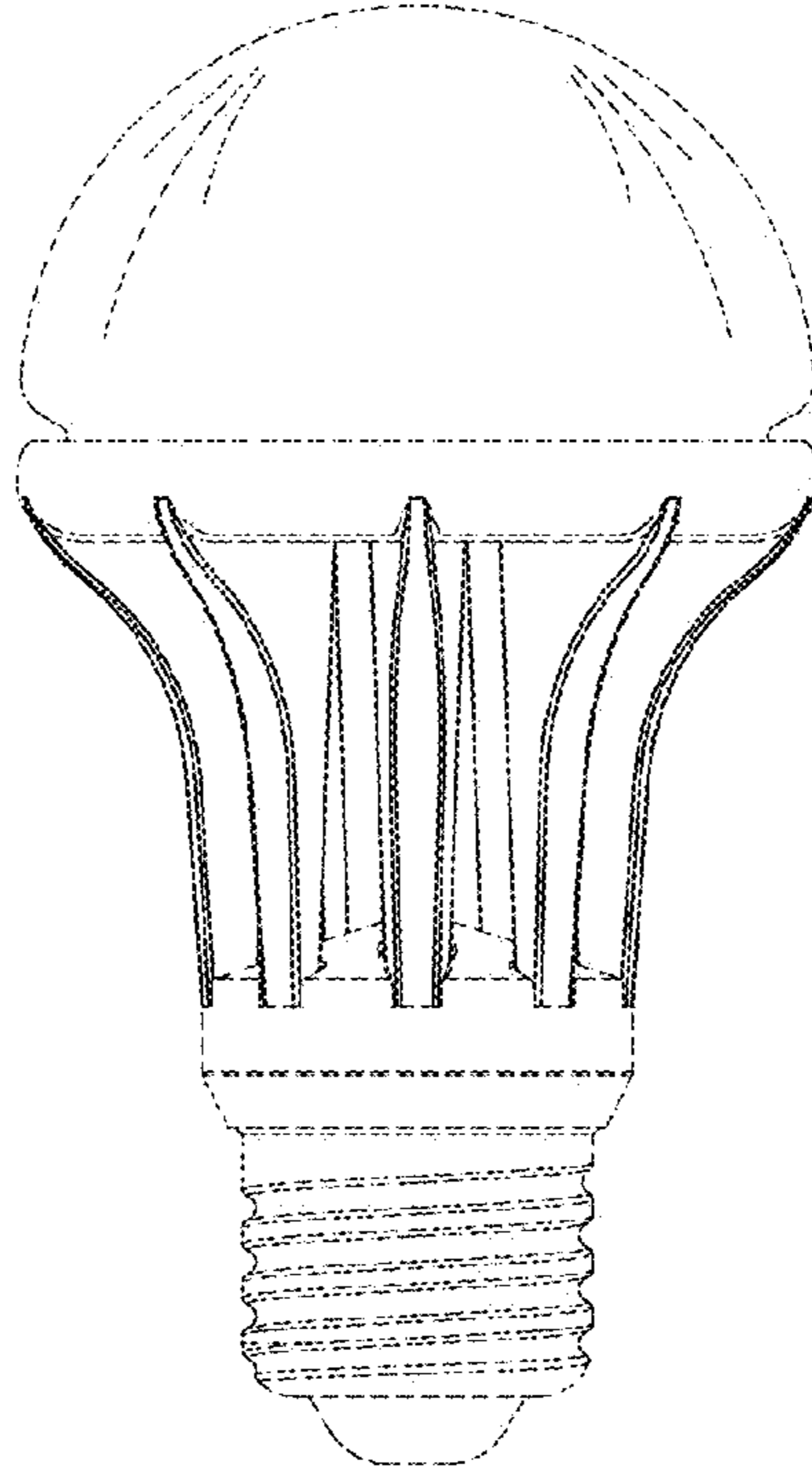


FIG. 5

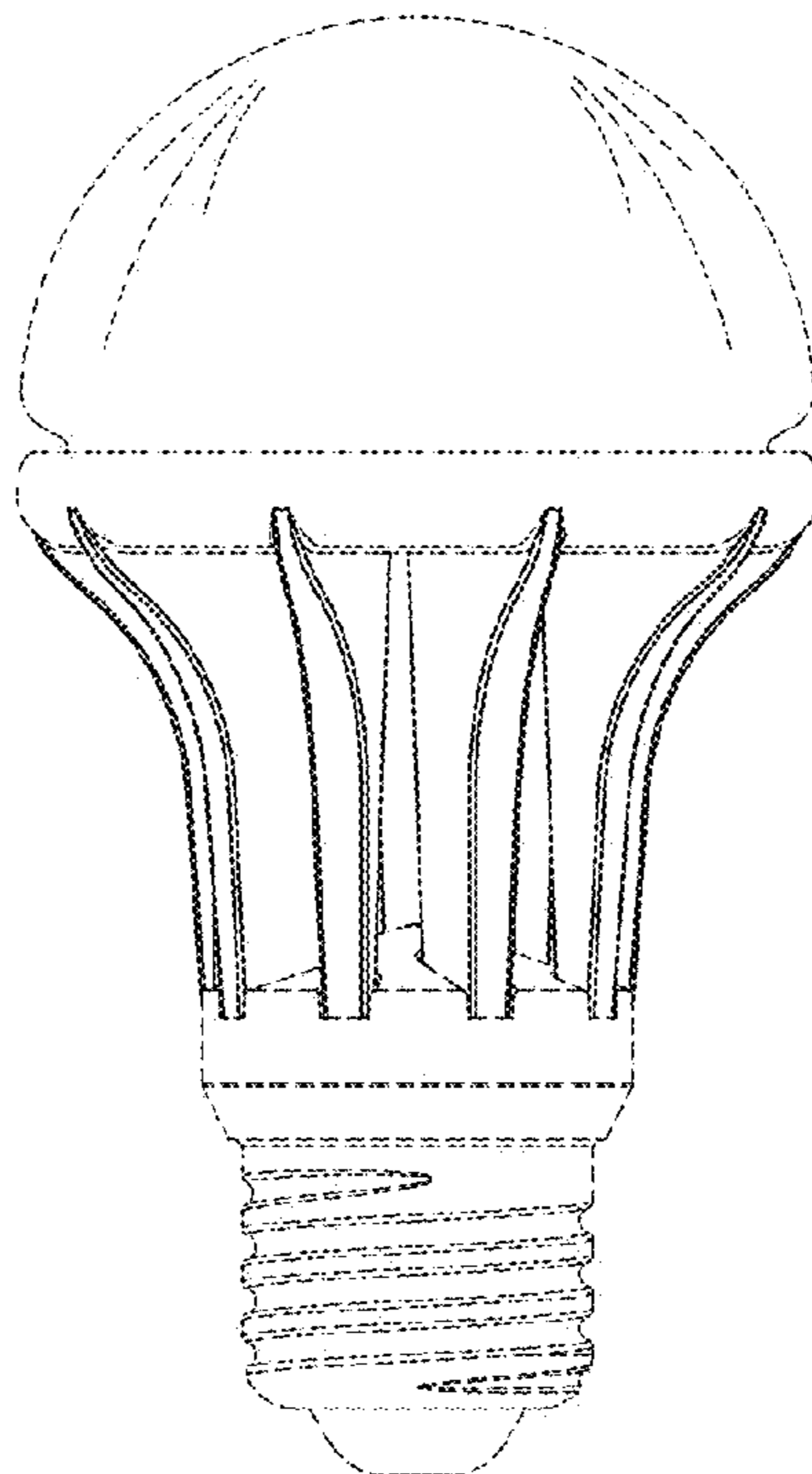


FIG. 6

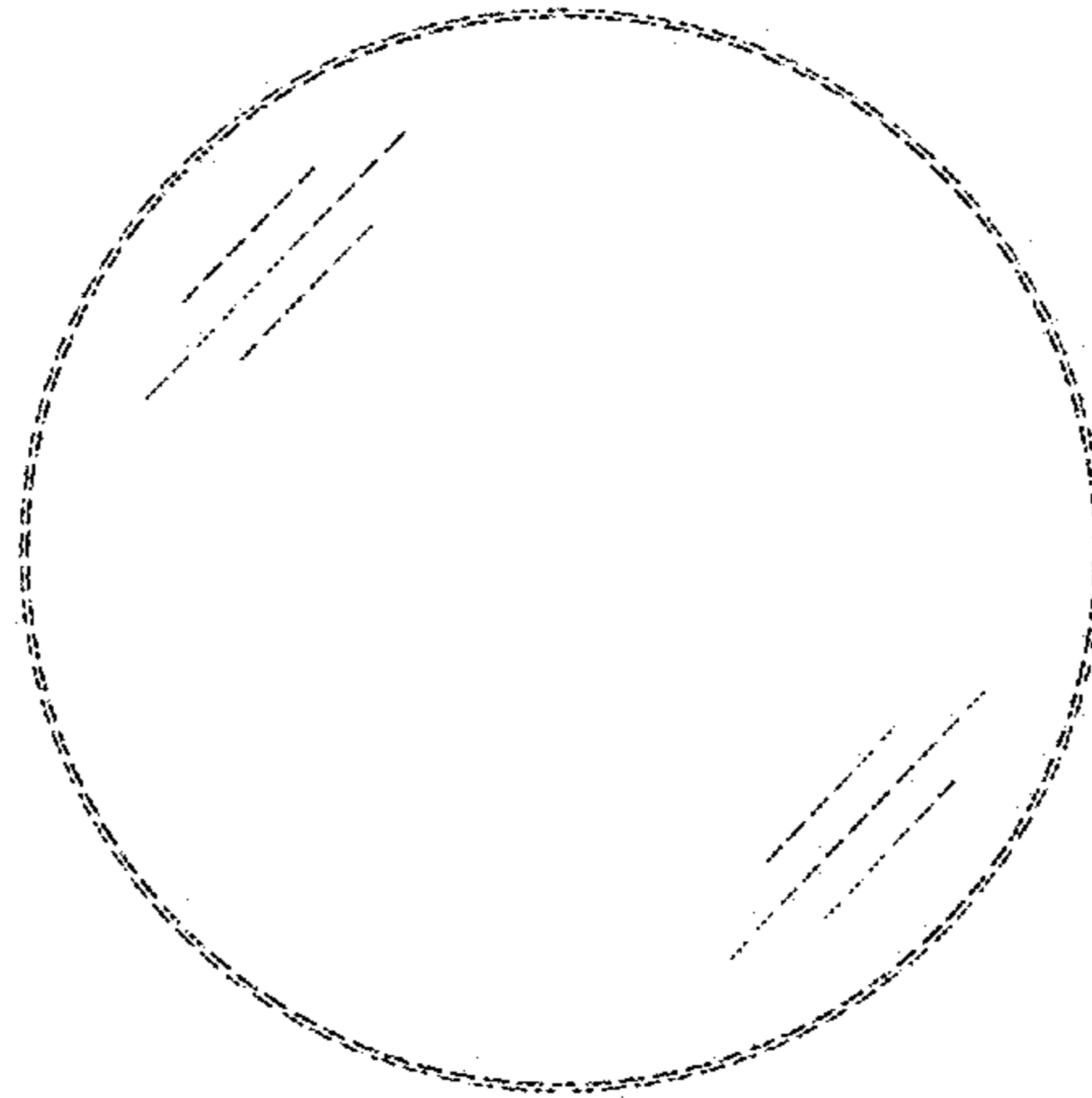


FIG. 7

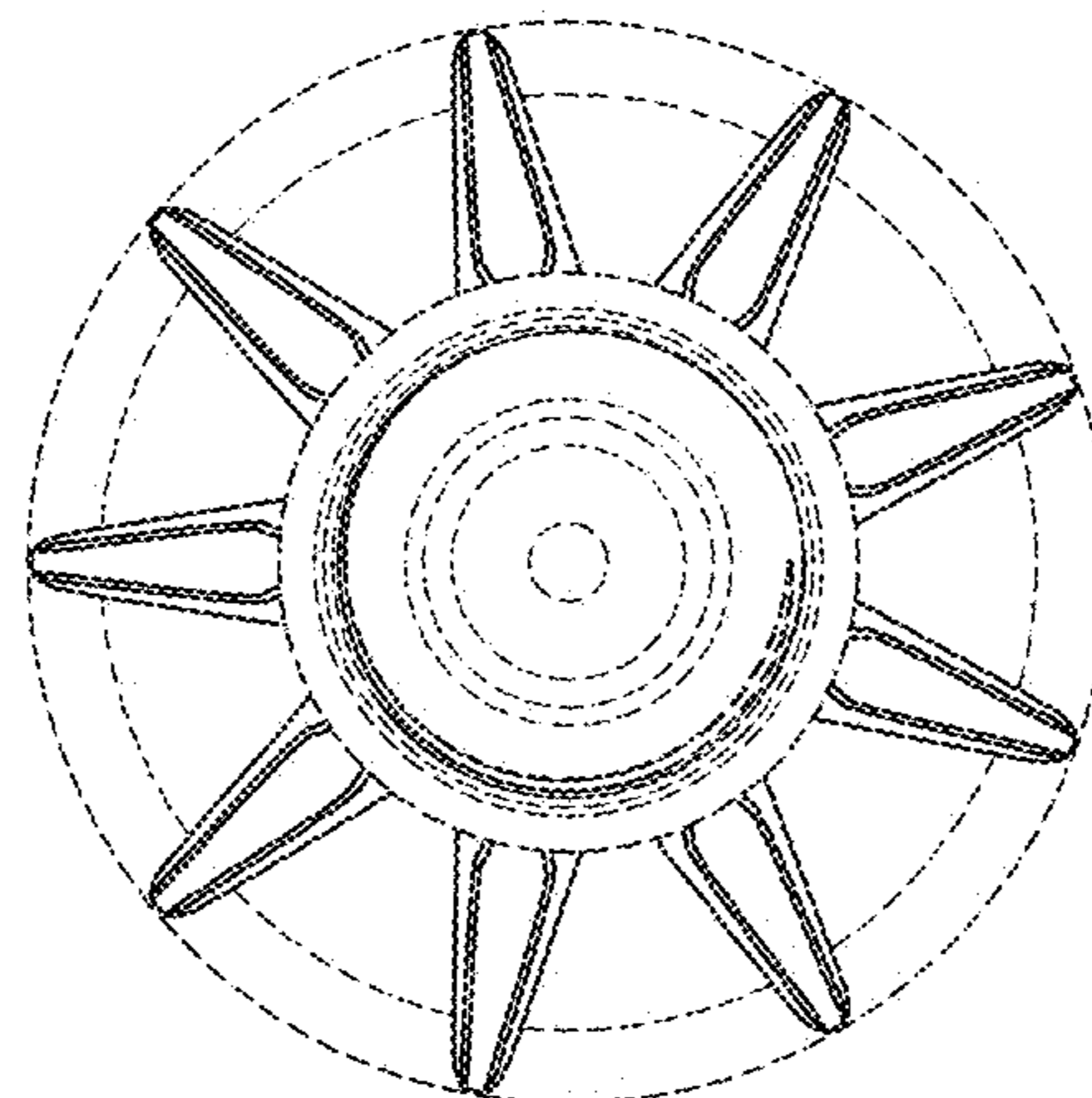


FIG. 8

