

US00D686762S

(12) **United States Design Patent**  
**Song**

(10) **Patent No.:** **US D686,762 S**

(45) **Date of Patent:** **\*\* Jul. 23, 2013**

(54) **LED LAMP**

(71) Applicant: **Posco Led Company Ltd.**, Seongnam (KR)

(72) Inventor: **Tae Hoon Song**, Seongnam (KR)

(73) Assignee: **Posco LED Company Ltd.**, Seongnam (KR)

(\*\*) Term: **14 Years**

(21) Appl. No.: **29/433,862**

(22) Filed: **Oct. 5, 2012**

(30) **Foreign Application Priority Data**

Jul. 20, 2012 (KR) ..... 30-2012-0035401

(51) **LOC (9) Cl.** ..... **26-04**

(52) **U.S. Cl.**  
USPC ..... **D26/2**

(58) **Field of Classification Search**  
USPC ..... D26/1-4; 313/313, 315, 316, 317,  
313/318, 493; 315/52, 53, 56, 57, 58  
See application file for complete search history.

(56) **References Cited**

**U.S. PATENT DOCUMENTS**

D508,575 S \* 8/2005 Buschmann et al. .... D26/2  
D528,227 S \* 9/2006 Chou et al. .... D26/2

D531,741 S 11/2006 Takahashi  
D534,665 S \* 1/2007 Egawa et al. .... D26/2  
D538,950 S \* 3/2007 Maxik ..... D26/2  
D538,953 S \* 3/2007 Mama ..... D26/2  
D541,440 S 4/2007 Feit  
D553,267 S 10/2007 Yuen  
D600,367 S \* 9/2009 Bertram et al. .... D26/2  
D613,887 S \* 4/2010 Lee et al. .... D26/2

**OTHER PUBLICATIONS**

Notice of Allowance issued on May 29, 2013 in U.S. Appl. No. 29/441,988.

\* cited by examiner

*Primary Examiner* — Marcus Jackson

(74) *Attorney, Agent, or Firm* — H.C. Park & Associates, PLC

(57) **CLAIM**

The ornamental design for a LED lamp, as shown and described.

**DESCRIPTION**

FIG. 1 is a perspective view of the LED lamp.  
FIG. 2 is a front view of the LED lamp.  
FIG. 3 is a rear view of the LED lamp.  
FIG. 4 is a left side view of the LED lamp.  
FIG. 5 is a right side view of the LED lamp.  
FIG. 6 is a top plan view of the LED lamp.  
FIG. 7 is a bottom plan view of the LED lamp; and,  
FIG. 8 is an enlarged exploded perspective view thereof.

**1 Claim, 5 Drawing Sheets**

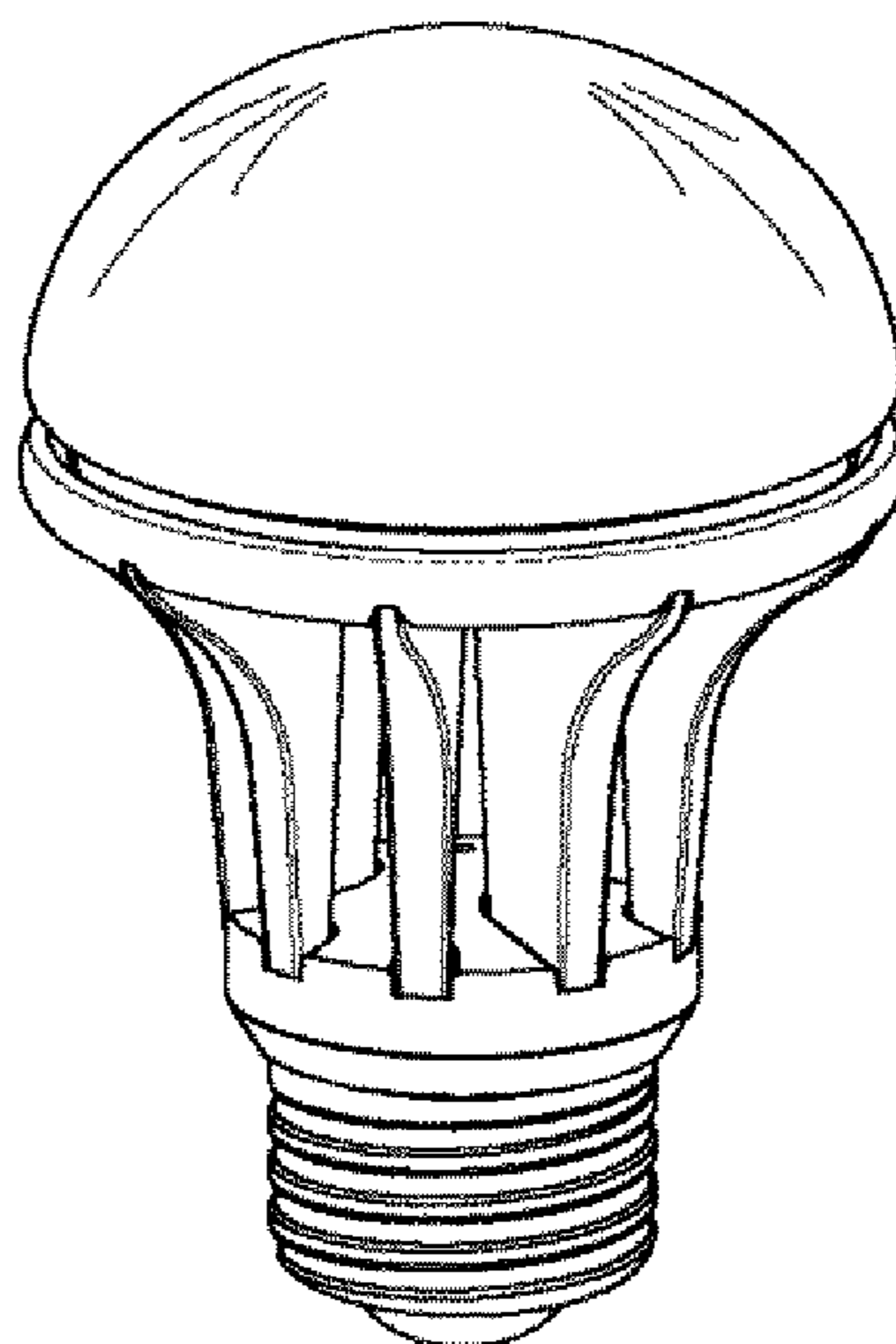


FIG. 1

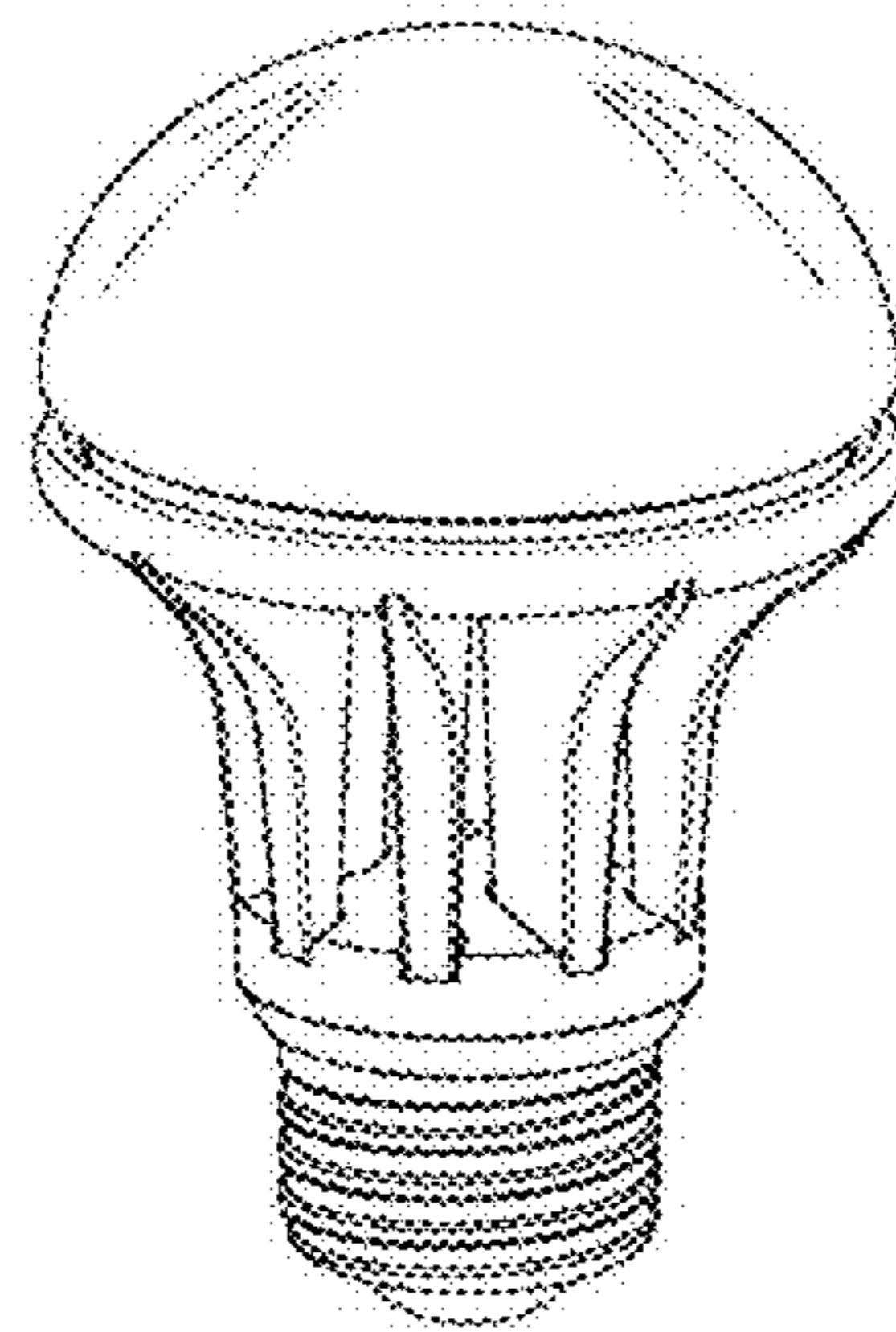


FIG. 2

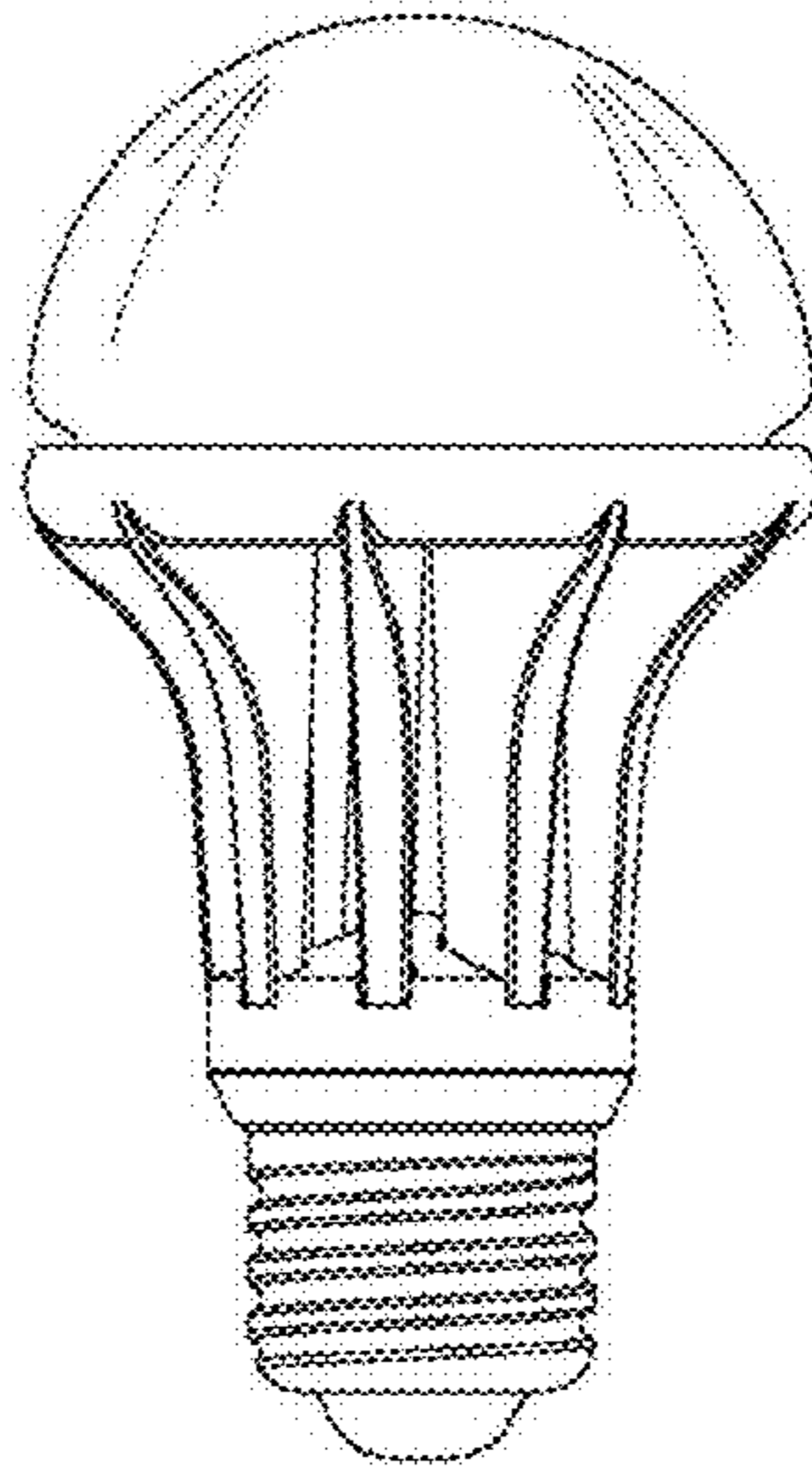


FIG. 3

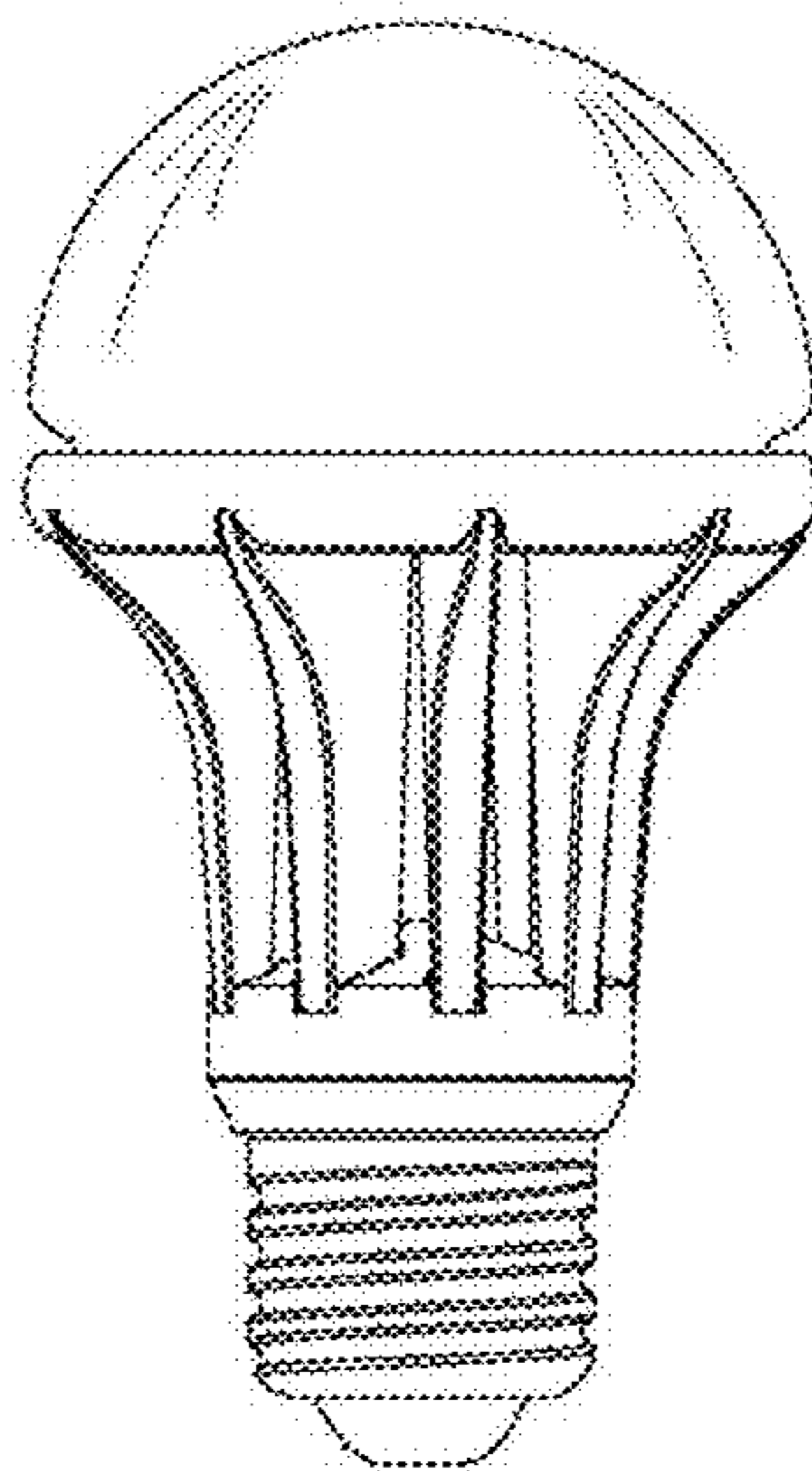


FIG. 4

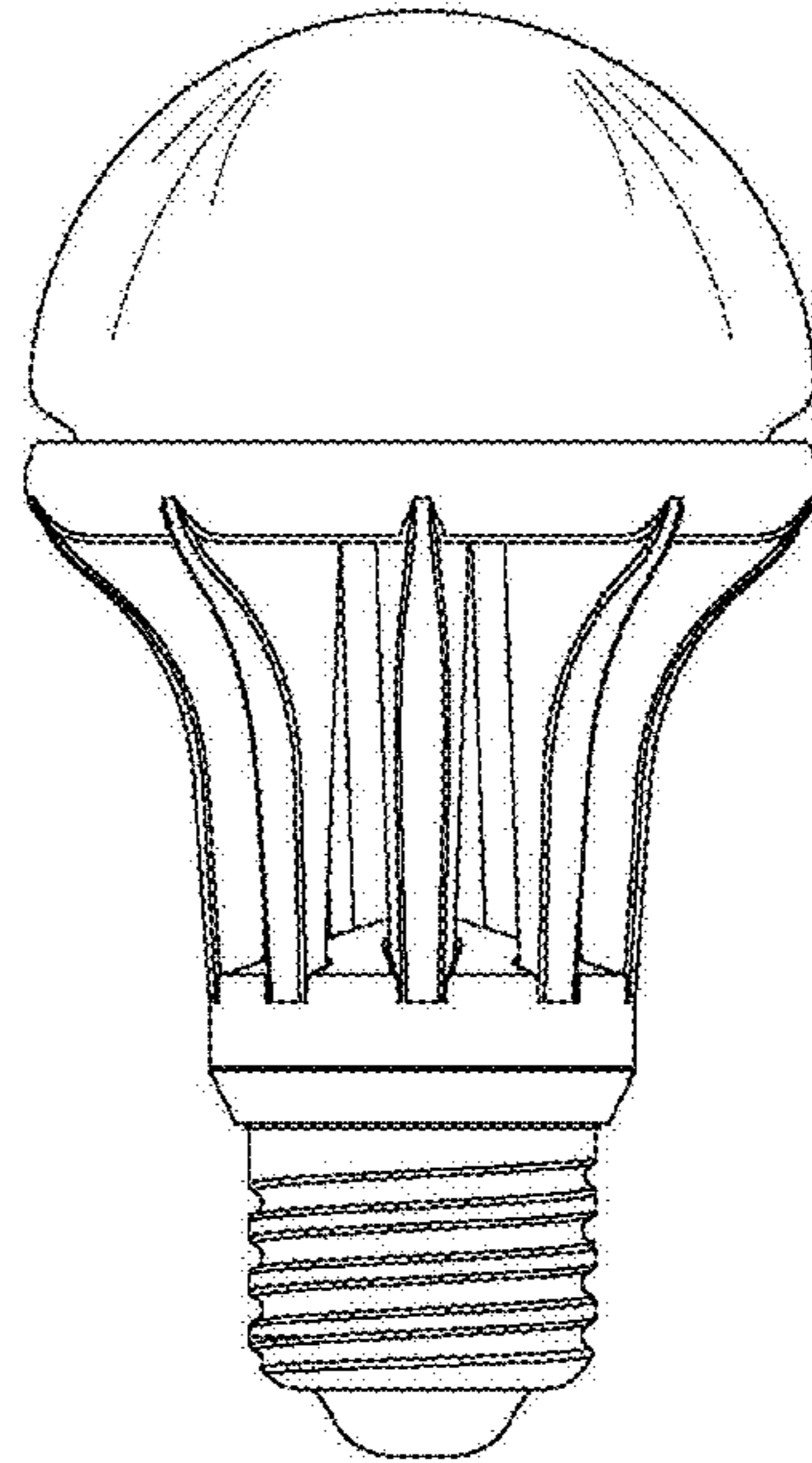


FIG. 5

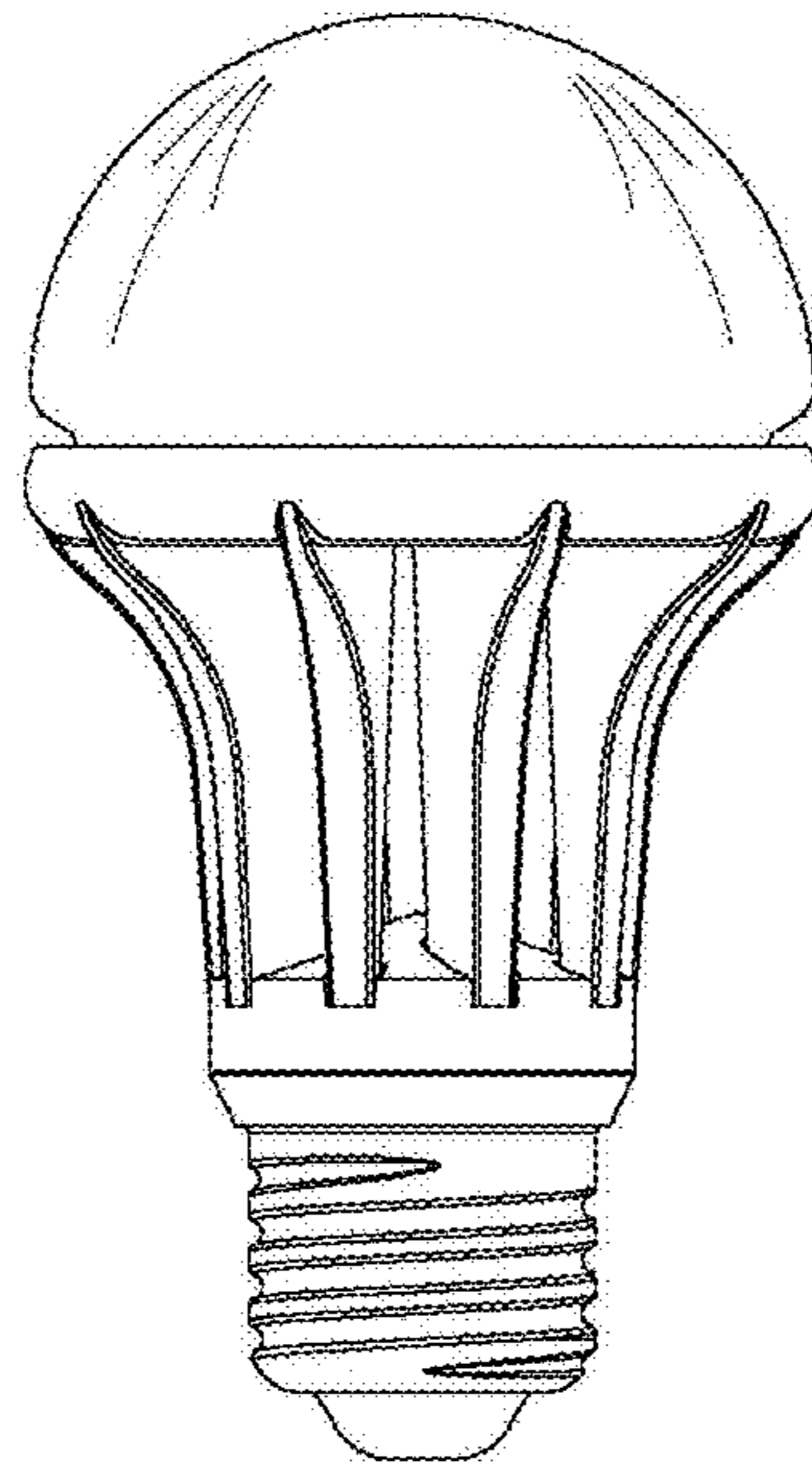


FIG. 6

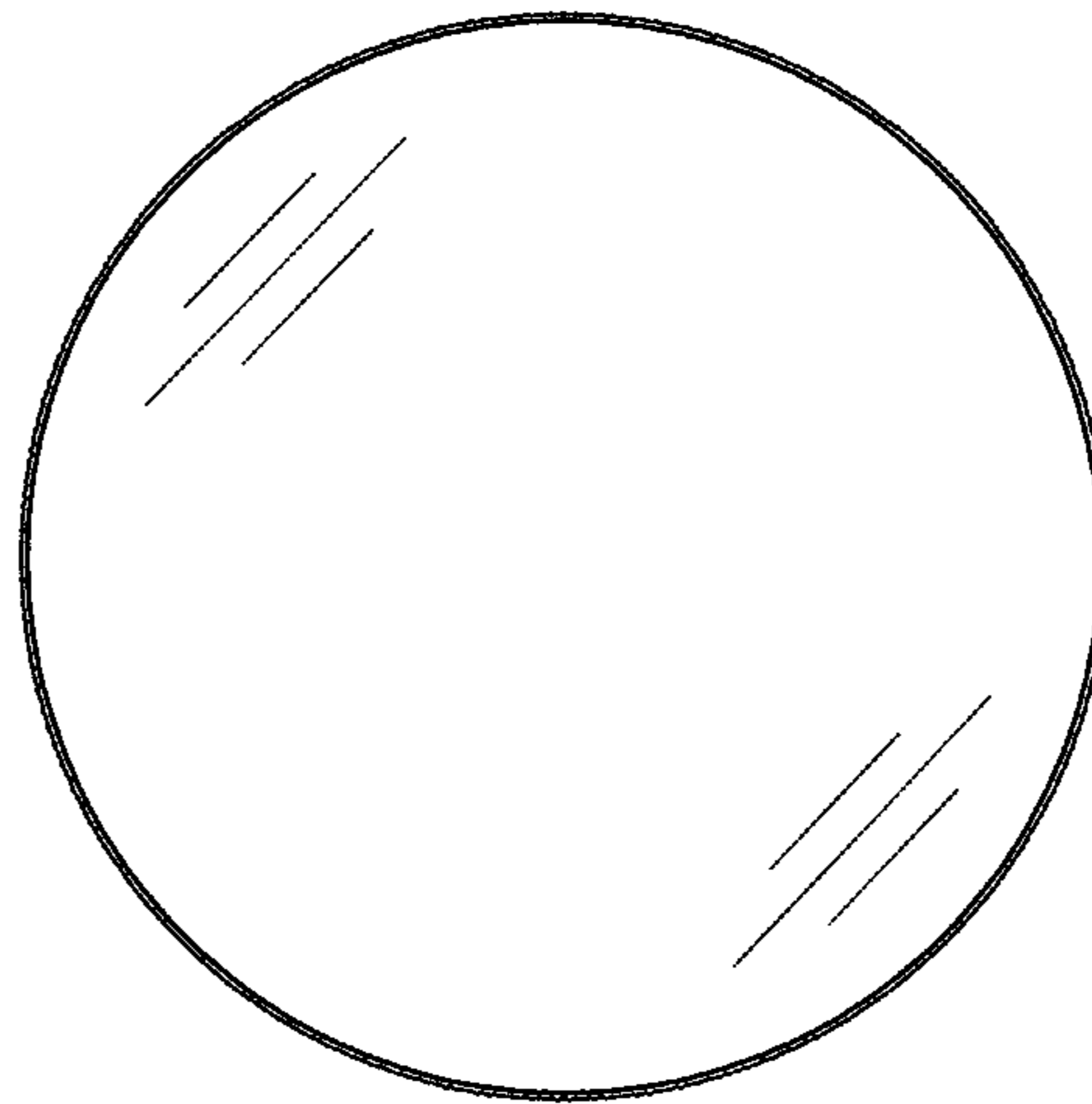


FIG. 7

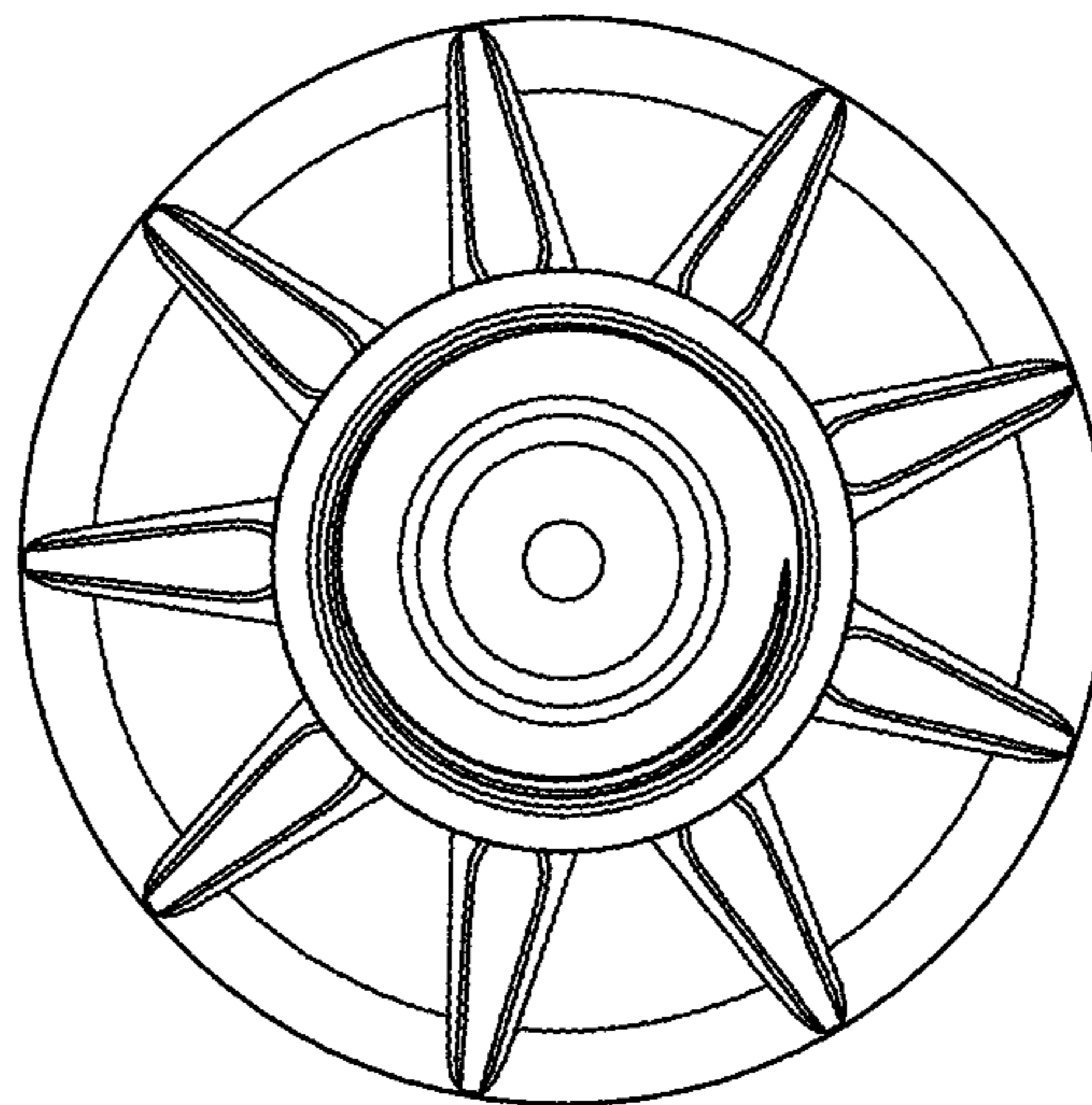


FIG. 8

