



US00D686761S

(12) **United States Design Patent**
Ottobre

(10) **Patent No.:** **US D686,761 S**

(45) **Date of Patent:** **** Jul. 23, 2013**

(54) **LIGHTING ASSEMBLY**

(56) **References Cited**

(75) Inventor: **Tony Ottobre**, Thomastown (AU)

U.S. PATENT DOCUMENTS

(73) Assignee: **LED Technologies Pty Ltd.**,
Thomastown VIC (AU)

| | | | | | | |
|----------|---|---|---------|-----------------|-------|-------|
| D626,666 | S | * | 11/2010 | Yamamoto et al. | | D26/2 |
| D627,493 | S | * | 11/2010 | Yamamoto et al. | | D26/2 |
| D628,312 | S | * | 11/2010 | Yamamoto et al. | | D26/2 |
| D628,318 | S | * | 11/2010 | Yamamoto et al. | | D26/2 |
| D628,722 | S | * | 12/2010 | Yamamoto et al. | | D26/2 |
| D666,332 | S | * | 8/2012 | Kim et al. | | D26/2 |

(**) Term: **14 Years**

* cited by examiner

(21) Appl. No.: **29/405,496**

Primary Examiner — Marcus Jackson

(22) Filed: **Nov. 2, 2011**

(74) *Attorney, Agent, or Firm* — Stevens & Showalter LLP

(30) **Foreign Application Priority Data**

(57) **CLAIM**

The ornamental design for a lighting assembly, as shown and described.

May 4, 2011 (AU) 337302

(51) **LOC (9) Cl.** **26-04**

(52) **U.S. Cl.**
USPC **D26/2**

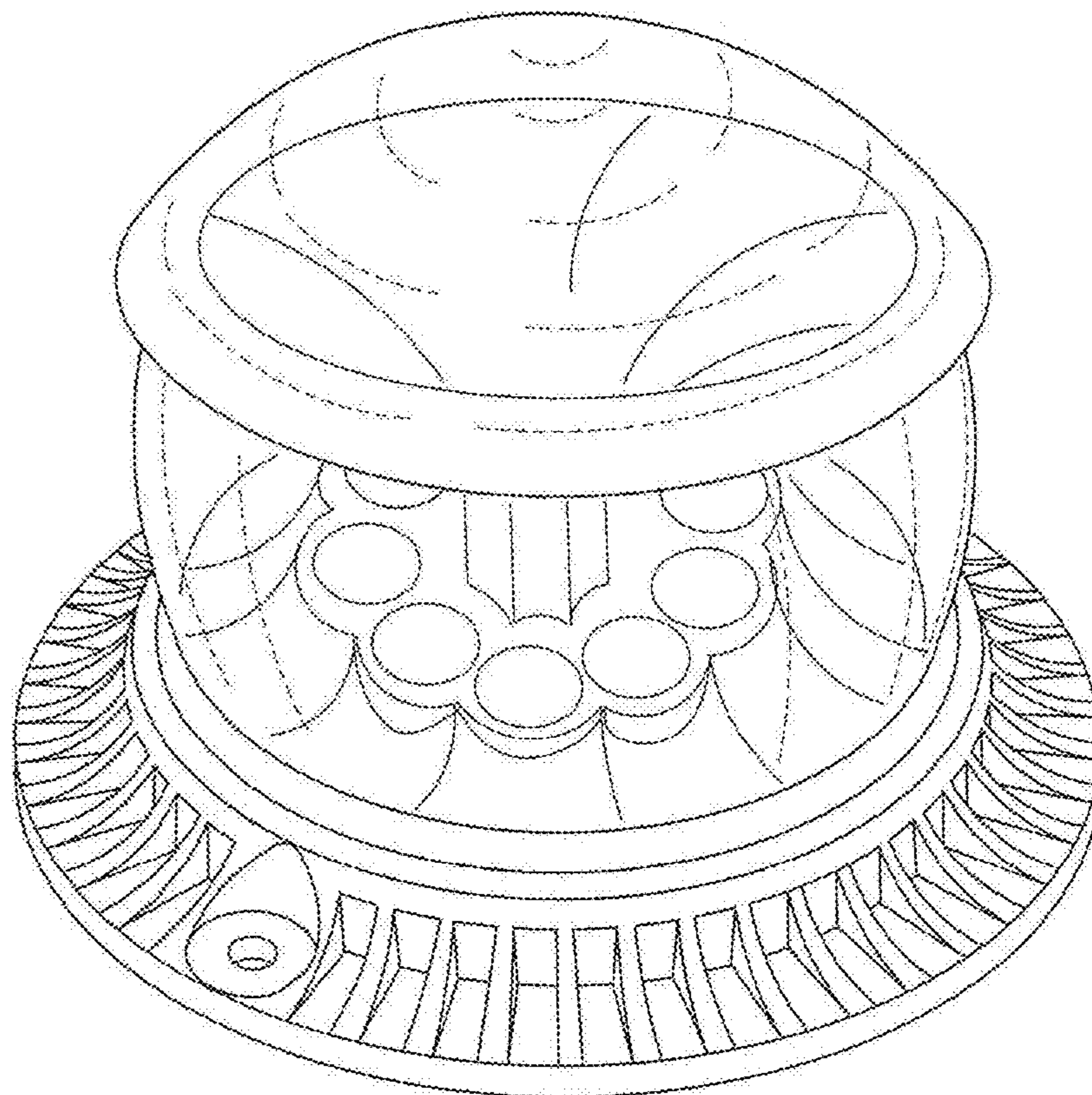
(58) **Field of Classification Search**
USPC D26/1-4; 313/313, 315, 316, 317,
313/318, 493; 315/52, 53, 56, 57, 58

See application file for complete search history.

DESCRIPTION

FIG. 1 is a perspective view of a lighting assembly showing my new design;
FIG. 2 is a first side elevational view thereof;
FIG. 3 is a second side elevational view thereof, opposite from the first side of FIG. 2;
FIG. 4 is a first end elevational view thereof;
FIG. 5 is a second end elevational view thereof, opposite from the first end of FIG. 4; and,
FIG. 6 is a top plan view thereof.
The bottom of the design is flat and unornamented.

1 Claim, 6 Drawing Sheets



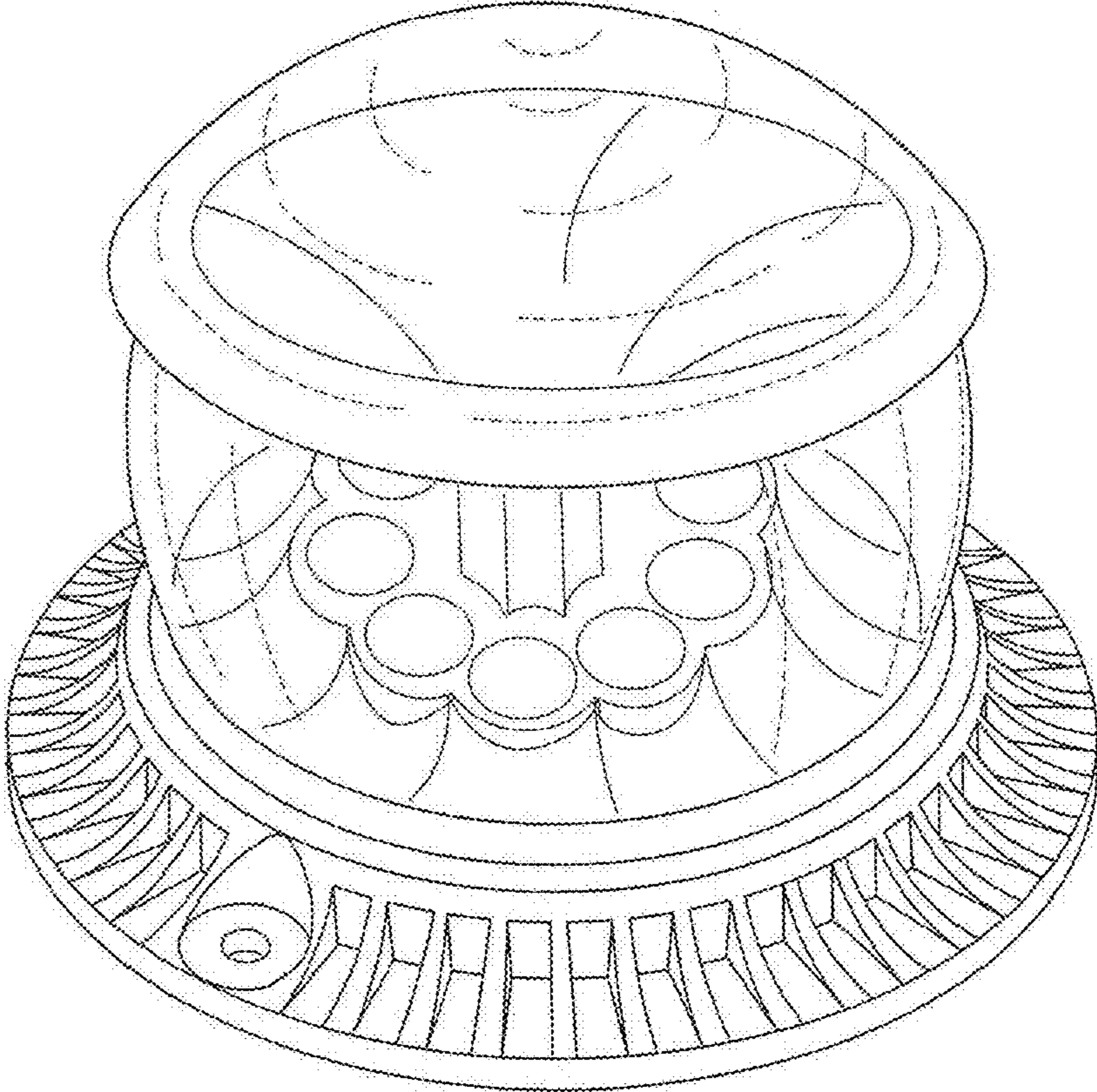


FIG. 1

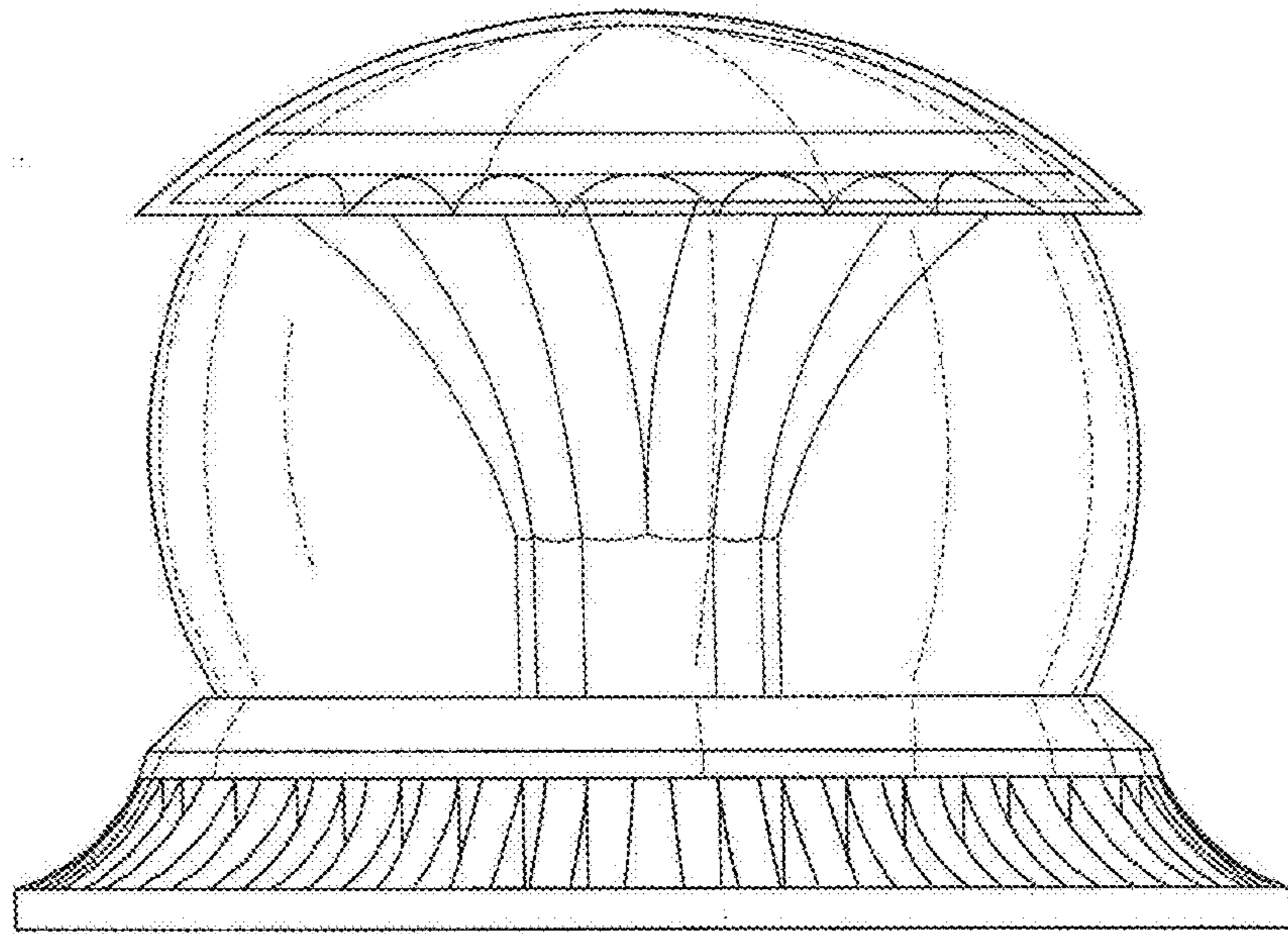


FIG. 2

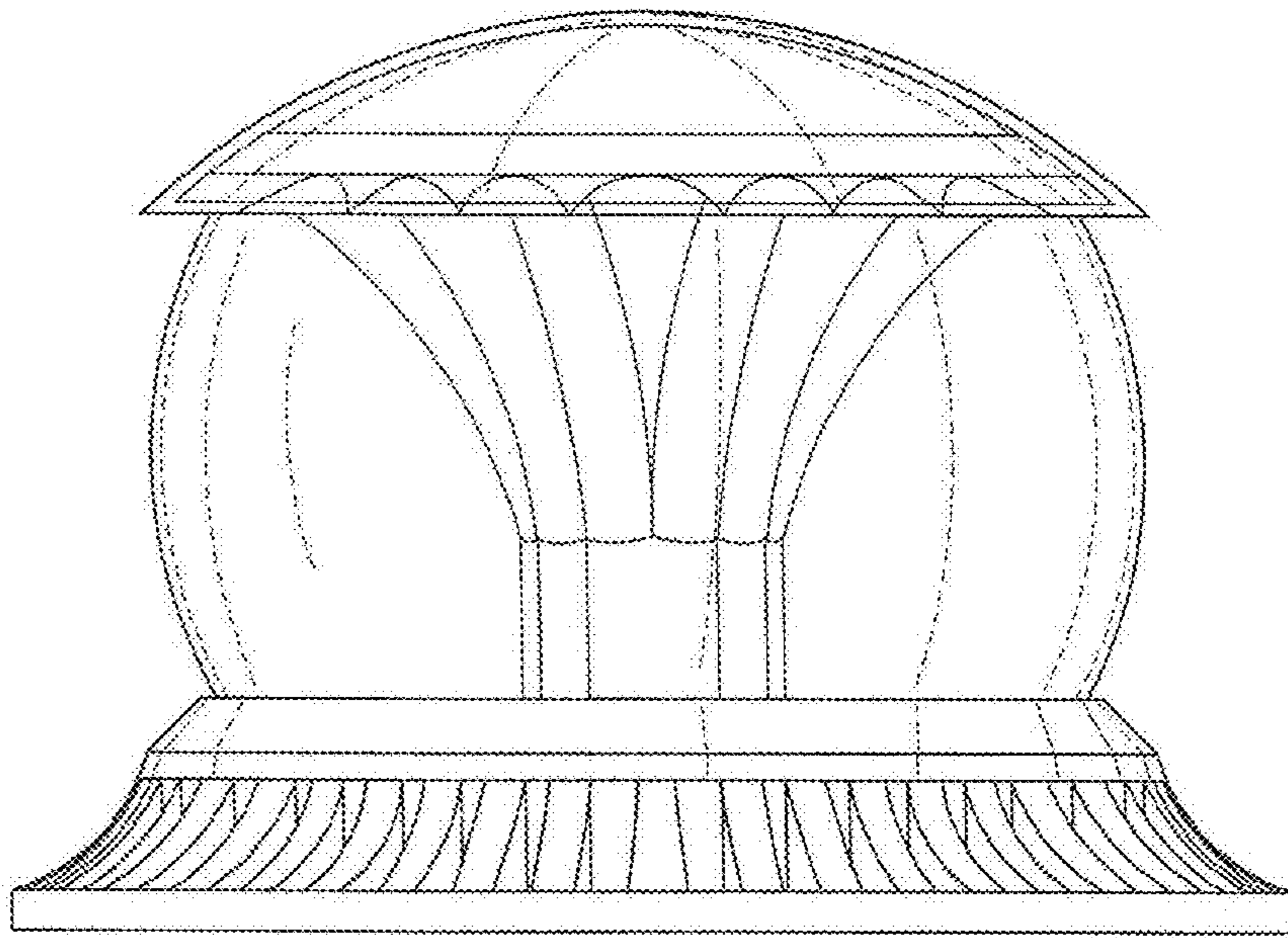


FIG. 3

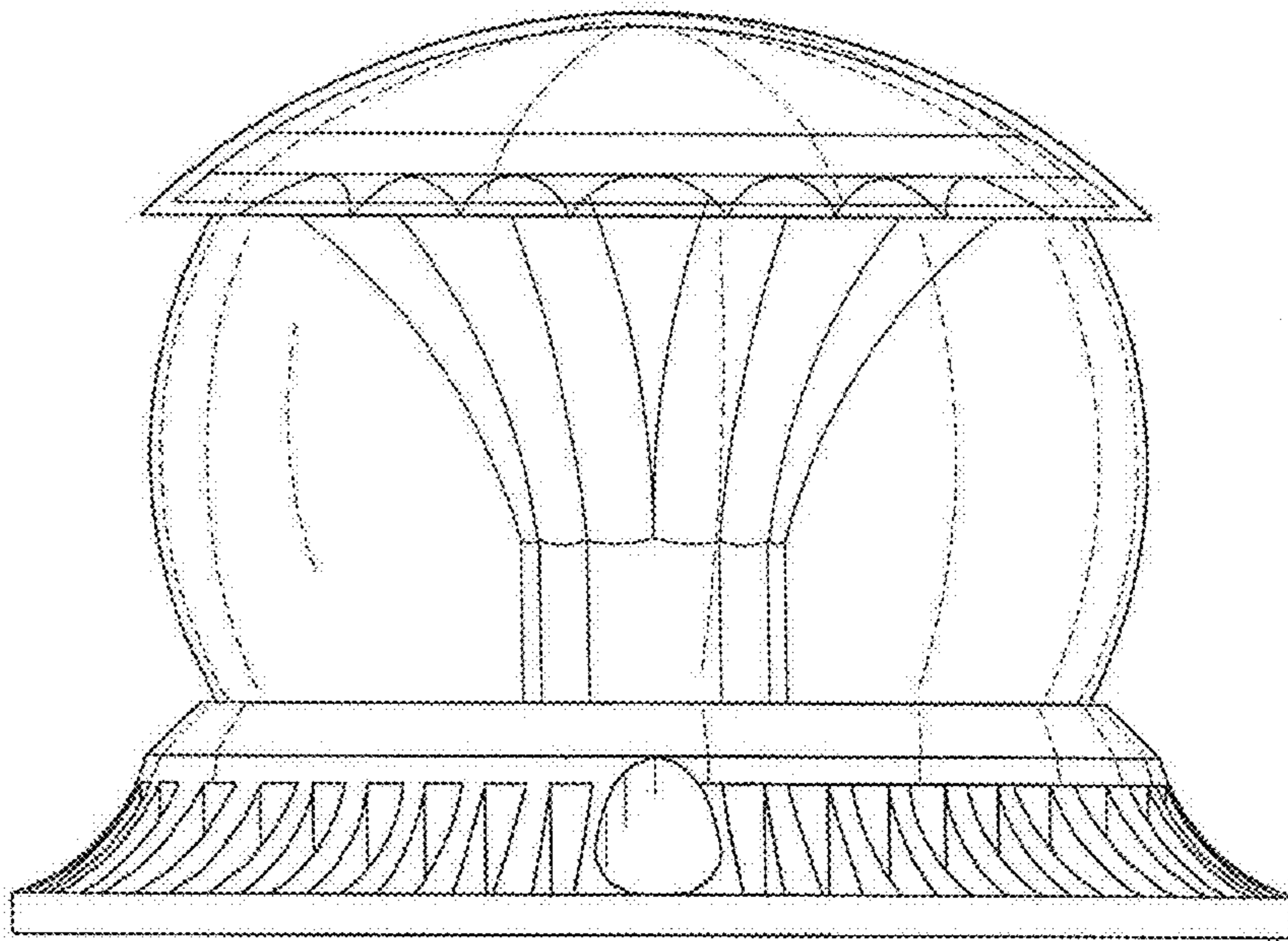


FIG. 4

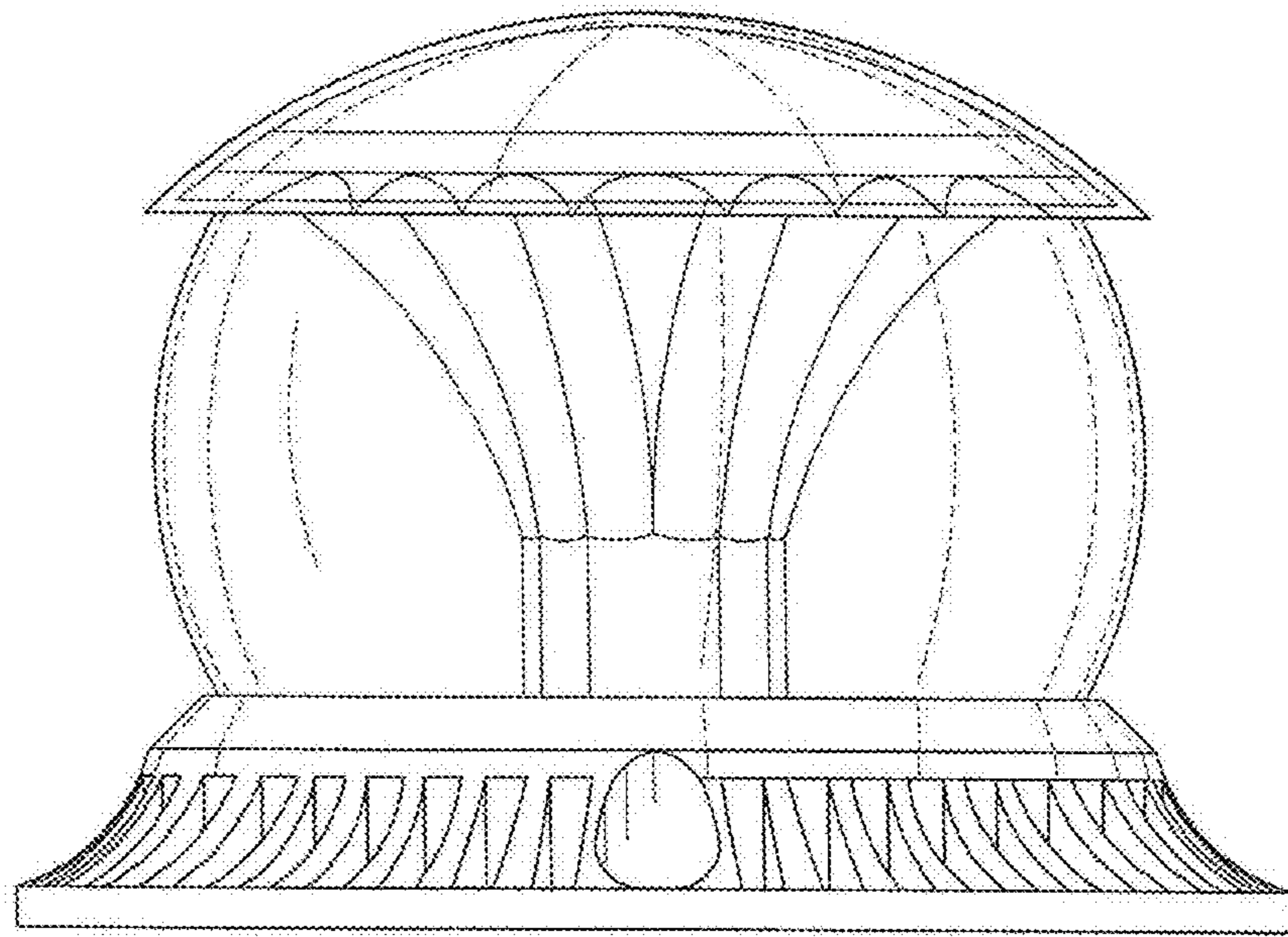


FIG. 5

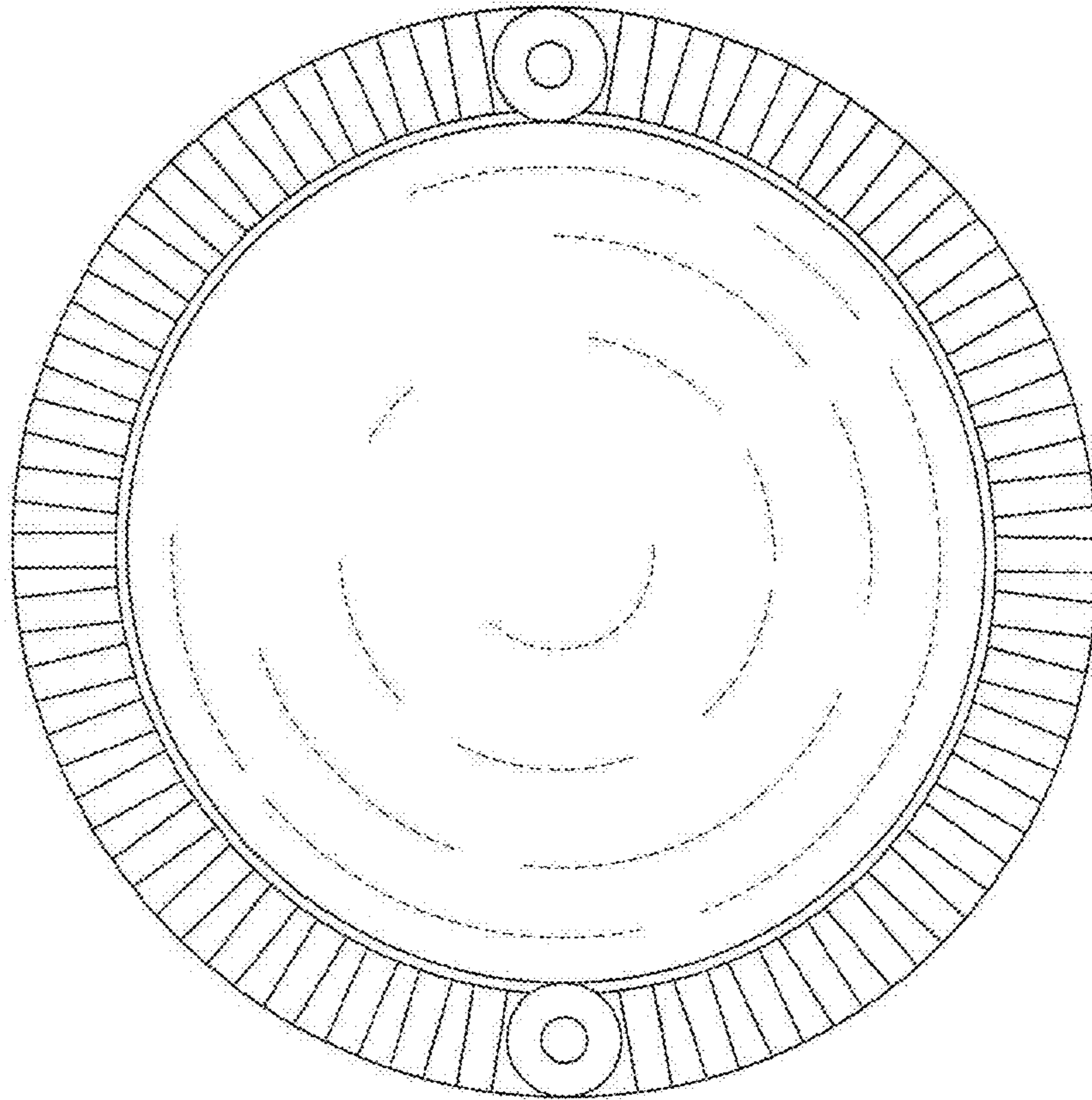


FIG. 6