



US00D686757S

(12) **United States Design Patent**
Johnston

(10) **Patent No.:** **US D686,757 S**
(45) **Date of Patent:** **** Jul. 23, 2013**

- (54) **WALL BASE**
- (75) Inventor: **Curt Johnston**, Auburn, OH (US)
- (73) Assignee: **Johnsonite Inc.**, Chagrin Falls, OH (US)
- (**) Term: **14 Years**
- (21) Appl. No.: **29/417,903**
- (22) Filed: **Apr. 10, 2012**
- (51) **LOC (9) Cl.** **25-01**
- (52) **U.S. Cl.**
USPC **D25/119**
- (58) **Field of Classification Search**
USPC D25/119, 136; 52/287.1, 290, 288.1,
52/716.1, 716.6, 716.8, 717.01, 718.01, 242,
52/220.7, 211, 204.53
See application file for complete search history.

- D483,884 S 12/2003 Glatz
- D484,253 S 12/2003 Glatz
- D484,254 S 12/2003 Glatz
- D489,831 S 5/2004 Glatz
- 6,729,087 B2 5/2004 Sauter
- D493,895 S 8/2004 Glatz
- D499,192 S 11/2004 Glatz

(Continued)

OTHER PUBLICATIONS

Burke Flooring Product Catalog —2010, p. 44-45 w/front & back cover http://www.burkeflooring.com/pdf/Burke_2010_Catalog.pdf.

(Continued)

Primary Examiner — Doris Clark
(74) *Attorney, Agent, or Firm* — D. Peter Hochberg; Sean F. Mellino

(56) **References Cited**

U.S. PATENT DOCUMENTS

- 1,663,774 A 3/1928 Petersen
- 2,069,289 A 2/1937 Swendsen
- 2,651,086 A 9/1953 Corson
- 2,994,905 A 8/1961 Franker, Jr.
- 3,092,869 A 6/1963 Stump
- 3,192,576 A 7/1965 Wieting
- 3,831,334 A * 8/1974 Rutkowski et al. 52/288.1
- 4,478,017 A 10/1984 Brown
- 5,010,703 A 4/1991 Pearlman
- D380,280 S 6/1997 Ingraham
- D424,709 S 5/2000 Minidis
- 6,401,418 B1 6/2002 Senn
- D474,548 S 5/2003 Glatz
- D477,420 S * 7/2003 Butcher D25/119
- D481,137 S 10/2003 Glatz
- D483,881 S 12/2003 Glatz
- D483,882 S 12/2003 Glatz
- D483,883 S 12/2003 Glatz

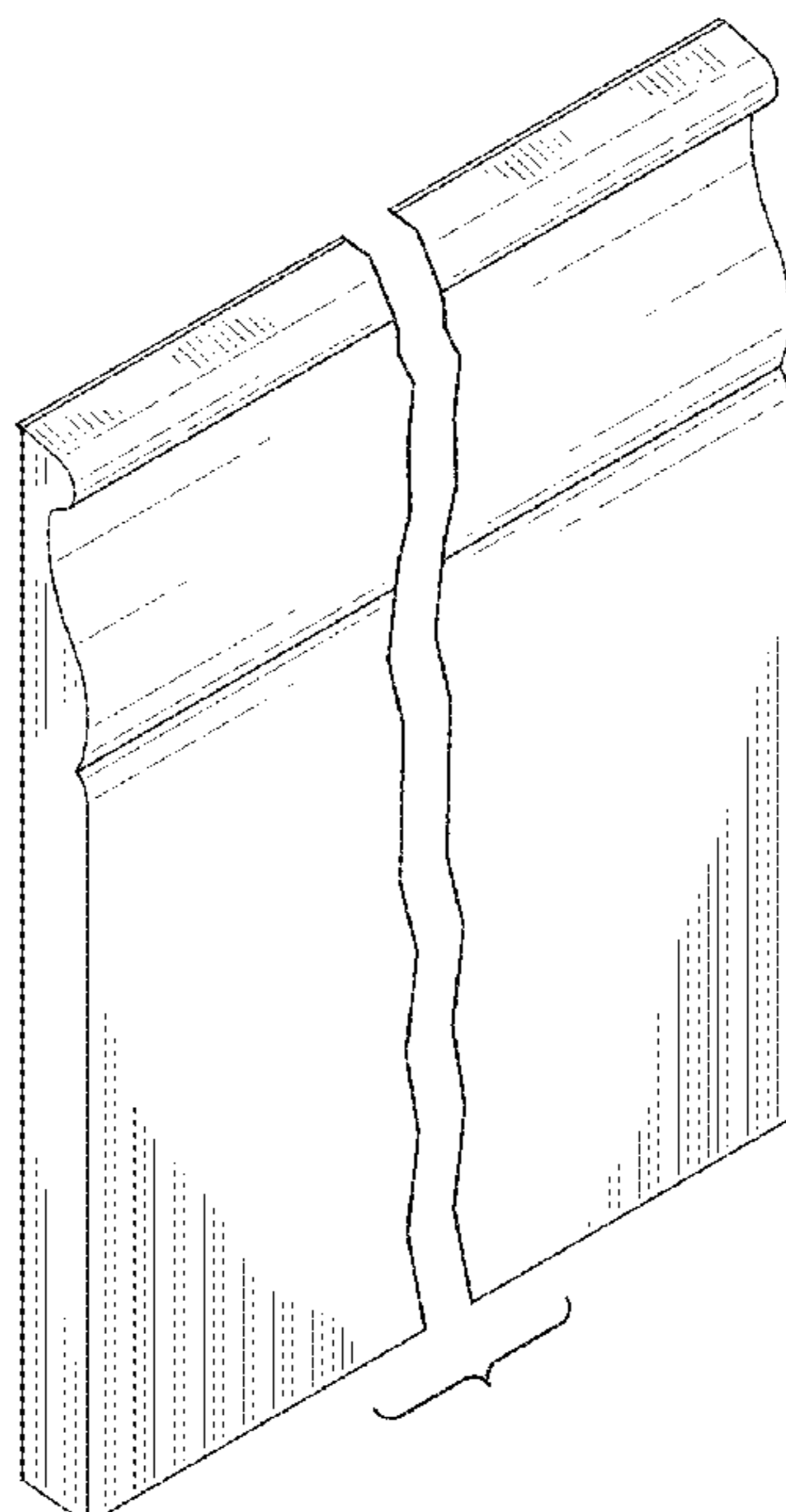
CLAIM

(57) The ornamental design for a wall base, as shown and described.

DESCRIPTION

FIG. 1 is a perspective view of the wall base according to the invention;
FIG. 2 is a top view of the wall base as shown in FIG. 1;
FIG. 3 is a front view of the wall base as shown in FIG. 1;
FIG. 4 is a side view of the wall base as shown in FIG. 1;
FIG. 5 is a rear view of the wall base as shown in FIG. 1;
FIG. 6 is a side view of the wall base as shown in FIG. 1, shown from the opposite side of that shown in FIG. 4; and,
FIG. 7 is a bottom view of the wall base as shown in FIG. 1. The broken away ends indicate that the wall base has no specific length.

1 Claim, 3 Drawing Sheets



US D686,757 S

Page 2

U.S. PATENT DOCUMENTS

D499,193 S 11/2004 Glatz
D500,149 S 12/2004 Glatz
D510,145 S 9/2005 Folliard
D511,216 S 11/2005 Folliard
D514,236 S 1/2006 Glatz
D517,223 S 3/2006 Folliard
D529,196 S 9/2006 Folliard
D529,197 S 9/2006 Folliard
D529,198 S 9/2006 Folliard
D529,199 S 9/2006 Folliard
D529,631 S 10/2006 Folliard
D529,632 S 10/2006 Folliard
D579,123 S 10/2008 Johnston

D579,124 S 10/2008 Sauter et al.
D586,004 S 2/2009 Sauter et al.
7,556,758 B2 7/2009 Johnston
D623,770 S 9/2010 Johnston
D629,125 S 12/2010 Johnston

OTHER PUBLICATIONS

Johnsonite Inc. Product Catalog—2009, p. 96-97 w/front & back cover.

Mannington Commercial Rubber Flooring Catalog—2011, p. 25-26
http://www.ebuild.com/mannington-mills-inc.-mannington-commercial-rubber-flooring-catalog/2011/5535_25_2_2_0.hwx.

* cited by examiner

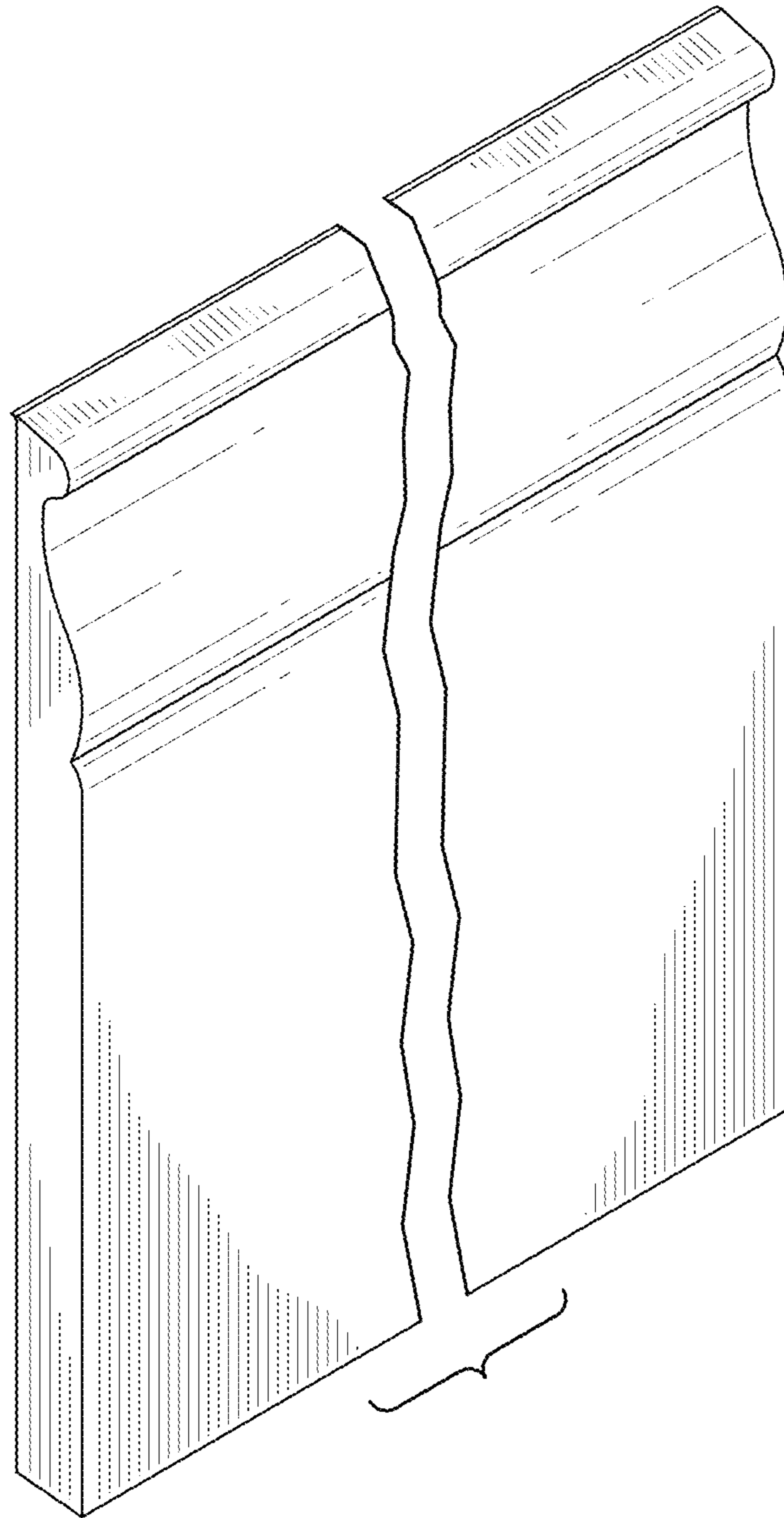


FIG-1

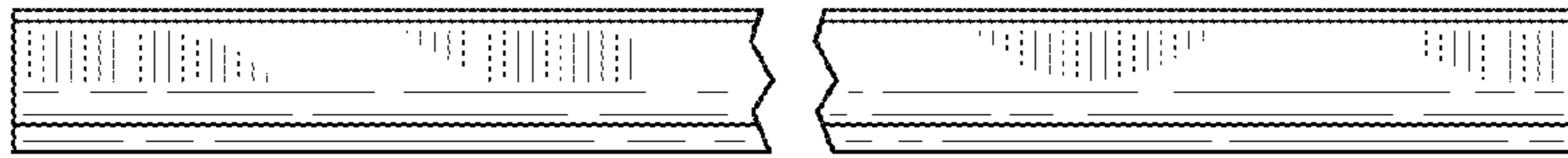


FIG-2

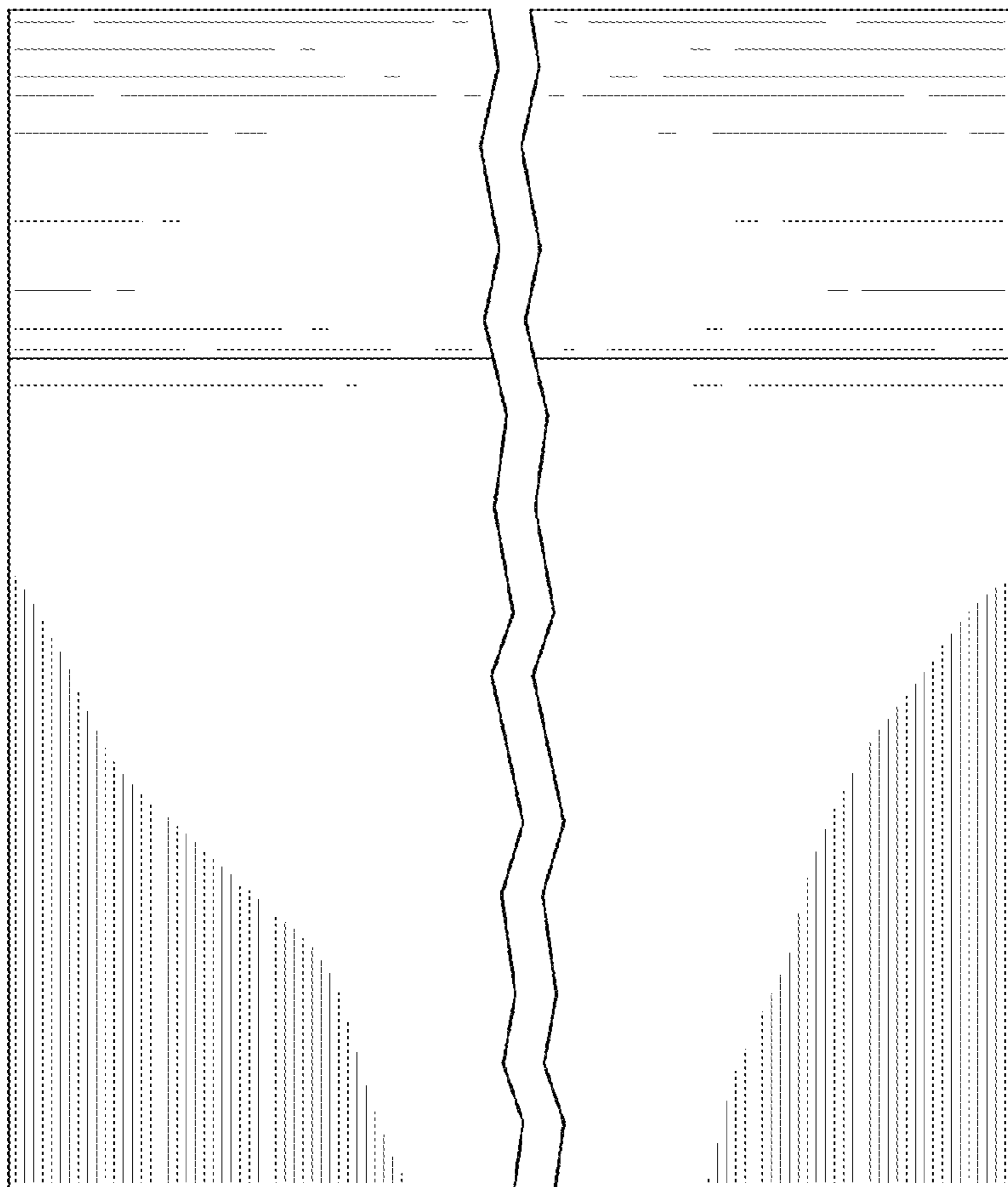


FIG-3

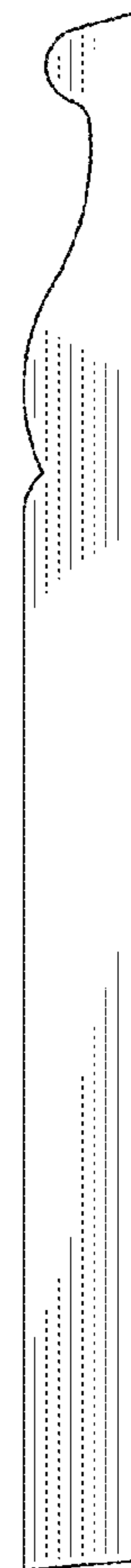


FIG-4

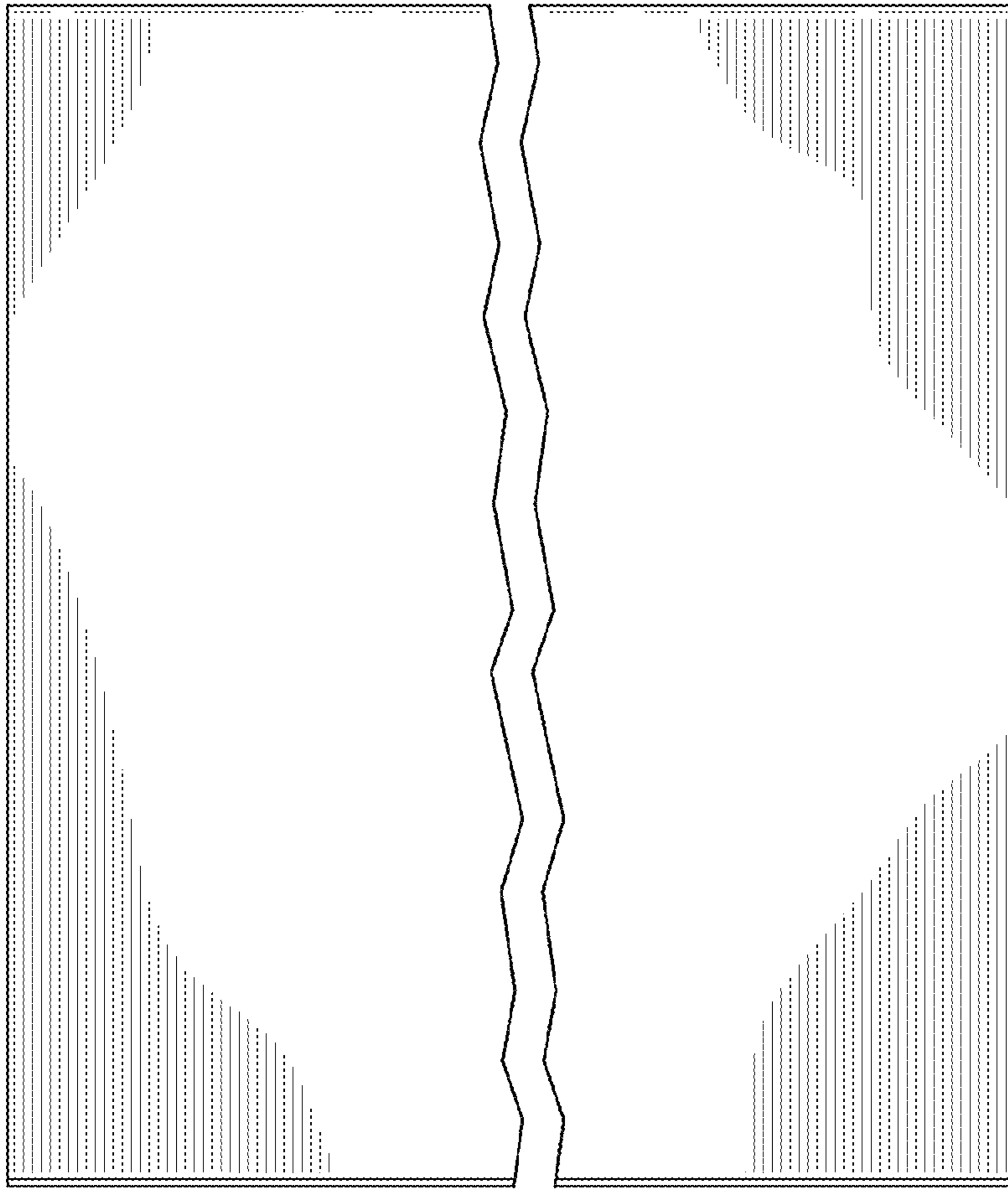


FIG-5

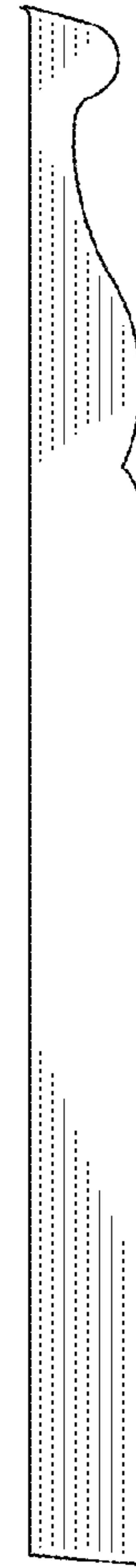


FIG-6

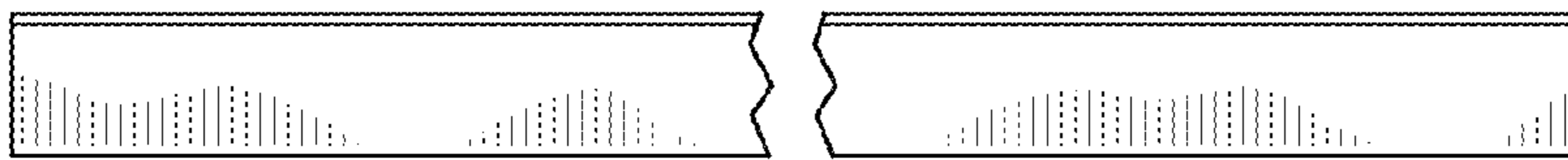


FIG-7