



US00D686754S

(12) **United States Design Patent**
Jasinski et al.

(10) **Patent No.:** **US D686,754 S**
(45) **Date of Patent:** **** Jul. 23, 2013**

(54) **DOORBRIM**

Primary Examiner — Doris Clark

(76) Inventors: **Richard S. Jasinski**, Pembroke Pines, FL (US); **Kara A. Jasinski**, St. Petersburg, FL (US)

(57) **CLAIM**
The ornamental design for a doorbrim, as shown and described.

(**) Term: **14 Years**

DESCRIPTION

(21) Appl. No.: **29/416,196**

FIG. 1 is a perspective downward-looking front right-side view of a doorbrim in accordance with the present invention; FIG. 2 is a close-up perspective downward-looking view of the right-side front corner of the doorbrim shown in FIG. 1; FIG. 3 is a rear perspective upward-looking bottom right-side view of the doorbrim of FIG. 1; FIG. 4 is a close-up perspective upward-looking view of the left inside corner of the doorbrim shown in FIG. 3; FIG. 5 is an elevational right side view of the doorbrim of FIG. 1; FIG. 6 is an elevational left side view of the doorbrim of FIG. 1; FIG. 7 is an elevational front view of the doorbrim of FIG. 1; FIG. 8 is a close-up elevational front view of the right corner of the doorbrim shown in FIG. 7; FIG. 9 is a top plan view of the doorbrim of FIG. 1; FIG. 10 is a bottom plan view of the doorbrim of FIG. 1; and, FIG. 11 is a partial perspective downward-looking front right-side view of a doorbrim of FIG. 1.

(22) Filed: **Mar. 20, 2012**

(51) **LOC (9) Cl.** **25-02**

(52) **U.S. Cl.**
USPC **D25/57**

(58) **Field of Classification Search**
USPC D25/57, 60, 55; 160/38, 19, 45; 52/717.01
See application file for complete search history.

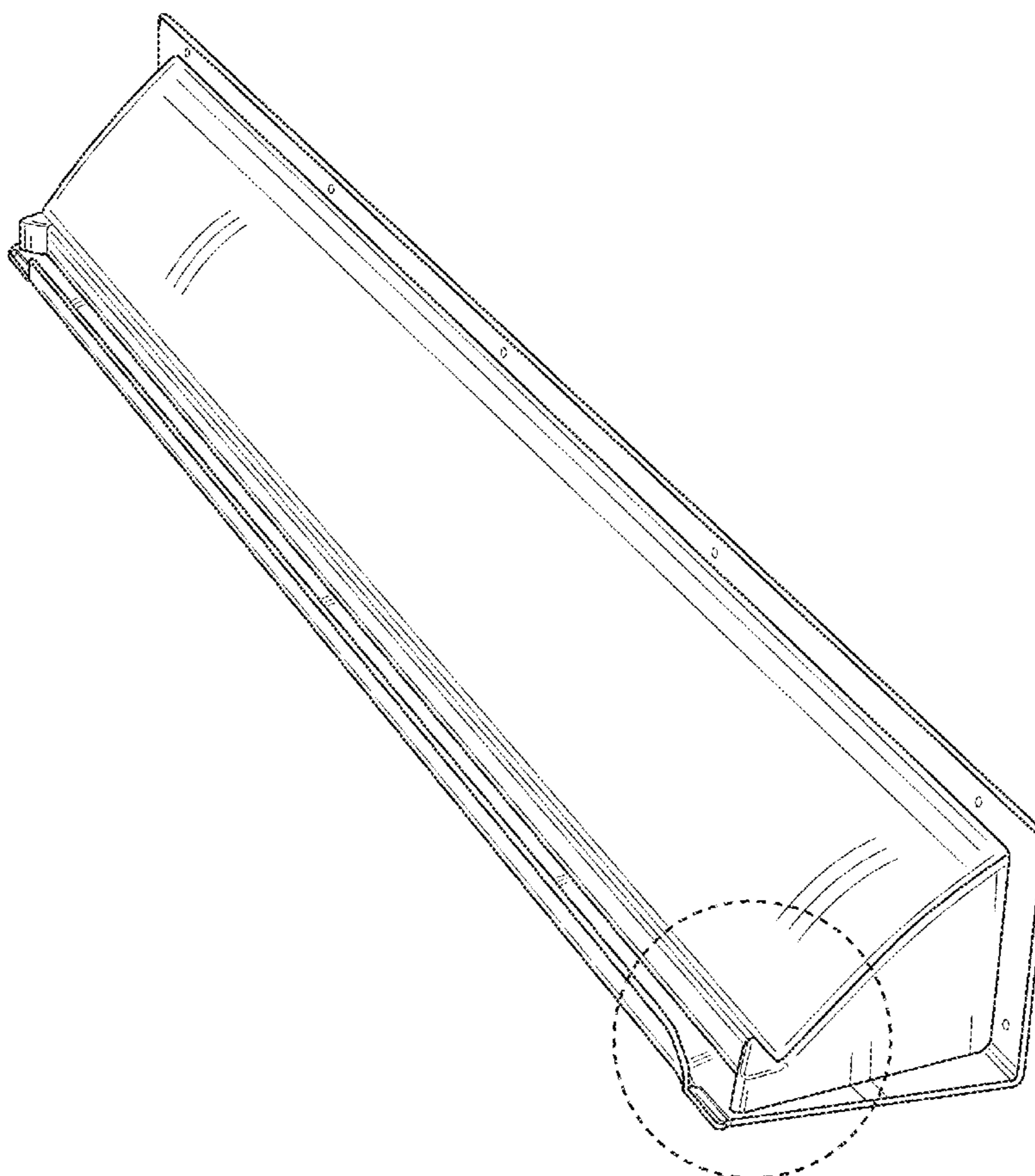
(56) **References Cited**

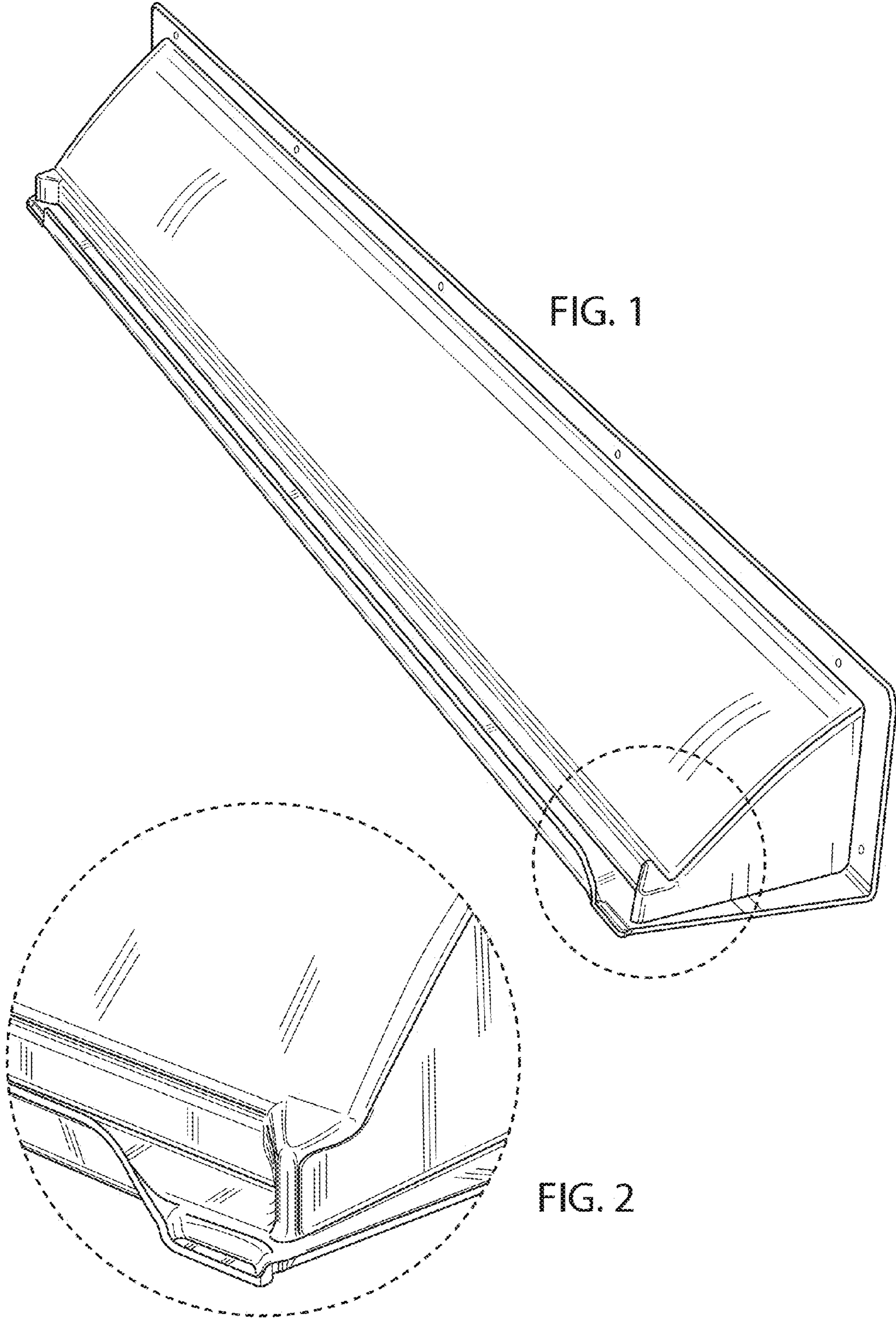
U.S. PATENT DOCUMENTS

D256,164	S	*	7/1980	Phillips	D25/57
D359,132	S	*	6/1995	Stillwell et al.	D25/57
5,465,540	A	*	11/1995	Biernazki	52/211
D524,949	S	*	7/2006	Solomon et al.	D25/60
2008/0245485	A1	*	10/2008	Johnson et al.	160/38

* cited by examiner

1 Claim, 6 Drawing Sheets





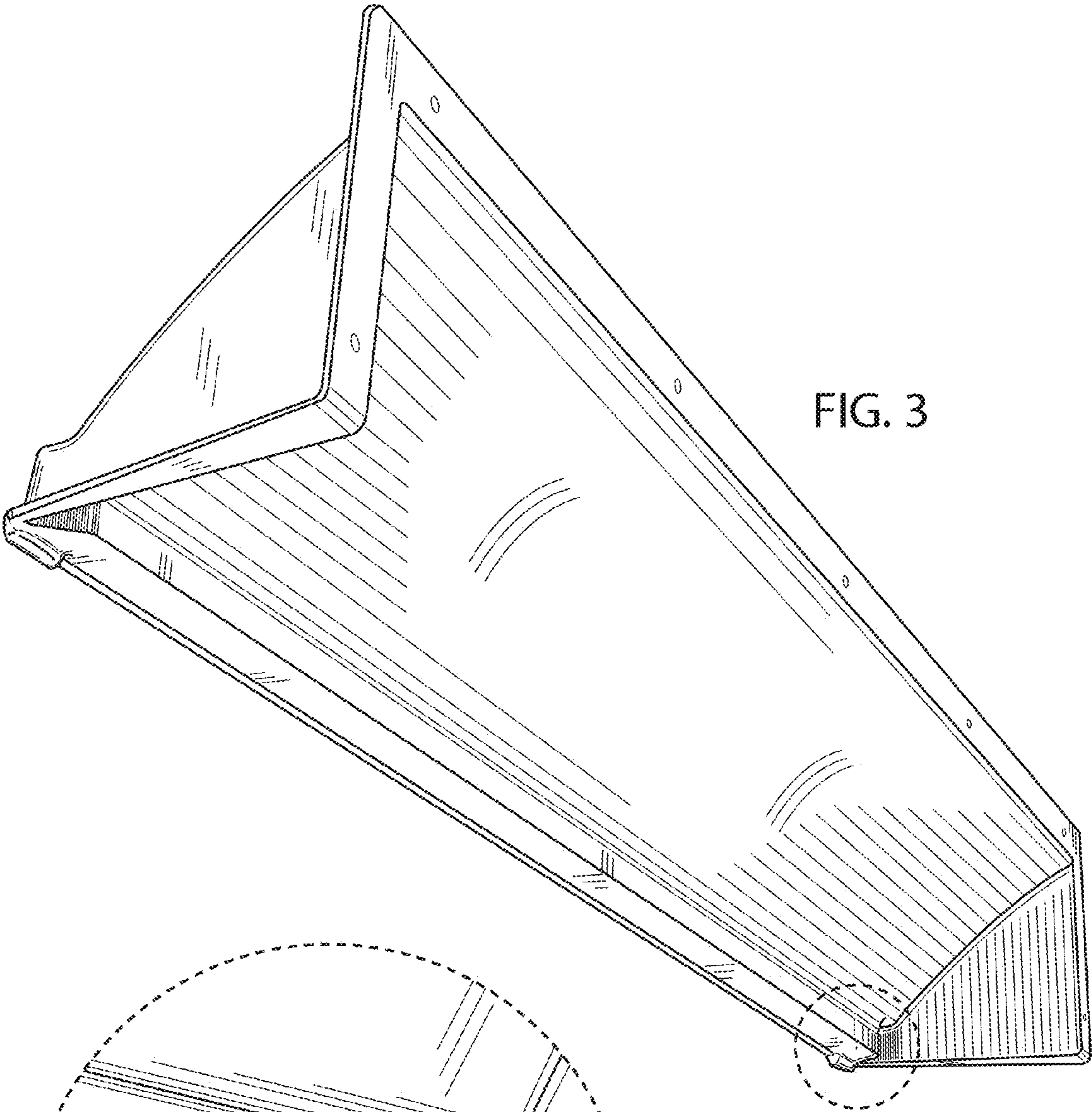


FIG. 3

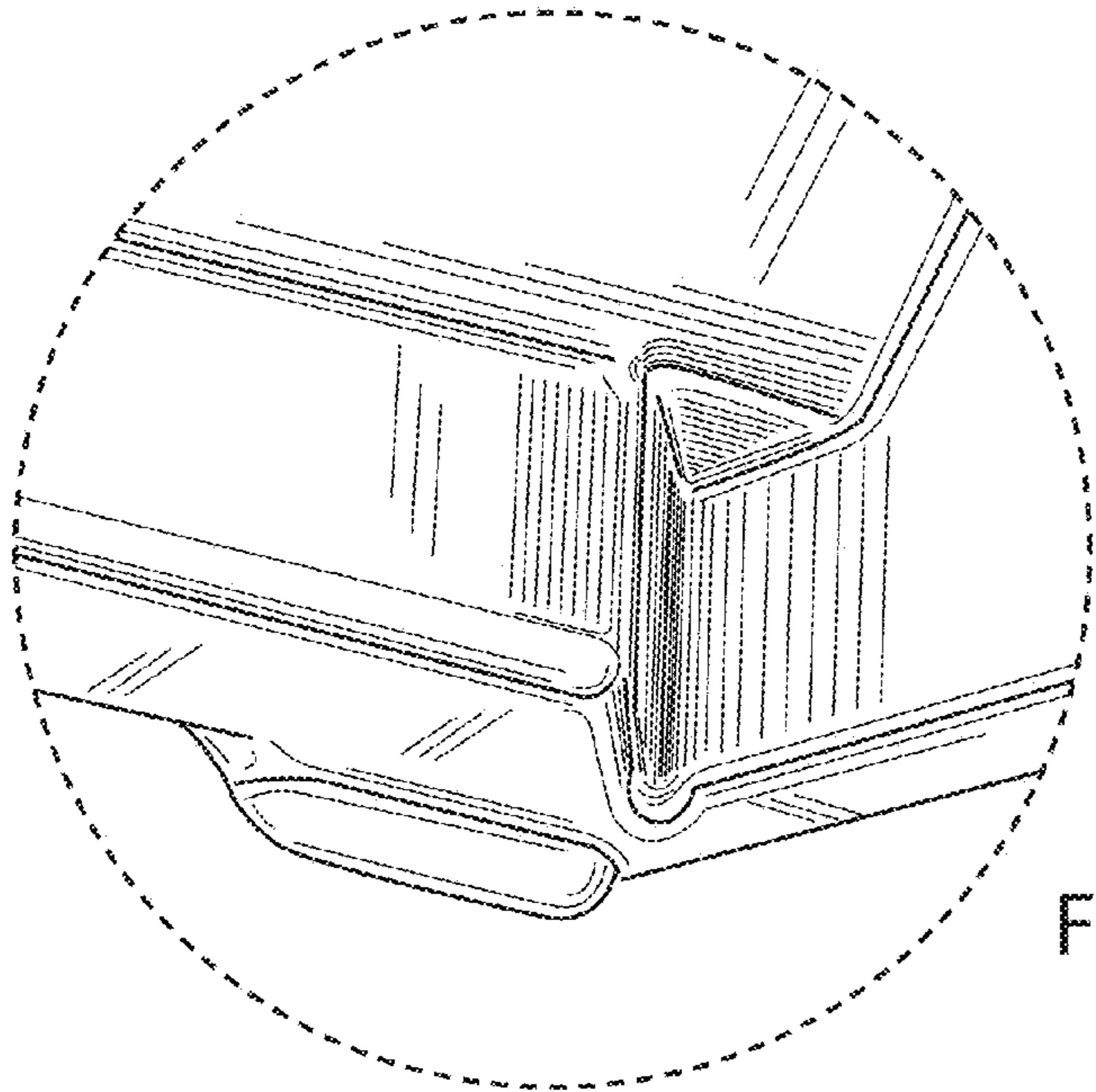


FIG. 4

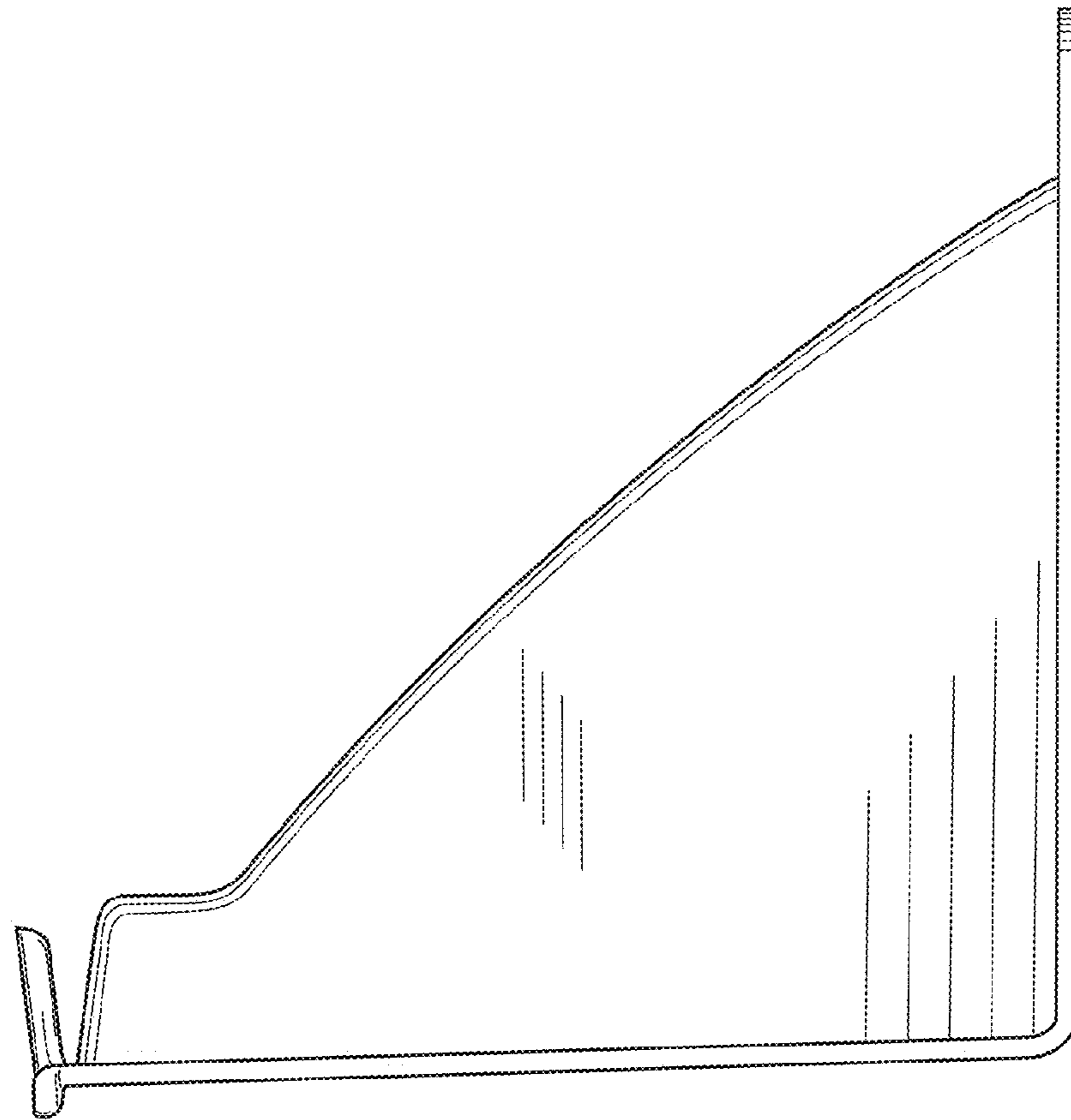


FIG. 5

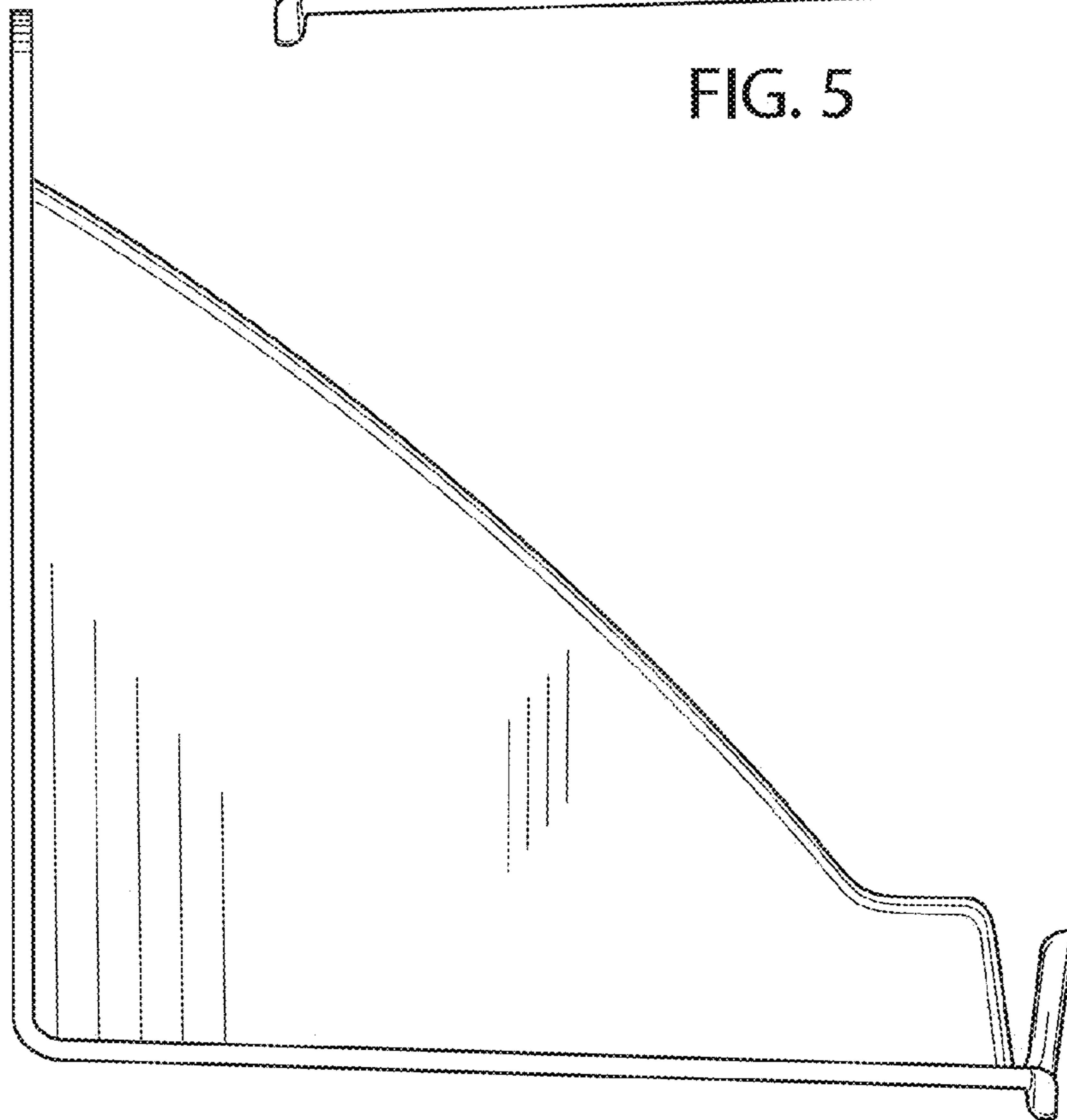


FIG. 6

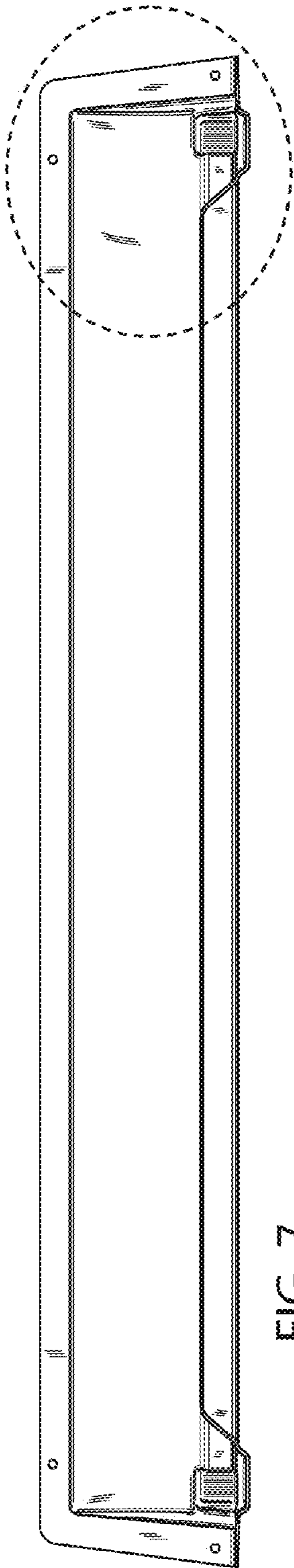


FIG. 7

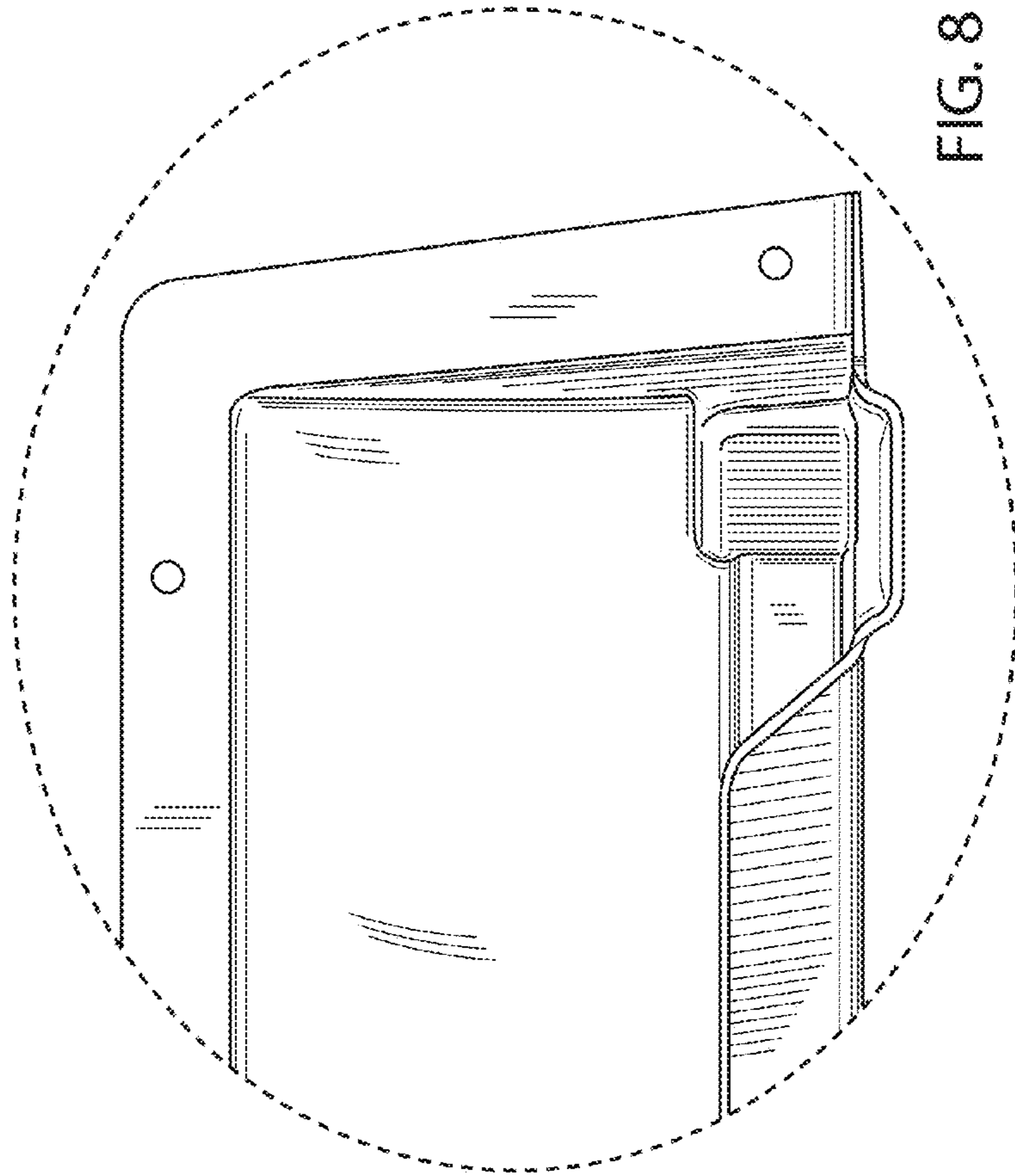


FIG. 8

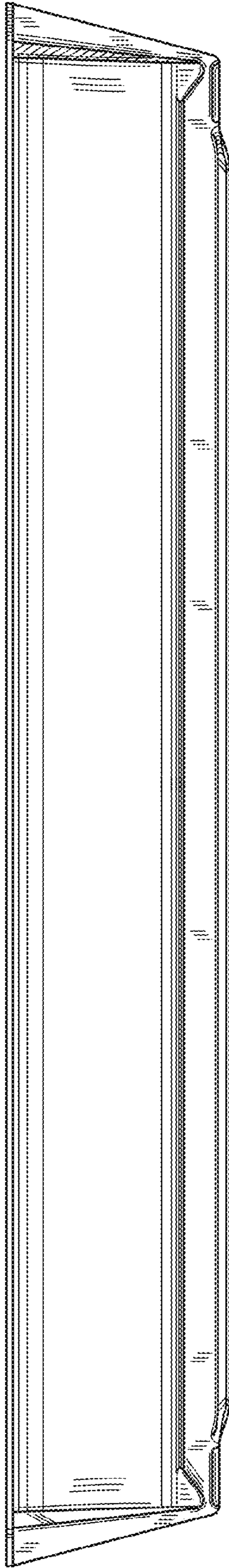


FIG. 9

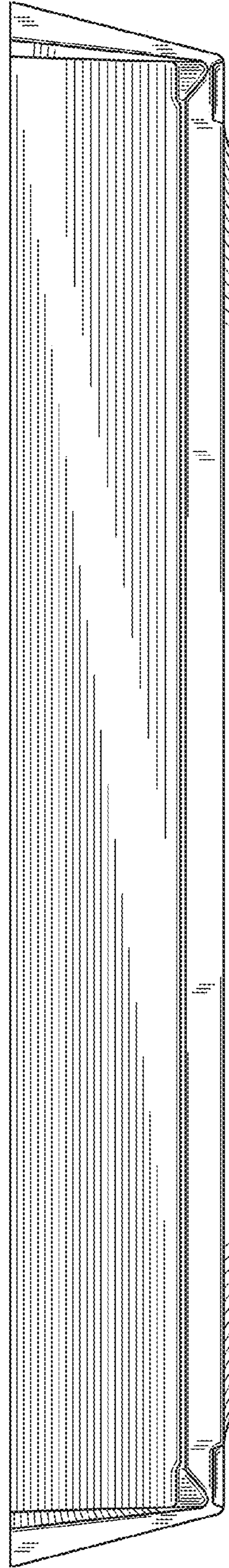


FIG. 10

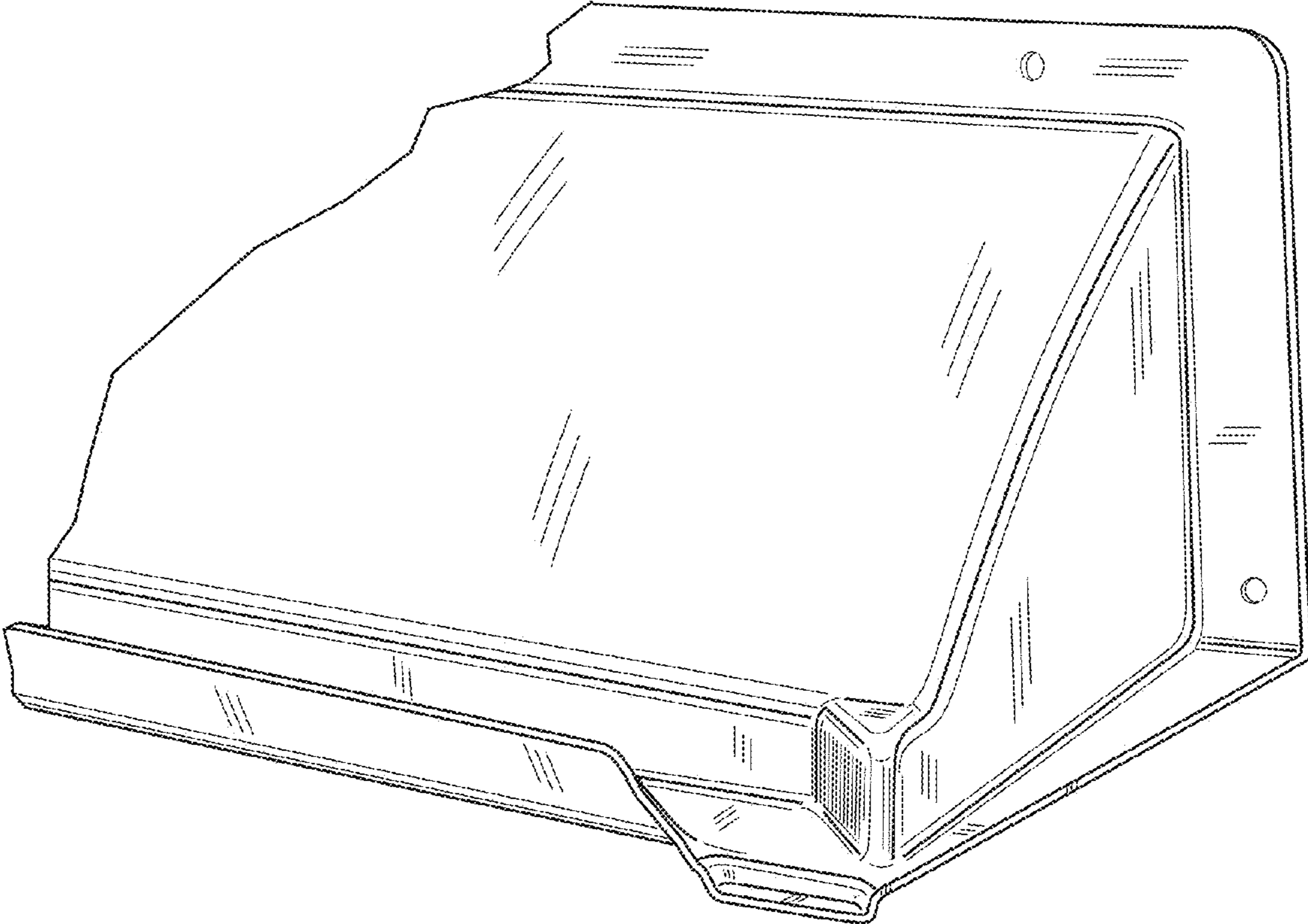


FIG. 11