



US00D686753S

(12) **United States Design Patent**  
**Schieren et al.**

(10) **Patent No.:** **US D686,753 S**  
(45) **Date of Patent:** **\*\* Jul. 23, 2013**

(54) **TOLL GATE**

(75) Inventors: **Juergen Schieren**, Munich (DE); **Mario Melkes**, Koppl (AT)

(73) Assignee: **Skidata AG**, Groedig/Salsburg (AT)

(\*\*) Term: **14 Years**

(21) Appl. No.: **29/422,671**

(22) Filed: **May 23, 2012**

(30) **Foreign Application Priority Data**

Nov. 28, 2011	(EM)	00195389400001
Nov. 28, 2011	(EM)	00195389400002
Nov. 28, 2011	(EM)	00195389400003
Nov. 28, 2011	(EM)	00195389400004

(51) **LOC (9) Cl.** ..... **25-02**

(52) **U.S. Cl.**  
USPC ..... **D25/48.5**

(58) **Field of Classification Search**  
USPC ..... D25/48.5, 48.6; 49/9, 31, 34, 36,  
49/38, 39, 47, 49; 52/64

See application file for complete search history.

(56) **References Cited**

U.S. PATENT DOCUMENTS

4,227,344 A *	10/1980	Poppke	49/9
D340,290 S *	10/1993	Rossiter	D25/48.5
7,814,706 B2 *	10/2010	Gamache	49/49

\* cited by examiner

*Primary Examiner* — Doris Clark

(74) *Attorney, Agent, or Firm* — Karl F. Milde, Jr.; Eckert Seamans Cherin & Mellott, LLC

(57) **CLAIM**

The ornamental design for a toll gate, as shown and described.

**DESCRIPTION**

FIG. 1 is a perspective view of the front side of the toll gate according to the design.

FIG. 2 is a perspective view of the rear side of the toll gate of FIG. 1.

FIG. 3 is a perspective view of a lateral side of the toll gate of FIG. 1.

FIG. 4 is a perspective view of the opposite lateral side of the toll gate of FIG. 1.

FIG. 5 is a perspective view of the top and front of the toll gate of FIG. 1; and,

FIG. 6 is a perspective view of the top and rear of the toll gate of FIG. 1.

**1 Claim, 6 Drawing Sheets**

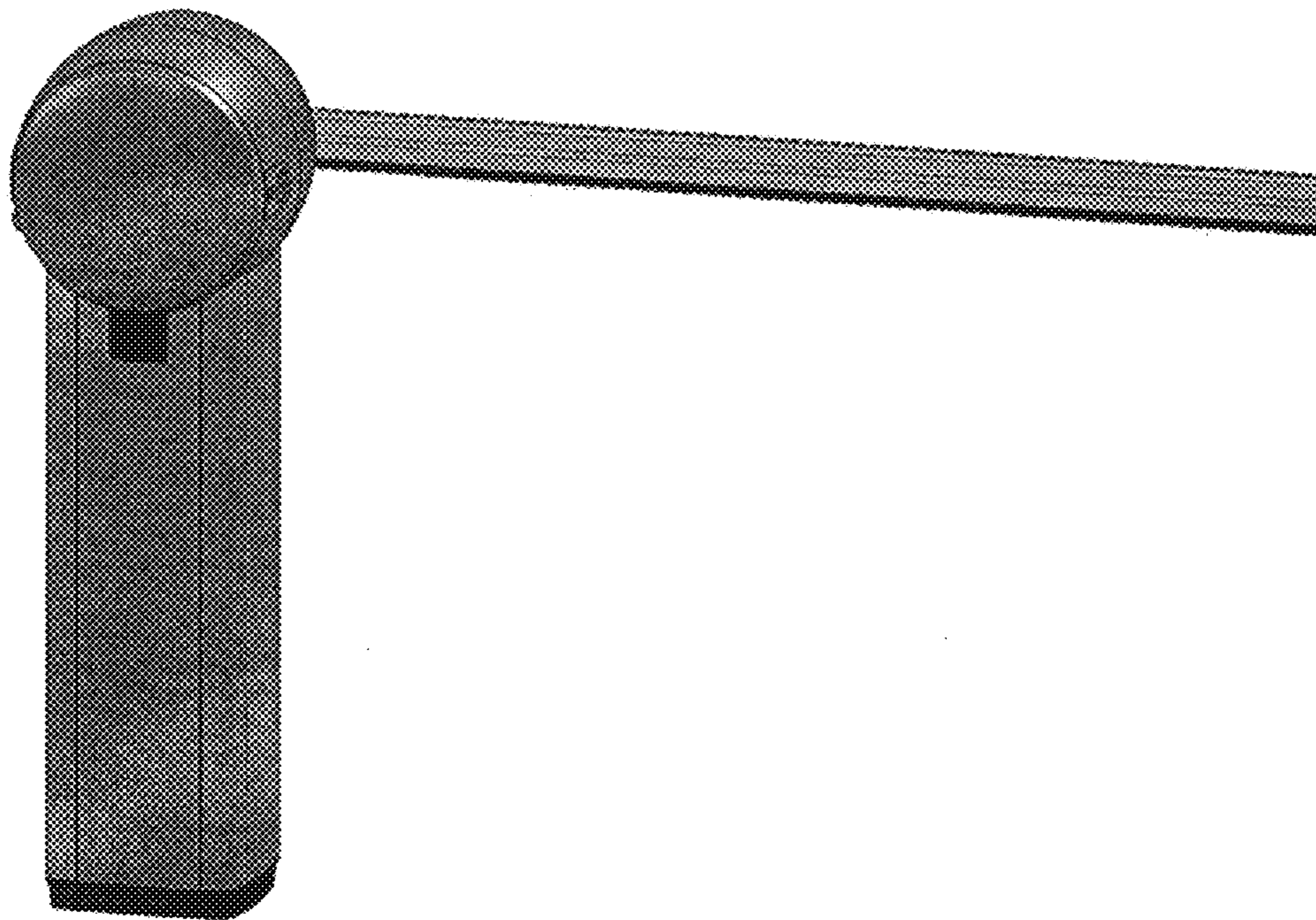




FIG. 1

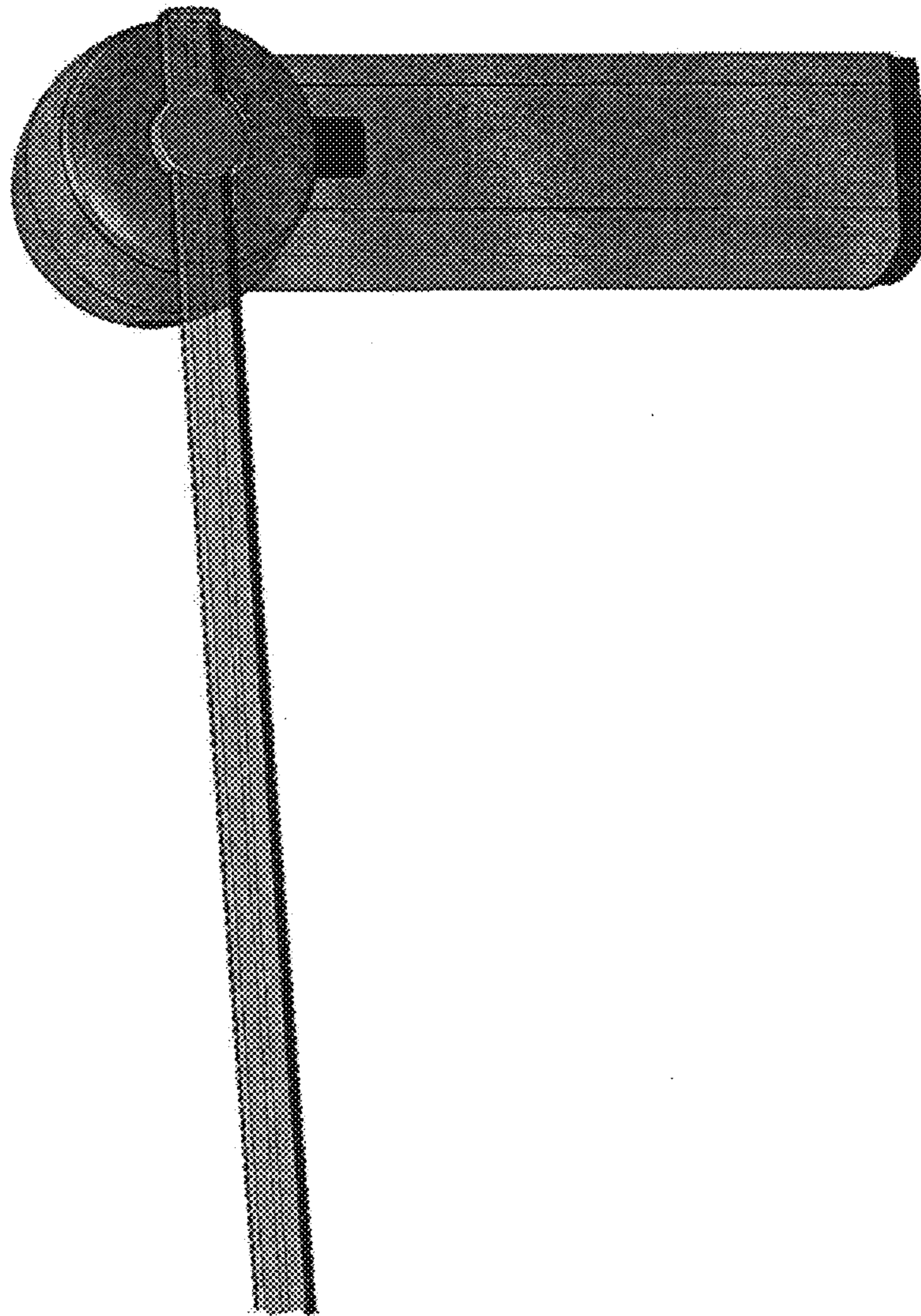


FIG. 2

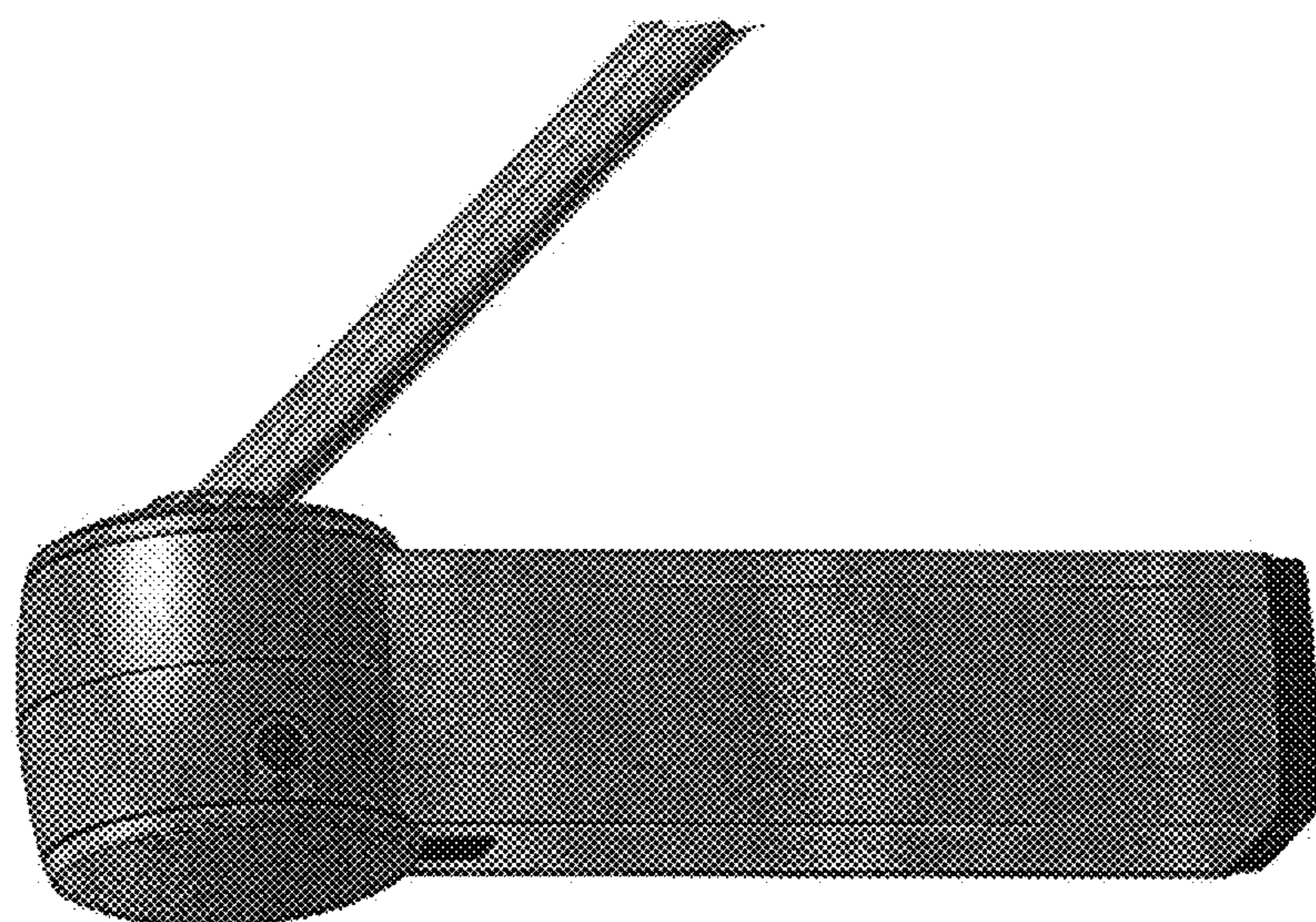


FIG. 3

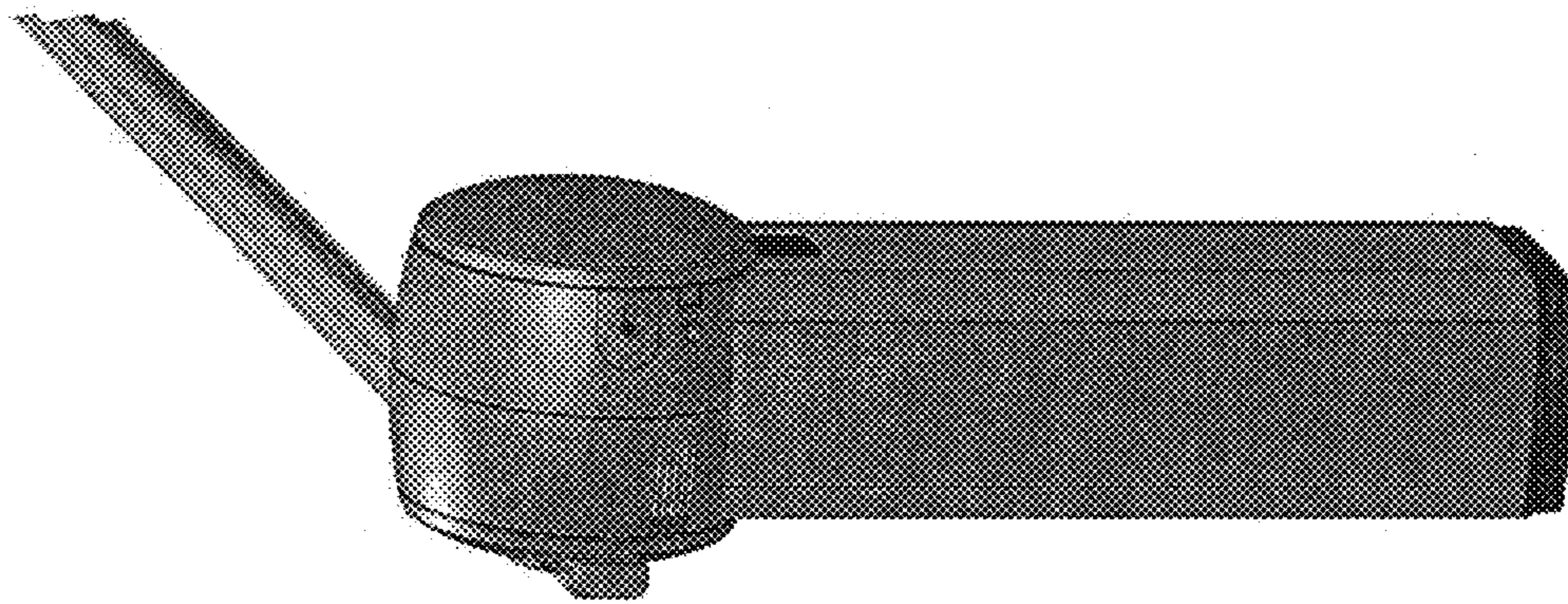


FIG. 4

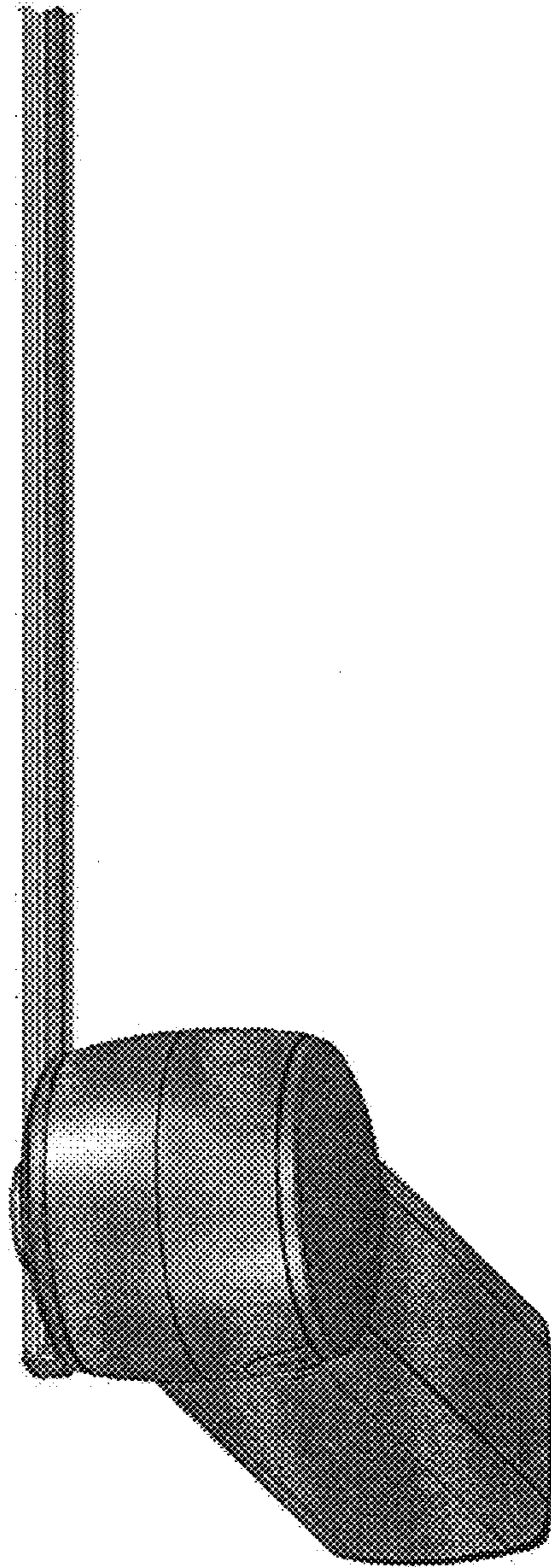


FIG. 5

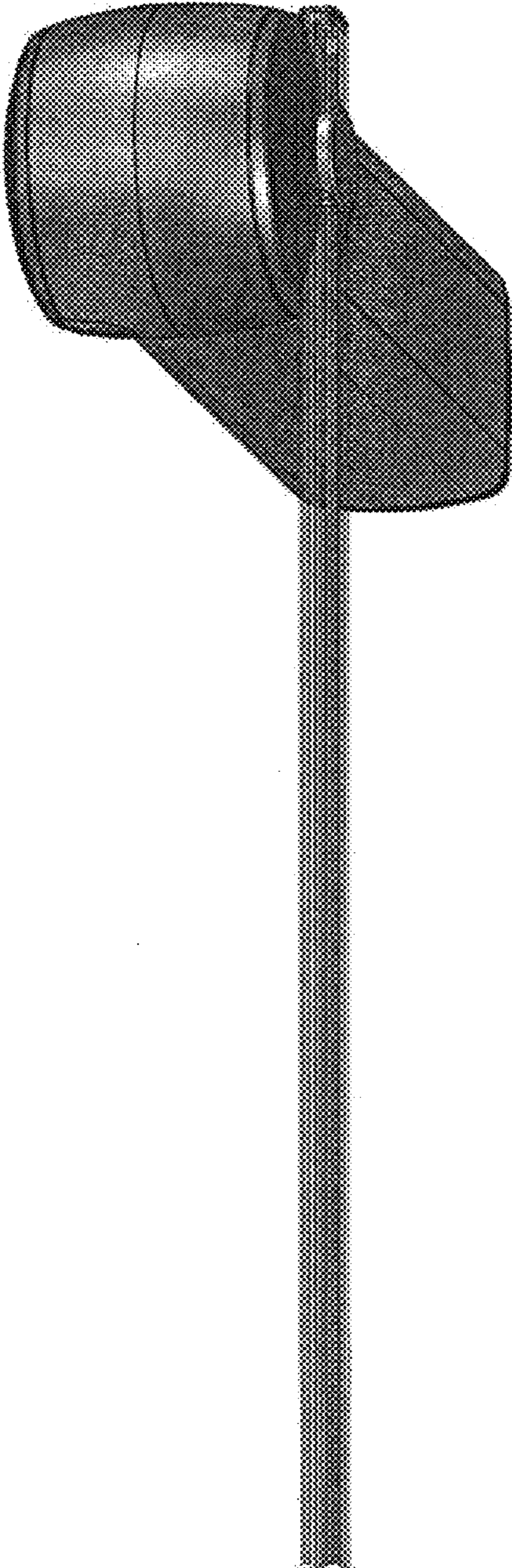


FIG. 6