



US00D686749S

(12) **United States Design Patent**  
**Trump**

(10) **Patent No.:** **US D686,749 S**

(45) **Date of Patent:** **\*\* Jul. 23, 2013**

(54) **RACK FOR HOLDING SHEATHS**

(71) Applicant: **Martin Trump**, Pforzheim (DE)

(72) Inventor: **Martin Trump**, Pforzheim (DE)

(73) Assignee: **STRATEC Biomedical AG**, Birkernfeld (DE)

(\*\*) Term: **14 Years**

(21) Appl. No.: **29/435,218**

(22) Filed: **Oct. 22, 2012**

(30) **Foreign Application Priority Data**

Apr. 20, 2012 (EP) ..... 002030023-0007

(51) **LOC (9) Cl.** ..... **24-02**

(52) **U.S. Cl.**  
USPC ..... **D24/230**

(58) **Field of Classification Search**  
USPC ..... D24/216, 224-232, 217; 422/553,  
422/562; 211/69, 71, 74, 71.01; 356/246;  
D28/61; 604/192  
See application file for complete search history.

(56) **References Cited**

**U.S. PATENT DOCUMENTS**

4,154,795	A *	5/1979	Thorne	.....	422/553
D264,810	S *	6/1982	Voltmann	.....	D24/226
4,545,958	A *	10/1985	Dopatka	.....	422/553
D282,579	S *	2/1986	Juergens	.....	D24/230
4,973,315	A *	11/1990	Sincock	.....	604/192
D313,651	S *	1/1991	Michelson	.....	D24/217
5,048,957	A *	9/1991	Berthold et al.	.....	356/246
5,169,603	A *	12/1992	Landsberger	.....	422/562
D332,664	S *	1/1993	Sincock	.....	D24/227

D337,165	S *	7/1993	Malinoff	.....	D24/227
D359,126	S *	6/1995	Hovatter	.....	D24/229
D420,743	S *	2/2000	Monks	.....	D24/224
D448,854	S *	10/2001	Kuiper et al.	.....	D24/230
D461,554	S *	8/2002	Lafond et al.	.....	D24/230
6,436,351	B1 *	8/2002	Gubernator et al.	.....	422/553
6,568,544	B1 *	5/2003	Lafond et al.	.....	211/74
D493,256	S *	7/2004	Kim	.....	D28/61
D556,338	S *	11/2007	Coulling et al.	.....	D24/230
D556,339	S *	11/2007	Coulling et al.	.....	D24/230
D566,851	S *	4/2008	Hawker et al.	.....	D24/230
D591,425	S *	4/2009	Hawker et al.	.....	D24/230
D622,860	S *	8/2010	Karpiloff	.....	D24/230
D628,306	S *	11/2010	Blanc et al.	.....	D24/230
D632,404	S *	2/2011	Karpiloff	.....	D24/230
D638,138	S *	5/2011	Wong	.....	D24/227
D639,447	S *	6/2011	Karpiloff	.....	D24/230
D653,767	S *	2/2012	Lovshe	.....	D24/230

\* cited by examiner

*Primary Examiner* — T. Chase Nelson

*Assistant Examiner* — Mark Cavanna

(74) *Attorney, Agent, or Firm* — 24IP Law Group; Timothy R. DeWitt

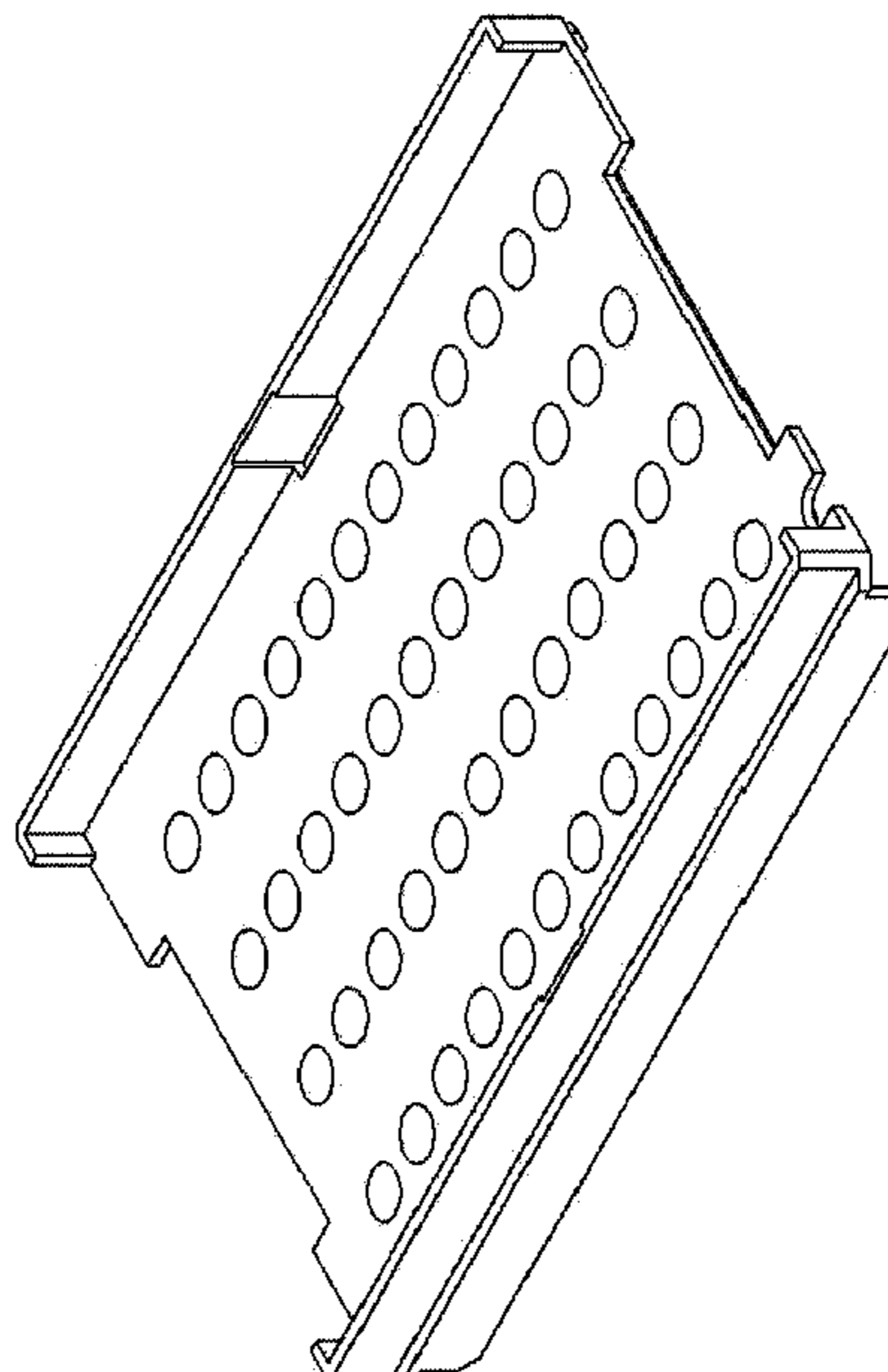
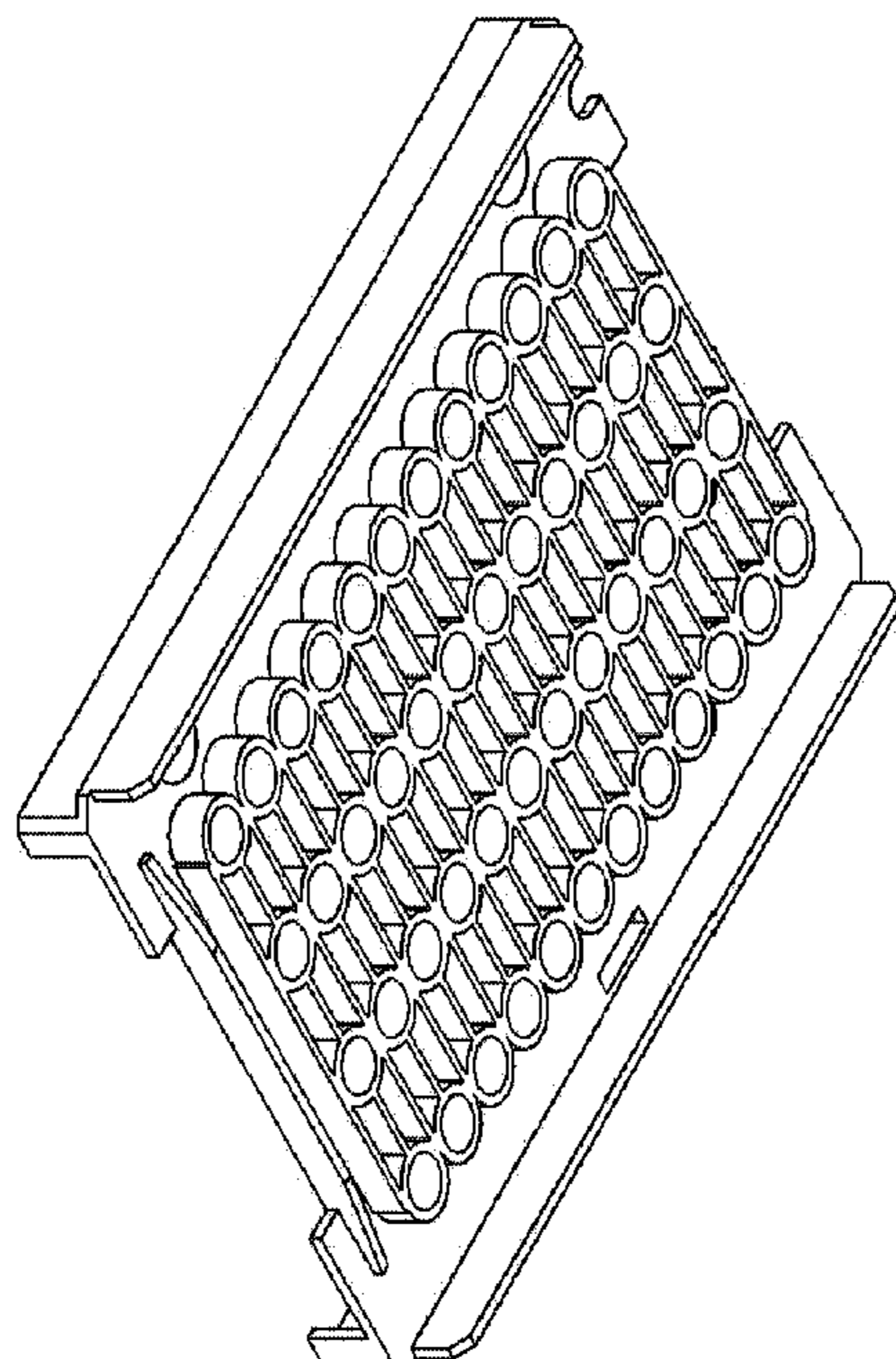
(57) **CLAIM**

The ornamental design for a rack for holding sheaths, as shown and described.

**DESCRIPTION**

FIG. 1 is a top view of the design;  
FIG. 2 is a bottom view of the design;  
FIG. 3 is a longitudinal side view of the design which is mirror symmetric on the other side;  
FIG. 4. is a first transversal side view;  
FIG. 5. is a second transversal side view;  
FIG. 6. is a first perspective view from the top; and,  
FIG. 7 is a second perspective view from the bottom.

**1 Claim, 7 Drawing Sheets**



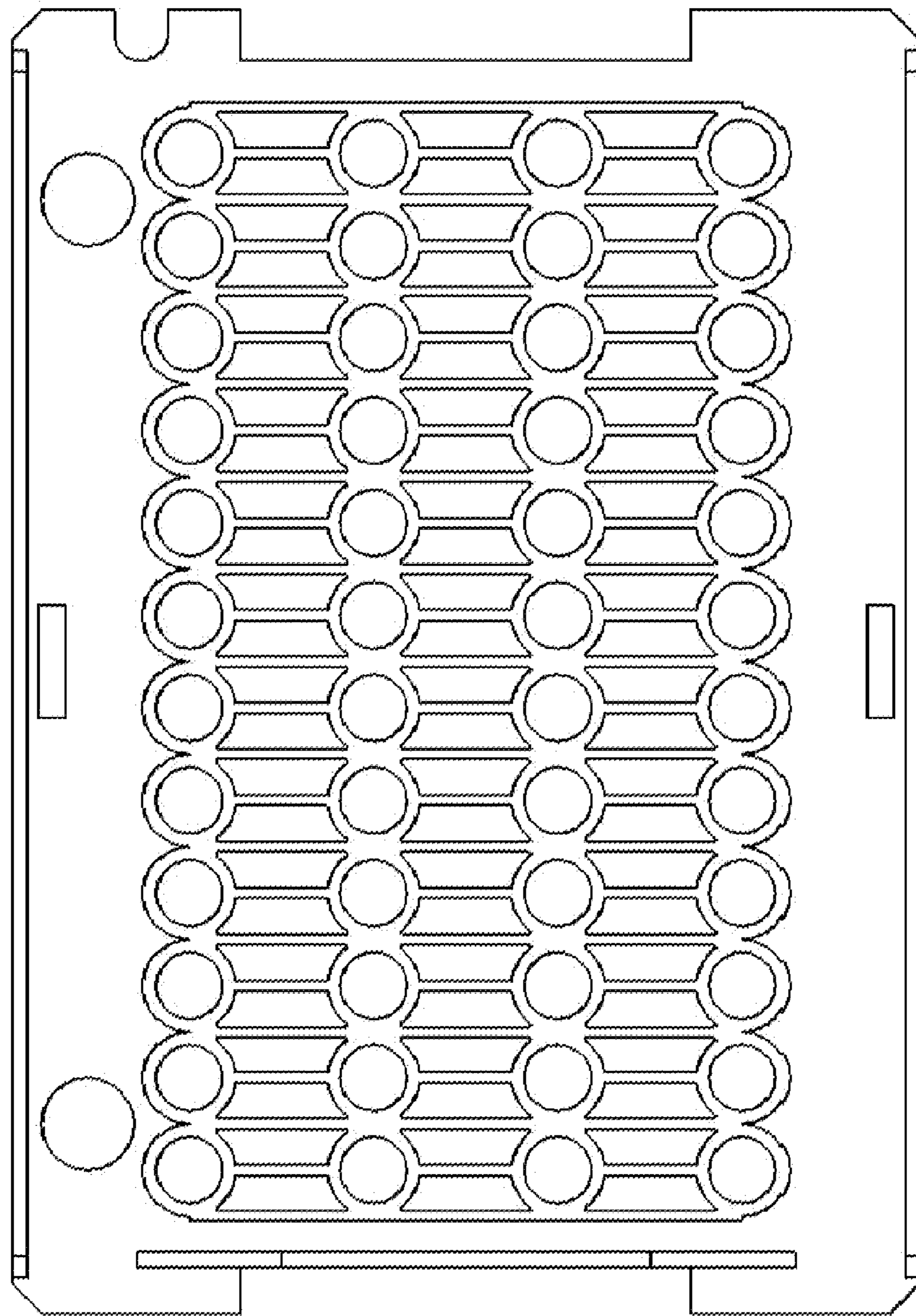


Fig. 1

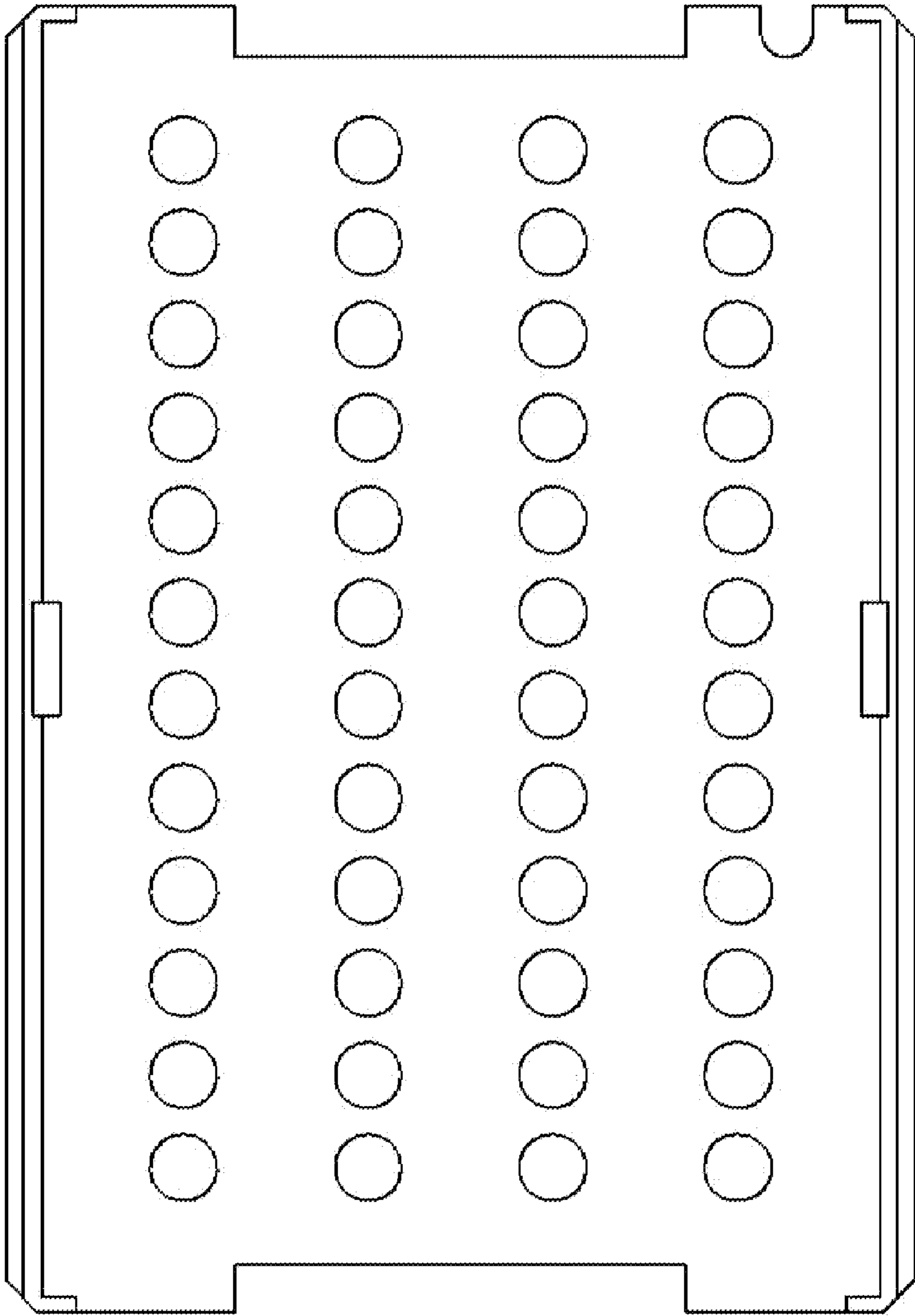


Fig. 2

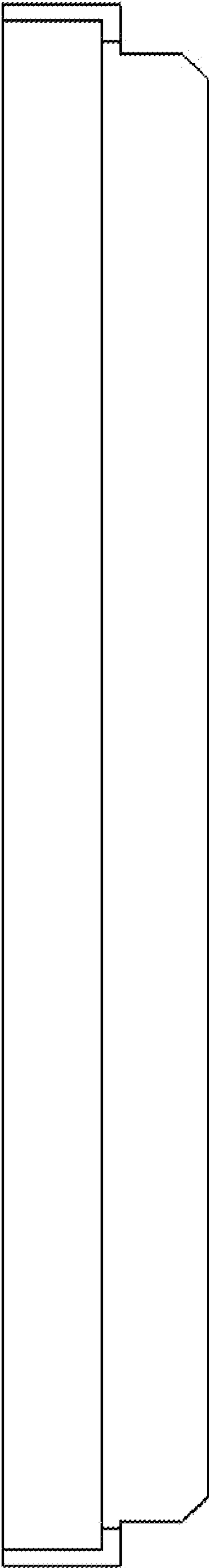


Fig. 3

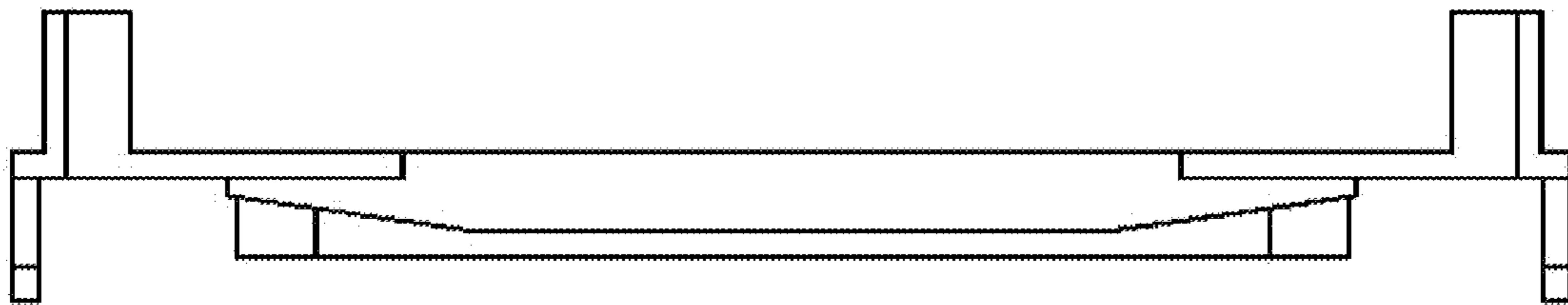


Fig. 4

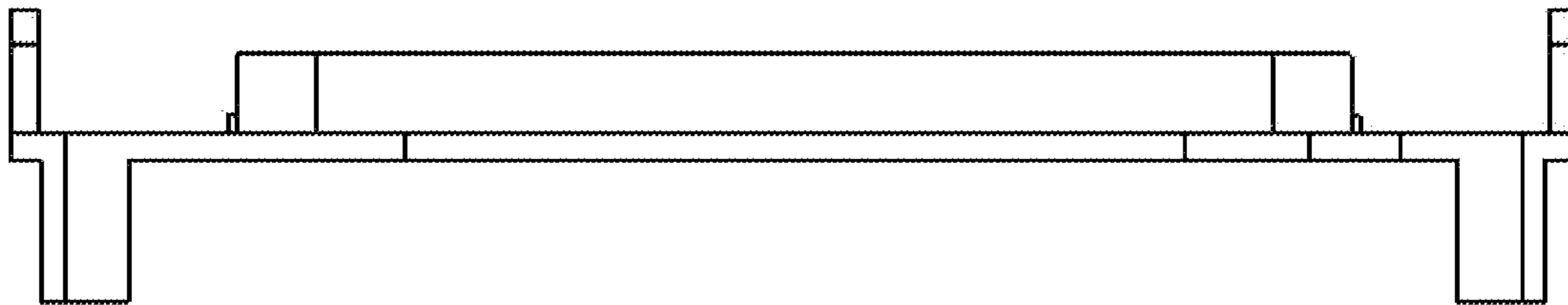


Fig. 5

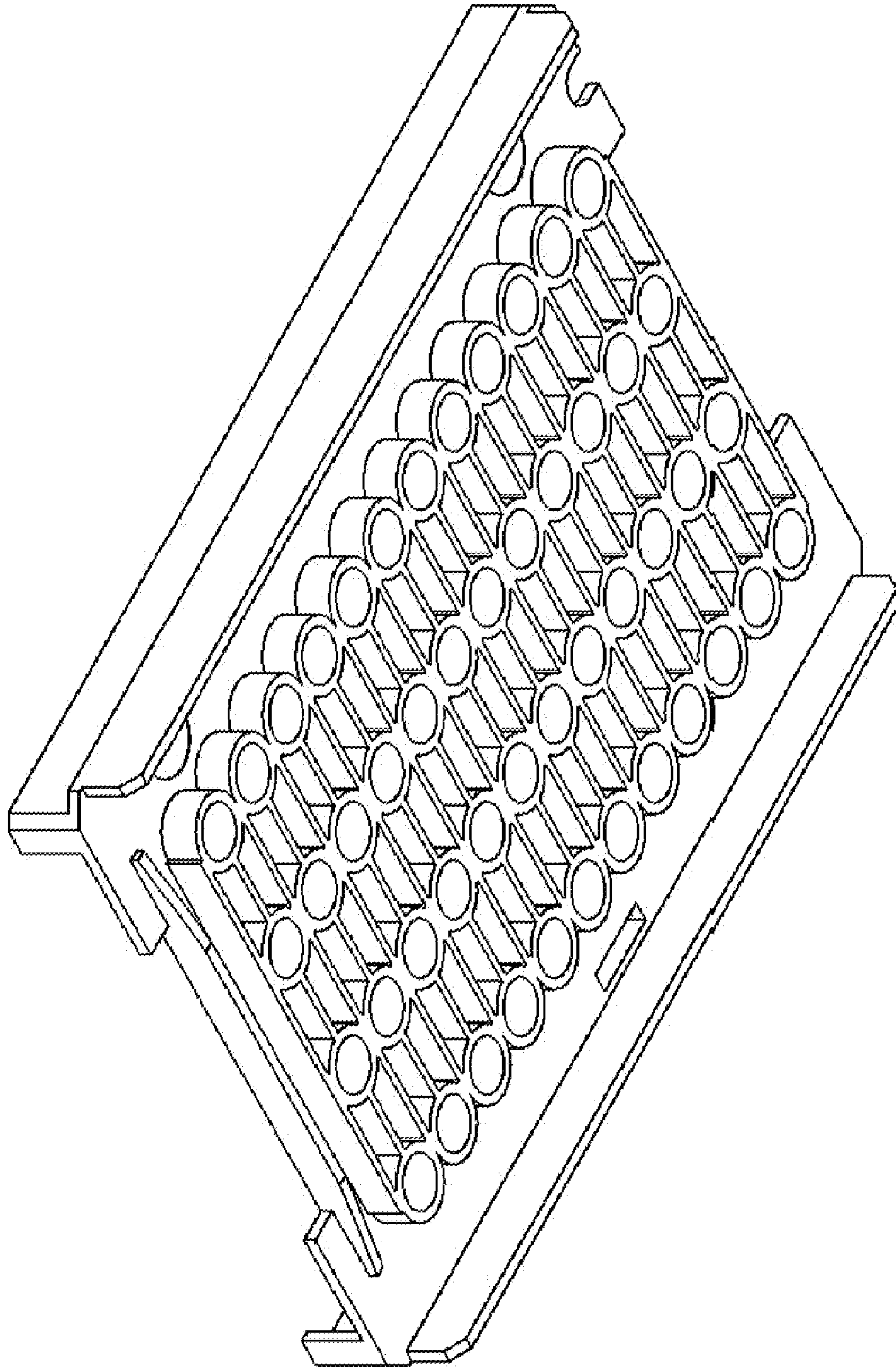


Fig. 6

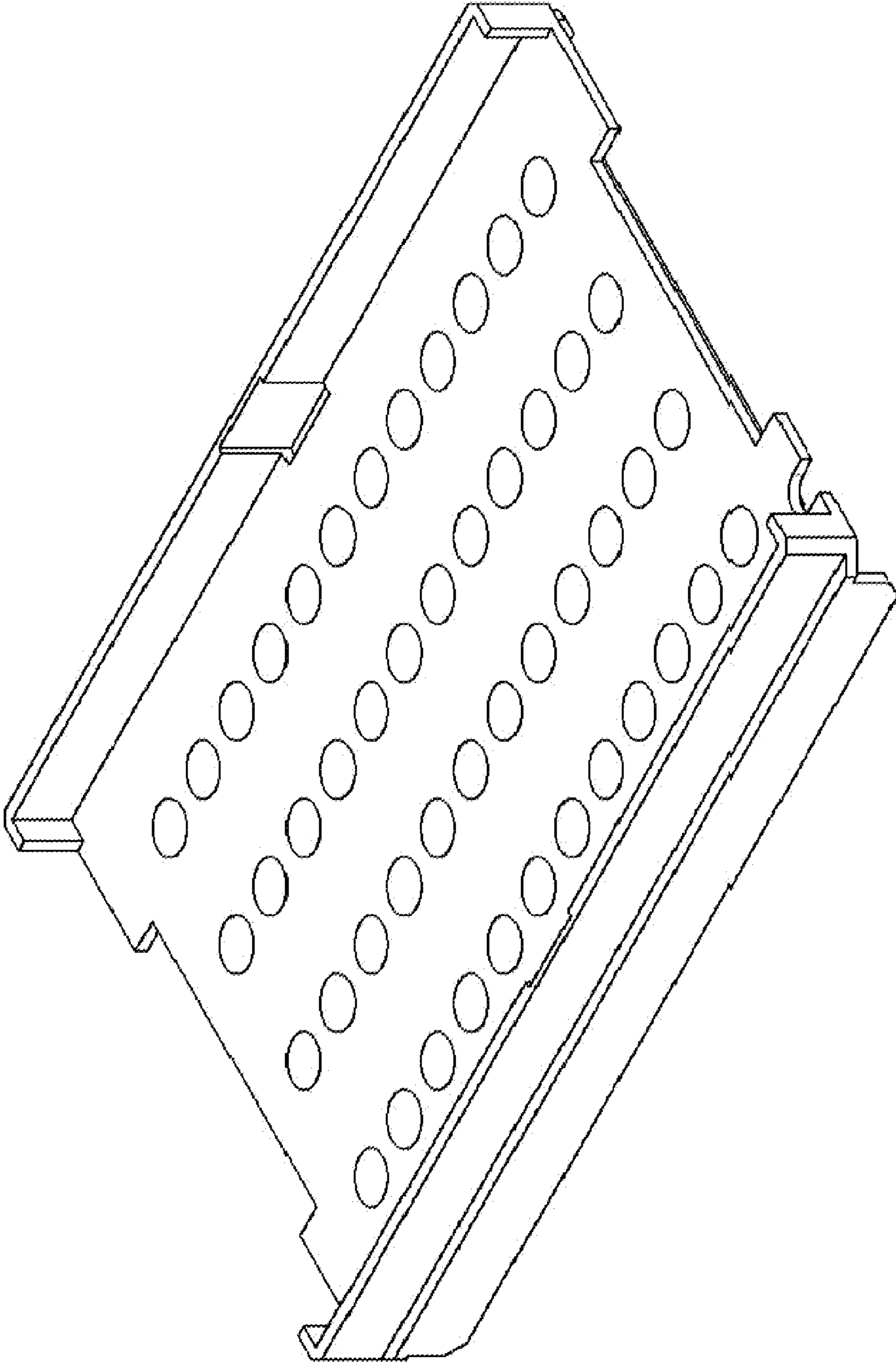


Fig. 7