



US00D686743S

(12) **United States Design Patent**
Gooch

(10) **Patent No.:** **US D686,743 S**

(45) **Date of Patent:** **** Jul. 23, 2013**

(54) **STERILIZER**

(75) Inventor: **David Gooch**, Cambridge (GB)

(73) Assignee: **NEWCO**, Nantes (FR)

(**) Term: **14 Years**

(21) Appl. No.: **29/406,207**

(22) Filed: **Nov. 10, 2011**

(30) **Foreign Application Priority Data**

May 12, 2011 (EM) 001863028-0002

(51) **LOC (9) Cl.** **24-01**

(52) **U.S. Cl.**

USPC **D24/217**

(58) **Field of Classification Search**

USPC D24/216-218, 186, 194; D3/201,
D3/203.1, 203.2, 294; D9/502, 503, 504,
D9/420; 422/24, 26, 27, 307; 250/455.11;
206/207, 209, 5.1; D32/1; D28/73

See application file for complete search history.

(56) **References Cited**

U.S. PATENT DOCUMENTS

D365,882 S * 1/1996 Allegre D24/217
D434,854 S * 12/2000 Muller D24/218
D452,373 S * 12/2001 Horntrich D3/294

D465,282 S * 11/2002 Cecchi D24/216
D473,054 S * 4/2003 Roehrig D3/294
D554,762 S * 11/2007 Delaney D24/217
D575,912 S * 8/2008 Mangano D32/1
D622,859 S * 8/2010 Feller et al. D24/217

* cited by examiner

Primary Examiner — Anhdao Doan

(74) *Attorney, Agent, or Firm* — Oblon, Spivak,
McClelland, Maier & Neustadt, L.L.P.

(57) **CLAIM**

The ornamental design for a sterilizer, as shown and described.

DESCRIPTION

FIG. 1 is a front, top, and left side perspective view of a sterilizer;

FIG. 2 is a top plan view thereof;

FIG. 3 is a bottom plan view thereof;

FIG. 4 is a left side elevational view thereof, the right side elevational view being a mirror image of the left side elevational view shown; and,

FIG. 5 is a front elevational view thereof; the rear elevational view being a mirror image of the front elevational view shown.

The broken lines in the drawings depict environmental subject matter only and form no part of the claimed design.

1 Claim, 5 Drawing Sheets

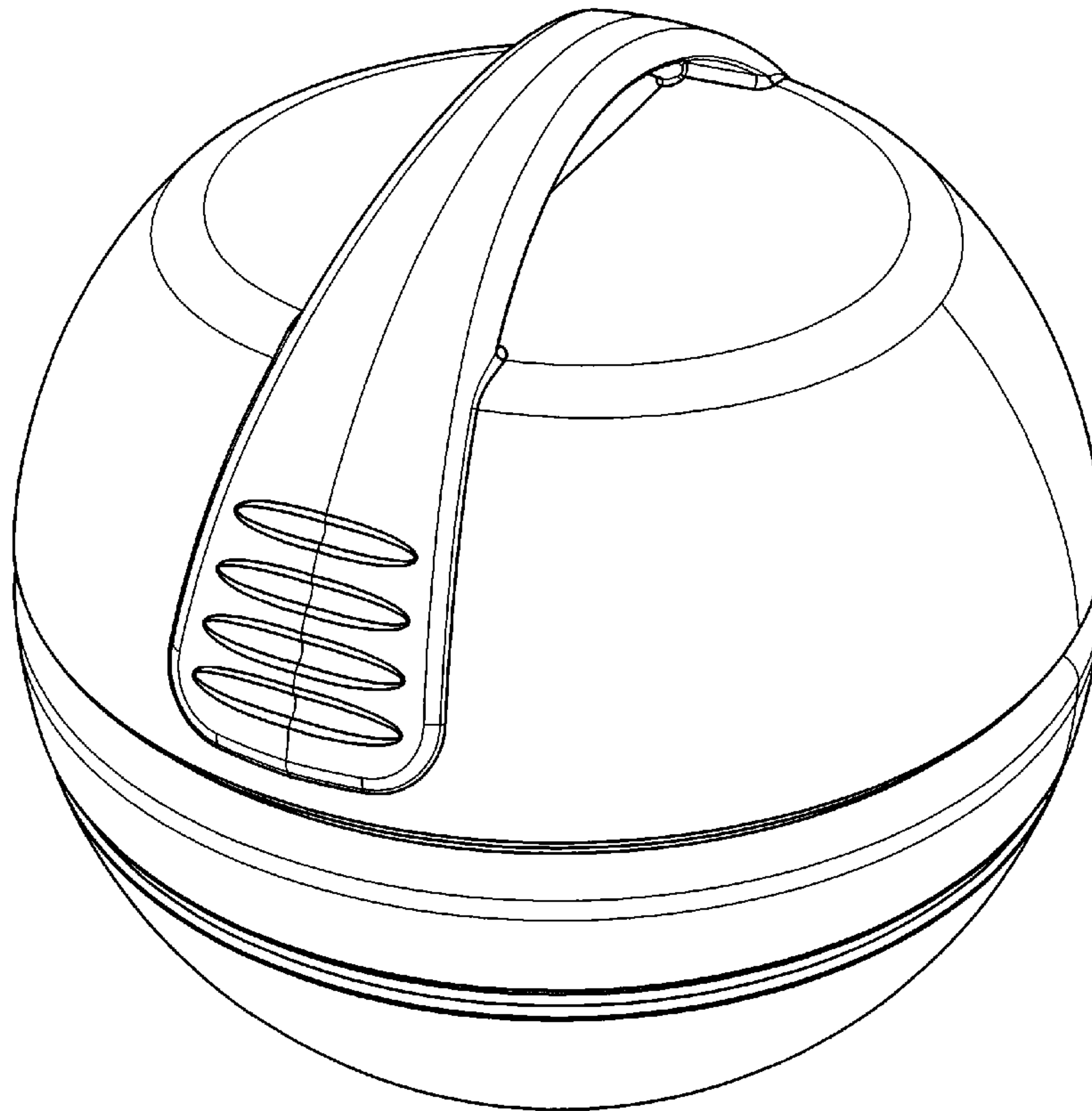


Fig 1

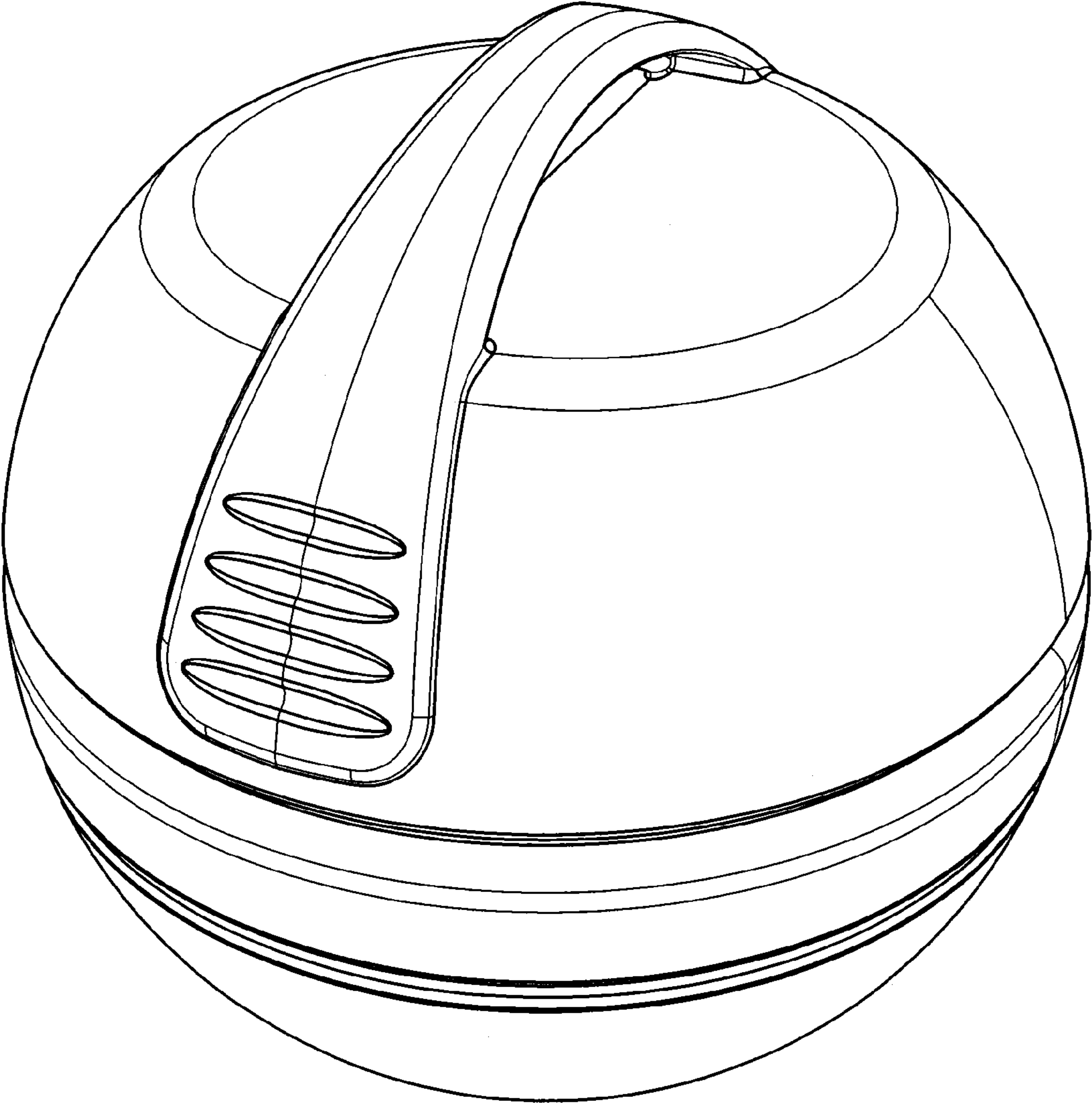


Fig 2

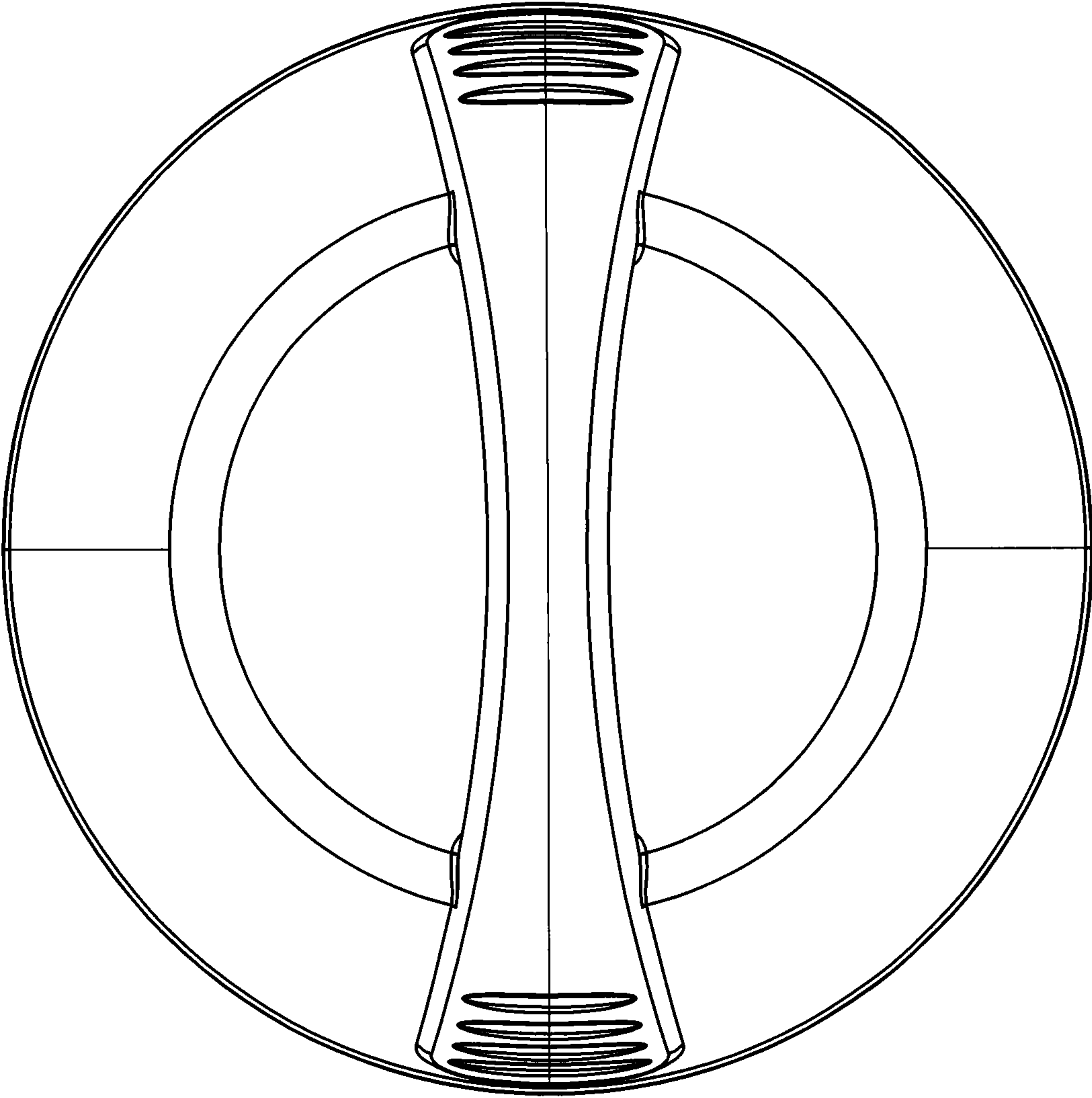


Fig 3

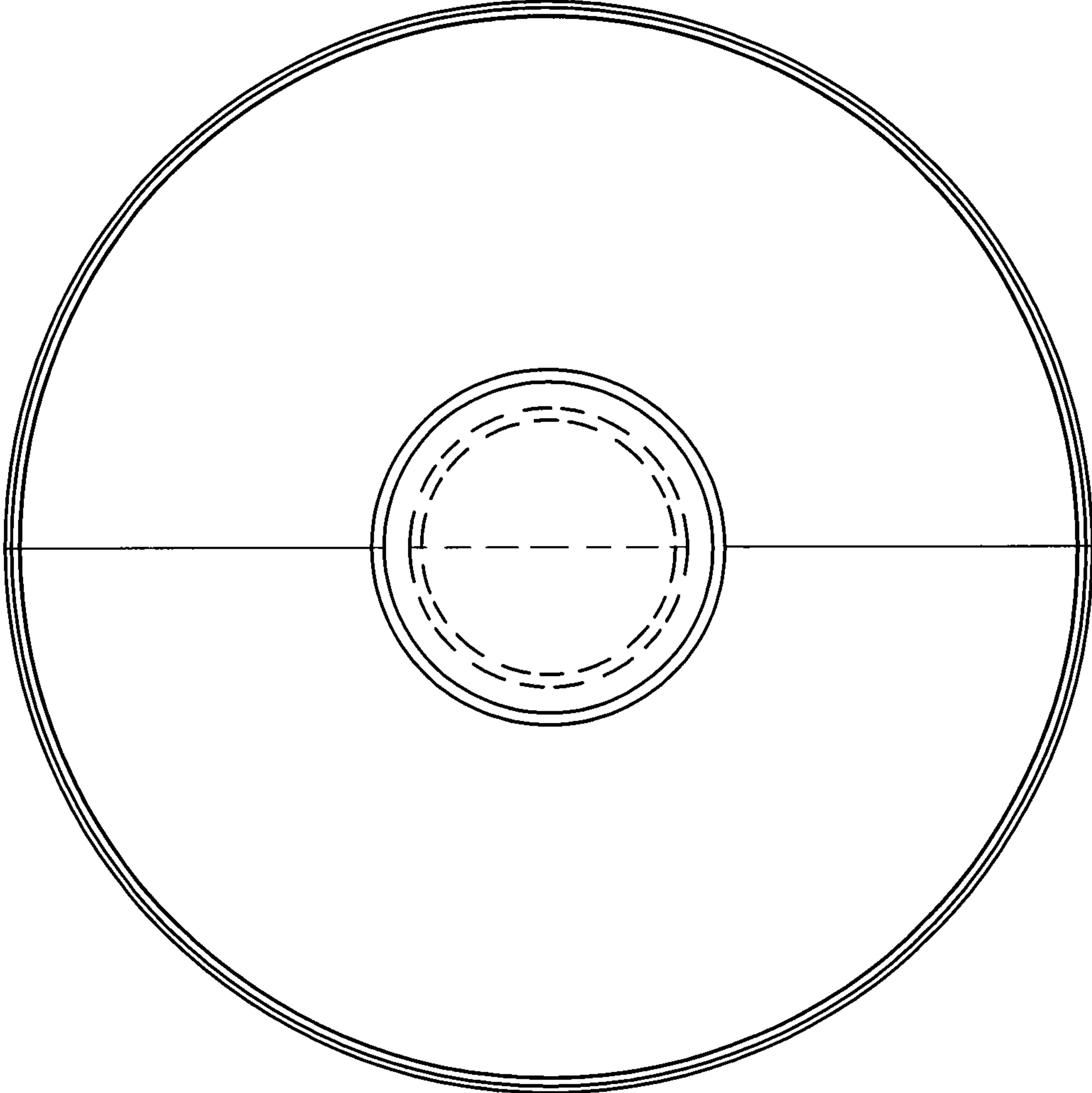


Fig 4

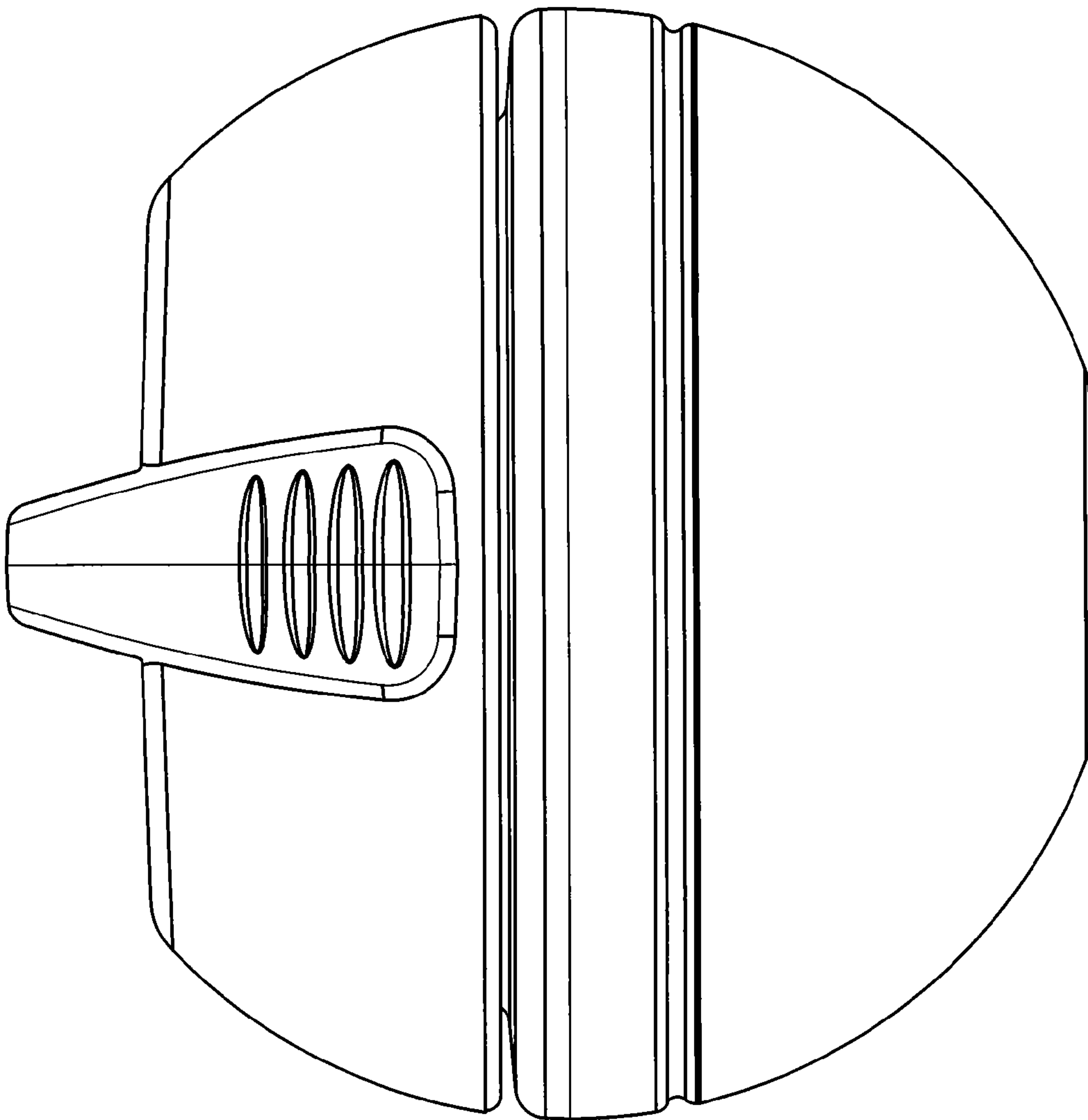


Fig 5

