



US00D686737S

(12) **United States Design Patent**  
**Nasir**

(10) **Patent No.:** **US D686,737 S**  
(45) **Date of Patent:** **\*\* Jul. 23, 2013**

(54) **ARM RESTRAINT FOR A PATIENT**

(75) Inventor: **Muhammed Aslam Nasir**, Bedfordshire (GB)

(73) Assignee: **Docsinnovent Limited** (GB)

(\*\*) Term: **14 Years**

(21) Appl. No.: **29/400,089**

(22) Filed: **Aug. 23, 2011**

(30) **Foreign Application Priority Data**

Feb. 23, 2011 (EM) ..... 001825126-0001  
Feb. 23, 2011 (EM) ..... 001825126-0002  
Feb. 23, 2011 (EM) ..... 001825126-0003

(51) **LOC (9) Cl.** ..... **24-01**

(52) **U.S. Cl.**  
USPC ..... **D24/190**

(58) **Field of Classification Search**  
USPC ..... D24/190-192; D29/100, 113-114,  
D29/120.1-120.2; D21/662; 128/869, 876-881;  
473/212, 214, 215, 217, 450, 458; 602/26,  
602/62  
See application file for complete search history.

(56) **References Cited**

**U.S. PATENT DOCUMENTS**

1,414,012 A \* 4/1922 Flint ..... 473/214  
1,418,637 A \* 6/1922 Flood ..... 473/213  
2,693,794 A \* 11/1954 Neville ..... 600/499  
D230,894 S \* 3/1974 Lehneis ..... D24/190  
4,014,327 A \* 3/1977 Spiro ..... 602/62  
D245,429 S \* 8/1977 Arluck ..... D24/190  
4,239,228 A \* 12/1980 Norman et al. .... 473/212

4,414,969 A \* 11/1983 Heyman ..... 128/878  
4,765,279 A \* 8/1988 Klickstein ..... 119/770  
4,911,728 A \* 3/1990 Rigel ..... 473/458  
5,007,415 A \* 4/1991 Marion ..... 602/26  
5,016,885 A \* 5/1991 Quigley ..... 473/217  
5,263,497 A \* 11/1993 Grabenkort et al. .... 128/877  
D352,572 S \* 11/1994 Pustizzi, Jr. .... D29/120.2  
5,435,563 A \* 7/1995 Salvatore ..... 473/215  
6,695,797 B2 \* 2/2004 Trieloff ..... 601/27  
6,846,254 B2 \* 1/2005 Baxter ..... 473/450  
6,984,184 B2 \* 1/2006 Gray ..... 473/458  
D629,913 S \* 12/2010 Beckwith et al. .... D24/192  
D664,612 S \* 7/2012 Pinskiy et al. .... D21/662  
2007/0000500 A1 \* 1/2007 Richard ..... 128/869  
2009/0197692 A1 \* 8/2009 Eck ..... 473/212

\* cited by examiner

*Primary Examiner* — Susan E Krakower

(74) *Attorney, Agent, or Firm* — Belles Katz LLC

(57) **CLAIM**

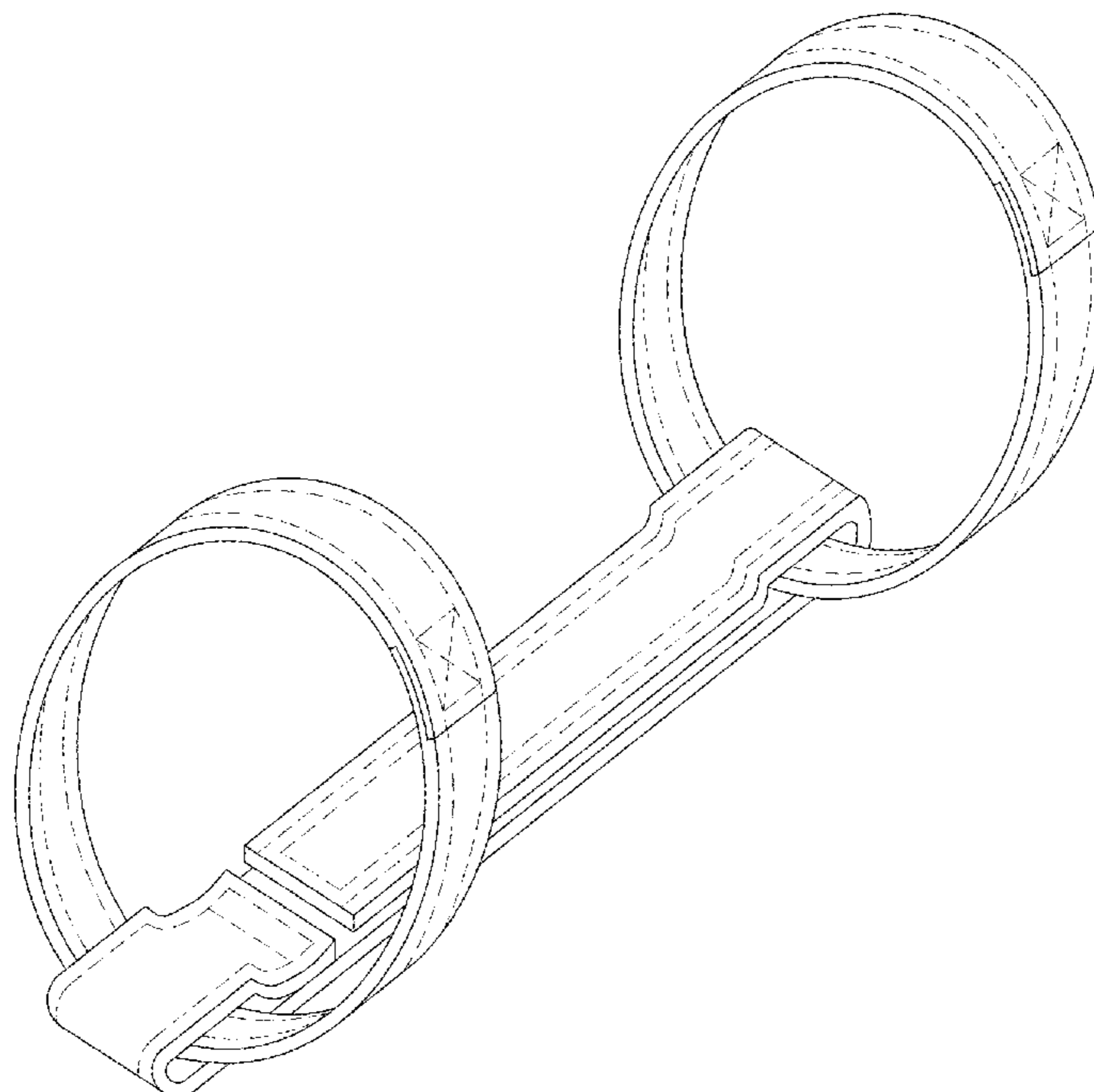
The ornamental design for an arm restraint for a patient, as shown and described.

**DESCRIPTION**

FIG. 1 is a top, front isometric view of an arm restraint for a patient showing my new design;  
FIG. 2 is a front view thereof;  
FIG. 3 is a rear view thereof;  
FIG. 4 is a top view thereof;  
FIG. 5 is a bottom view thereof;  
FIG. 6 is a right side view thereof; and,  
FIG. 7 is a left side view thereof.

The broken lines shown in the drawings illustrate a disclaimed stitching pattern that forms no part of the claimed design.

**1 Claim, 7 Drawing Sheets**



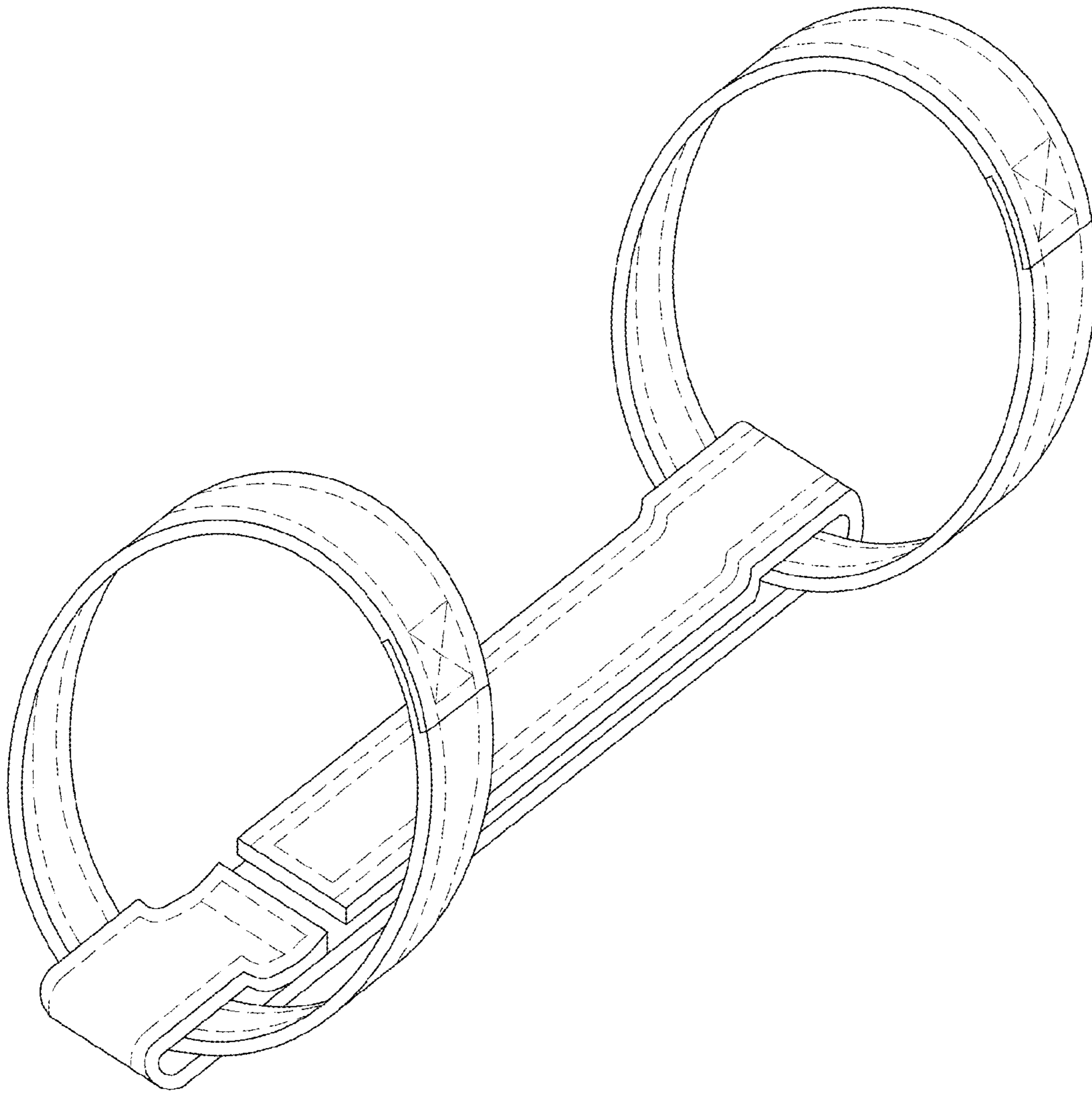


FIGURE 1

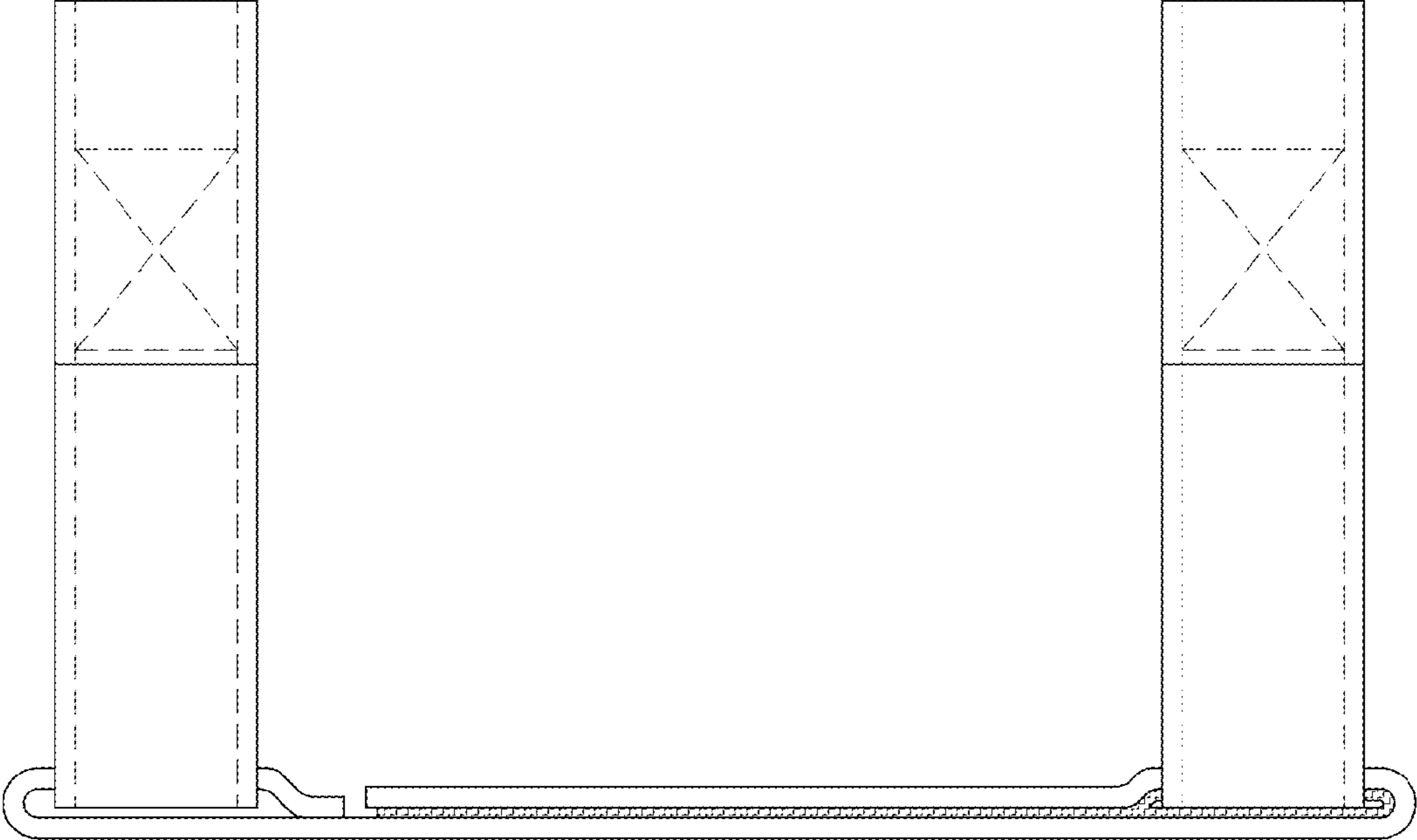


FIGURE 2

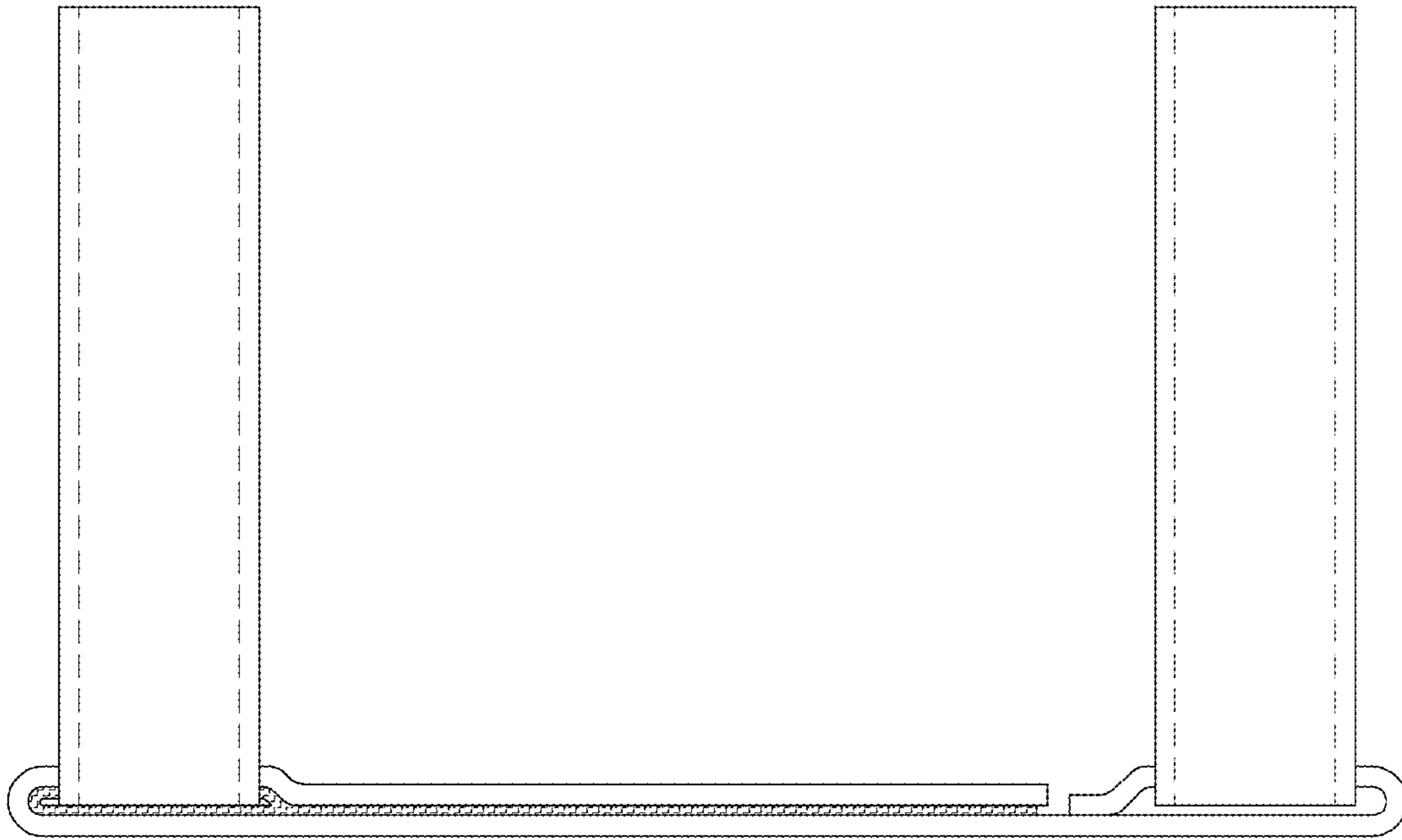


FIGURE 3

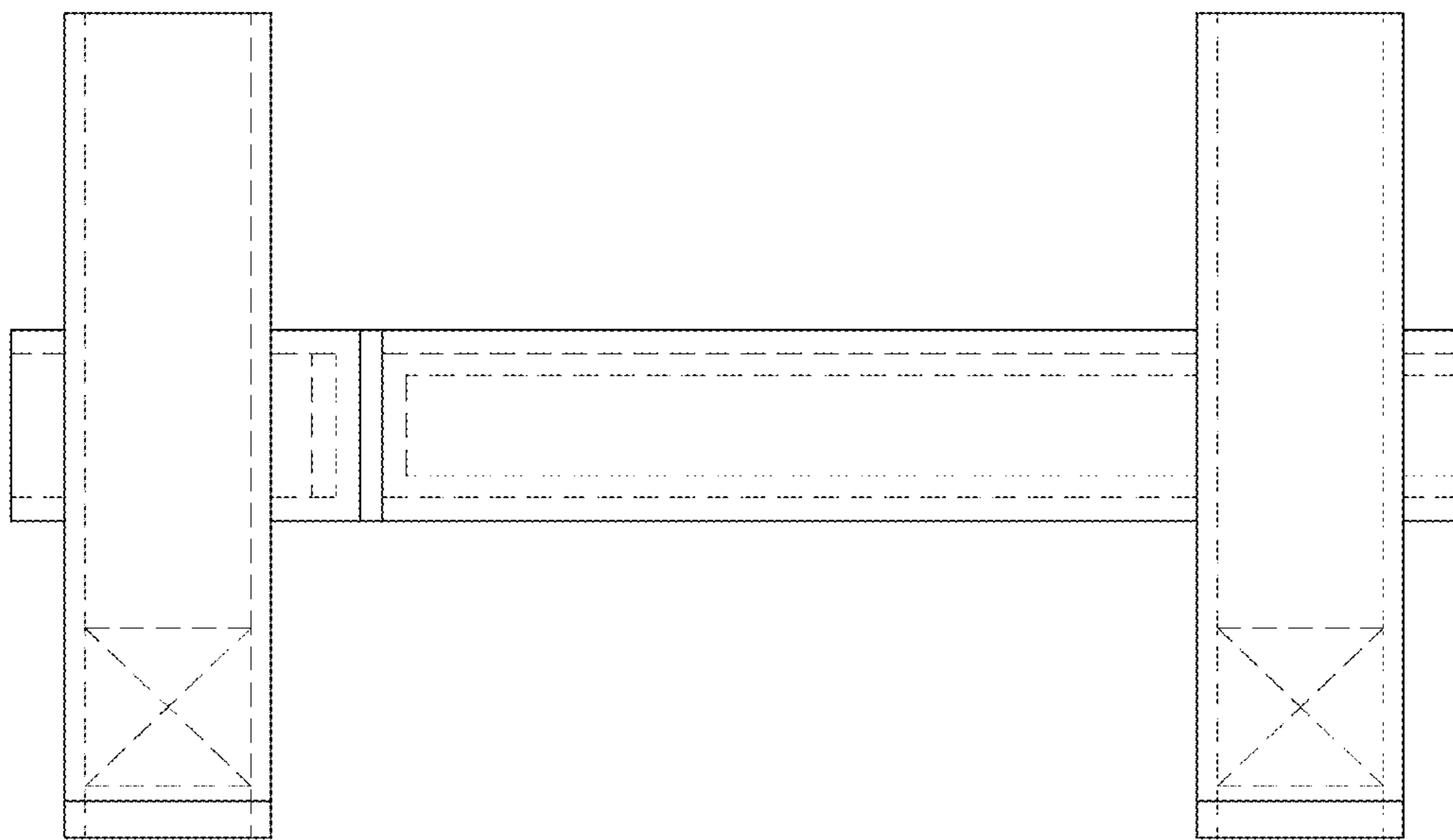


FIGURE 4

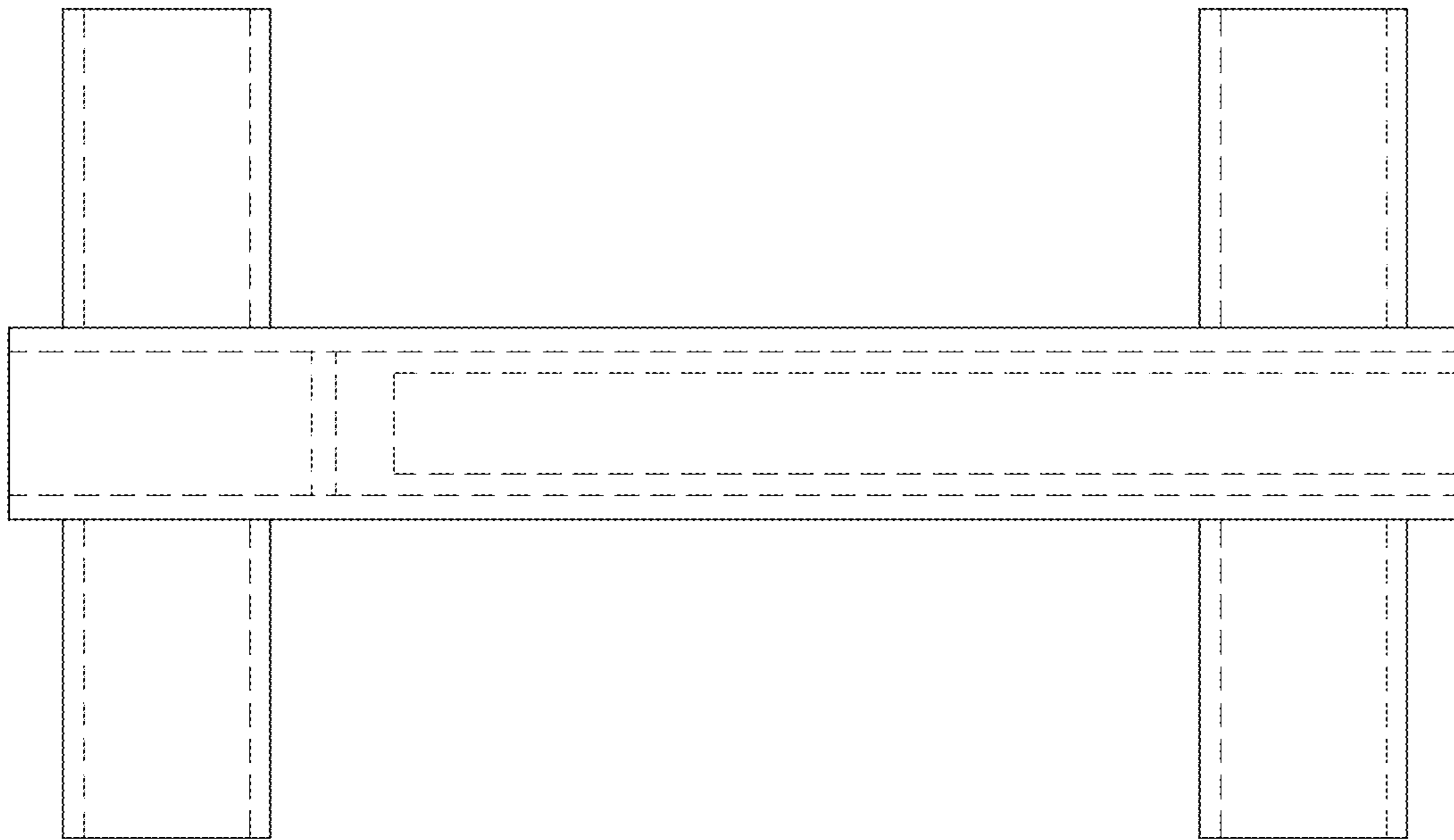


FIGURE 5

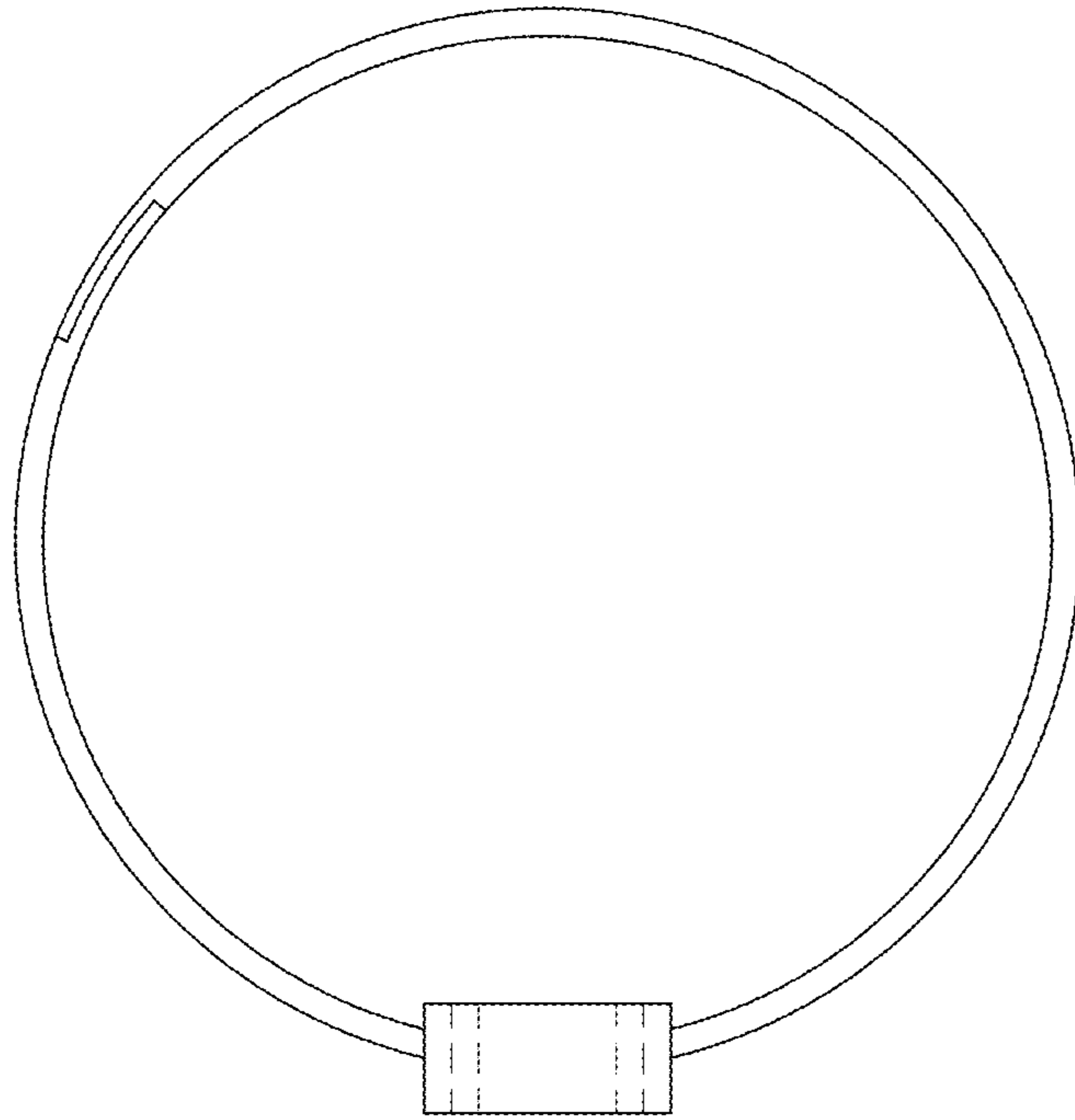


FIGURE 6

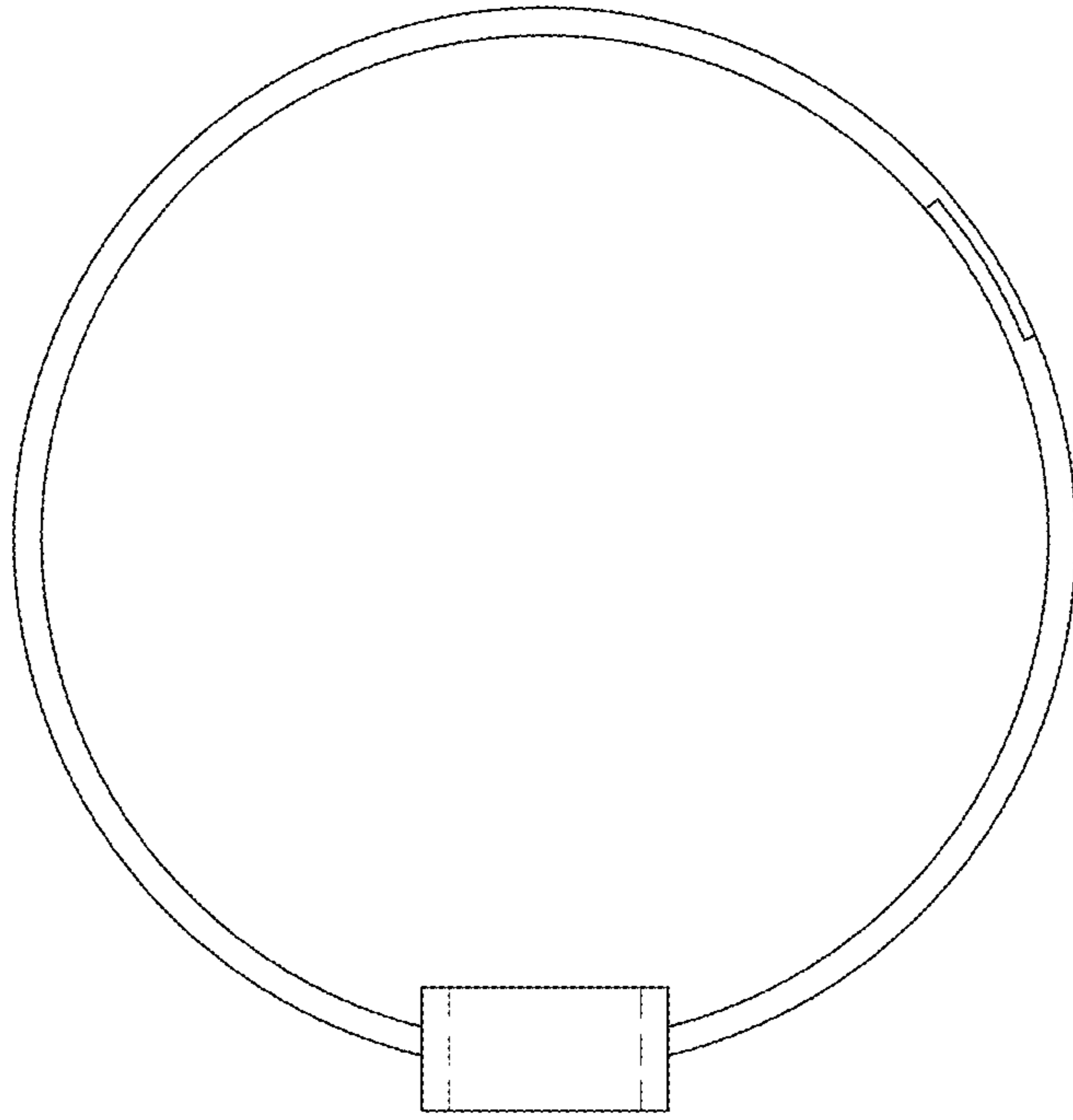


FIGURE 7