



US00D686733S

(12) **United States Design Patent**
Marumori et al.

(10) **Patent No.:** **US D686,733 S**
(45) **Date of Patent:** **** Jul. 23, 2013**

(54) **TRAY FOR COLLECTING A DENTAL IMPRESSION**

(75) Inventors: **Hidefumi Marumori**, Yokohama (JP);
Hiroshi Kamohara, Tokyo (JP)

(73) Assignee: **GC Corporation**, Tokyo (JP)

(**) Term: **14 Years**

(21) Appl. No.: **29/425,716**

(22) Filed: **Jun. 26, 2012**

(30) **Foreign Application Priority Data**

Dec. 26, 2011 (JP) 2011-029991

(51) **LOC (9) Cl.** **24-02**

(52) **U.S. Cl.**
USPC **D24/181**

(58) **Field of Classification Search**
USPC D24/152, 155–156, 176, 180–181;
433/37–38, 41, 42, 47–48, 71, 213–214
See application file for complete search history.

(56) **References Cited**

U.S. PATENT DOCUMENTS

5,102,335	A *	4/1992	Getz	433/38
5,336,086	A *	8/1994	Simmen et al.	433/37
D372,088	S *	7/1996	Frush	D24/181
D372,096	S *	7/1996	Frush	D24/181
D571,473	S *	6/2008	Wilkins	D24/181

D631,550	S *	1/2011	Massad	D24/181
D632,395	S *	2/2011	Massad	D24/181
2012/0148978	A1 *	6/2012	Suchan et al.	433/38

OTHER PUBLICATIONS

U.S. Appl. No. 29/425,723, filed Jun. 26, 2012, Marumori, et al.
U.S. Appl. No. 29/425,712, filed Jun. 26, 2012, Marumori, et al.

* cited by examiner

Primary Examiner — Wan Laymon

(74) *Attorney, Agent, or Firm* — Oblon, Spivak,
McClelland, Maier & Neustadt, L.L.P.

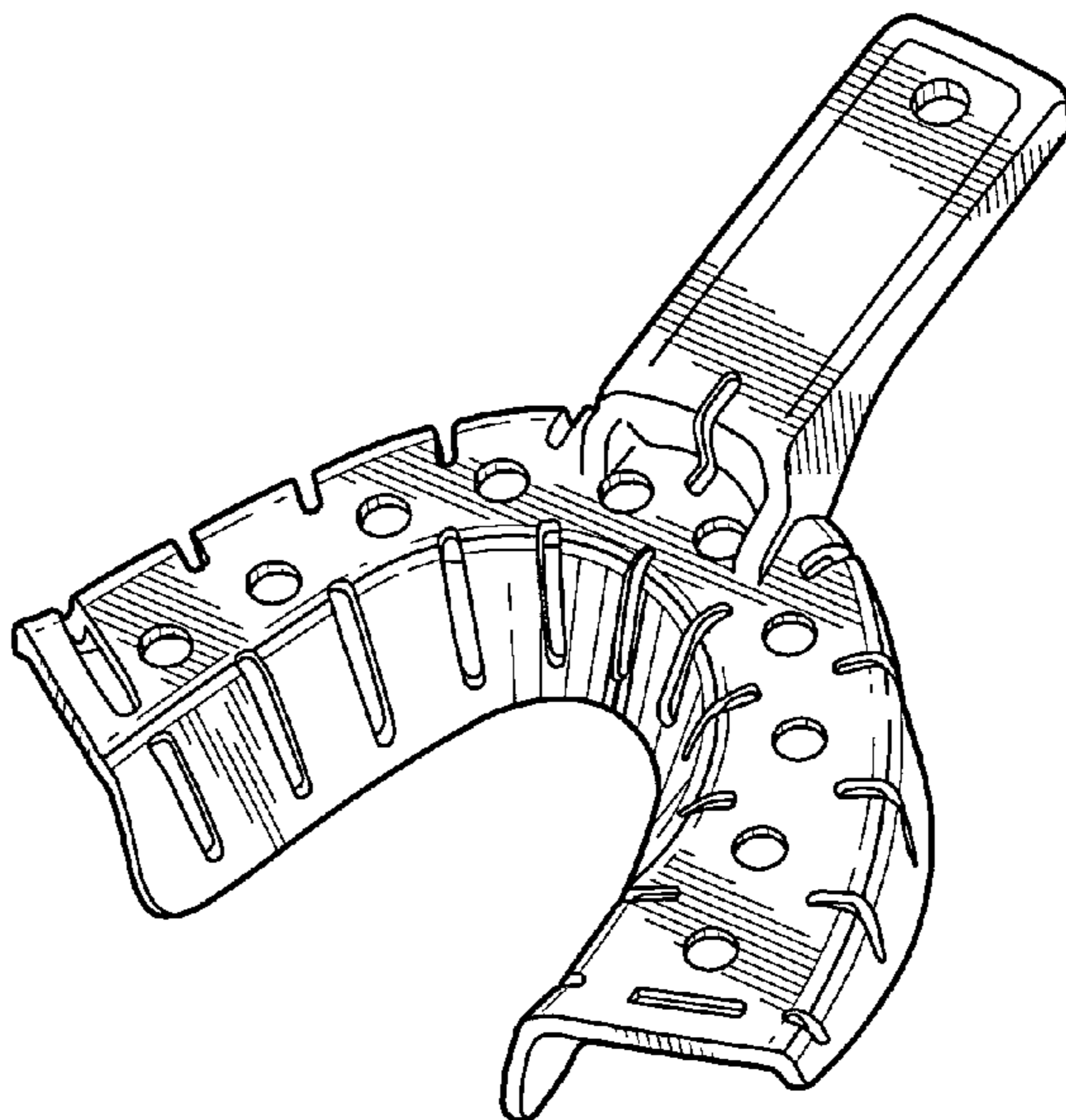
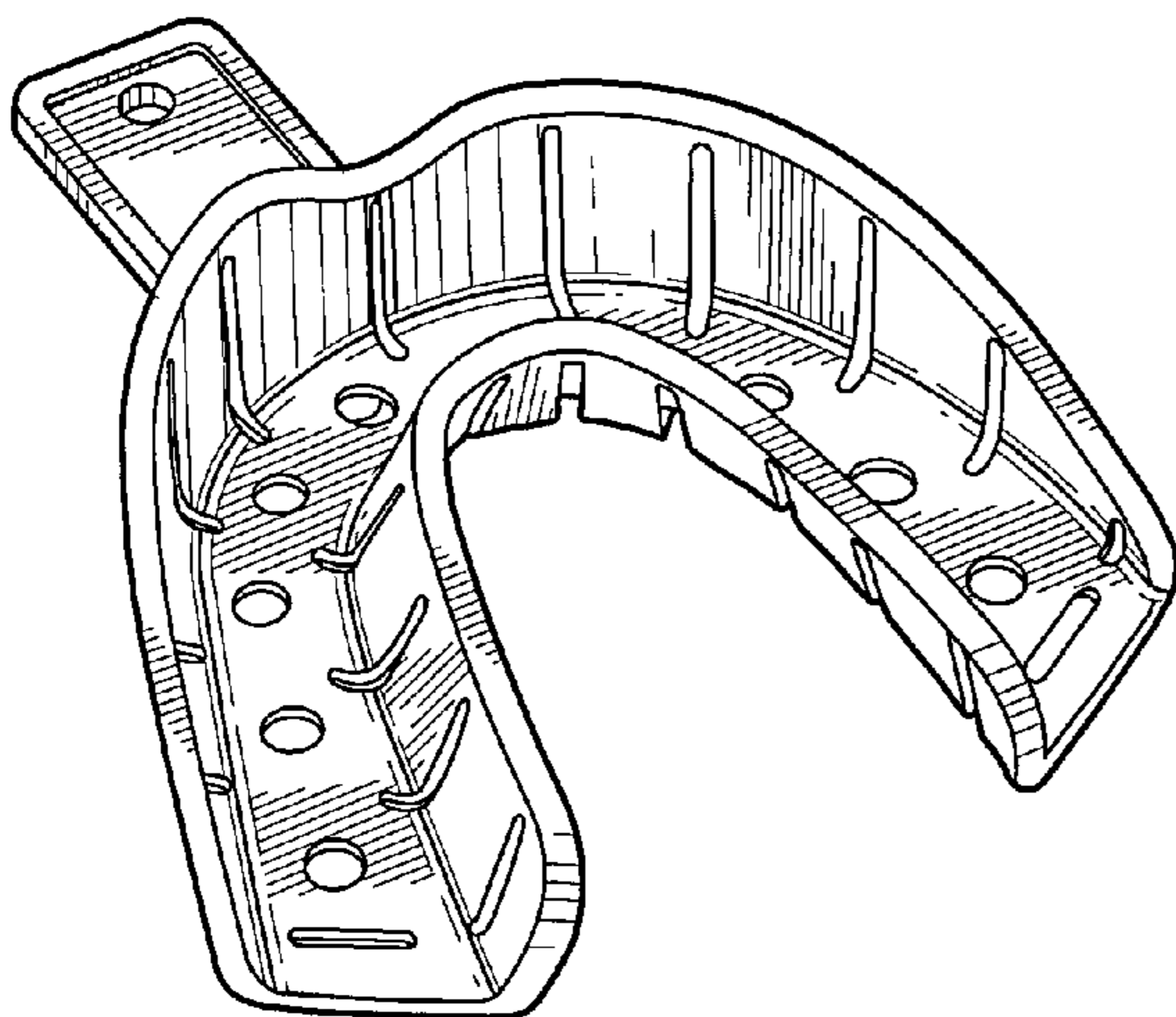
(57) **CLAIM**

The ornamental design for a tray for collecting a dental impression, as shown and described.

DESCRIPTION

FIG. 1 is a front elevational view of a tray for collecting a dental impression;
FIG. 2 is a rear elevational view thereof;
FIG. 3 is a right side elevational view thereof, the left side elevational view being a mirror image of the right side elevational view shown;
FIG. 4 is a top plan view thereof;
FIG. 5 is a bottom plan view thereof;
FIG. 6 is a front, left, and bottom perspective view thereof; and,
FIG. 7 is a rear, left, and top perspective view thereof.

1 Claim, 6 Drawing Sheets



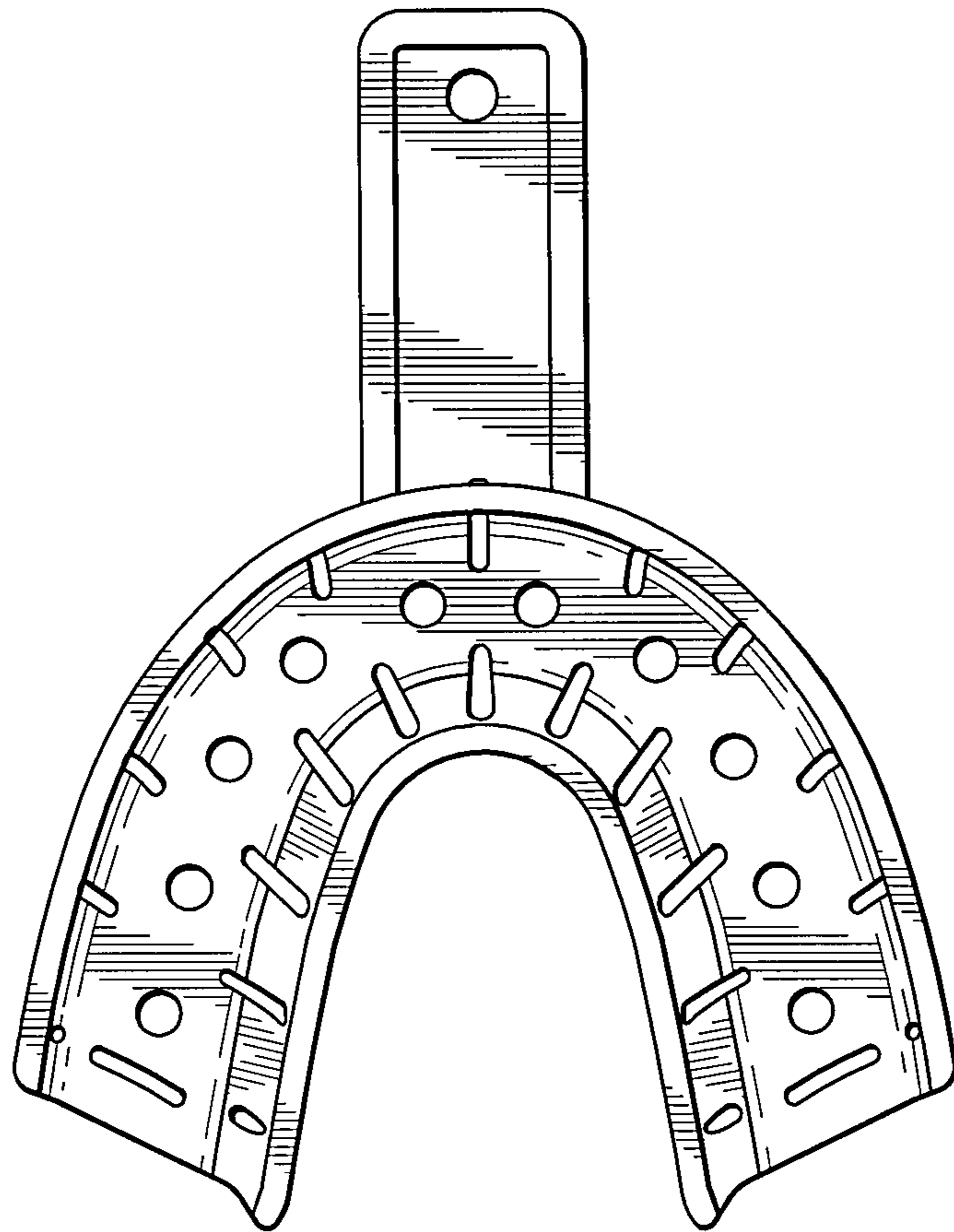


Fig. 1

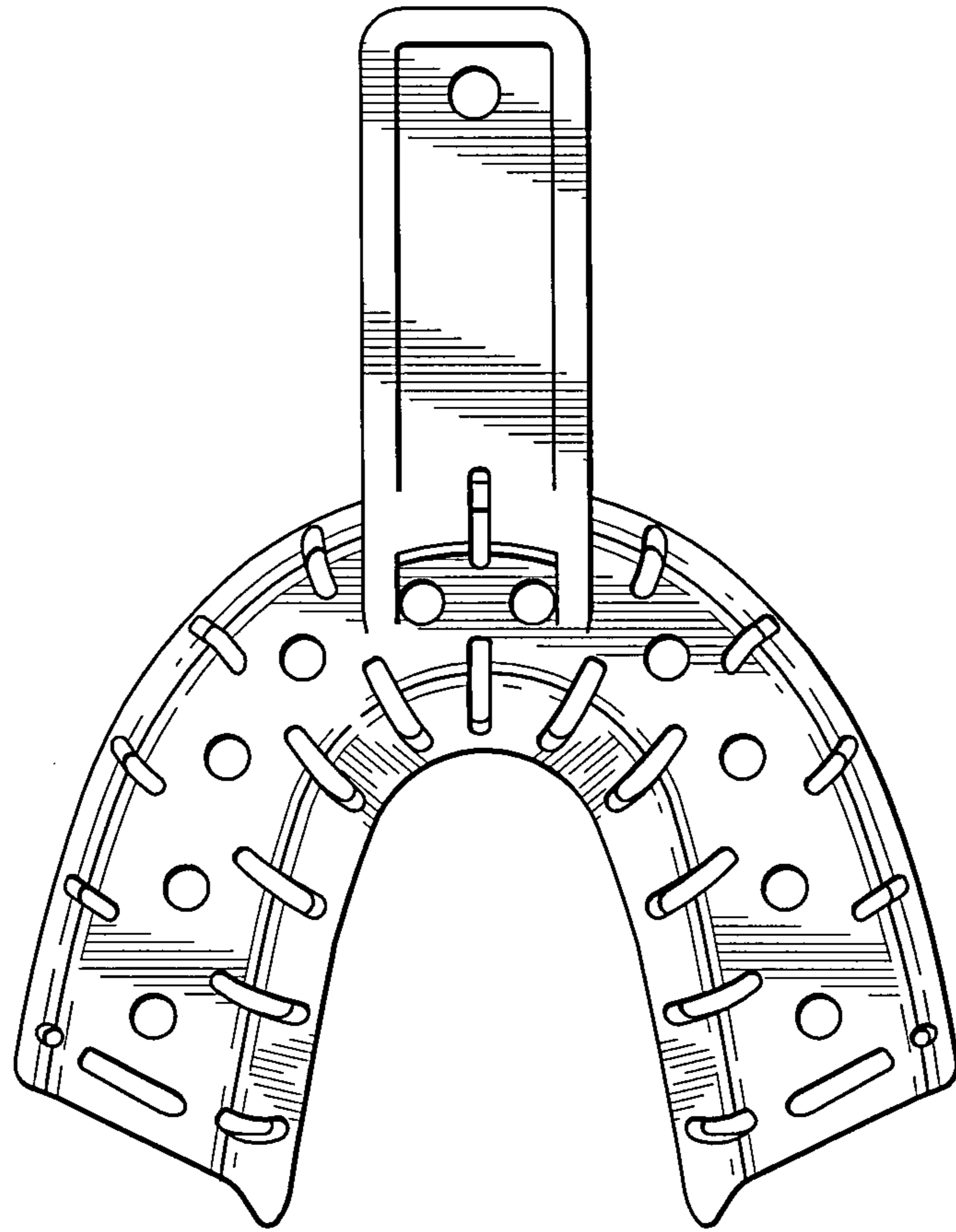


Fig. 2

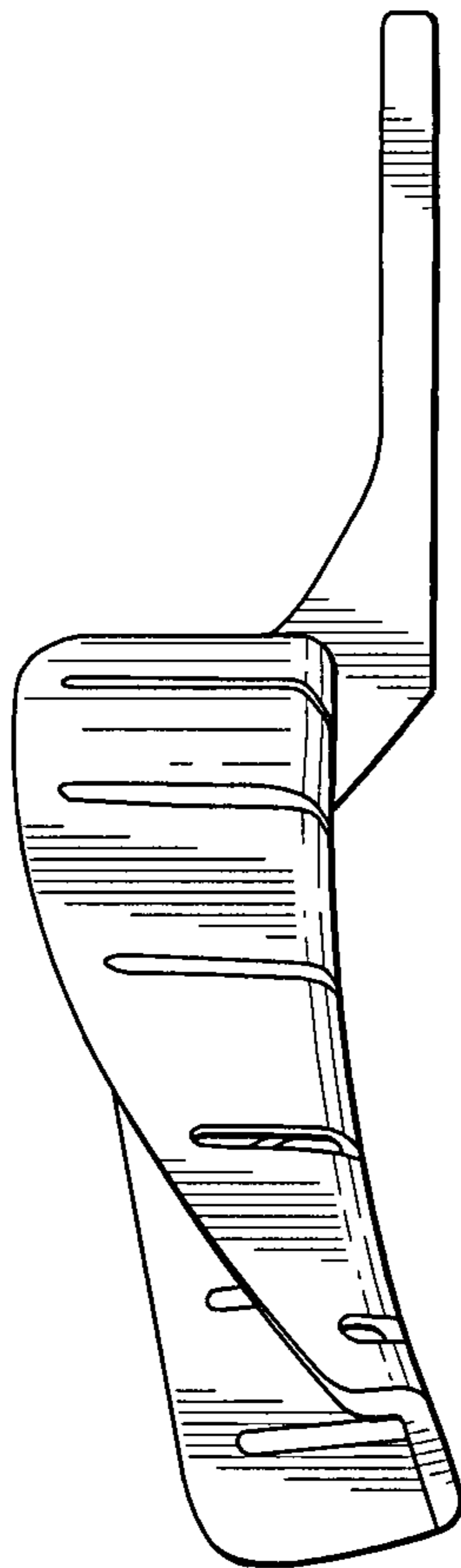


Fig. 3

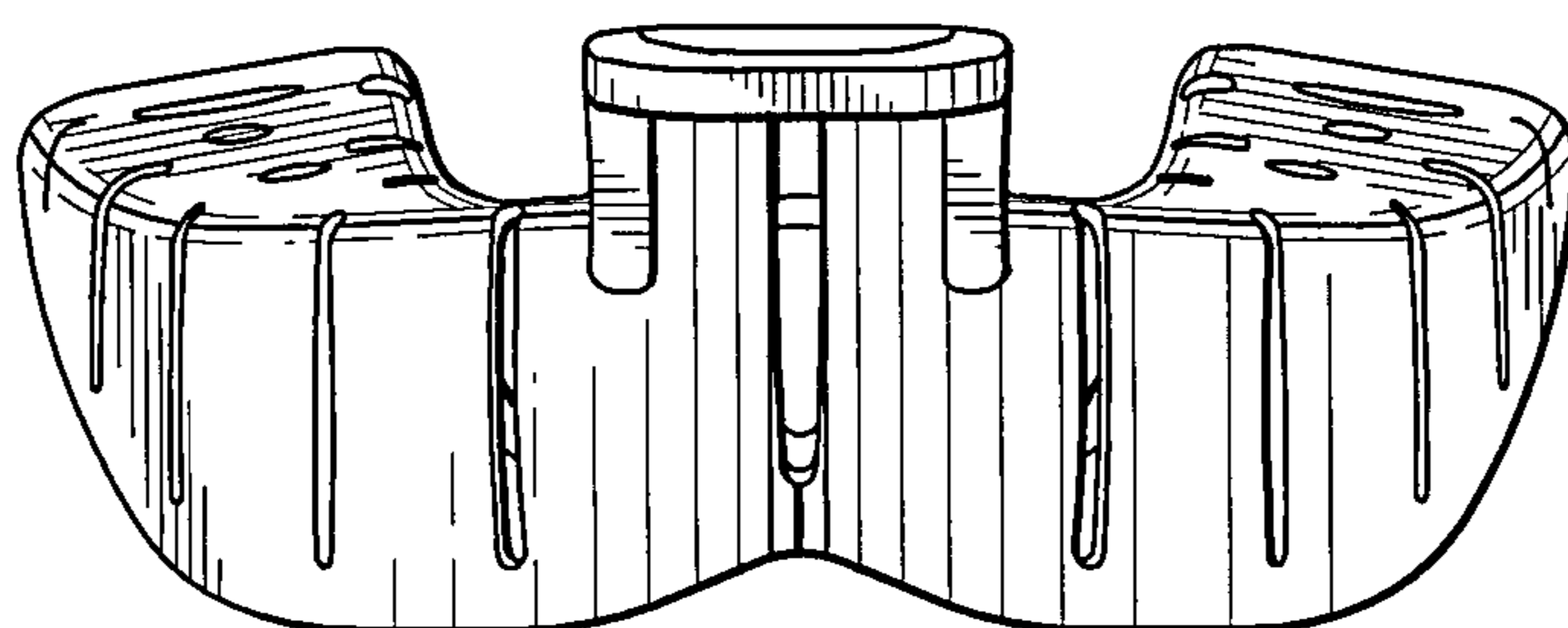


Fig. 4

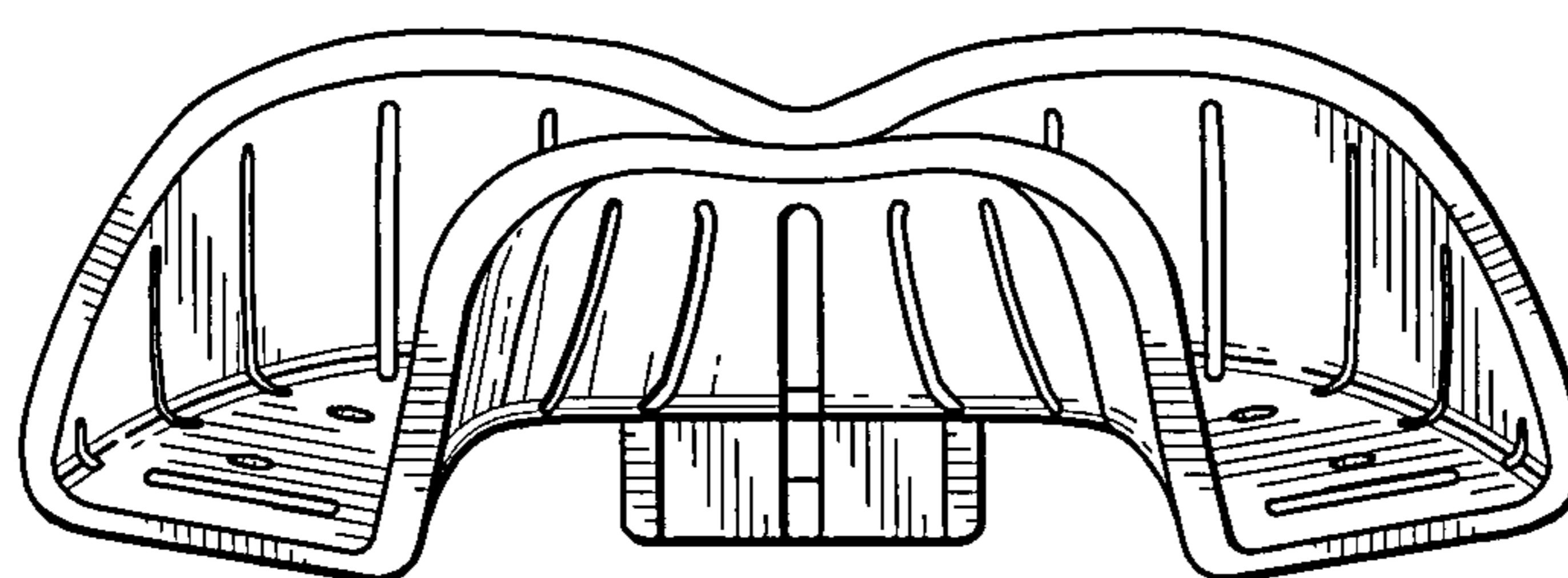


Fig. 5

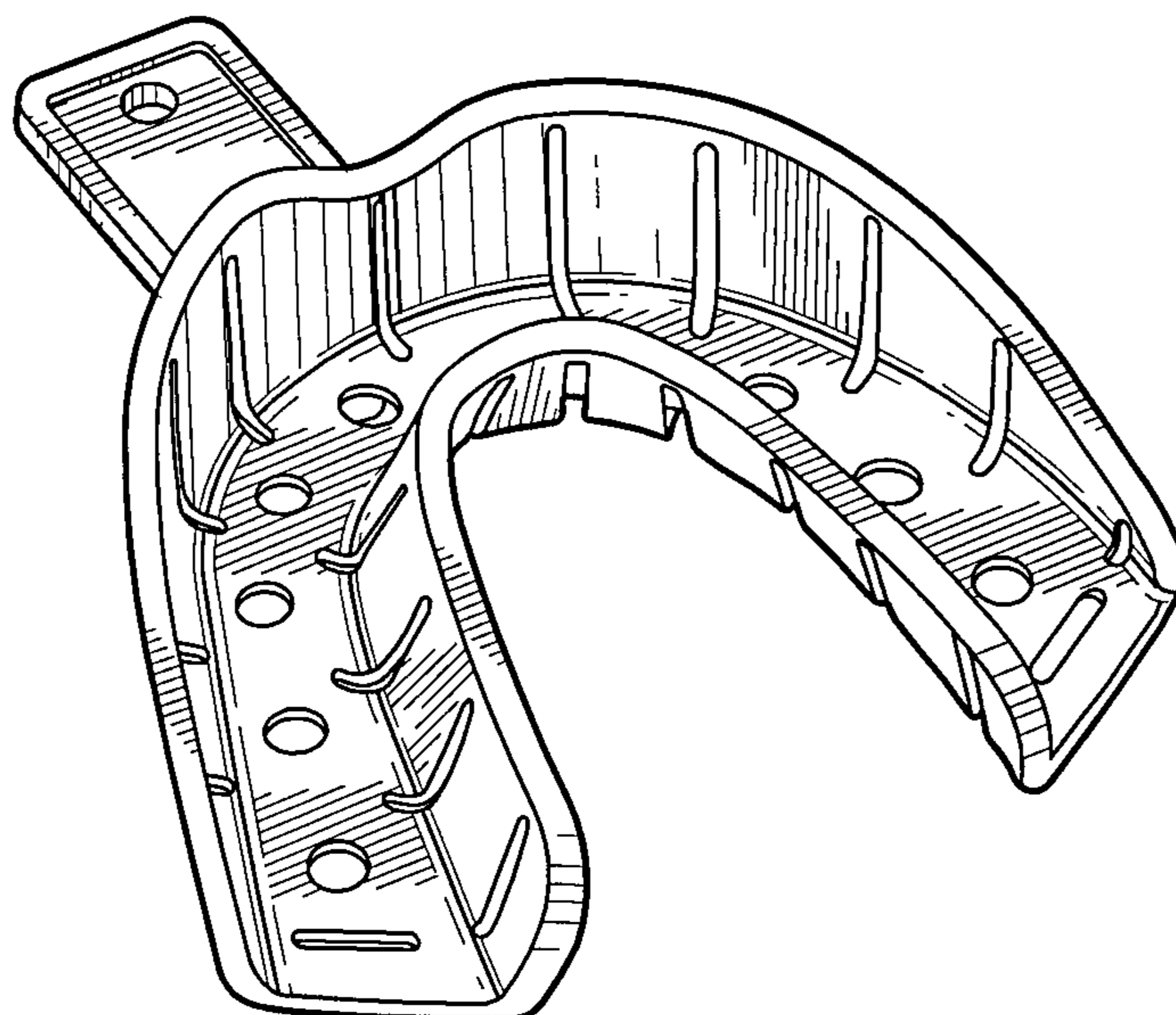


Fig. 6

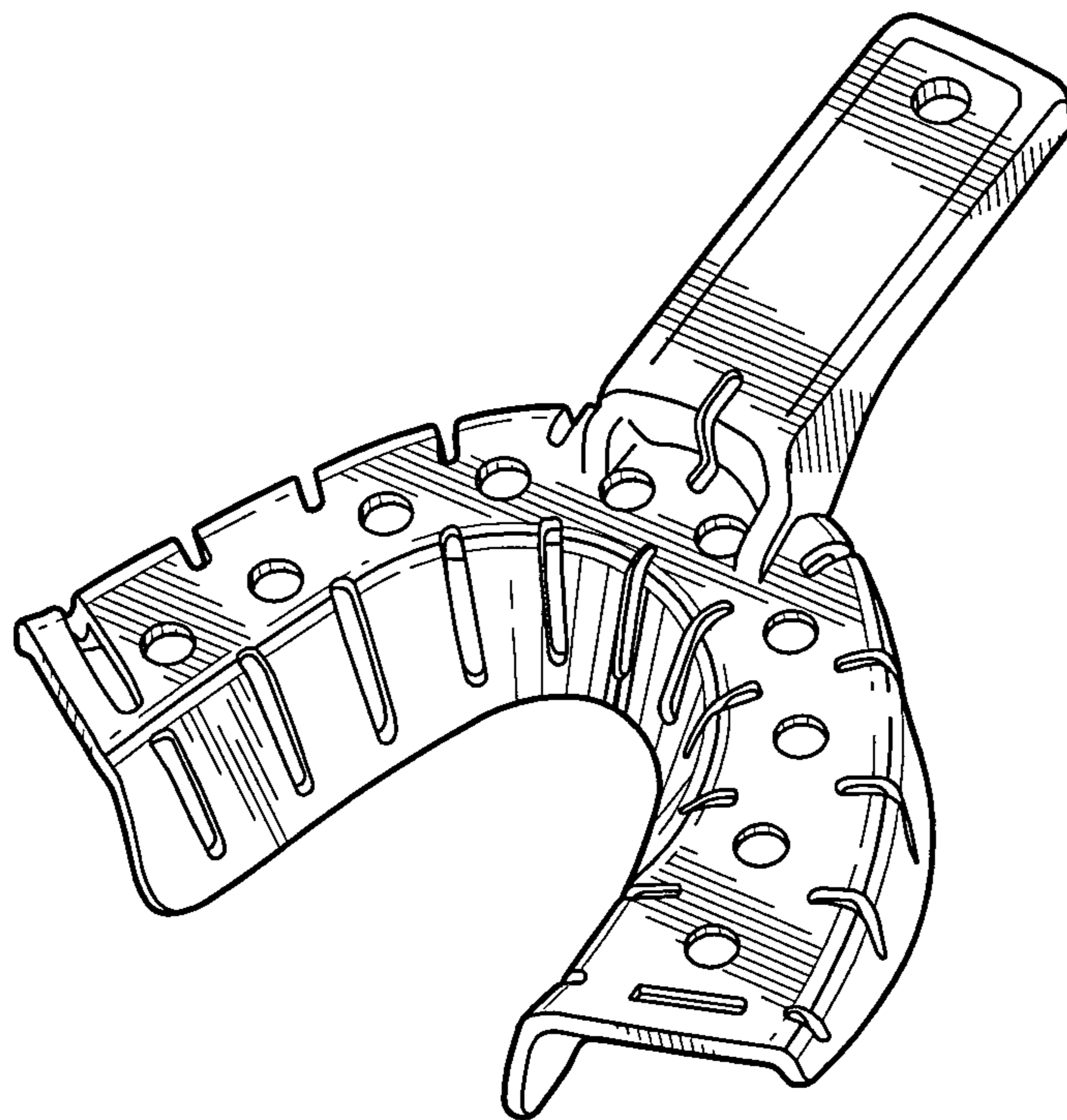


Fig. 7