



US00D686732S

(12) **United States Design Patent**
Marumori et al.

(10) **Patent No.:** **US D686,732 S**

(45) **Date of Patent:** **** Jul. 23, 2013**

(54) **TRAY FOR COLLECTING DENTAL IMPRESSION**

(75) Inventors: **Hidefumi Marumori**, Yokohama (JP);
Hiroshi Kamohara, Tokyo (JP)

(73) Assignee: **GC Corporation**, Tokyo (JP)

(**) Term: **14 Years**

(21) Appl. No.: **29/425,712**

(22) Filed: **Jun. 26, 2012**

(30) **Foreign Application Priority Data**

Dec. 26, 2011 (JP) 2011-029992

(51) **LOC (9) Cl.** **24-02**

(52) **U.S. Cl.**
USPC **D24/181**

(58) **Field of Classification Search**
USPC D24/152, 155–156, 176, 180–181;
433/37–38, 41, 42, 47–48, 71, 213–214
See application file for complete search history.

(56) **References Cited**

U.S. PATENT DOCUMENTS

D210,583	S	*	3/1968	Westlund et al.	D24/181
D266,269	S	*	9/1982	Werrin	D24/181
D294,062	S	*	2/1988	Kwok	D24/181
D302,463	S	*	7/1989	Wolfe	D24/181
5,636,985	A	*	6/1997	Simmen et al.	433/37
D413,386	S	*	8/1999	Werrin	D24/181

D464,138	S	*	10/2002	Werrin	D24/181
D521,150	S	*	5/2006	Kwok	D24/181
D529,179	S	*	9/2006	Mak	D24/181
D571,919	S	*	6/2008	Kwon et al.	D24/181
2004/0101803	A1	*	5/2004	Tucker et al.	433/38

OTHER PUBLICATIONS

U.S. Appl. No. 29/425,723, filed Jun. 26, 2012, Marumori, et al.
U.S. Appl. No. 29/425,716, filed Jun. 26, 2012, Marumori, et al.

* cited by examiner

Primary Examiner — Wan Laymon

(74) *Attorney, Agent, or Firm* — Oblon, Spivak,
McClelland, Maier & Neustadt, L.L.P.

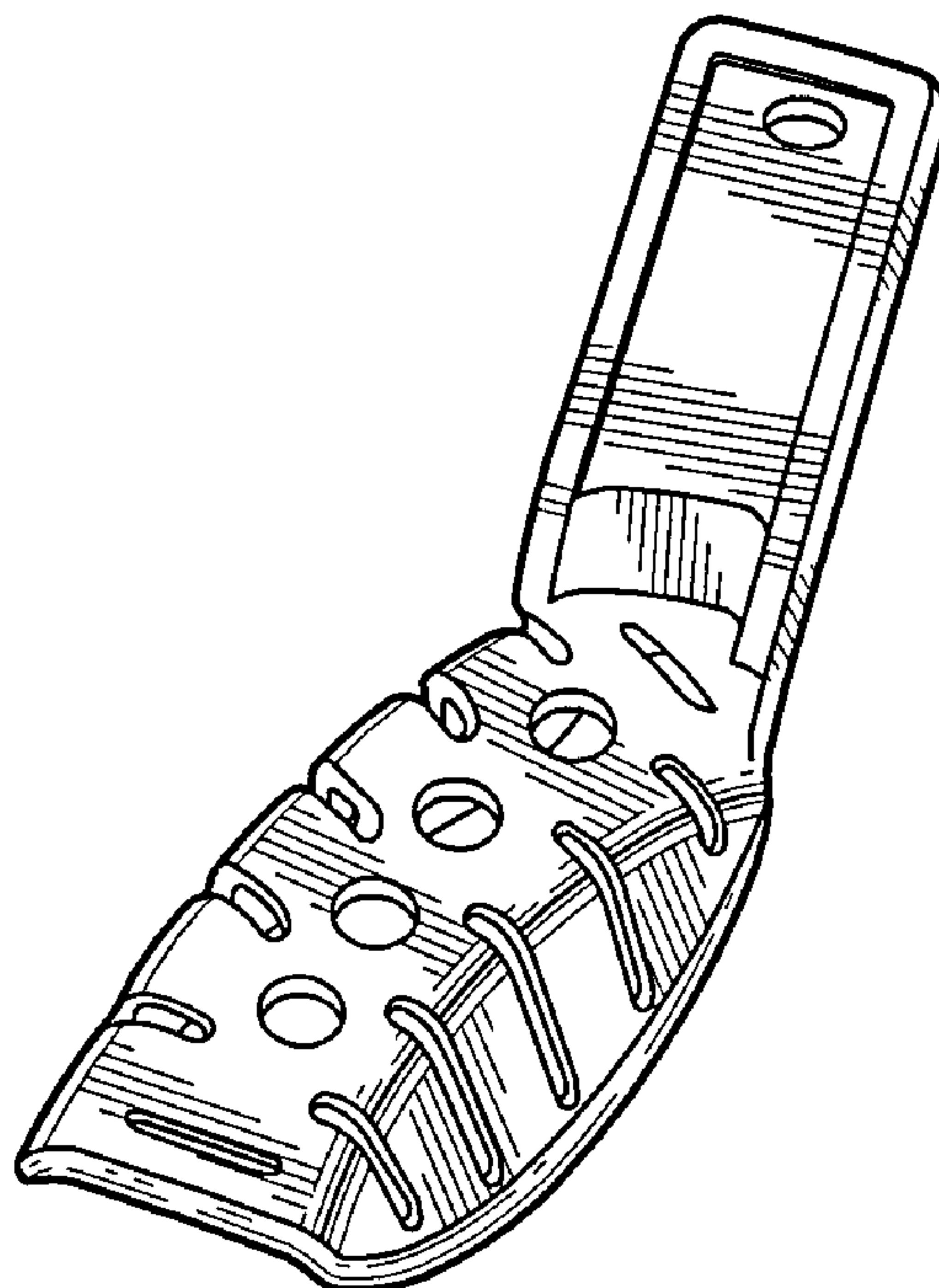
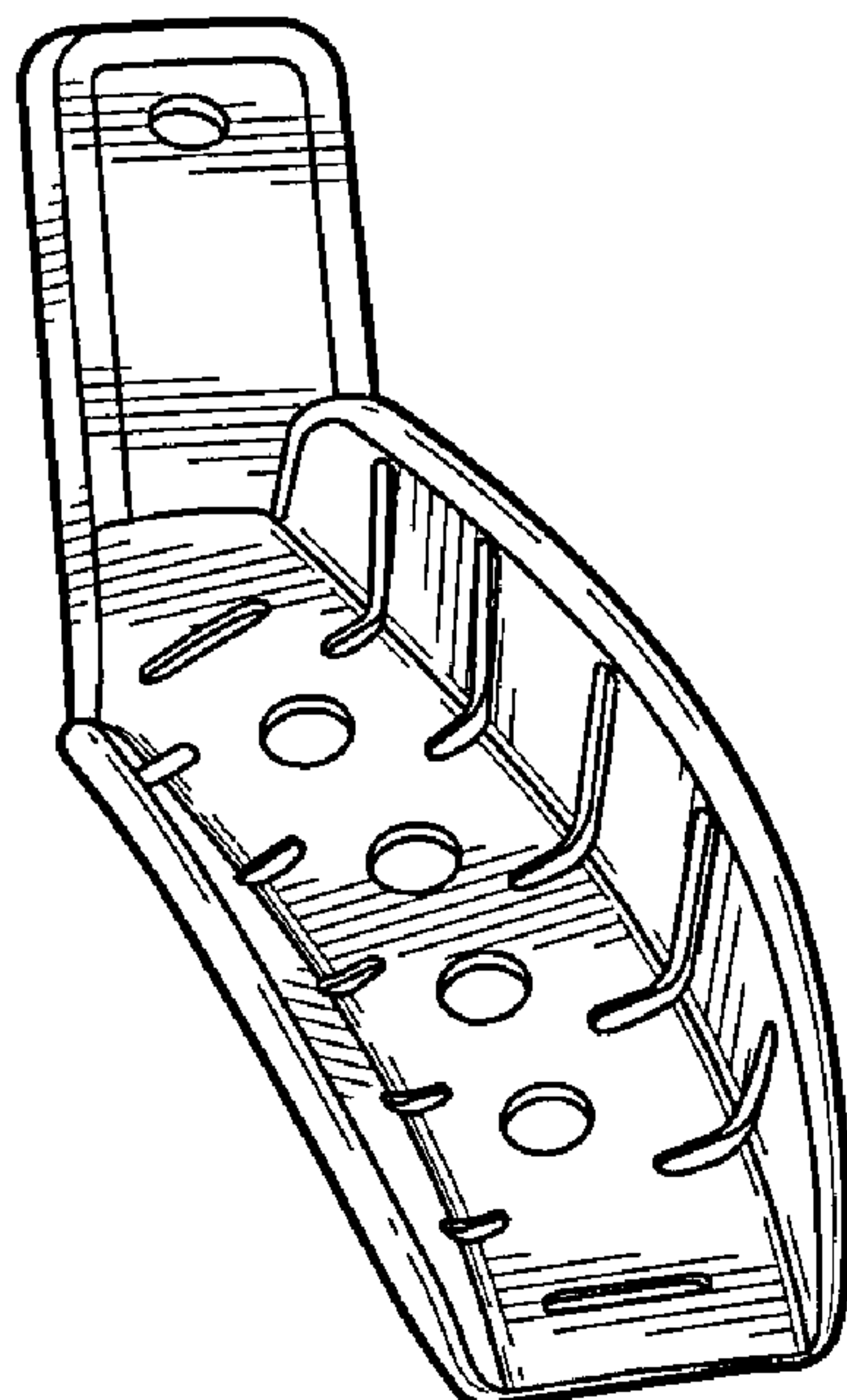
(57) **CLAIM**

The ornamental design for a tray for collecting a dental impression, as shown and described.

DESCRIPTION

FIG. 1 is a front elevational view of a tray for collecting a dental impression;
FIG. 2 is a rear elevational view thereof;
FIG. 3 is a right side elevational view thereof;
FIG. 4 is a left side elevational view thereof;
FIG. 5 is a top plan view thereof;
FIG. 6 is a bottom plan view thereof;
FIG. 7 is a front and bottom perspective view thereof; and,
FIG. 8 is a rear, left, and bottom perspective view thereof.

1 Claim, 4 Drawing Sheets



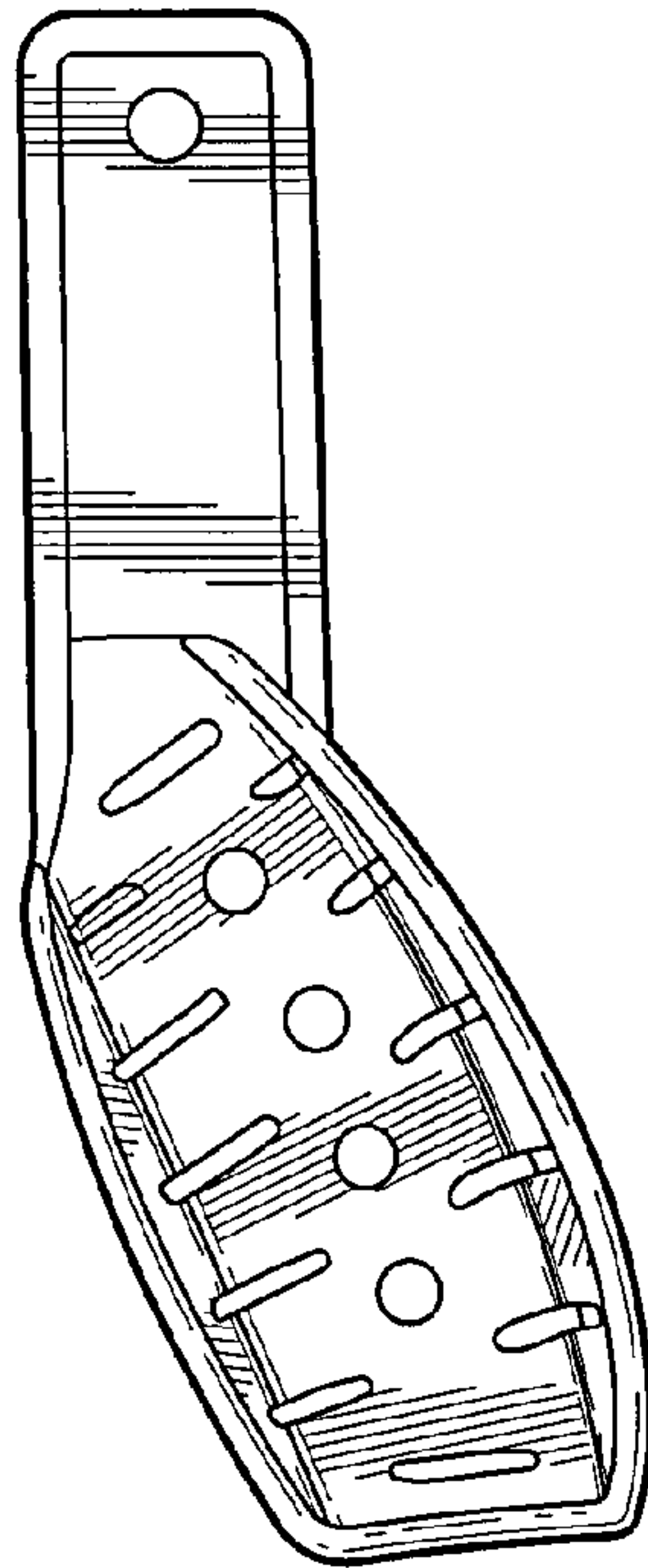


Fig. 1

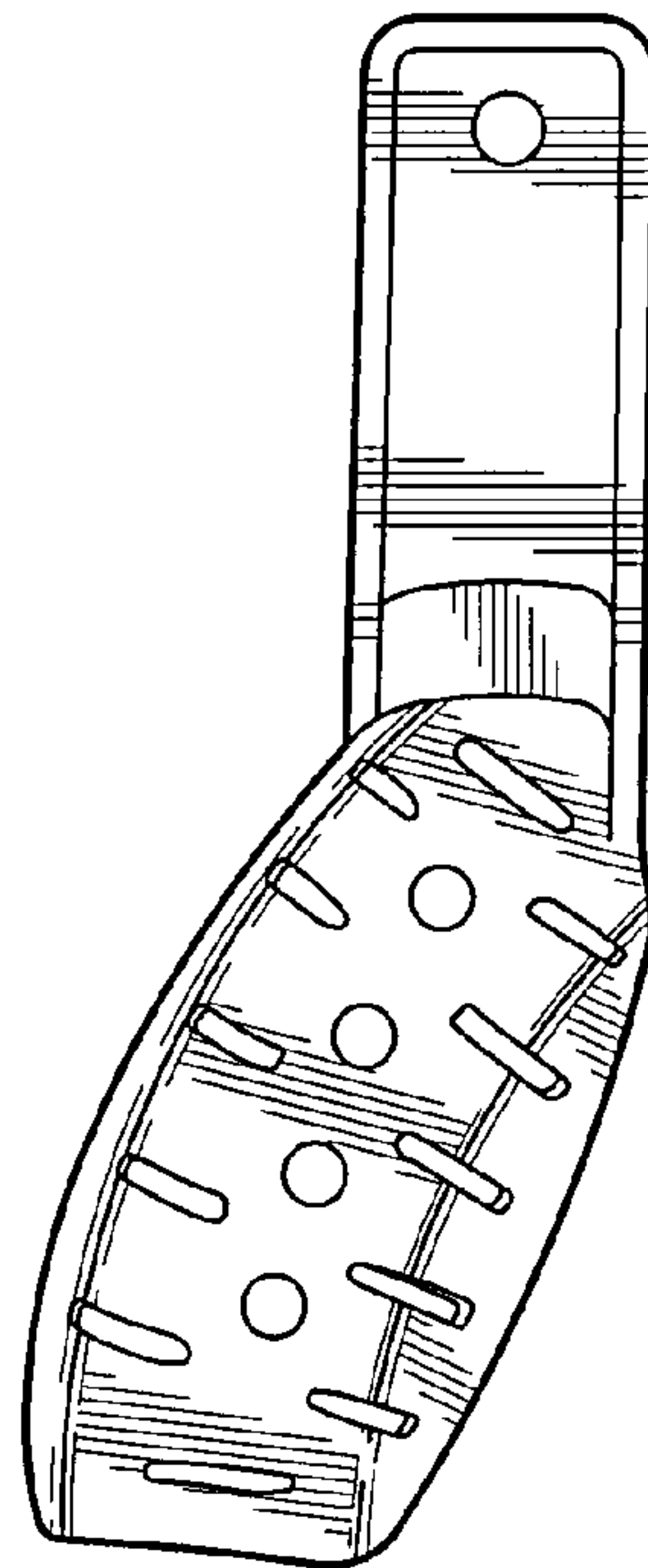


Fig. 2

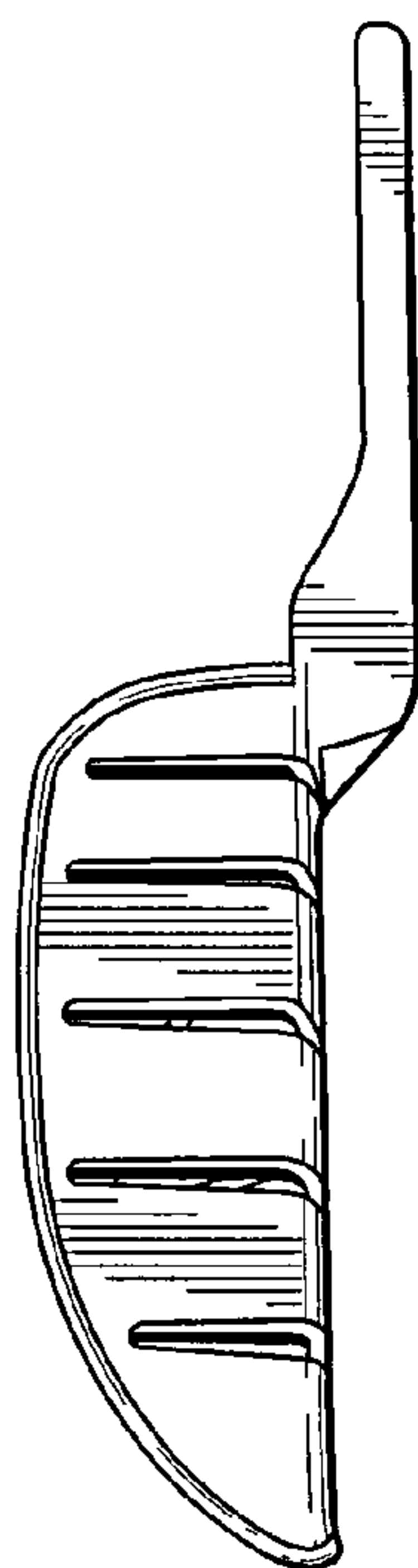


Fig. 3

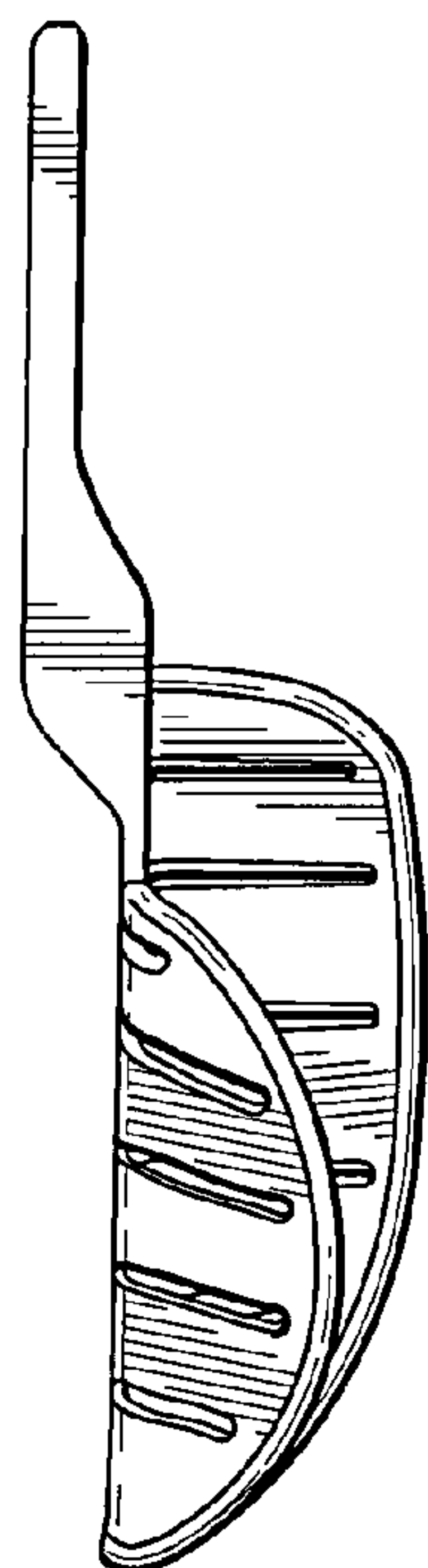


Fig. 4

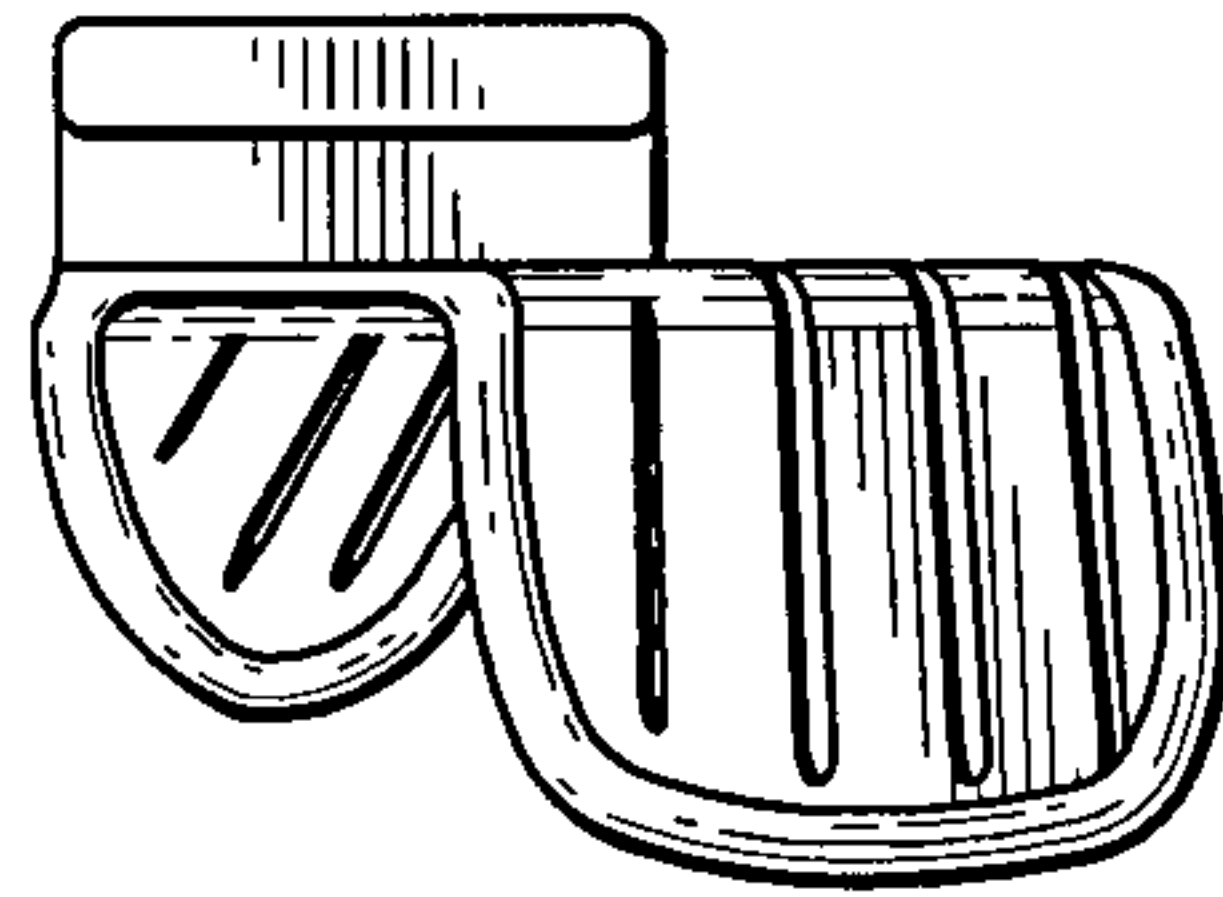


Fig. 5

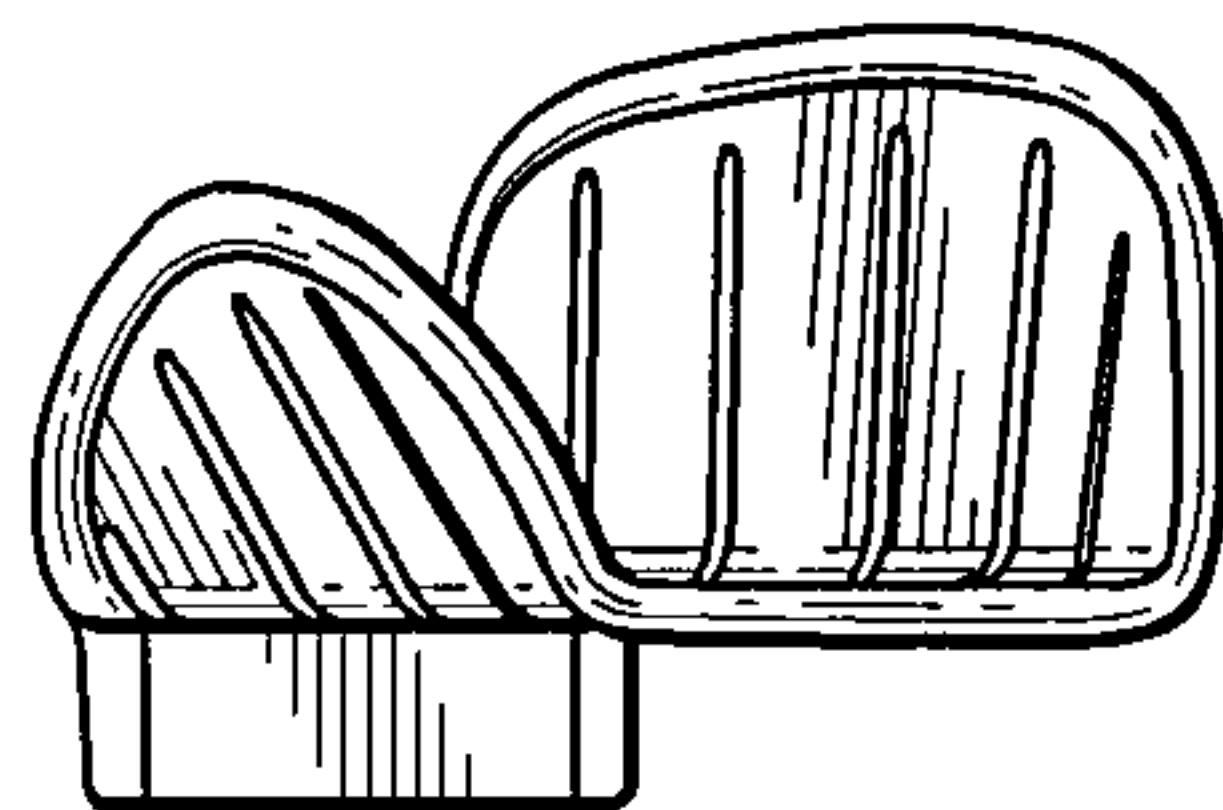


Fig. 6

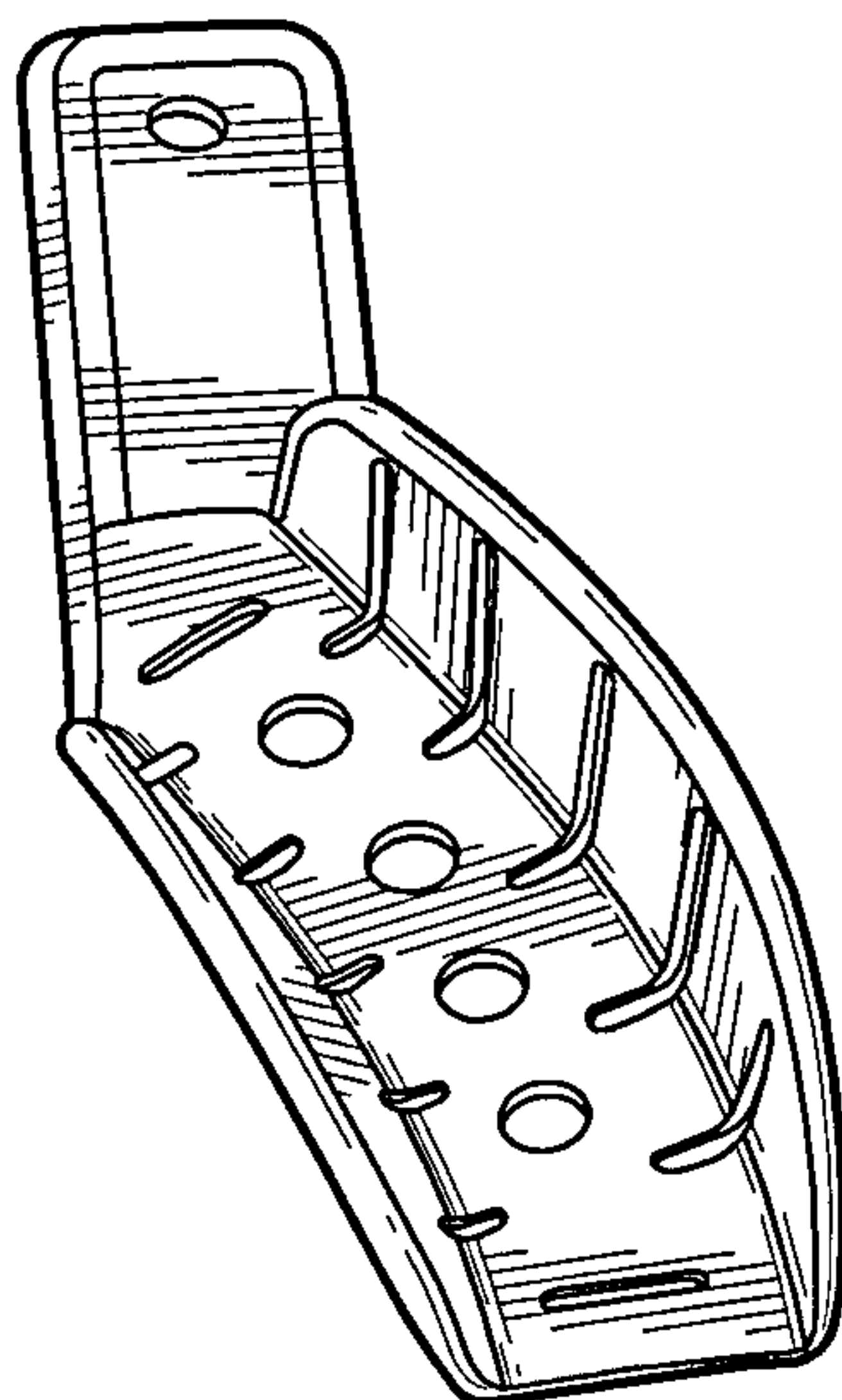


Fig. 7

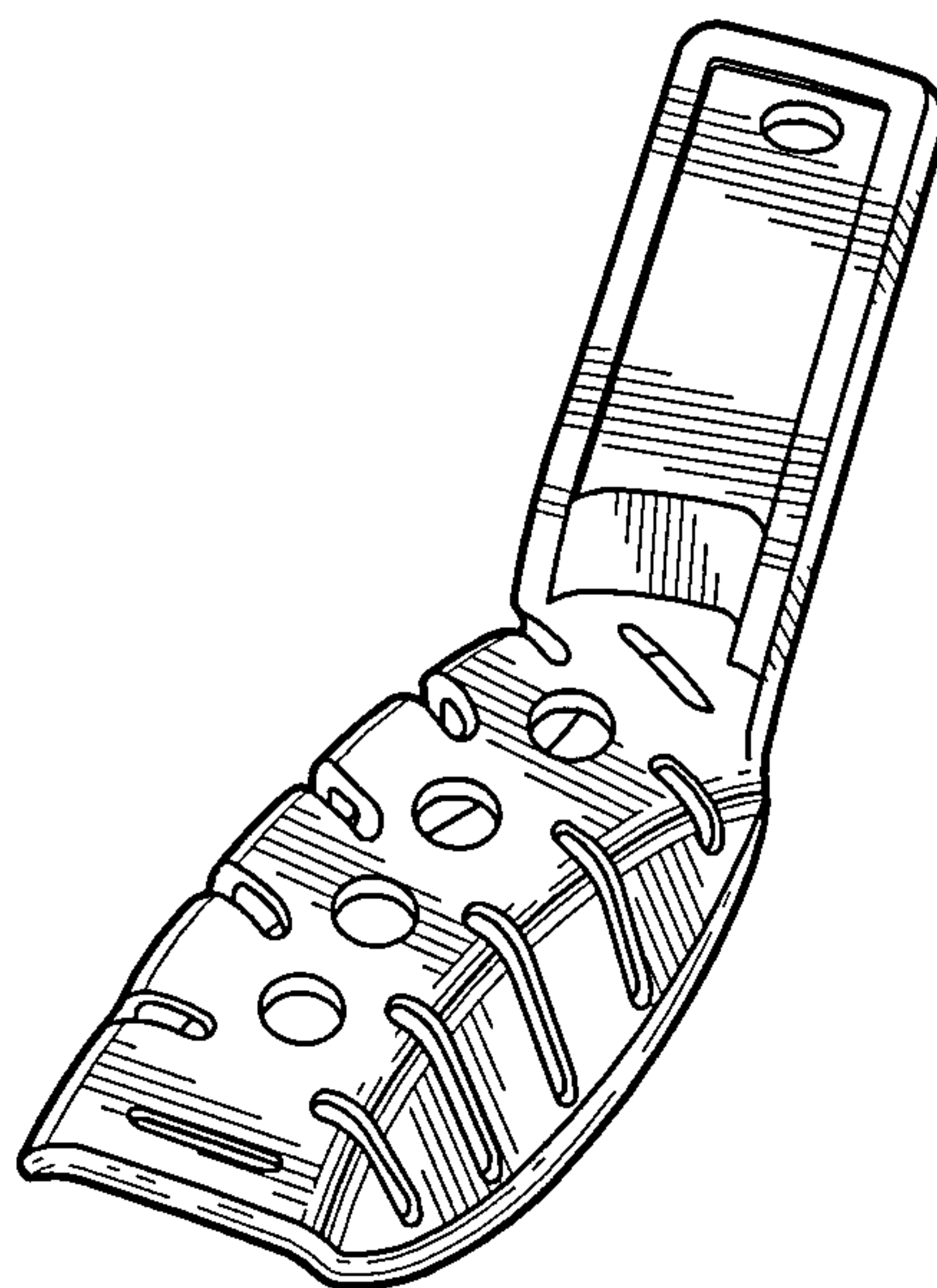


Fig. 8