



US00D686730S

(12) **United States Design Patent**
Iustin et al.

(10) **Patent No.:** **US D686,730 S**
(45) **Date of Patent:** **** Jul. 23, 2013**

(54) **MEDICAL IMPLANT**

(75) Inventors: **Roman Iustin**, Mölndal (SE); **Hanna Syrén**, Göteborg (SE); **Tomas Gustafsson**, Västra Frölunda (SE); **Lennart Carlsson**, Mölndal (SE)

(73) Assignee: **Micropos Medical AB**, Gothenburg (SE)

(**) Term: **14 Years**

(21) Appl. No.: **29/401,318**

(22) Filed: **Sep. 9, 2011**

(30) **Foreign Application Priority Data**

Sep. 6, 2011 (EM) 001292007

(51) **LOC (9) Cl.** **24-02**

(52) **U.S. Cl.**
USPC **D24/155; D24/187**

(58) **Field of Classification Search**
USPC D24/155-157, 145, 187; 607/122, 607/127, 132, 119; 623/17.11, 17.12, 17.13, 623/17.14, 17.15, 17.16, 23.61, 23.56, 1.11, 623/1.15; 606/246, 248, 249, 108, 32; D13/133; D8/330, 356; 600/436, 109, 480, 486; 604/509, 604/96.01

See application file for complete search history.

(56) **References Cited**

U.S. PATENT DOCUMENTS

5,429,597	A *	7/1995	DeMello et al.	604/509
5,811,814	A *	9/1998	Leone et al.	250/368
5,871,528	A *	2/1999	Camps et al.	607/119
5,984,929	A *	11/1999	Bashiri et al.	606/108
6,360,130	B1 *	3/2002	Duysens et al.	607/132
6,939,345	B2 *	9/2005	KenKnight et al.	606/32
7,018,371	B2 *	3/2006	Forman	604/509

D521,356	S *	5/2006	Littrell et al.	D8/330
D530,419	S *	10/2006	Koseki	D24/145
7,115,140	B2 *	10/2006	Stoltze et al.	623/1.11
7,181,290	B2 *	2/2007	Chitre et al.	607/122
7,373,197	B2 *	5/2008	Daighighian et al.	600/436
D573,535	S *	7/2008	Victor	D13/133
D577,678	S *	9/2008	Ball et al.	D13/133
7,532,939	B2 *	5/2009	Sommer et al.	607/127
D622,132	S *	8/2010	DeMars et al.	D8/356
D627,058	S *	11/2010	Ko et al.	D24/108
D644,738	S *	9/2011	Regan et al.	D24/187
8,212,554	B2 *	7/2012	Brazdeikis et al.	324/244
2005/0096728	A1 *	5/2005	Ramer	623/1.15
2006/0229552	A1 *	10/2006	Slazas et al.	604/96.01

* cited by examiner

Primary Examiner — Ian Simmons

Assistant Examiner — Charles Hanson

(74) *Attorney, Agent, or Firm* — Birch, Stewart, Kolasch & Birch, LLP

(57) **CLAIM**

The ornamental design for a medical implant, as shown and described.

DESCRIPTION

FIG. 1 is a view from one side of a medical implant showing our new design;

FIG. 2 is a view from above thereof;

FIG. 3 is a view from above thereof (with loop omitted);

FIG. 4 is an enlarged first end view thereof;

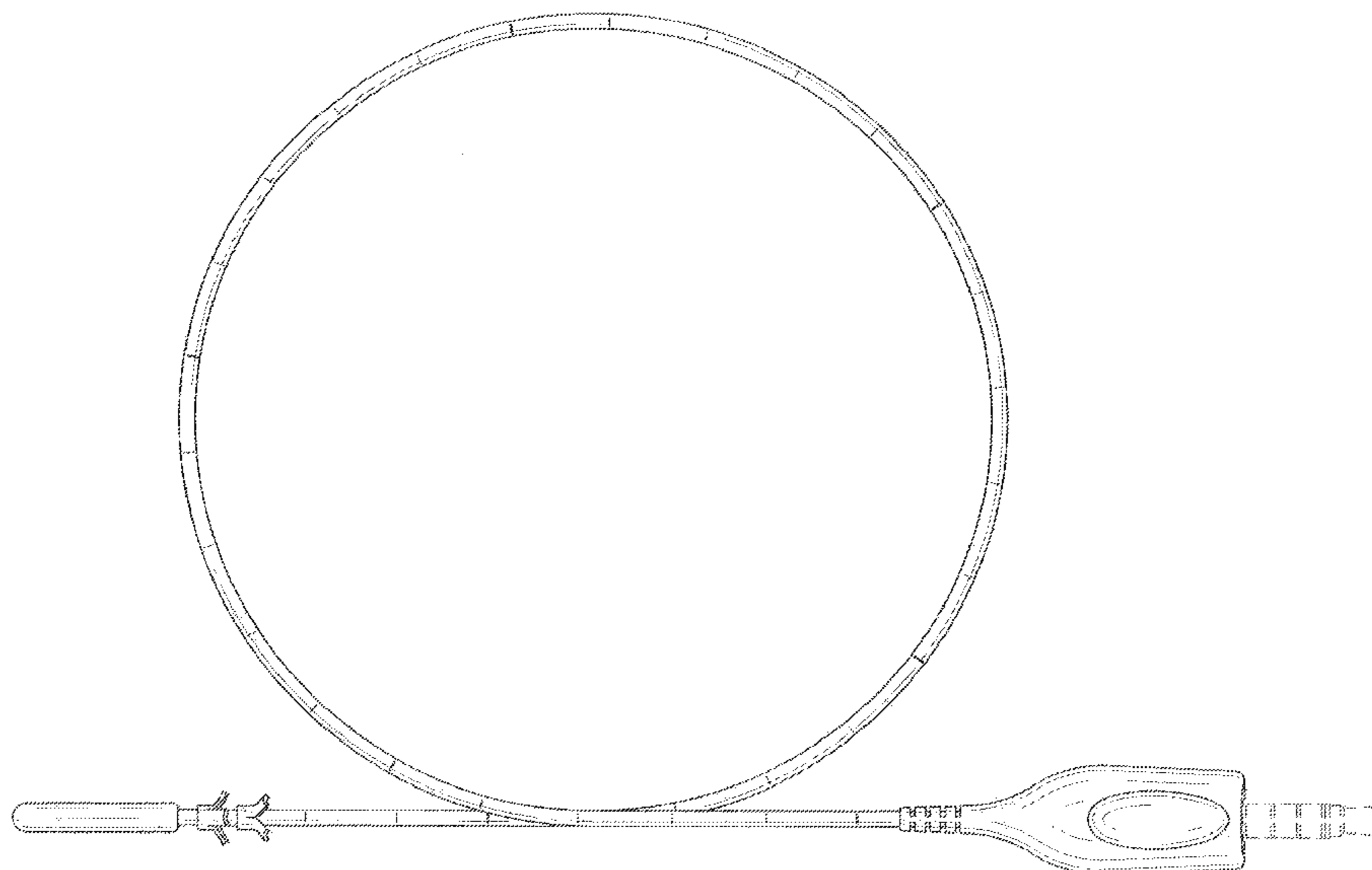
FIG. 5 is an enlarged second end view thereof;

FIG. 6 is a view from a different side thereof (with loop omitted); and,

FIG. 7 is a view from below thereof (with loop omitted).

The broken line showing of is included for the purpose of illustrating environment and forms no part of the claimed design.

1 Claim, 4 Drawing Sheets



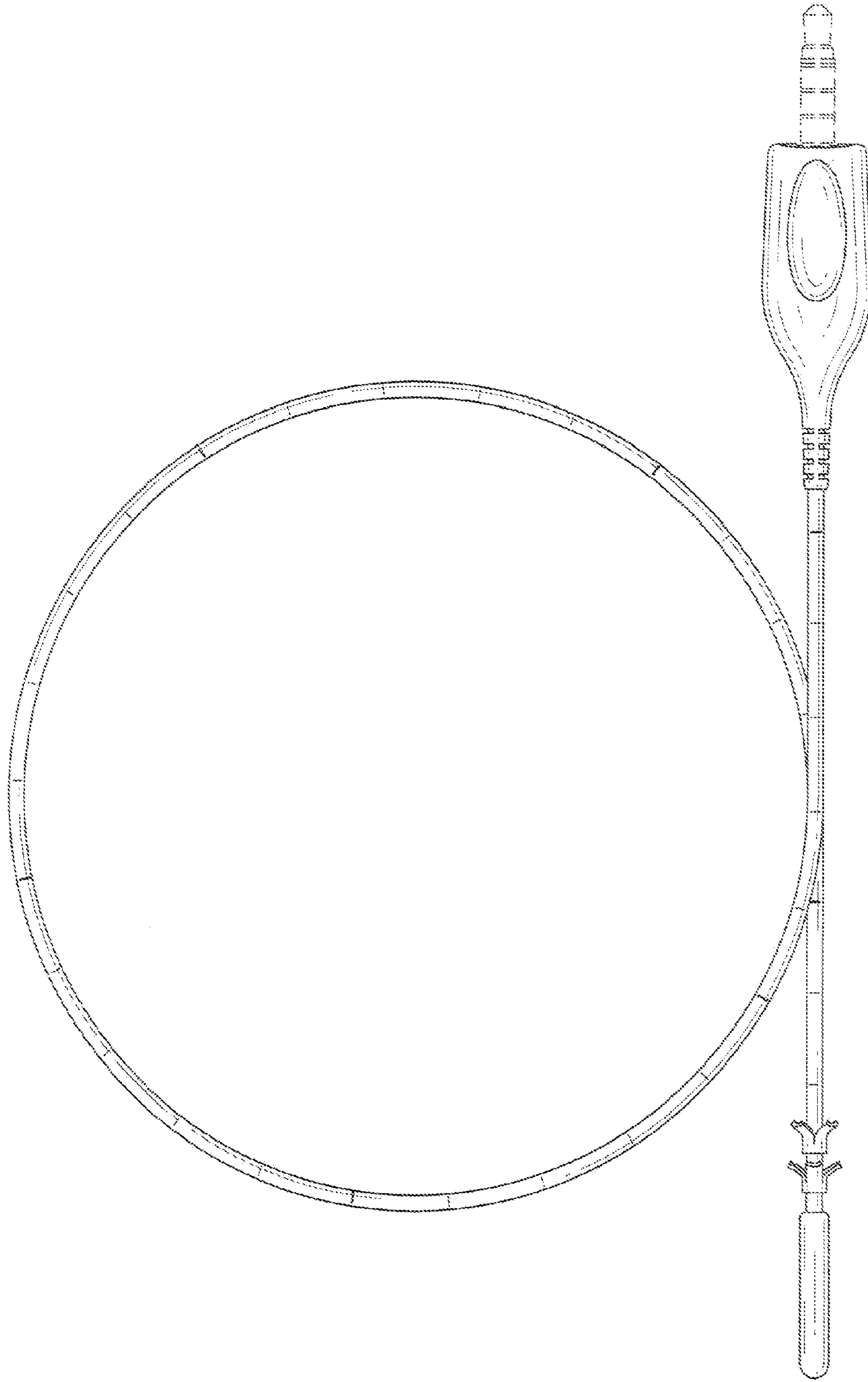


FIG.1

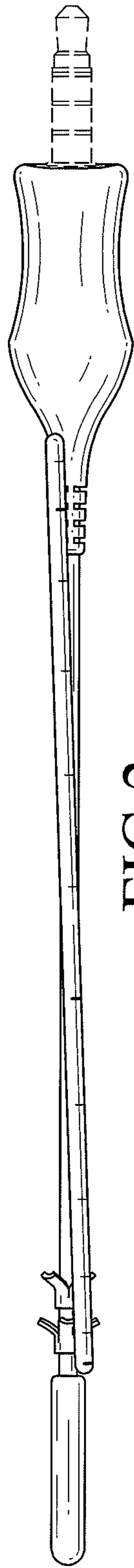


FIG. 2

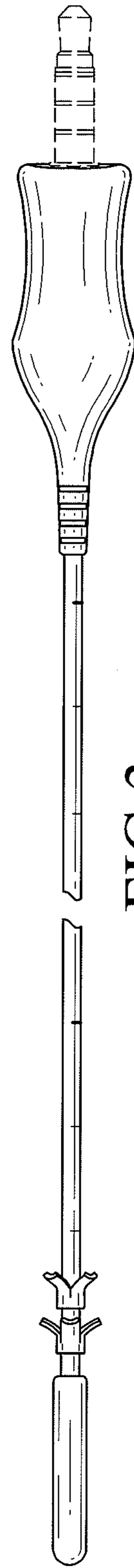


FIG. 3

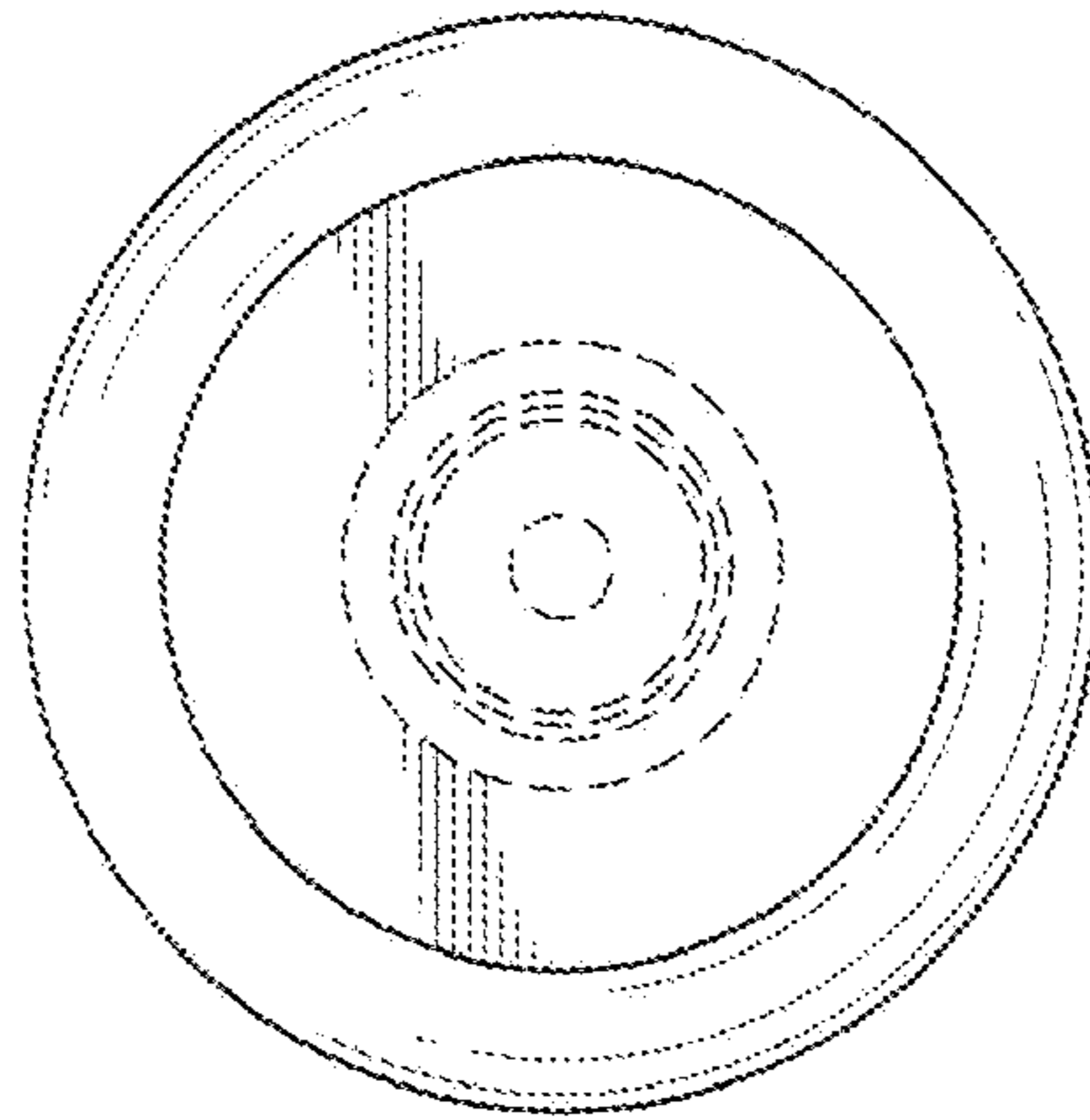


FIG. 4

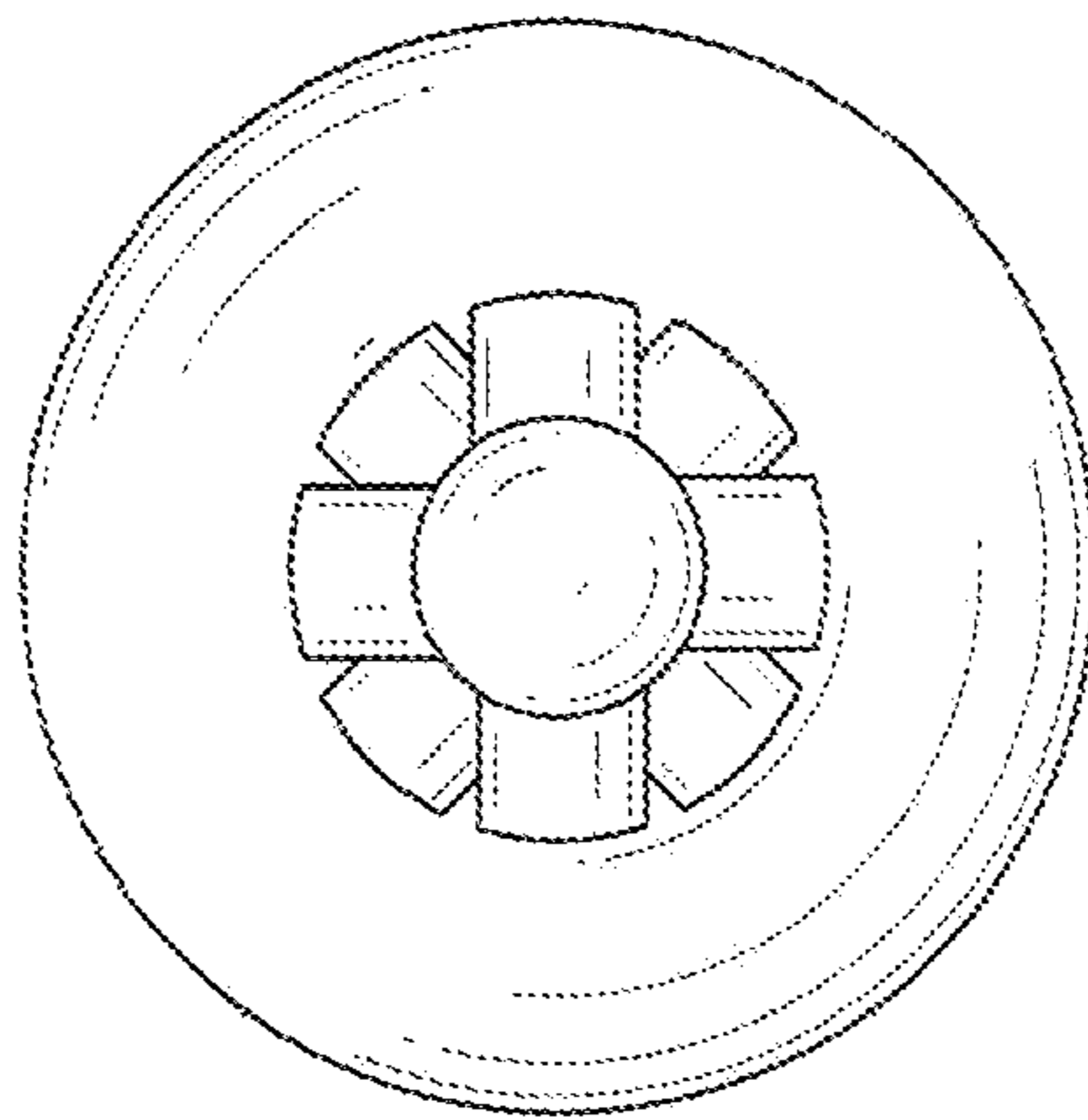


FIG. 5

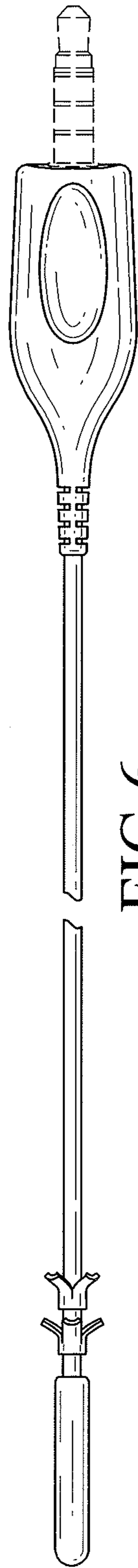


FIG. 6

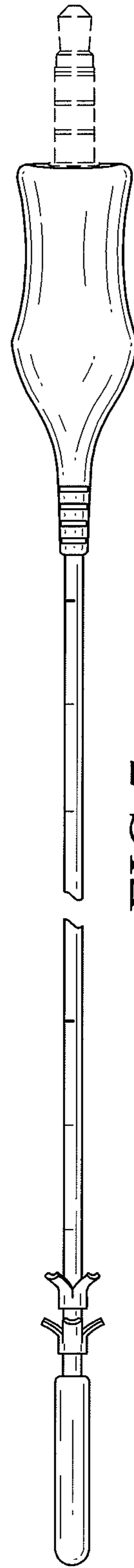


FIG. 7