



US00D686729S

(12) **United States Design Patent**
Christensen et al.

(10) **Patent No.:** **US D686,729 S**
(45) **Date of Patent:** **** Jul. 23, 2013**

- (54) **OPHTHALMIC STRUCTURE**
- (71) Applicant: **OASIS Medical, Inc.**, Glendora, CA (US)
- (72) Inventors: **James Marlow Christensen**, Glendora, CA (US); **D. Michael Colvard**, Encino, CA (US)
- (73) Assignee: **Oasis Medical, Inc.**, Glendora, CA (US)
- (**) Term: **14 Years**

D412,576	S	*	8/1999	Austin et al.	D24/135
6,332,866	B1		12/2001	Grieshaber et al.		
D459,804	S	*	7/2002	Koros et al.	D24/135
D462,442	S	*	9/2002	Webb	D24/150
6,620,098	B1		9/2003	Milverton		
D489,130	S	*	4/2004	Sinding	D24/137
D498,531	S	*	11/2004	Sinding	D24/135
D535,024	S	*	1/2007	Huttner	D24/140
D535,395	S	*	1/2007	Huttner	D24/140
D536,094	S	*	1/2007	Huttner	D24/140
D559,388	S	*	1/2008	Melcher	D24/150
D581,531	S	*	11/2008	Alinsod et al.	D24/135
D601,698	S	*	10/2009	Stephenson et al.	D24/135
D614,303	S	*	4/2010	Gausmann et al.	D24/150

(Continued)

- (21) Appl. No.: **29/433,064**
- (22) Filed: **Sep. 25, 2012**

Related U.S. Application Data

- (63) Continuation of application No. 13/275,685, filed on Oct. 18, 2011, now Pat. No. 8,439,833.
- (51) **LOC (9) Cl.** **24-02**
- (52) **U.S. Cl.**
USPC **D24/150**
- (58) **Field of Classification Search**
USPC D24/150, 172, 140, 135; 606/107, 606/4-6; 604/294, 302; 600/201, 206, 210, 600/233, 236, 237, 238, 239, 242, 243
See application file for complete search history.

- (56) **References Cited**

U.S. PATENT DOCUMENTS

4,321,916	A	3/1982	McKee
4,991,567	A	2/1991	McCuen, II et al.
5,163,419	A	11/1992	Goldman
5,267,553	A	12/1993	Graether
5,374,272	A	12/1994	Arpa et al.
5,427,088	A	6/1995	Graether
5,634,884	A	6/1997	Graether
5,653,753	A	8/1997	Brady et al.

FOREIGN PATENT DOCUMENTS

DE	9320127	U1	5/1994
RU	14505	U1	8/2000
RU	14506	U1	8/2000
WO	00/30566		6/2000

OTHER PUBLICATIONS

PCT/US12/60596 International Search Report and Written Opinion, mailed Dec. 20, 2012 from the International Search Authority/United States.

Primary Examiner — Ian Simmons

Assistant Examiner — Carissa C Fitts

(74) *Attorney, Agent, or Firm* — Greenberg Traurig, LLP

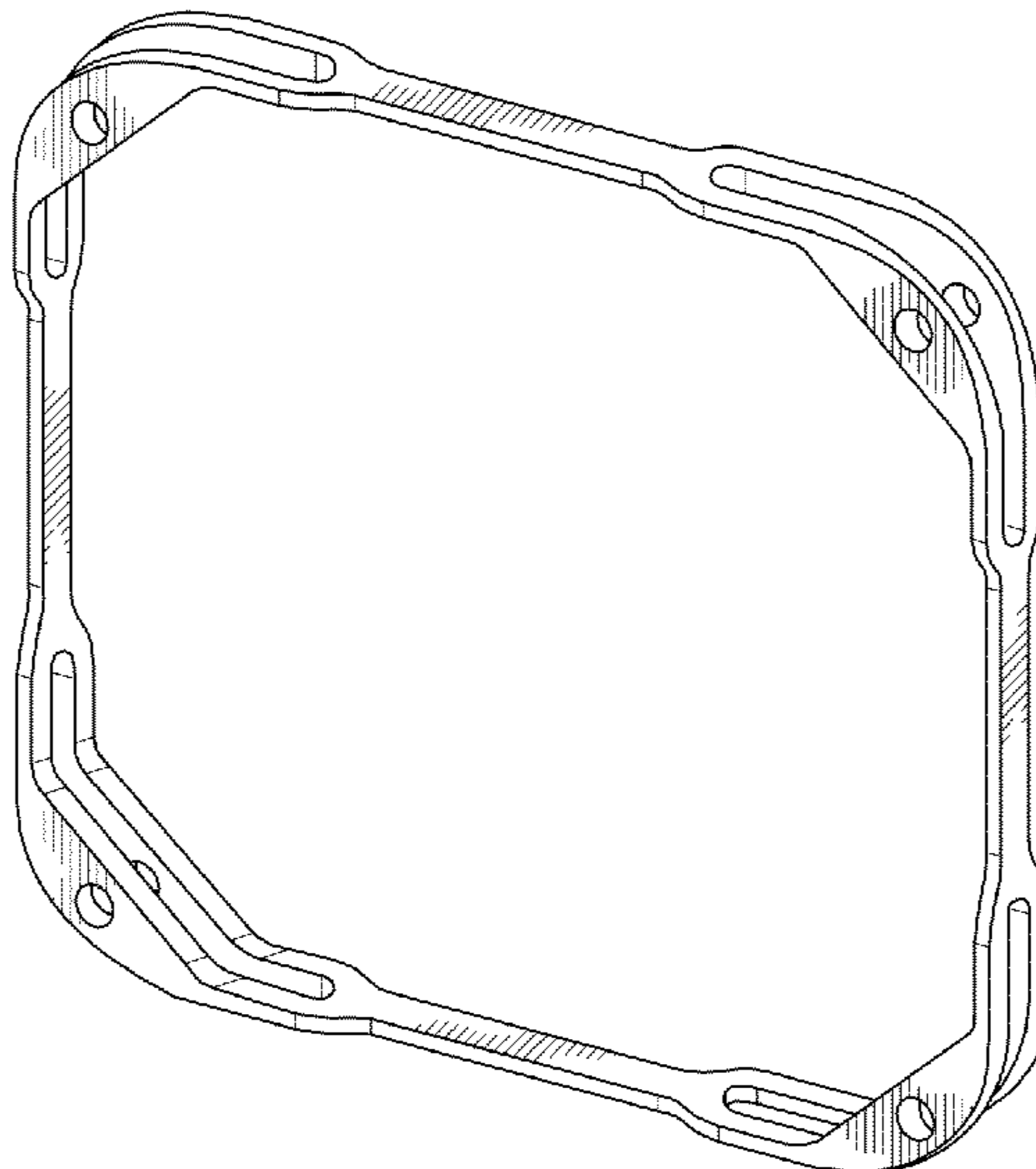
(57) **CLAIM**

The ornamental design for a ophthalmic structure, as shown and described.

DESCRIPTION

FIG. 1 is a perspective view of an ophthalmic structure showing our new design;
FIG. 2 is a top view thereof; and,
FIG. 3 is a side view thereof.

1 Claim, 1 Drawing Sheet



US D686,729 S

Page 2

U.S. PATENT DOCUMENTS

D625,005	S	*	10/2010	Zimmer et al.	D24/140	D658,286	S	*	4/2012	Ryshkus et al.	D24/135
D641,471	S	*	7/2011	Zimmer et al.	D24/140	2002/0055753	A1		5/2002	Silvestrini		
7,985,180	B2		7/2011	Brown			2003/0092970	A1		5/2003	Lee		
D643,118	S	*	8/2011	Zimmer et al.	D24/140	2008/0243139	A1		10/2008	Dusek		
8,029,515	B2	*	10/2011	Shiuey	606/107	2008/0269888	A1		10/2008	Malyugin		

* cited by examiner

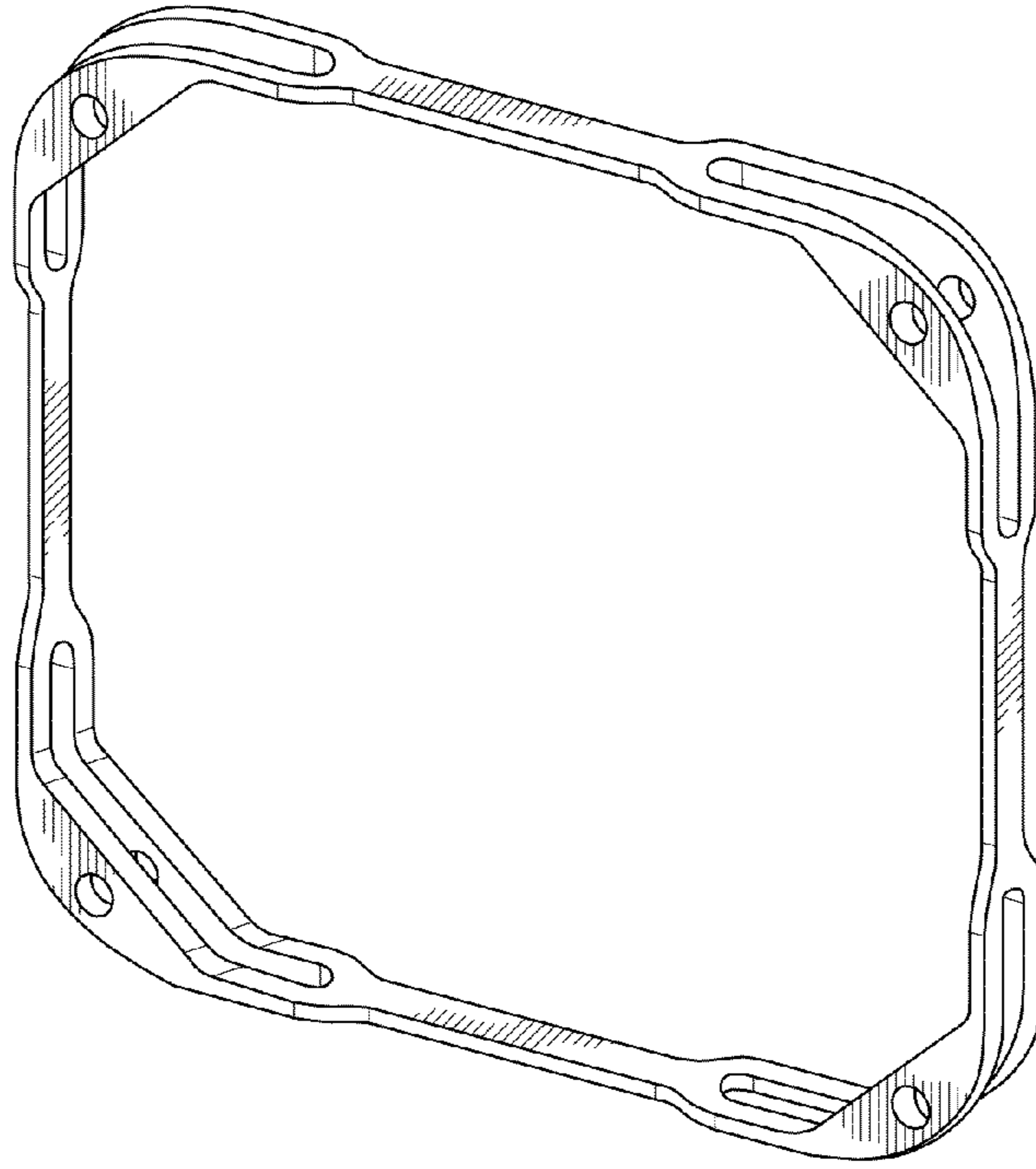


FIG. 1

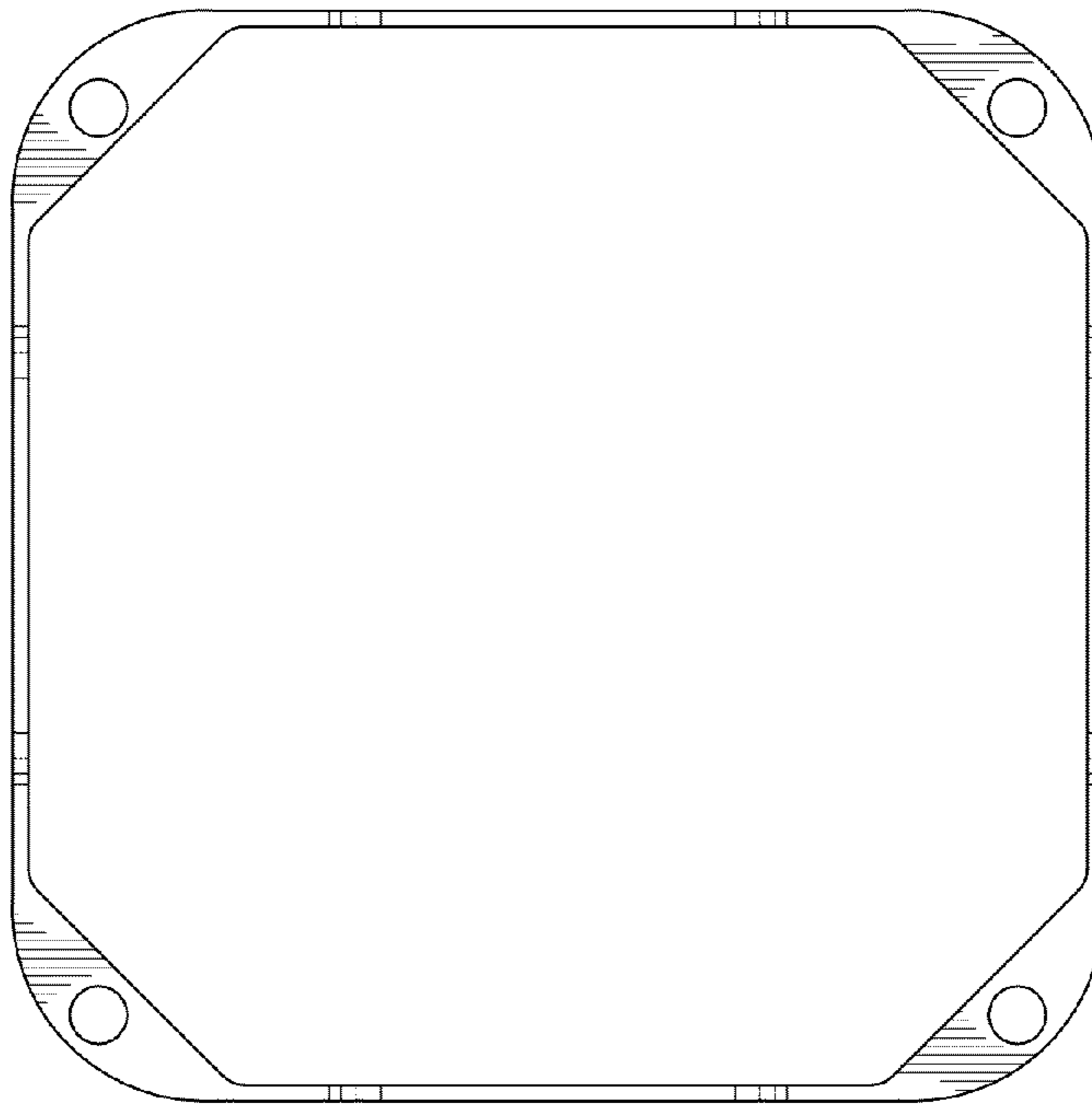


FIG. 2

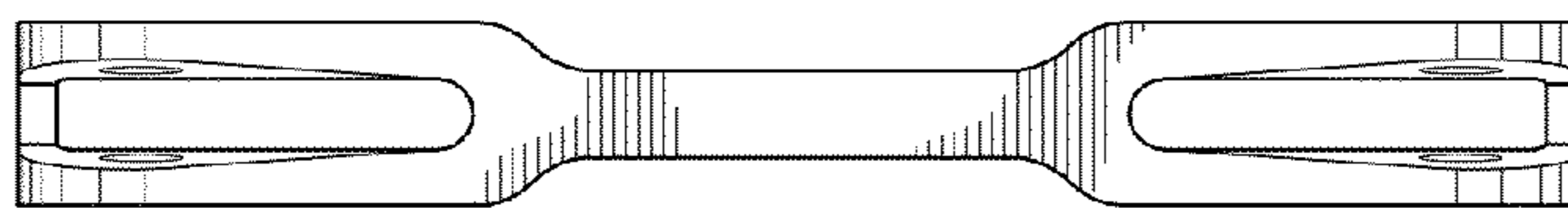


FIG. 3