



US00D686728S

(12) **United States Design Patent**  
**Chen et al.**

(10) **Patent No.:** **US D686,728 S**  
(45) **Date of Patent:** **\*\* Jul. 23, 2013**

(54) **TATTOO MACHINE DIAMOND TIP**

(71) Applicants: **Michael Chen**, Irvine, CA (US); **Wen Wei**, San Ramon, CA (US); **Billy Chen**, Irvine, CA (US)

(72) Inventors: **Michael Chen**, Irvine, CA (US); **Wen Wei**, San Ramon, CA (US); **Billy Chen**, Irvine, CA (US)

(\*\*) Term: **14 Years**

(21) Appl. No.: **29/437,641**

(22) Filed: **Nov. 19, 2012**

(51) **LOC (9) Cl.** ..... **24-02**

(52) **U.S. Cl.**  
USPC ..... **D24/144**

(58) **Field of Classification Search**  
USPC ..... D24/144, 133, 146–147; D8/30; D19/35, D19/51; 30/362; 81/9.22; 606/9, 184–186  
See application file for complete search history.

(56) **References Cited**

**U.S. PATENT DOCUMENTS**

4,159,659	A *	7/1979	Nightingale	.....	81/9.22
D294,388	S *	2/1988	Hardy et al.	.....	D24/144
D294,519	S *	3/1988	Hardy, Jr.	.....	D24/144
4,914,988	A *	4/1990	Chang	.....	81/9.22
D327,825	S *	7/1992	Oglesby et al.	.....	D8/30
D380,046	S *	6/1997	Domanowski	.....	D24/144
7,207,242	B1 *	4/2007	Daigle	.....	81/9.22
D622,000	S *	8/2010	Kluge	.....	D24/146
D638,939	S *	5/2011	Eikhoff et al.	.....	D24/144

2008/0208235	A1 *	8/2008	Ulmer et al.	.....	606/186
2009/0326570	A1 *	12/2009	Brown	.....	606/186
2012/0192681	A1 *	8/2012	Klebs et al.	.....	81/9.22

\* cited by examiner

*Primary Examiner* — Wan Laymon

(74) *Attorney, Agent, or Firm* — QuickPatents; Kevin Prince

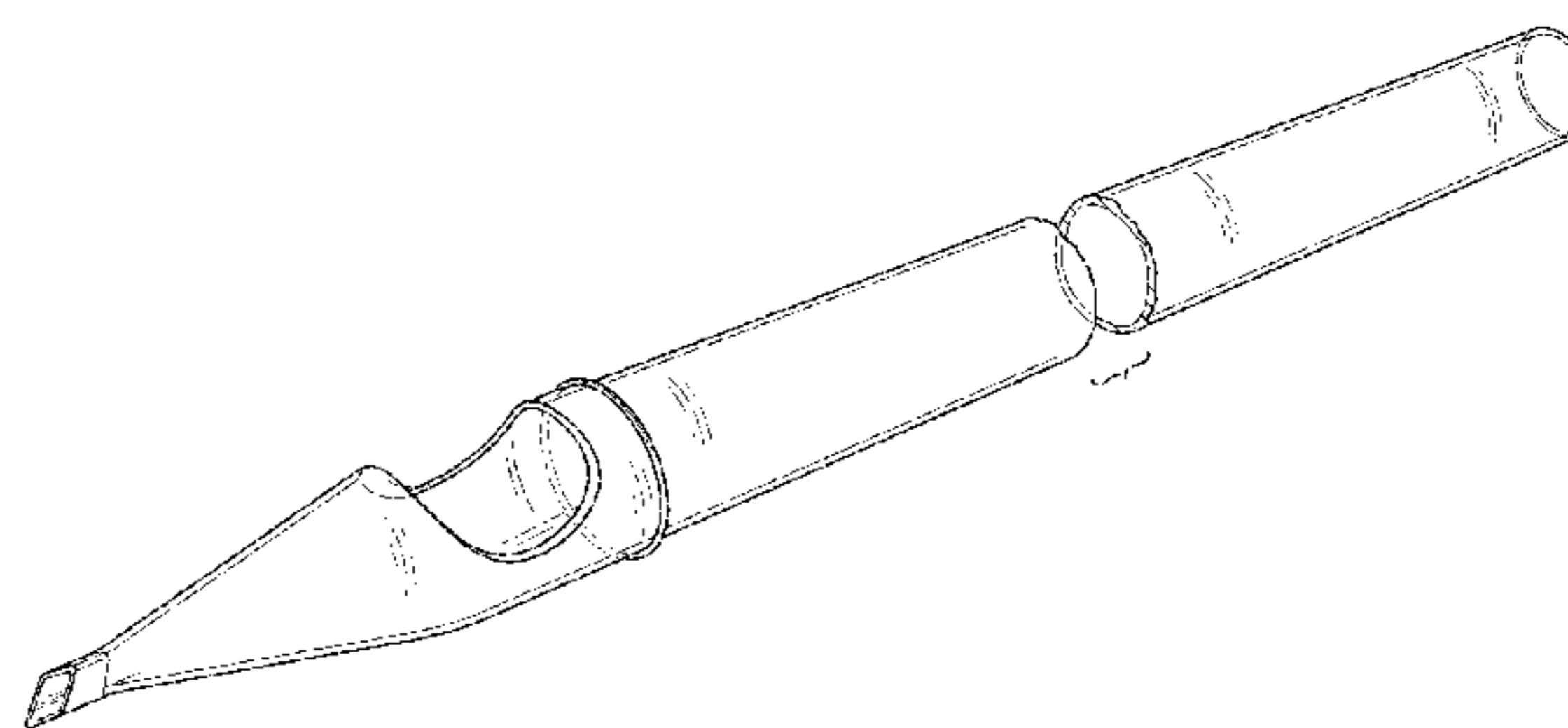
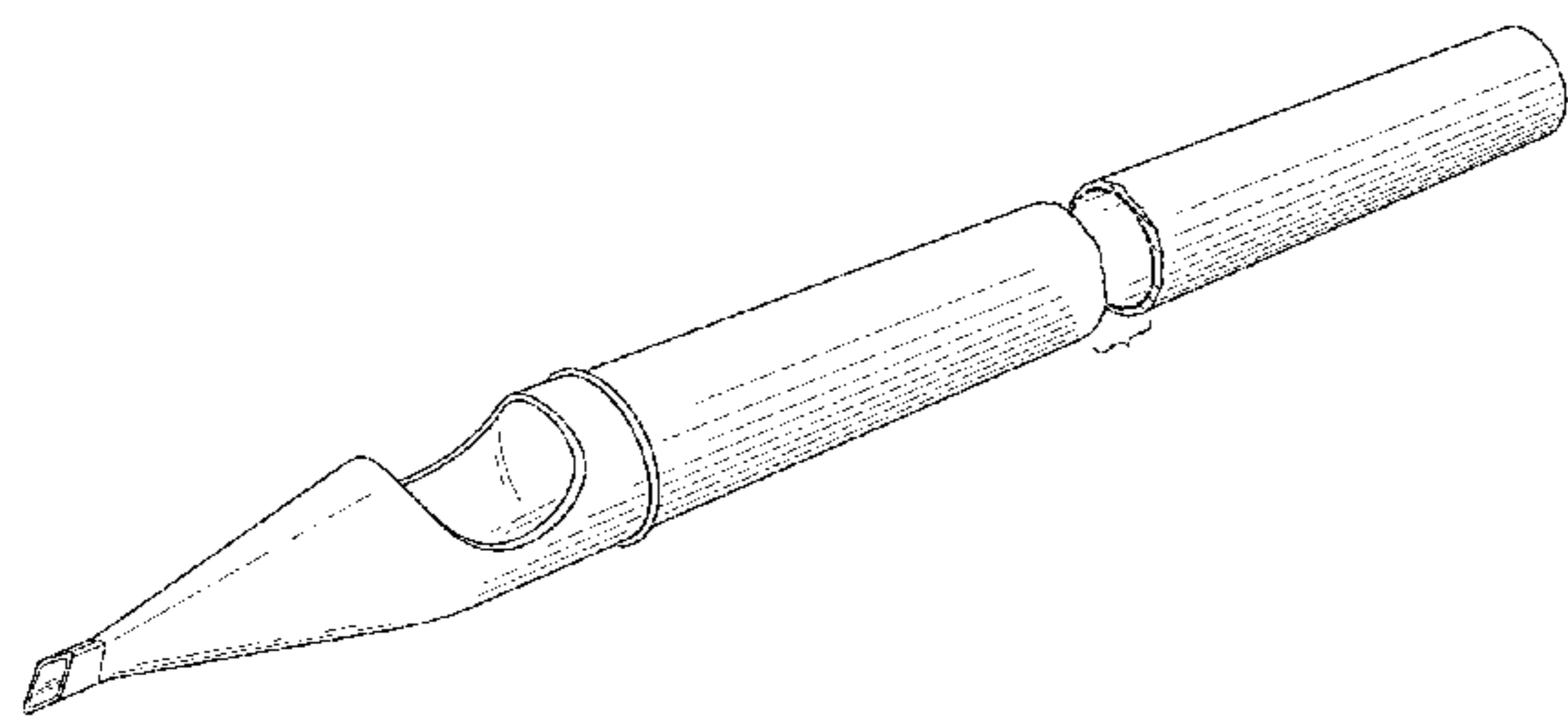
(57) **CLAIM**

We claim the ornamental design for a tattoo machine diamond tip, as shown and described.

**DESCRIPTION**

FIG. 1 is a perspective view of a tattoo machine tip, showing an opaque embodiment of our new design;  
 FIG. 2 is a top plan view of FIG. 1;  
 FIG. 3 is a bottom plan view of FIG. 1;  
 FIG. 4 is a right-side elevational view of FIG. 1, the left-side elevational view being a mirror image thereof;  
 FIG. 5 is a front elevational view of FIG. 1;  
 FIG. 6 is a rear elevational view of FIG. 1;  
 FIG. 7 is a perspective view of a non-opaque embodiment thereof;  
 FIG. 8 is a top plan view of FIG. 7;  
 FIG. 9 is a bottom plan view of FIG. 7;  
 FIG. 10 is a right-side elevational view of FIG. 7, the left-side elevational view being a mirror image thereof;  
 FIG. 11 is a front elevational view of FIG. 7; and,  
 FIG. 12 is a rear elevational view of FIG. 7.  
 The broken away symbols in the drawings indicate the appearance of any portion of the article between the break lines forms no part of the claimed design.

**1 Claim, 4 Drawing Sheets**



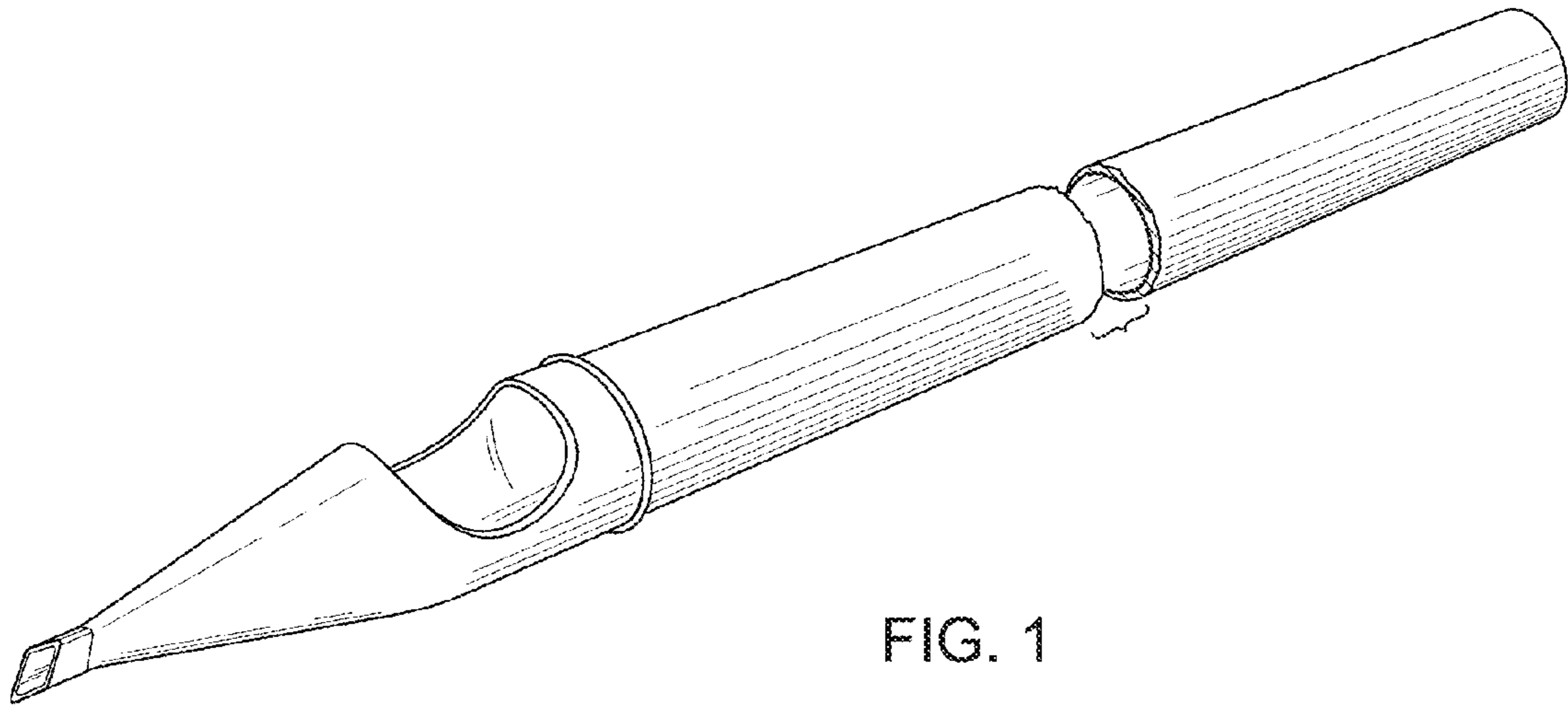


FIG. 1

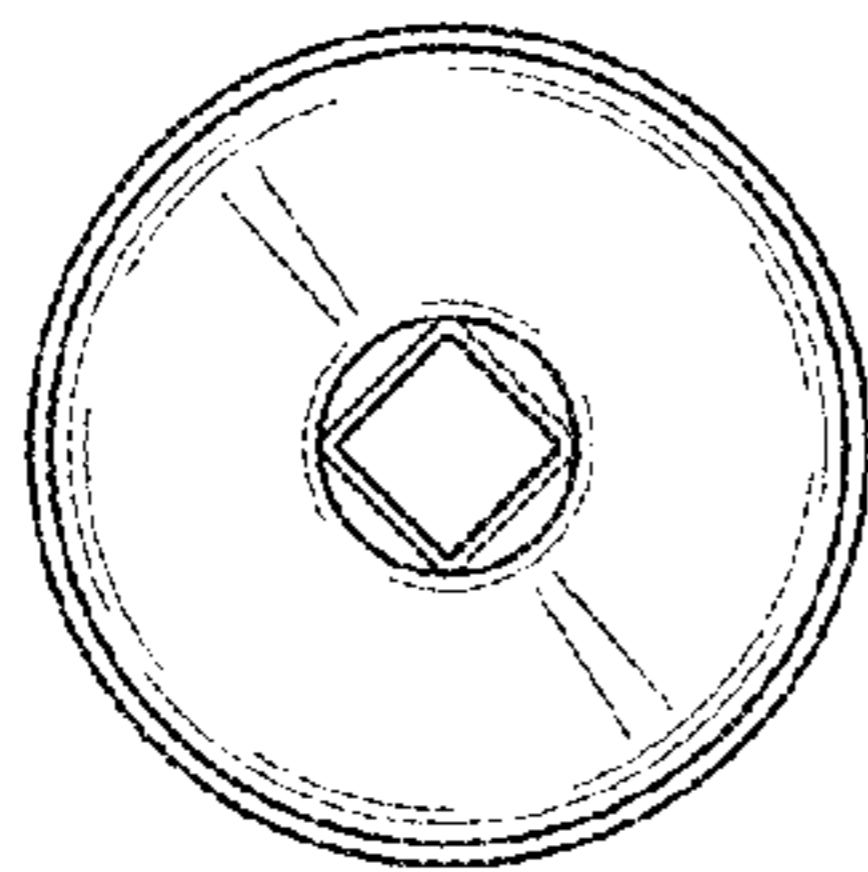


FIG. 5

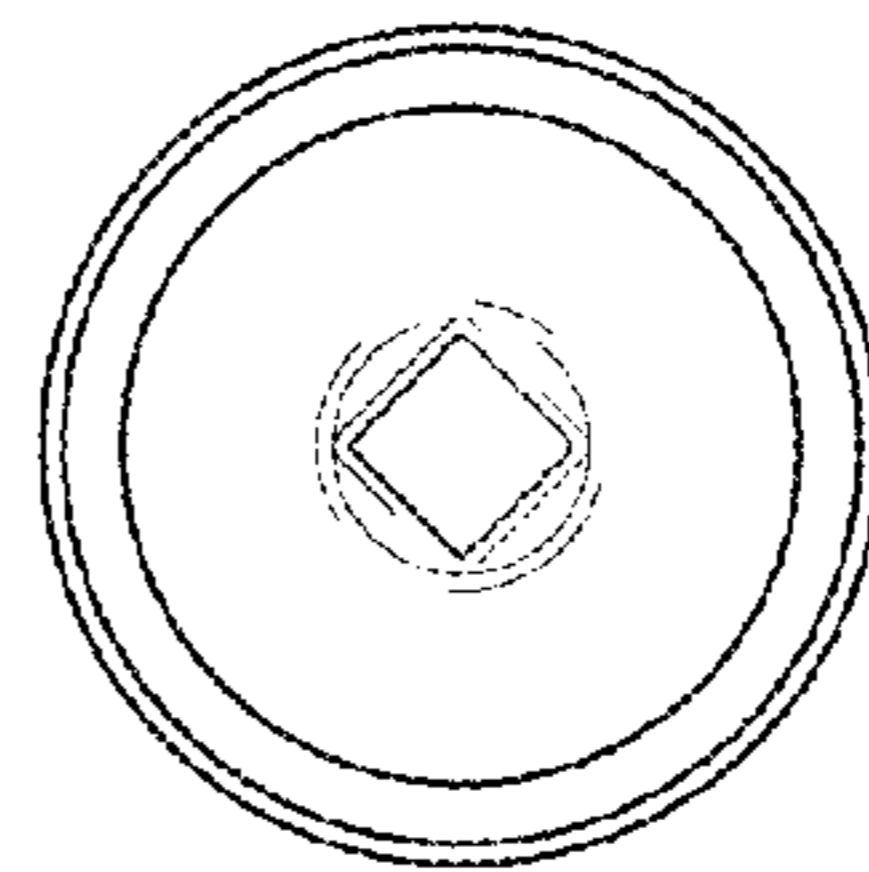


FIG. 6

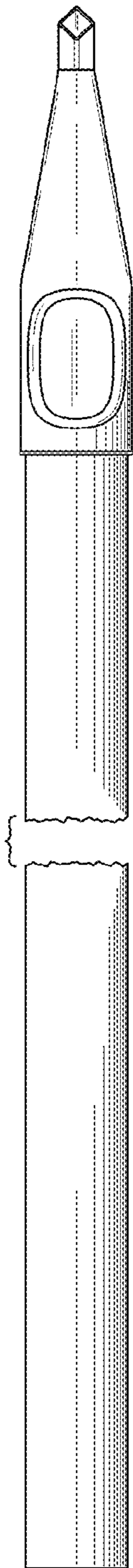


FIG. 2

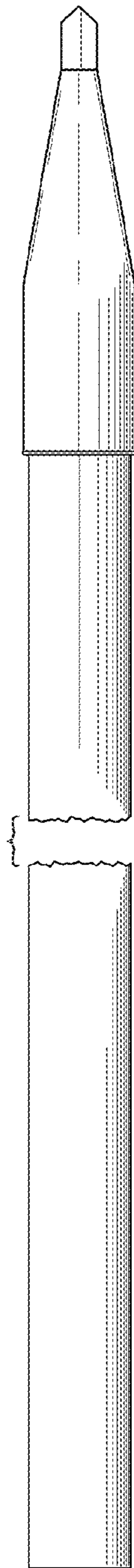


FIG. 3

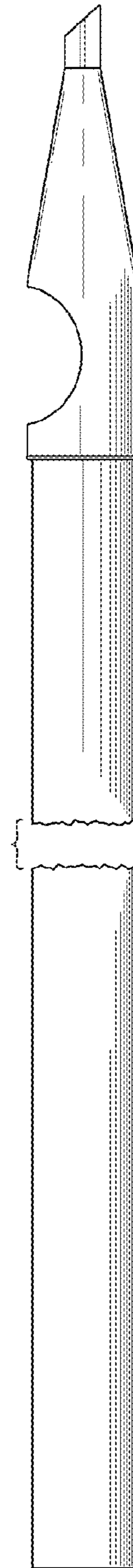


FIG. 4

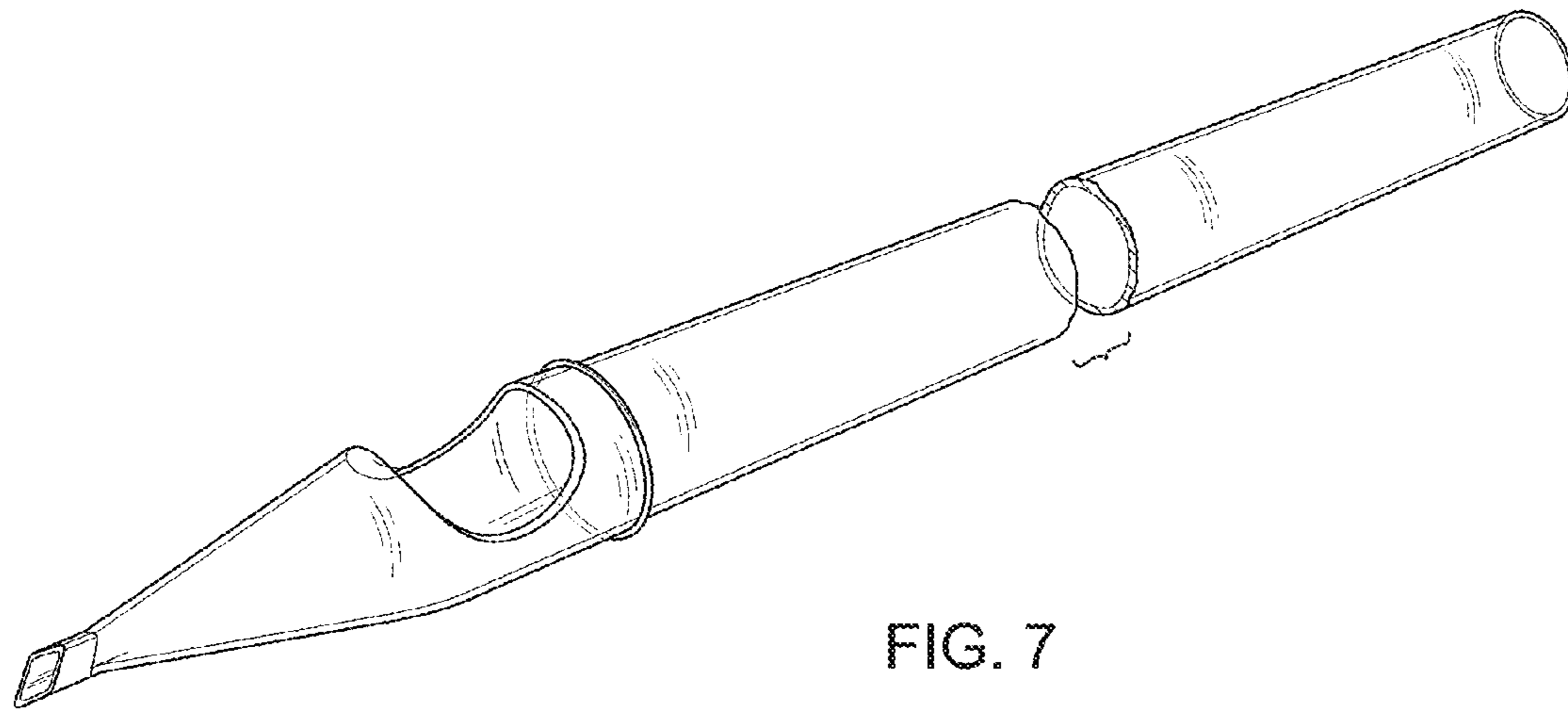


FIG. 7

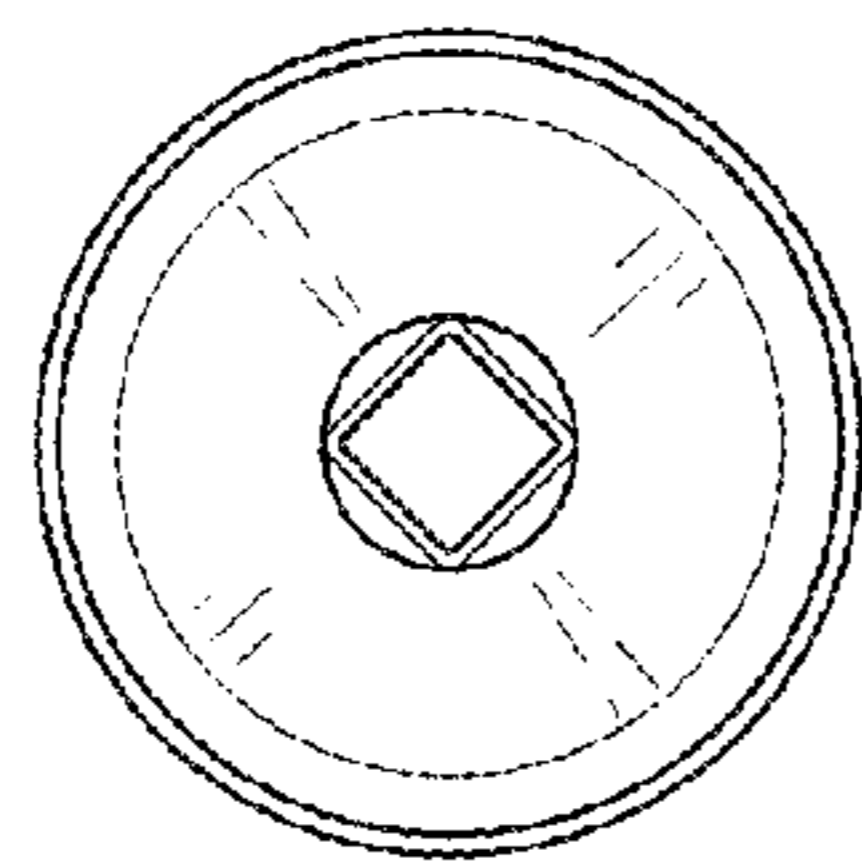


FIG. 11

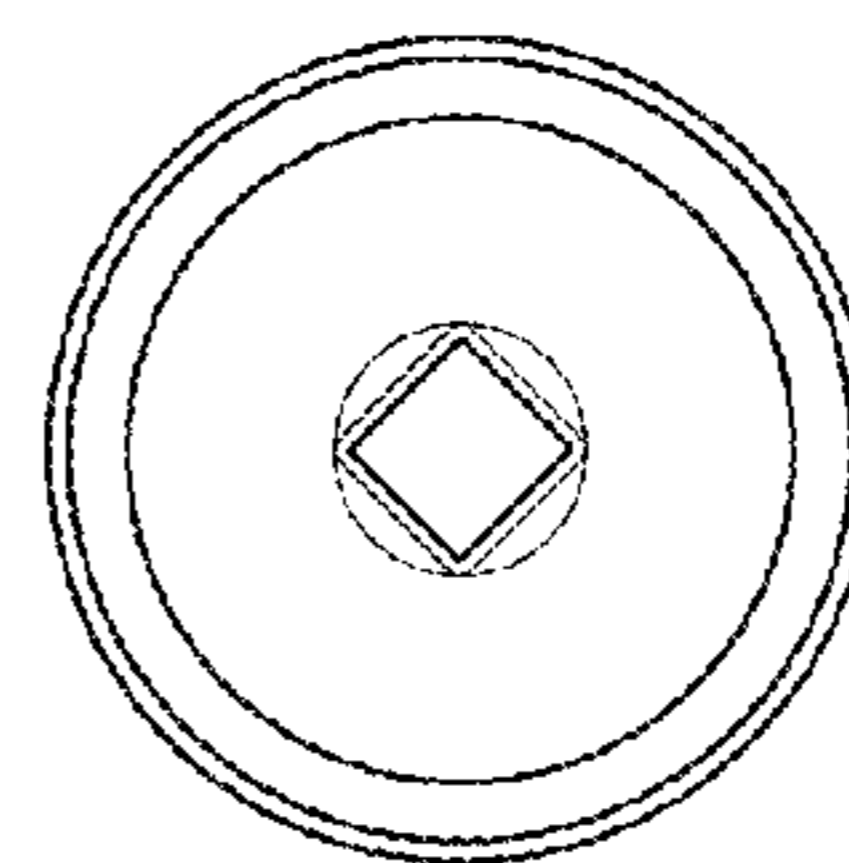


FIG. 12

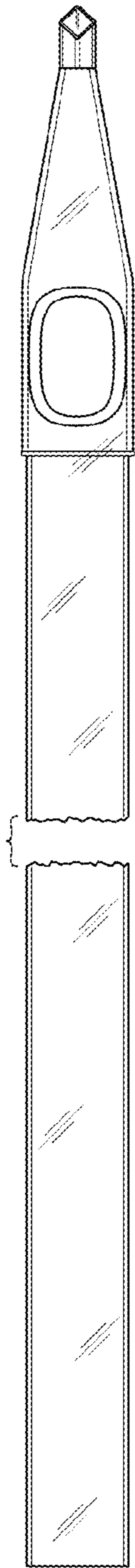


FIG. 8

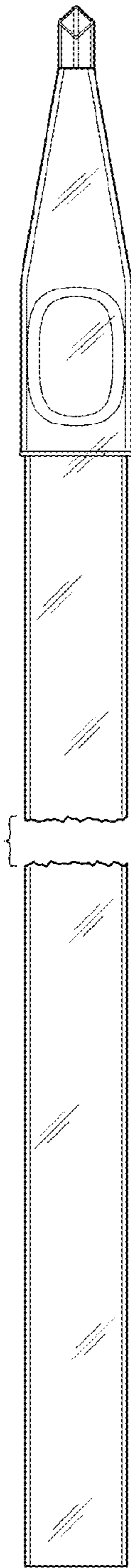


FIG. 9

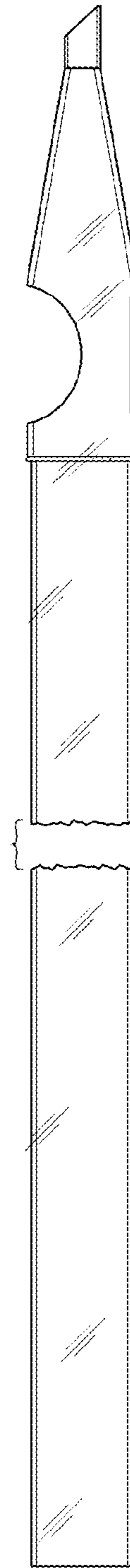


FIG. 10