



US00D686725S

(12) **United States Design Patent**  
**Amirav et al.**

(10) **Patent No.:** **US D686,725 S**  
(45) **Date of Patent:** **\*\* Jul. 23, 2013**

(54) **MASK FOR ADMINISTRATION OF INHALED MEDICATION**

(75) Inventors: **Israel Amirav**, Rosh Pina (IL); **Michael Newhouse**, Hamilton (CA); **Asaf Halamish**, Pardes Hana-Karkur (IL); **K. Mosaddeq Hossain**, Hillsborough, NJ (US); **Paresh Vasandani**, New Brunswick, NJ (US); **Vijay Shukla**, Highland Park, NJ (US)

(73) Assignee: **Nostrum Technology LLC**, Somerset, NJ (US)

(\*\*) Term: **14 Years**

(21) Appl. No.: **29/394,567**

(22) Filed: **Jun. 17, 2011**

(51) **LOC (9) Cl.** ..... **29-02**

(52) **U.S. Cl.**  
USPC ..... **D24/110.1**

(58) **Field of Classification Search**  
USPC ..... D24/110-110.6; 128/205.25, 206.12, 128/206.21, 206.24, 206.28, 207.12, 207.11, 128/206.15, 200.21, 200.22, 203.12  
See application file for complete search history.

(56) **References Cited**

**U.S. PATENT DOCUMENTS**

2,762,368 A \* 9/1956 Bloomfield ..... 128/206.28  
3,182,659 A \* 5/1965 Blount ..... 128/207.12  
4,848,334 A \* 7/1989 Bellm ..... 128/207.11

4,938,209 A \* 7/1990 Fry ..... 128/200.21  
5,474,060 A \* 12/1995 Evans ..... 128/204.22  
5,586,551 A \* 12/1996 Hilliard ..... 128/203.29  
5,758,642 A \* 6/1998 Choi ..... 128/206.21  
5,988,160 A \* 11/1999 Foley et al. .... 128/200.22  
6,340,023 B2 \* 1/2002 Elkins ..... 128/200.21  
6,871,648 B1 \* 3/2005 Winekoff ..... 128/205.13  
7,013,896 B2 \* 3/2006 Schmidt ..... 128/206.15  
7,669,595 B1 \* 3/2010 Mitchell ..... 128/203.12  
2001/0035181 A1 \* 11/2001 Elkins ..... 128/200.21  
2008/0110463 A1 \* 5/2008 Hajgato et al. .... 128/205.25  
2009/0260628 A1 \* 10/2009 Flynn, Sr. .... 128/203.28

\* cited by examiner

*Primary Examiner* — Richard E Chilcot

(74) *Attorney, Agent, or Firm* — Andrew H. Berks

(57) **CLAIM**

The ornamental design for a mask for the administration of inhaled medication, as shown and described.

**DESCRIPTION**

FIG. 1. Perspective view of the front of the mask, viewed from the top left.  
FIG. 2. Perspective view of the rear of the mask, viewed from the top right.  
FIG. 3. An elevation view of the front of the mask.  
FIG. 4. An elevation view of the left side of the mask. An elevation of the right side would be an identical mirror image.  
FIG. 5. An elevation view of the top of the mask; and,  
FIG. 6. An elevation view of the bottom of the of the mask.

**1 Claim, 3 Drawing Sheets**

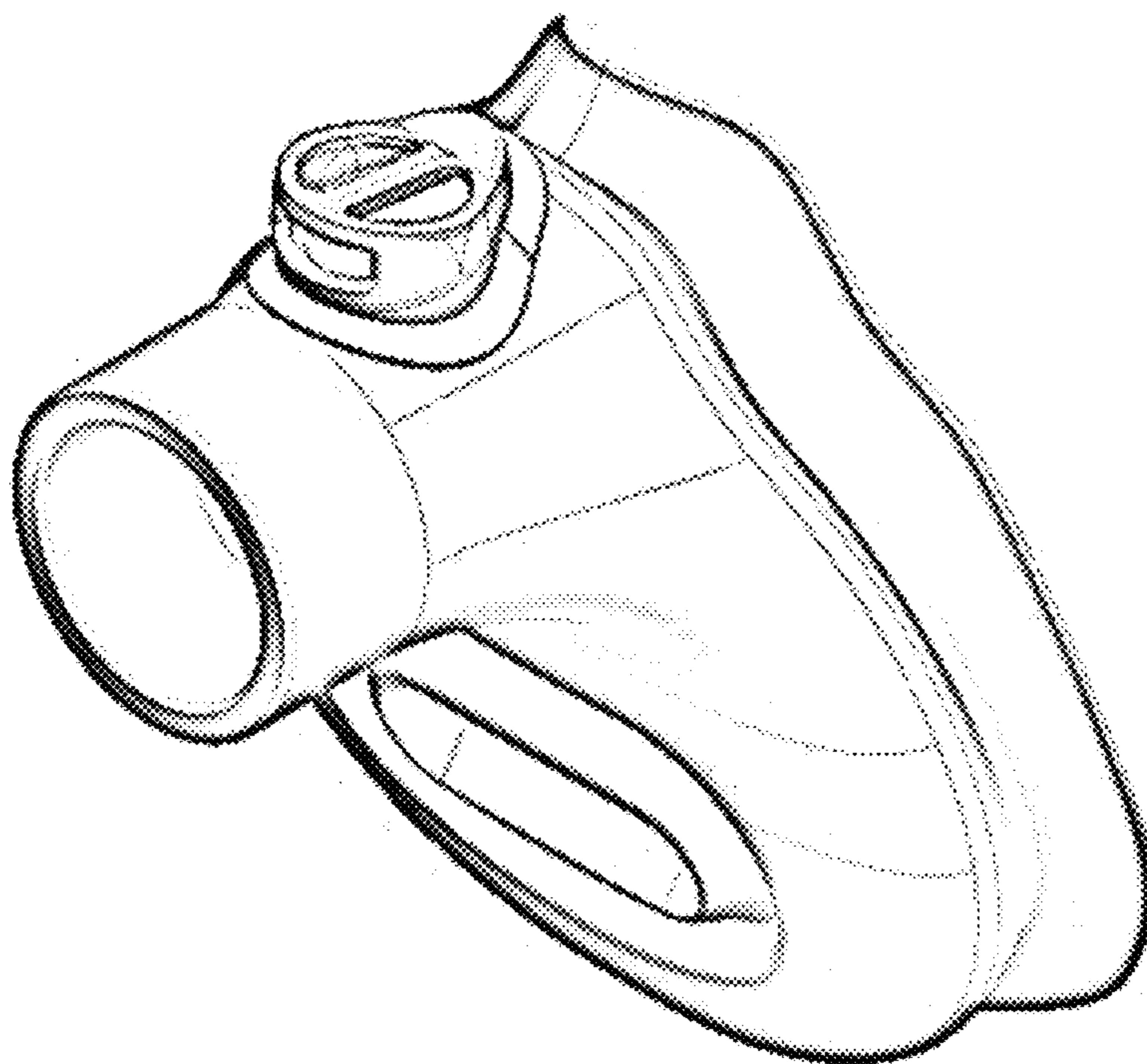


FIGURE 1

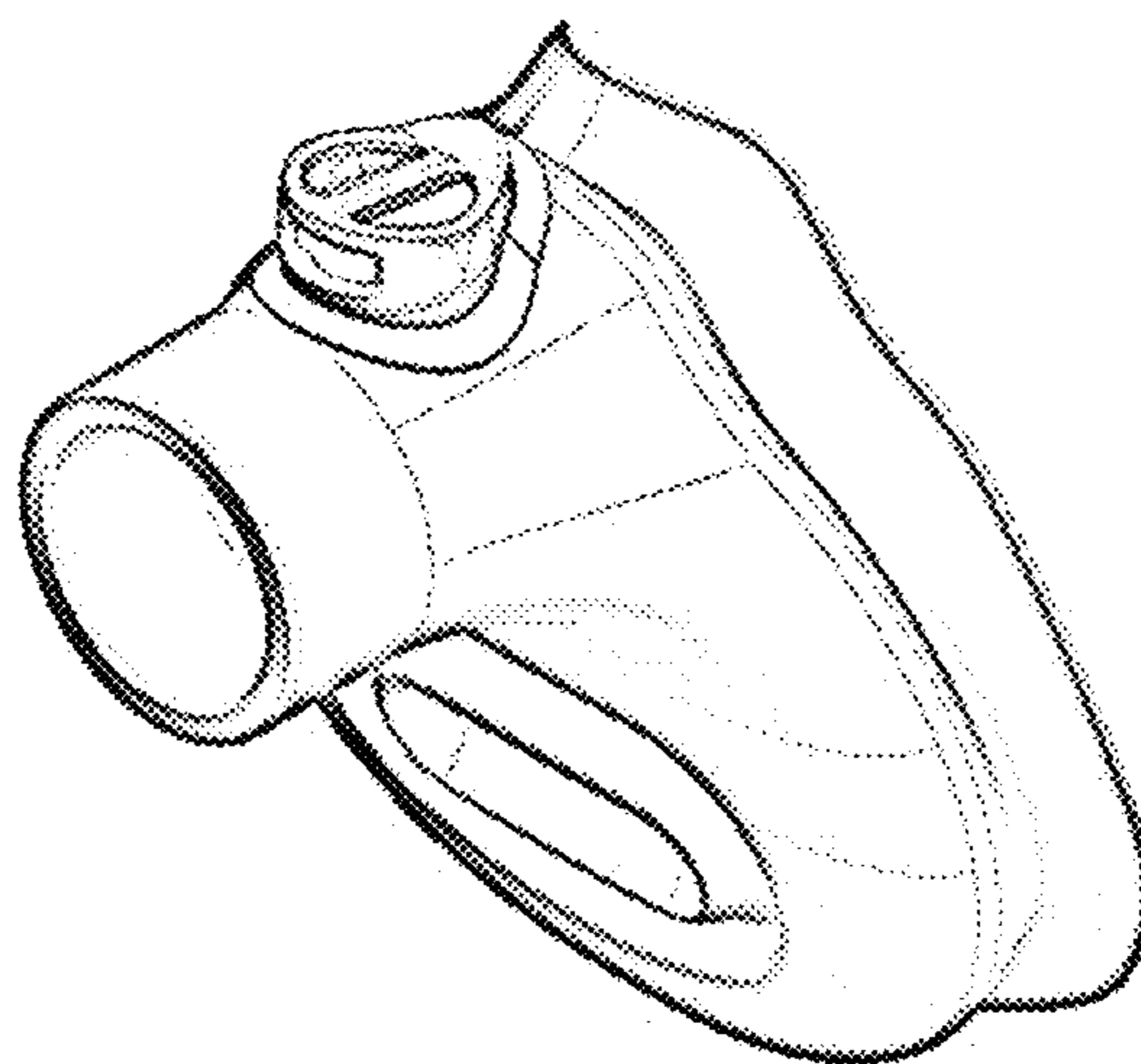


FIGURE 2

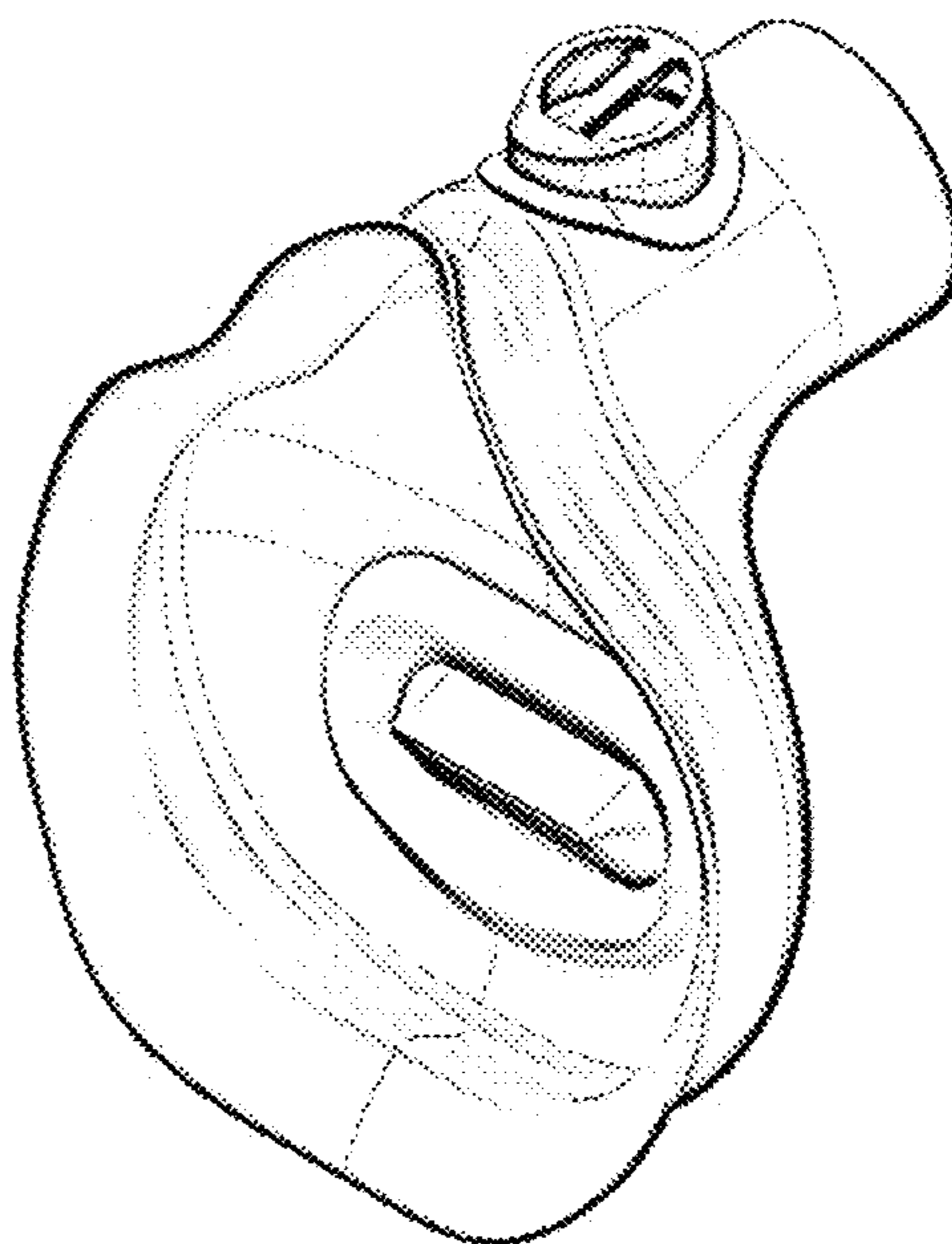


FIGURE 3

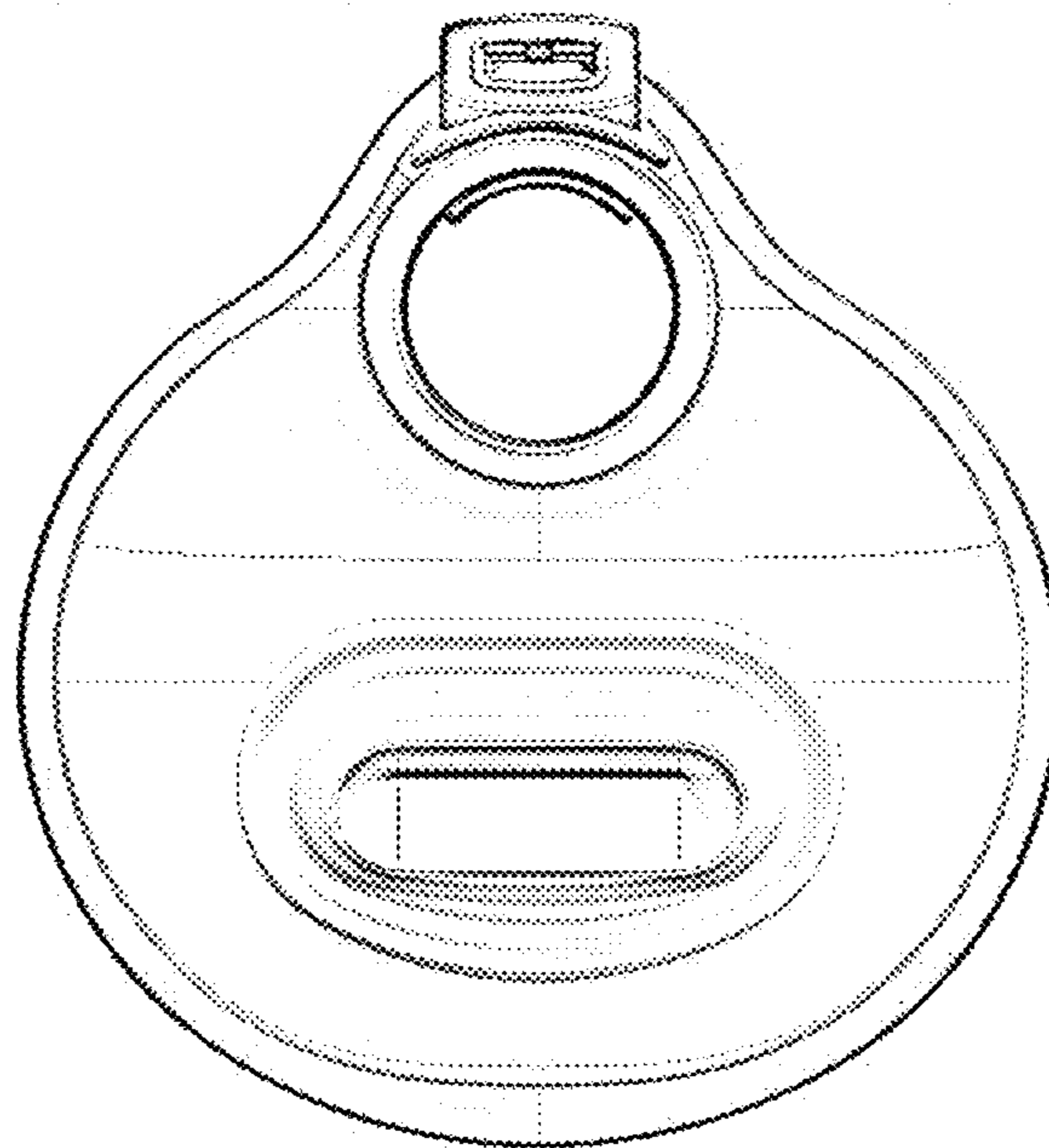


FIGURE 4

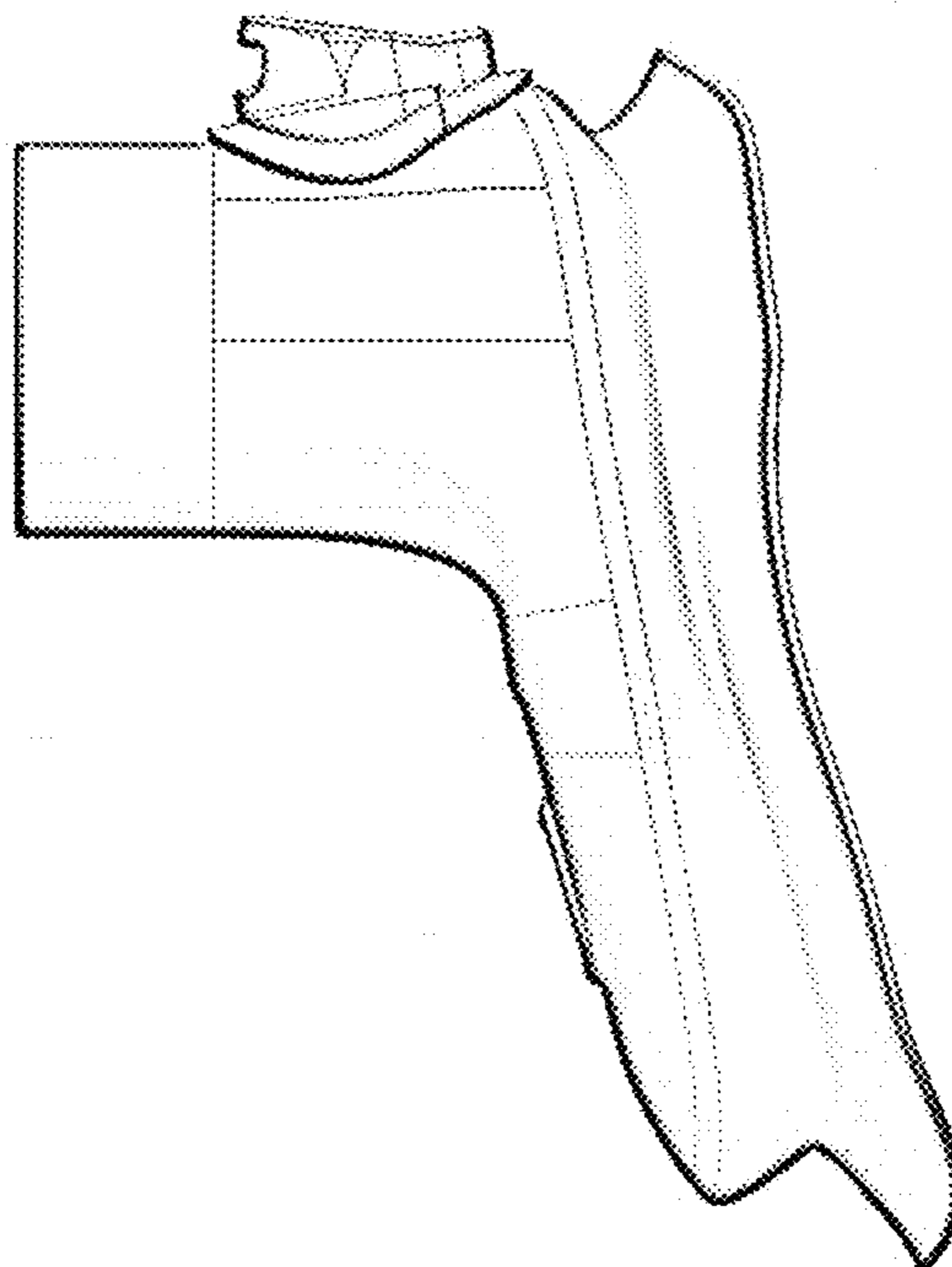


FIGURE 5

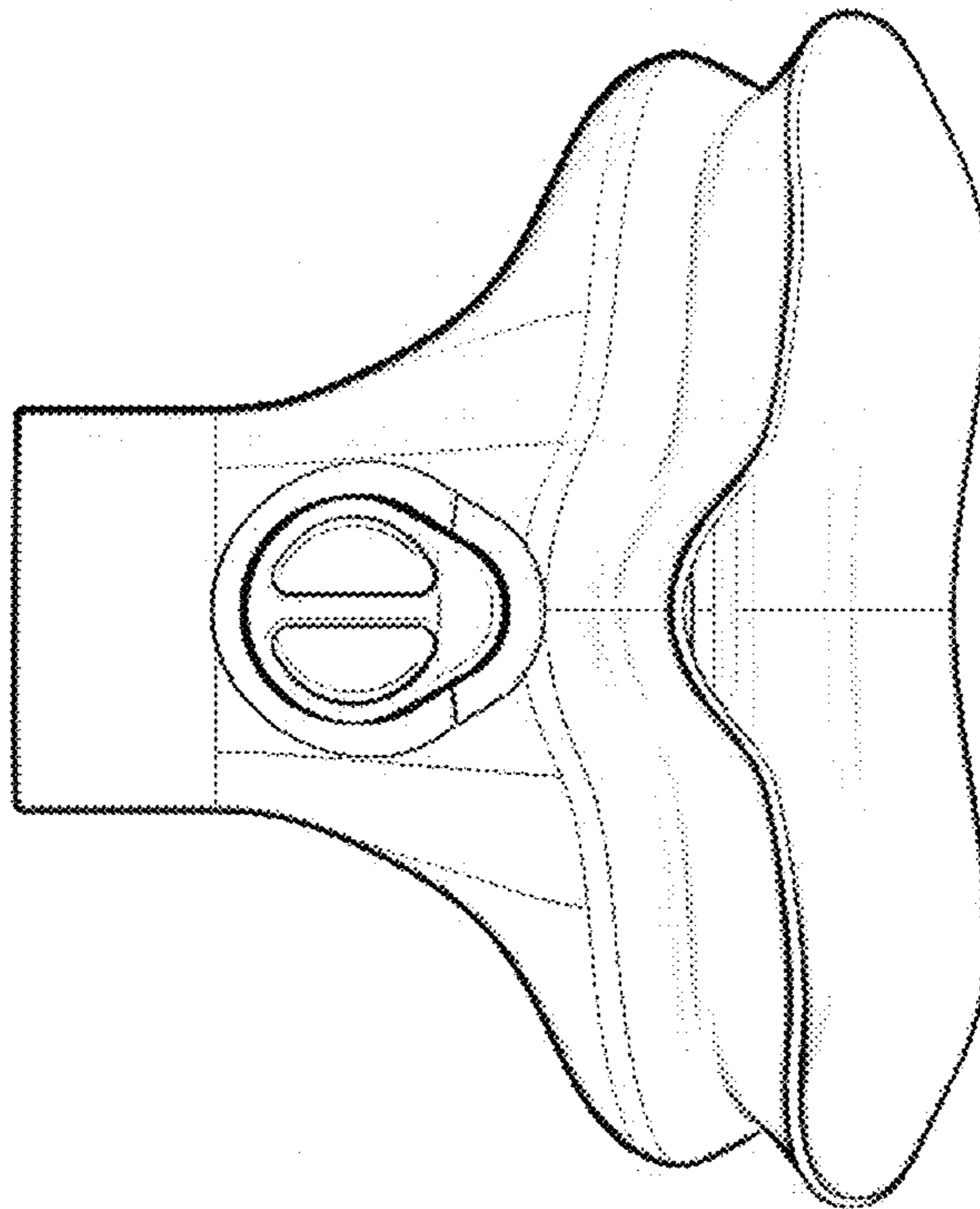


FIGURE 6

