



US00D686723S

(12) **United States Design Patent**
Gulau et al.

(10) **Patent No.:** **US D686,723 S**
(45) **Date of Patent:** **** Jul. 23, 2013**

(54) **BED FAN**

DESCRIPTION

(75) Inventors: **Stephen Gulau**, Chicago, IL (US);
Christopher M. Petersen, Milford, NH (US)

(73) Assignee: **Brookstone Purchasing, Inc.**,
Merrimack, NH (US)

(**) Term: **14 Years**

(21) Appl. No.: **29/413,335**

(22) Filed: **Feb. 14, 2012**

(51) **LOC (9) Cl.** **23-04**

(52) **U.S. Cl.**
USPC **D23/370; D23/378**

(58) **Field of Classification Search**
USPC D23/381–383, 370–379, 385–388,
D23/393, 394, 399, 411–414, 355, 356,
D23/332–342; 454/237–253, 186, 228–236,
454/192; 52/302.1; 417/423.1, 423.14;
415/182.1, 200, 90; 416/244 R, 246, 247 R;
D6/309; D21/430, 436, 442, 447, 450, 453,
D21/458; 5/421, 423

See application file for complete search history.

(56) **References Cited**

U.S. PATENT DOCUMENTS

D564,645 S *	3/2008	Shapiro	D23/317
D594,948 S *	6/2009	Lewis	D23/314
D625,799 S *	10/2010	Salisbury et al.	D23/370
7,908,688 B2	3/2011	Tompkins		
2006/0085911 A1	4/2006	Tompkins		
2008/0060131 A1	3/2008	Tompkins		

* cited by examiner

Primary Examiner — George D Kirschbaum

Assistant Examiner — Janice Hallmark

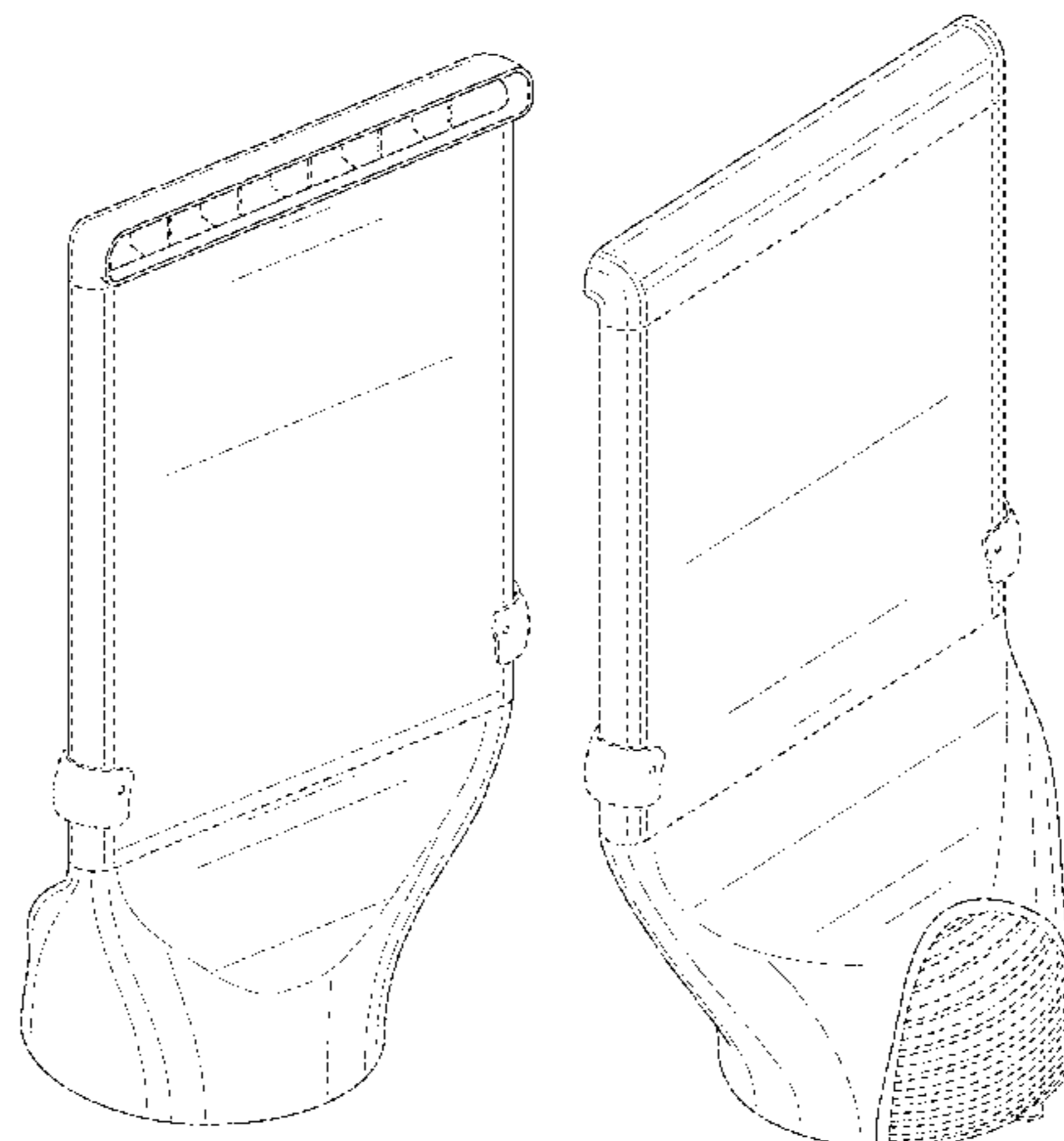
(74) *Attorney, Agent, or Firm* — Grossman Tucker
Perreault & Pflieger, PLLC

(57) **CLAIM**

The ornamental design for a bed fan, as shown and described.

FIG. 1 is a front perspective view of a bed fan.
 FIG. 2 is a rear perspective view thereof.
 FIG. 3 is a front elevation view thereof.
 FIG. 4 is a rear elevation view thereof.
 FIG. 5 is a side elevation view thereof.
 FIG. 6 is a top plan view thereof.
 FIG. 7 is a bottom plan view thereof.
 FIG. 8 is a front perspective view of a bed fan in an extended position.
 FIG. 9 is a rear perspective view of the bed fan in an extended position.
 FIG. 10 is a front elevation view of the bed fan in an extended position.
 FIG. 11 is a rear elevation view of the bed fan in an extended position.
 FIG. 12 is a side elevation view of the bed fan in an extended position.
 FIG. 13 is a front perspective view of a bed fan with the fan outlet in a reverse position.
 FIG. 14 is a rear perspective view of the bed fan with the fan outlet in a reverse position.
 FIG. 15 is a front elevation view of the bed fan with the fan outlet in a reverse position.
 FIG. 16 is a rear elevation view of the bed fan with the fan outlet in a reverse position.
 FIG. 17 is a side elevation view of the bed fan with the fan outlet in a reverse position.
 FIG. 18 is a top plan view of the bed fan with the fan outlet in a reverse position.
 FIG. 19 is a bottom plan view of the bed fan with the exhaust port in a reverse position.
 FIG. 20 is a front perspective view of a bed fan in an extended position and with the fan outlet in a reverse position.
 FIG. 21 is a rear perspective view of the bed fan in an extended position and with the fan outlet in a reverse position.
 FIG. 22 is a front elevation view of the bed fan in an extended position and with the fan outlet in a reverse position.
 FIG. 23 is a rear elevation view of the bed fan in an extended position and with the fan outlet in a reverse position; and,
 FIG. 24 is a side elevation view of the bed fan in an extended position and with the fan outlet in a reverse position.
 The broken line showing of structure is included for the purpose of illustrating portions of the “article” and forms no part of the claimed design.

1 Claim, 22 Drawing Sheets



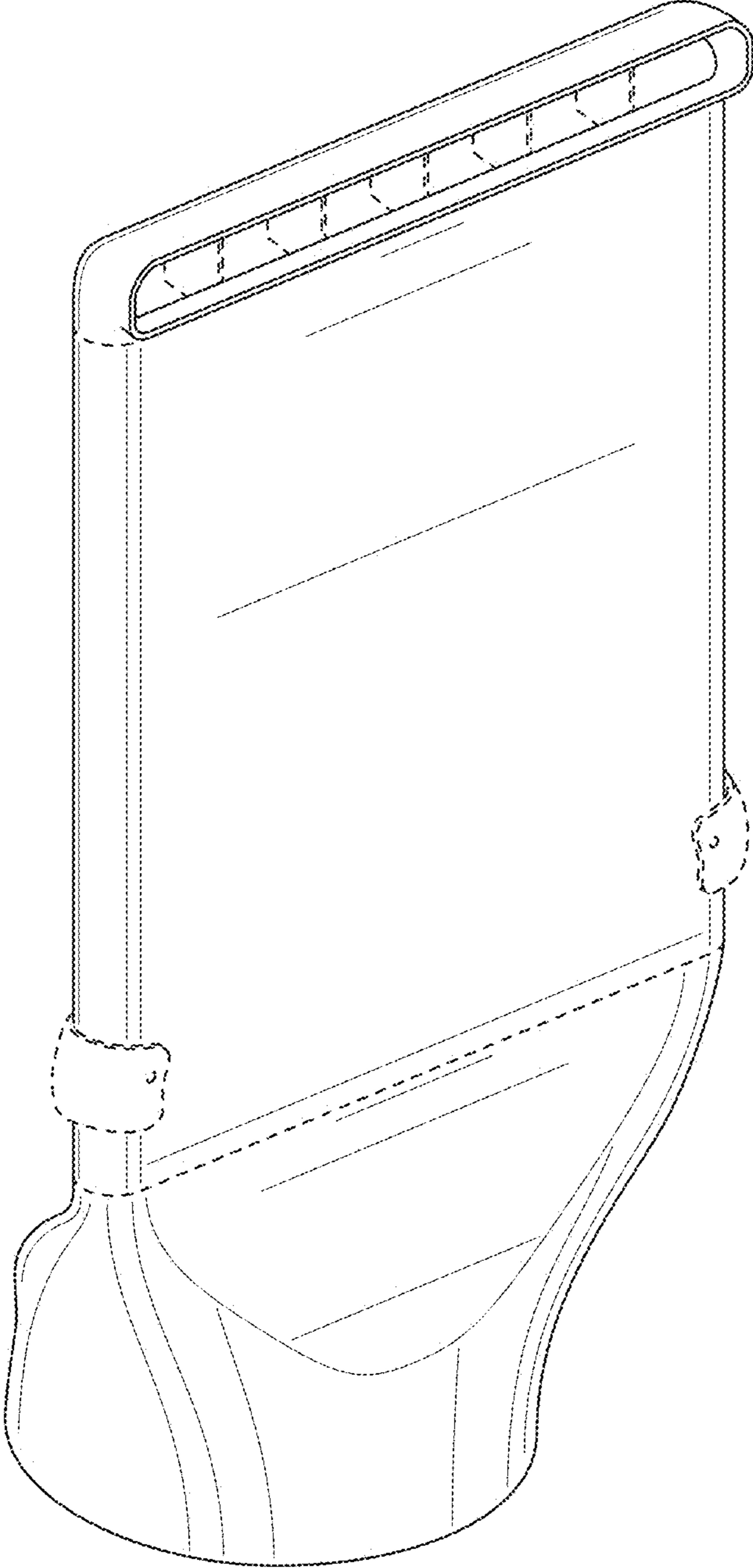


FIG. 1

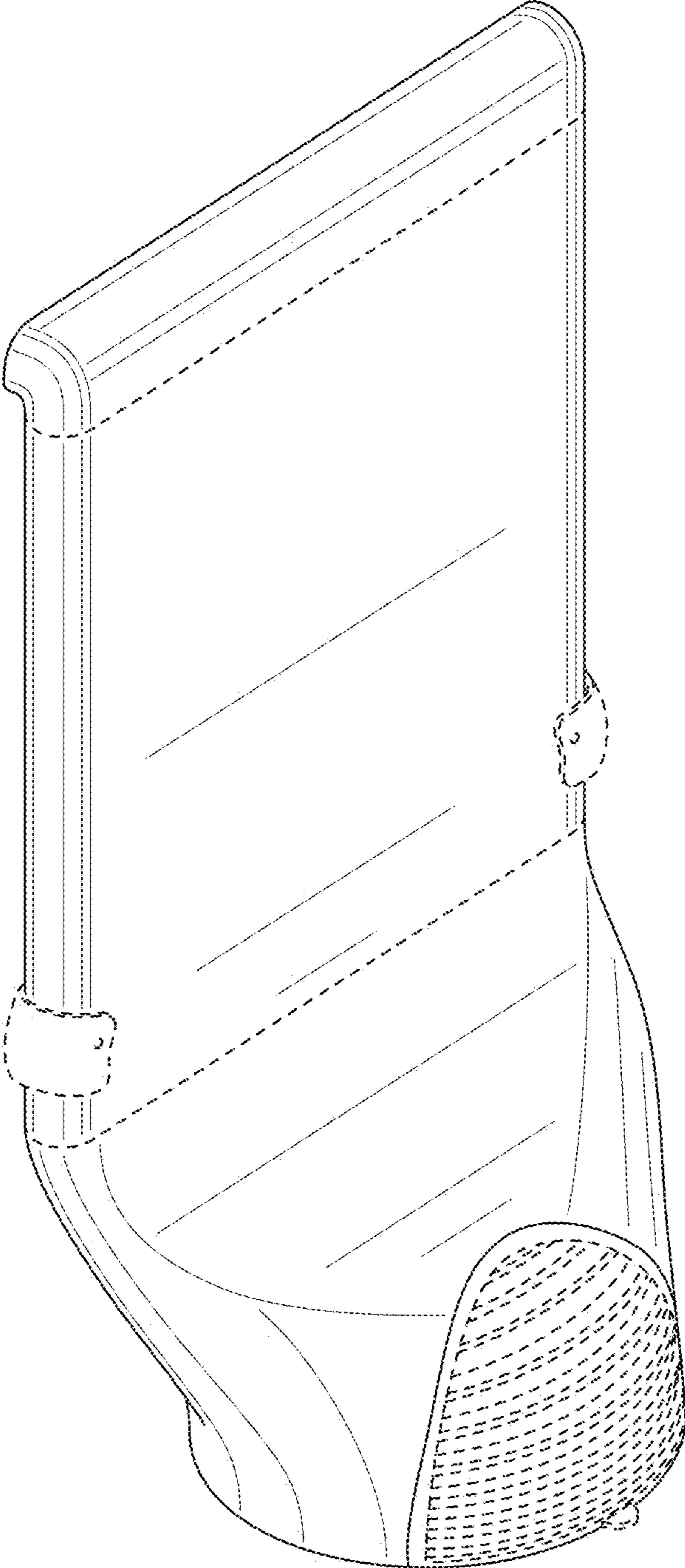


FIG. 2

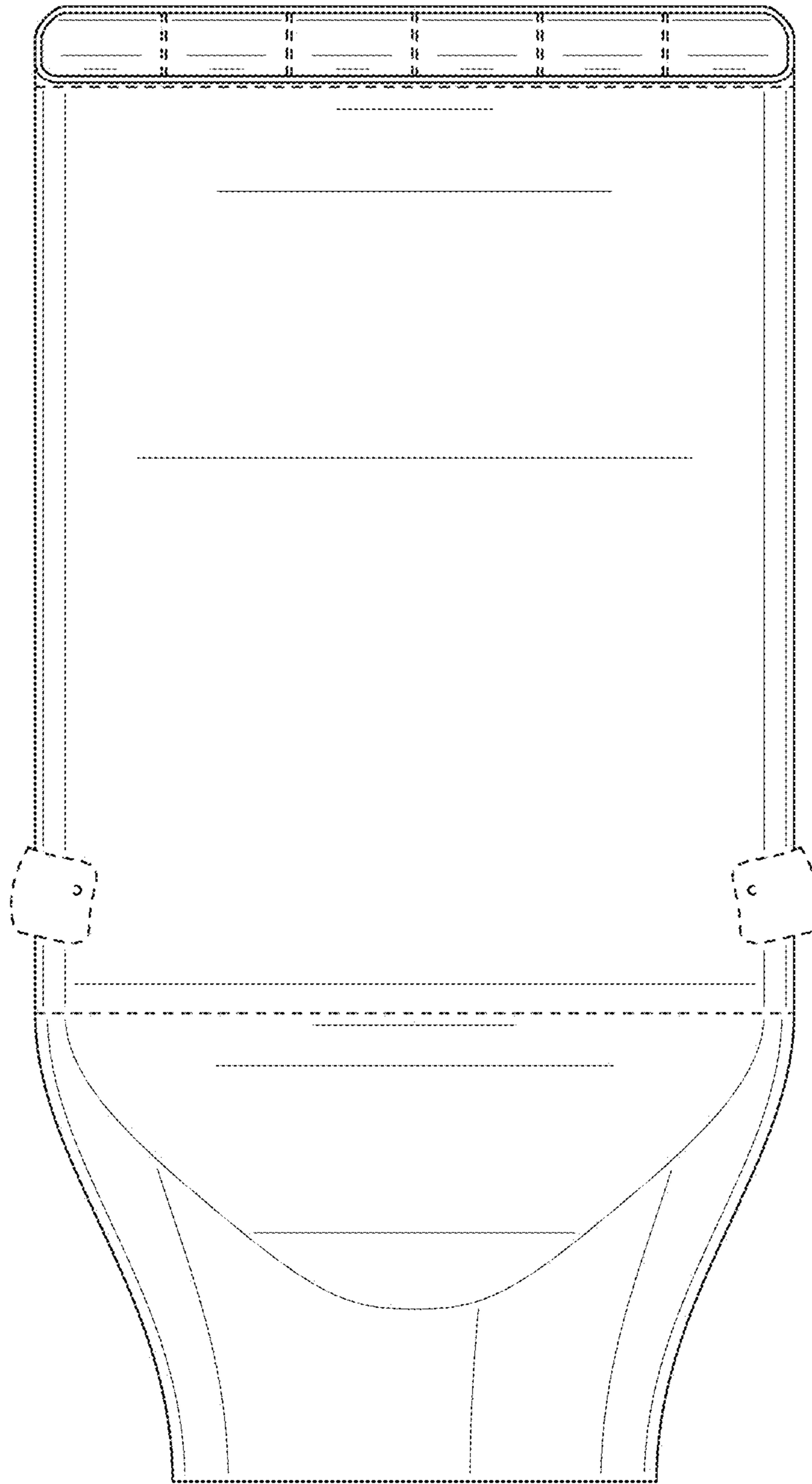


FIG. 3

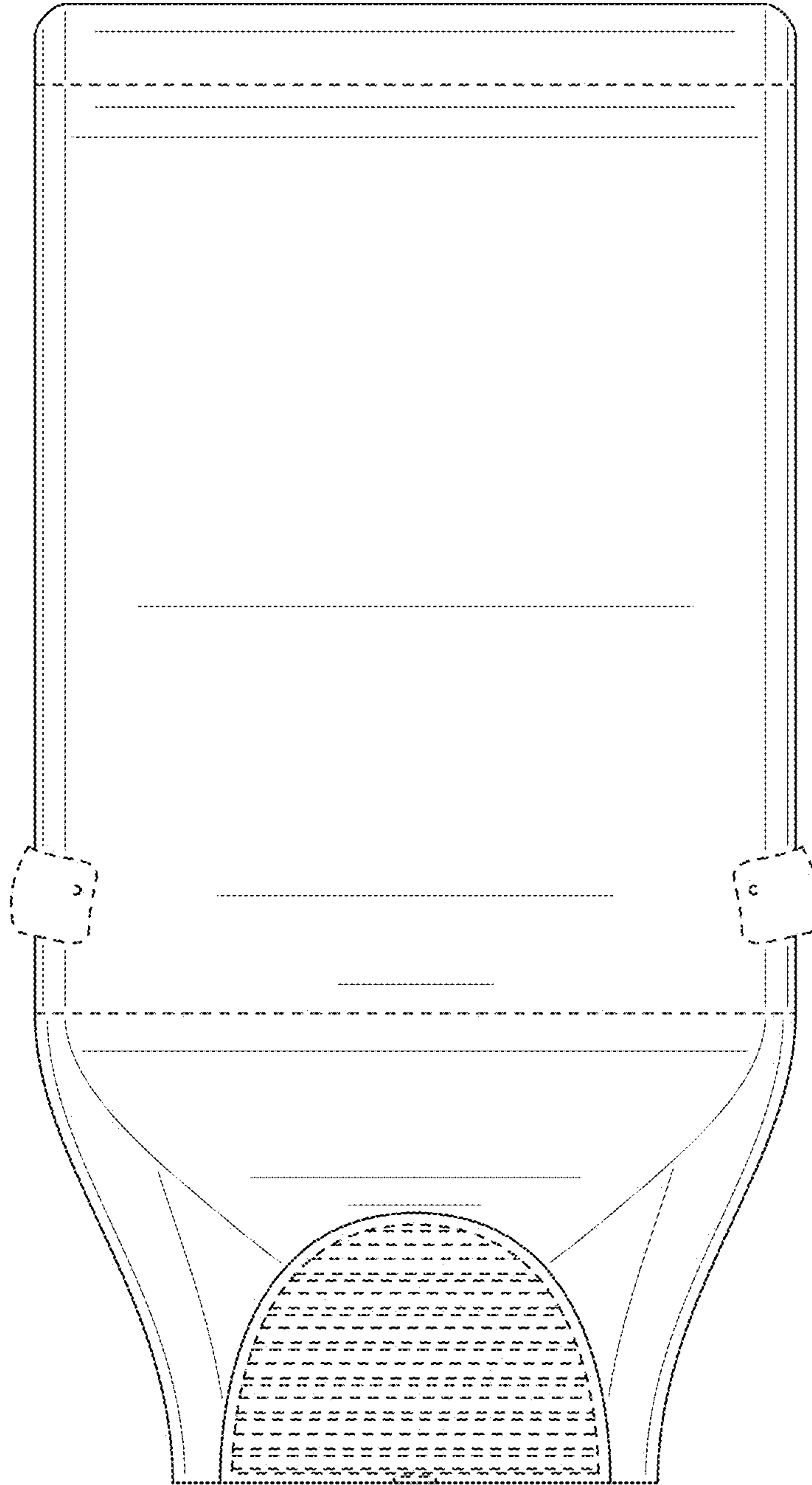


FIG. 4

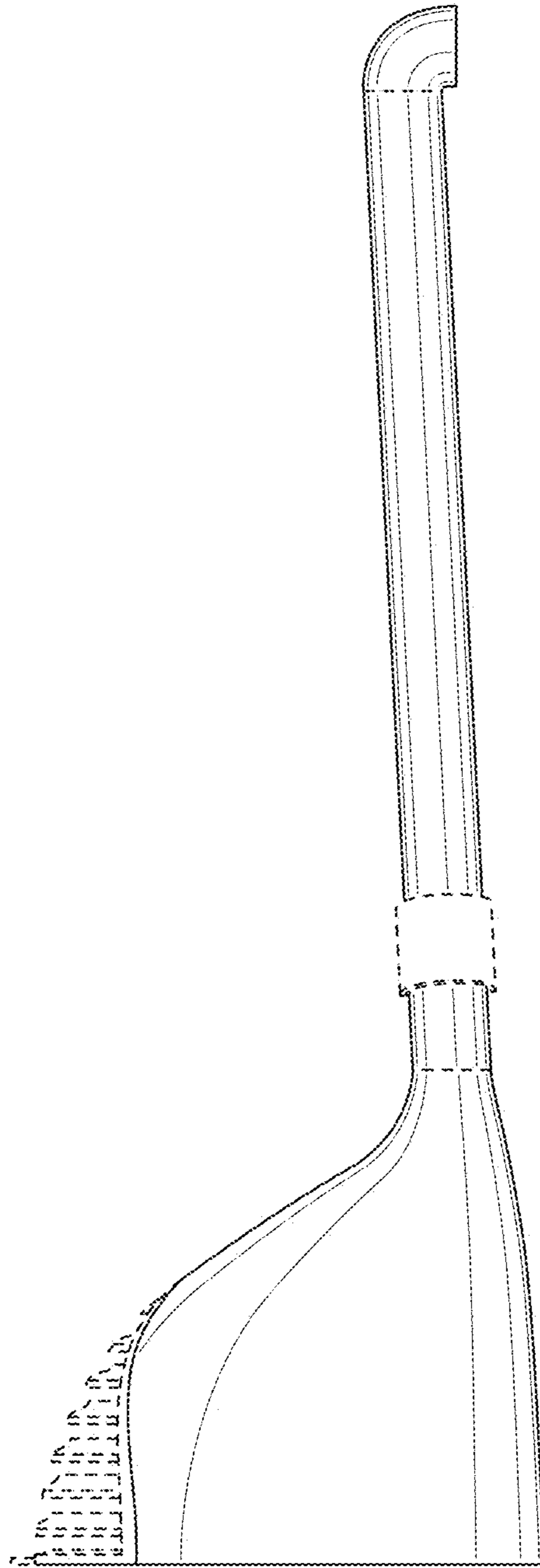


FIG. 5

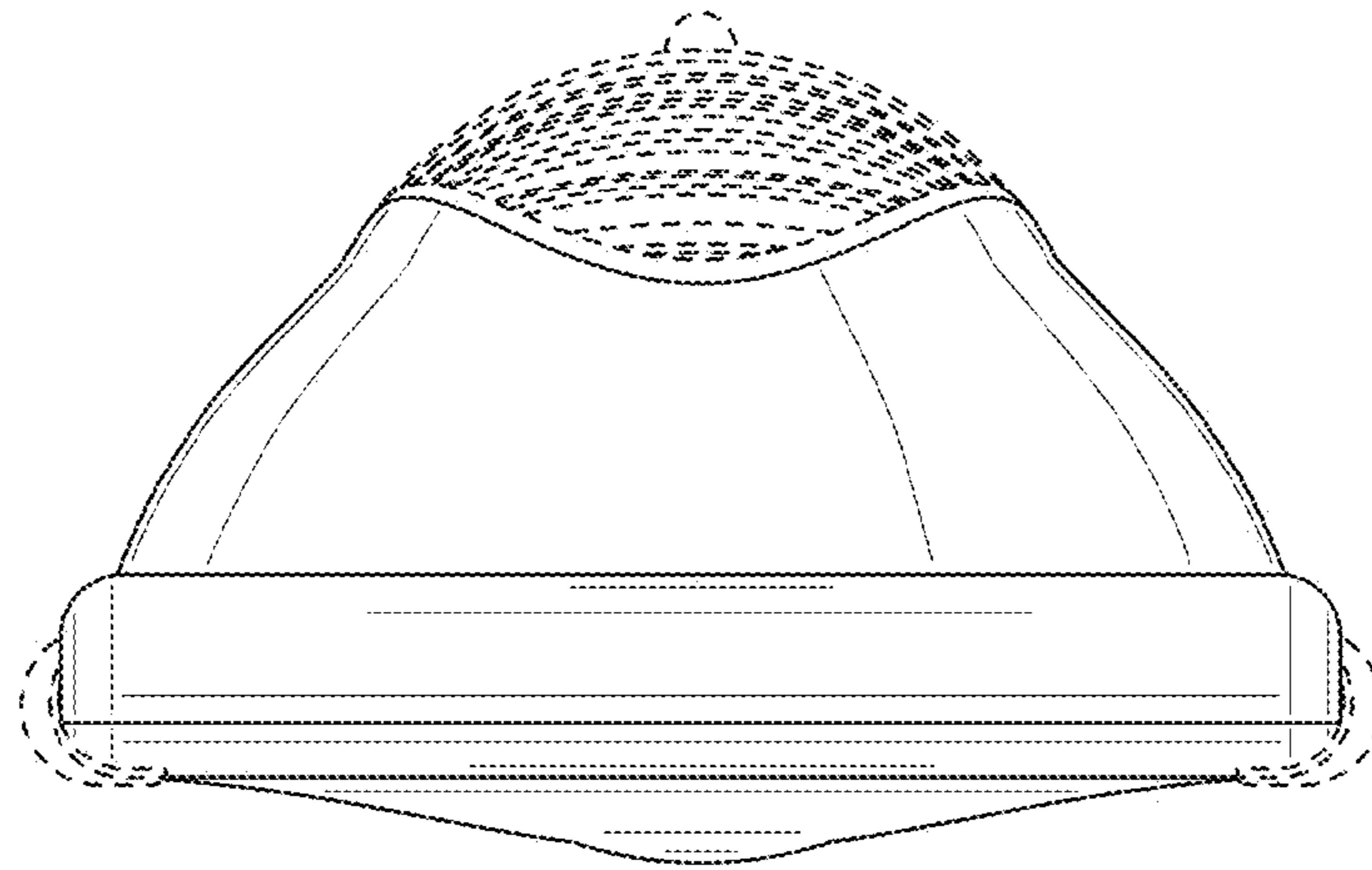


FIG. 6

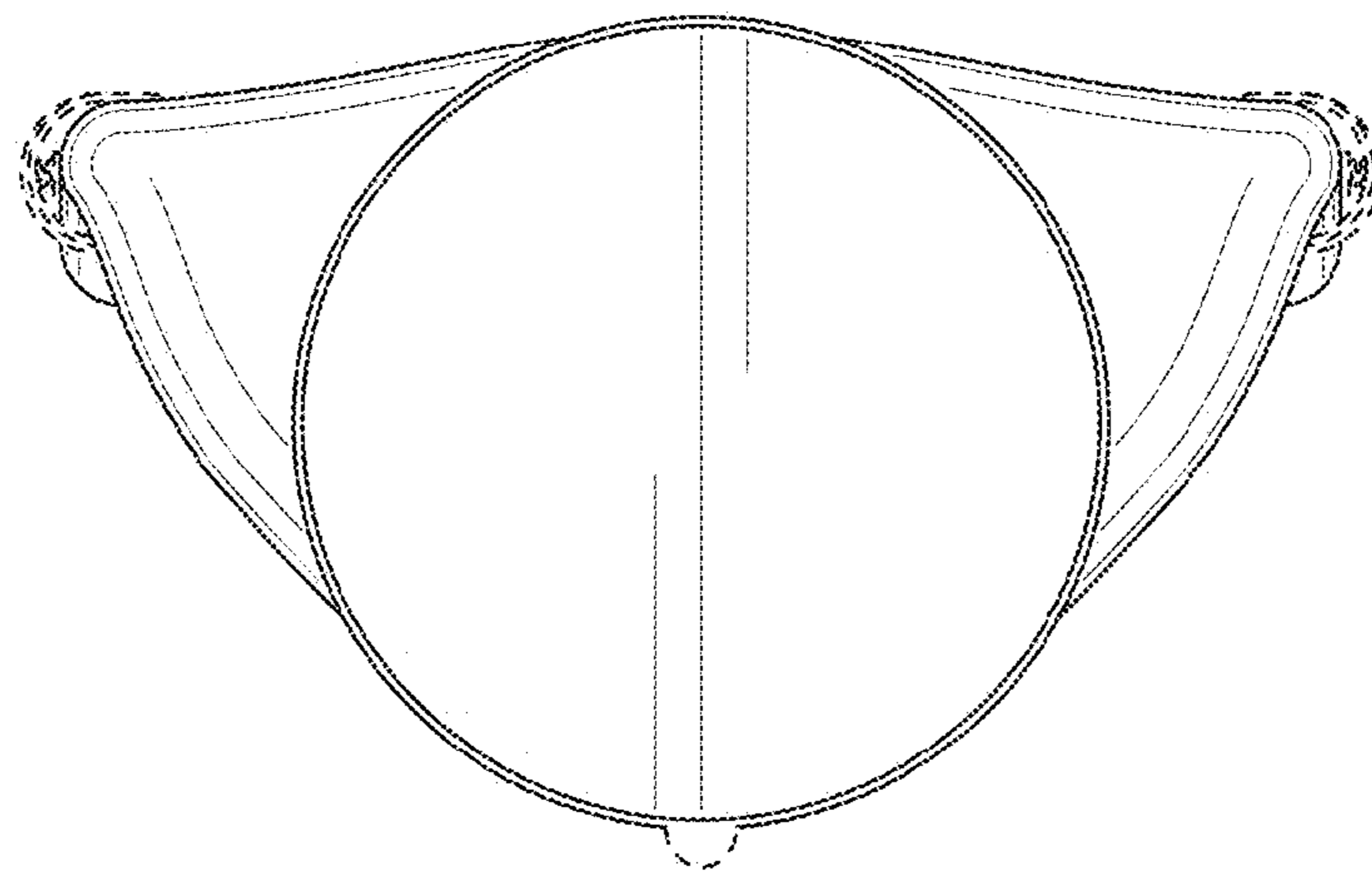


FIG. 7

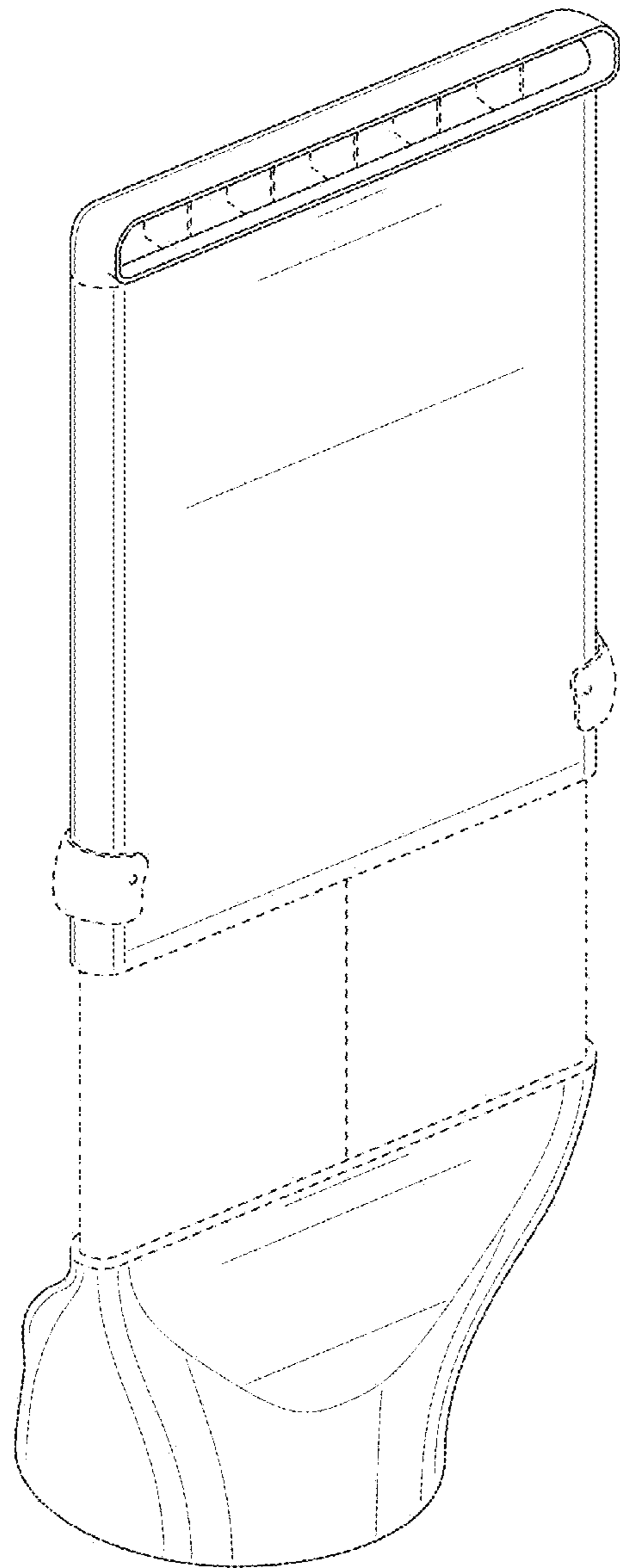


FIG. 8

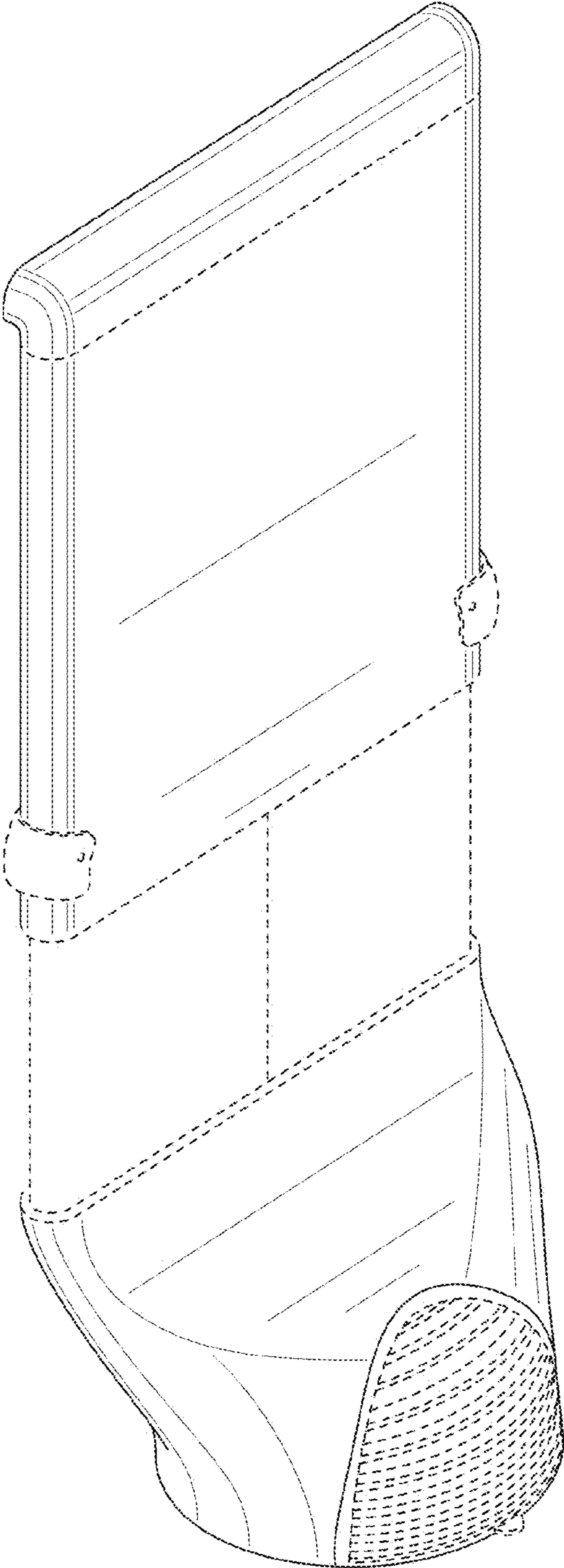


FIG. 9

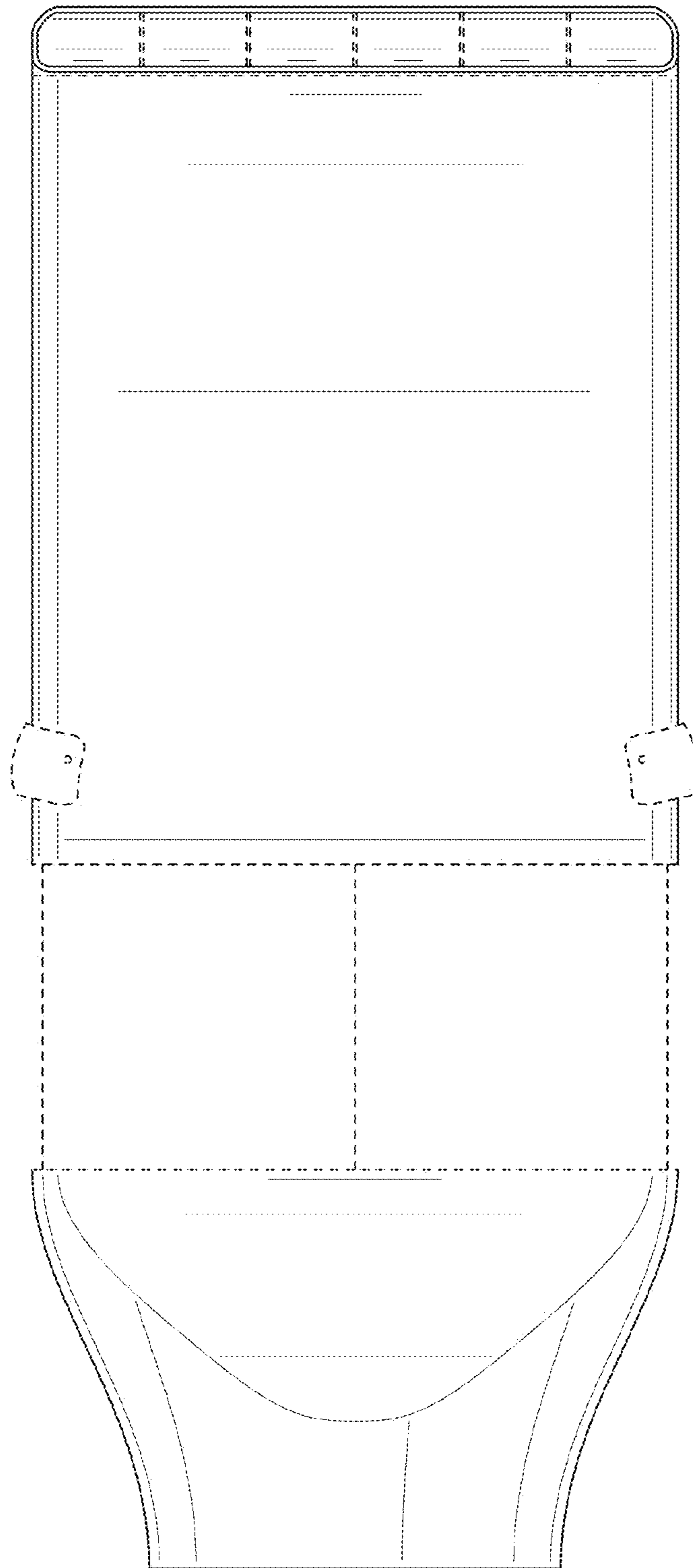


FIG. 10

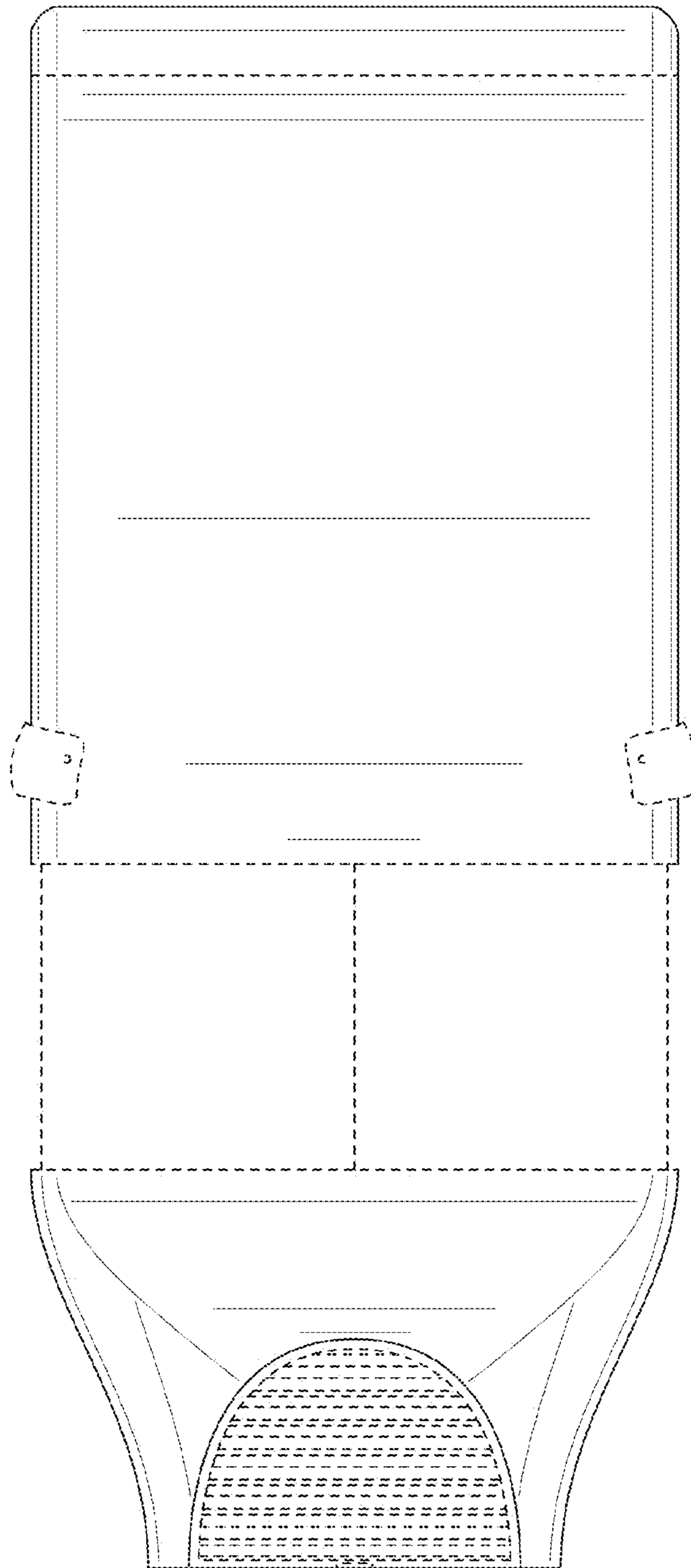


FIG. 11

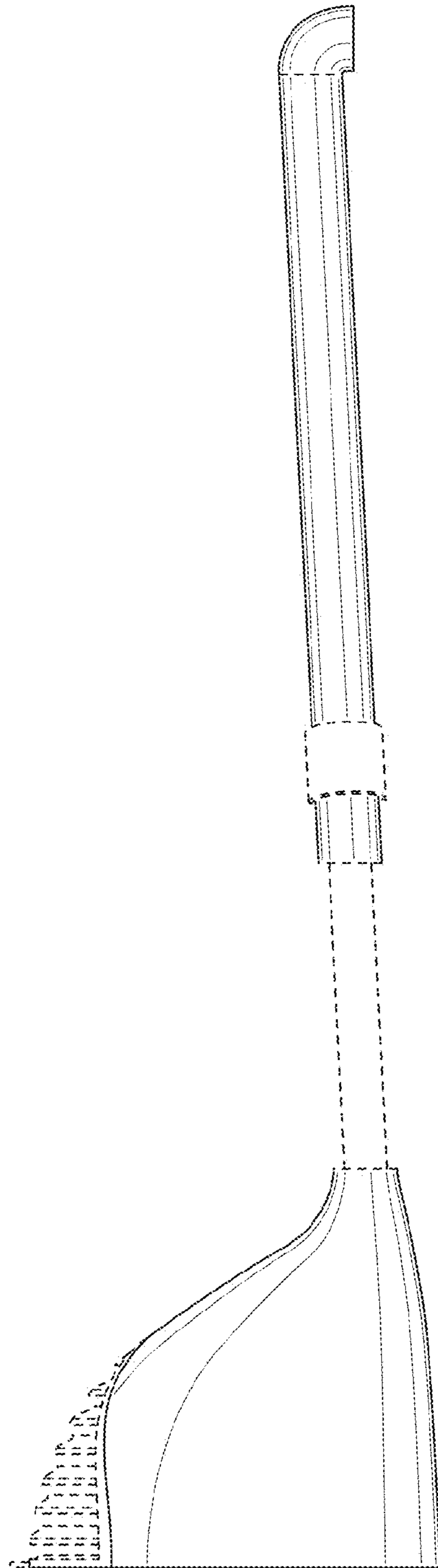


FIG. 12

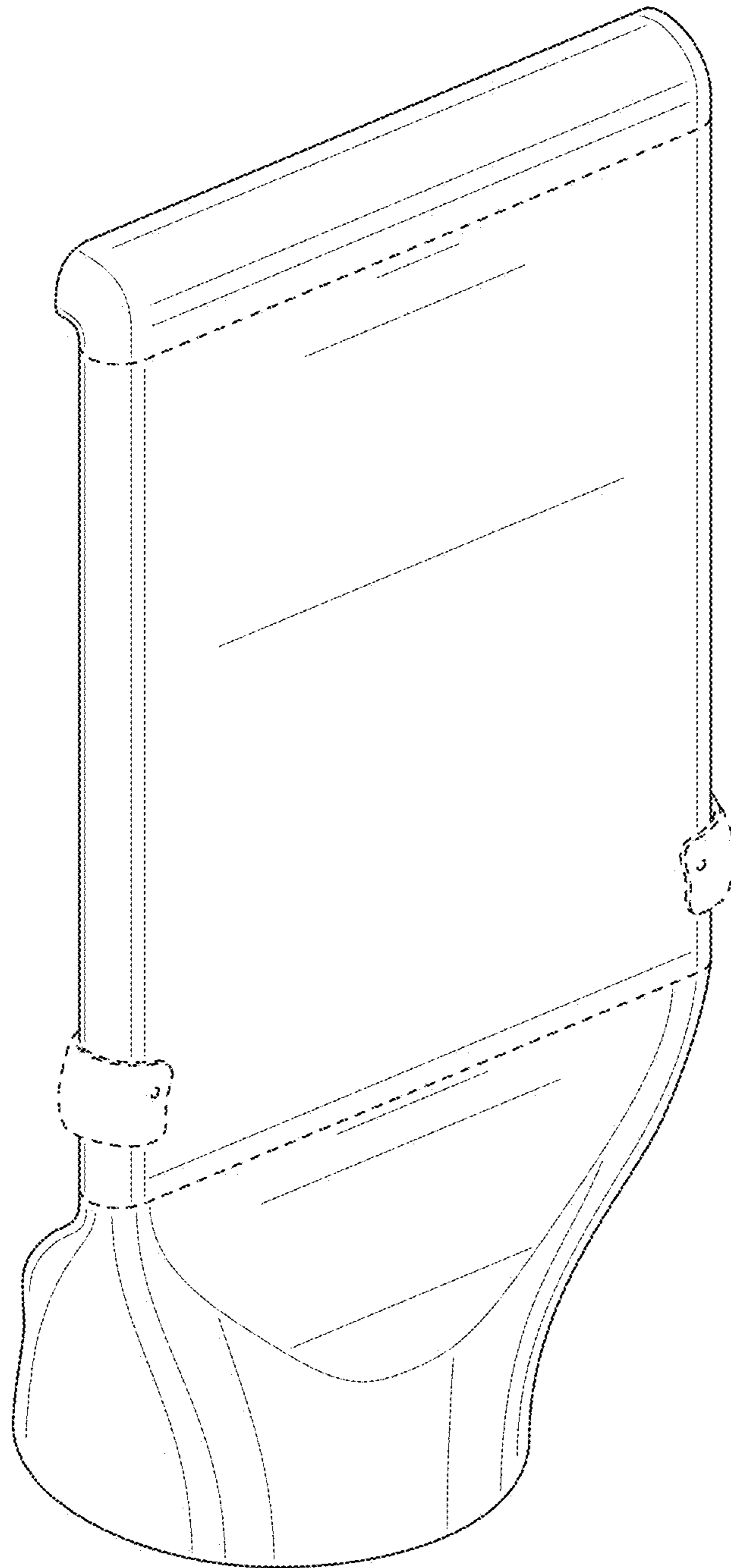


FIG. 13

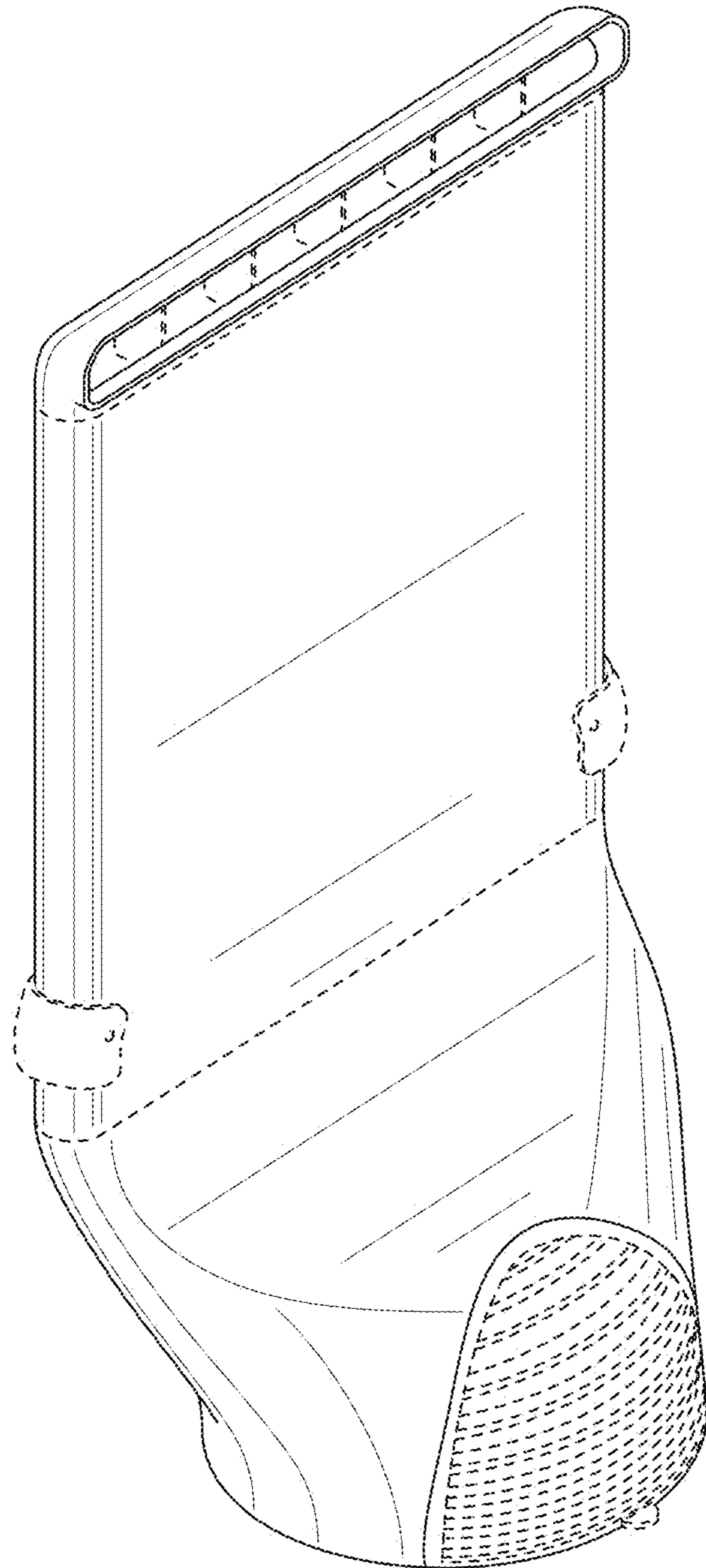


FIG. 14

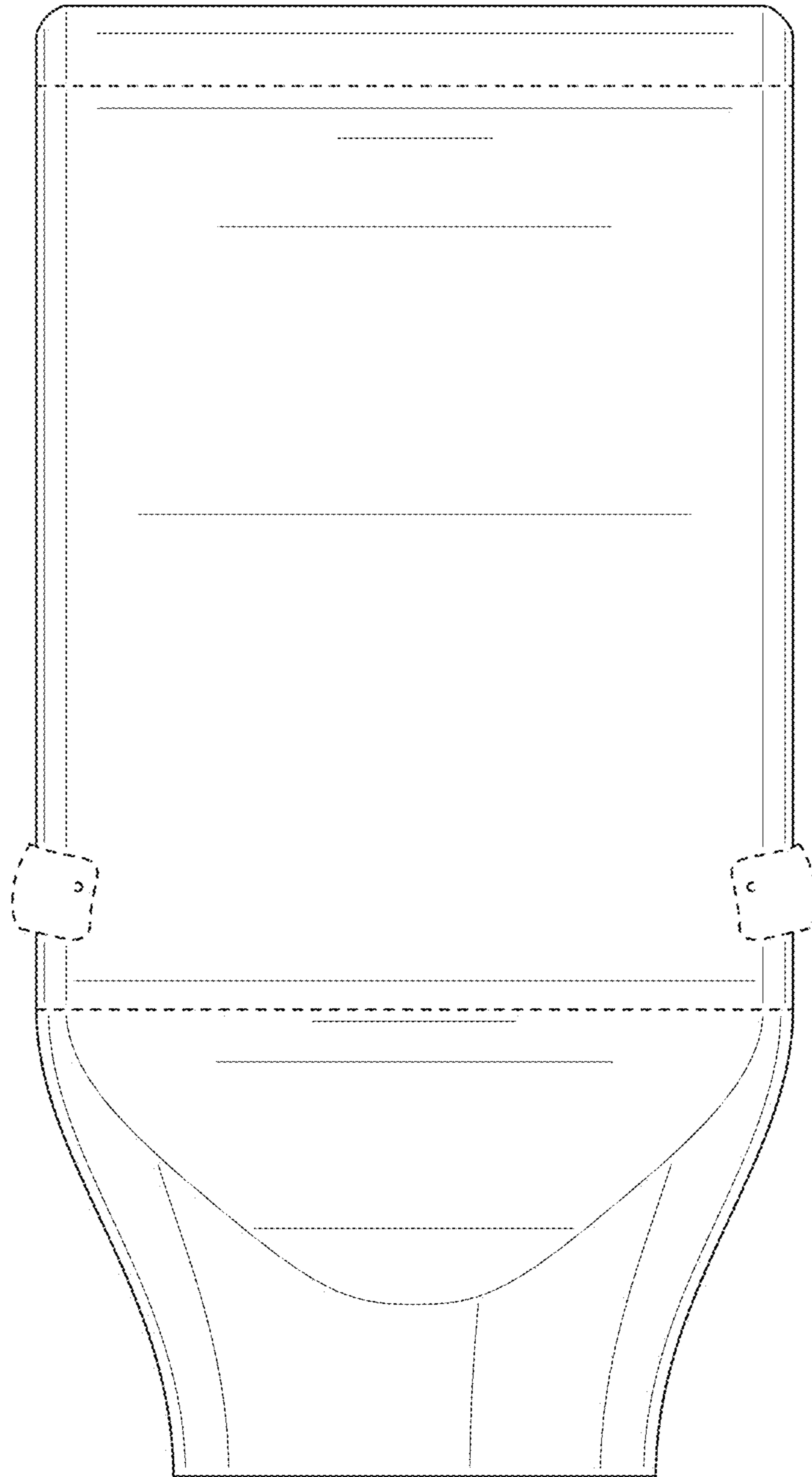


FIG. 15

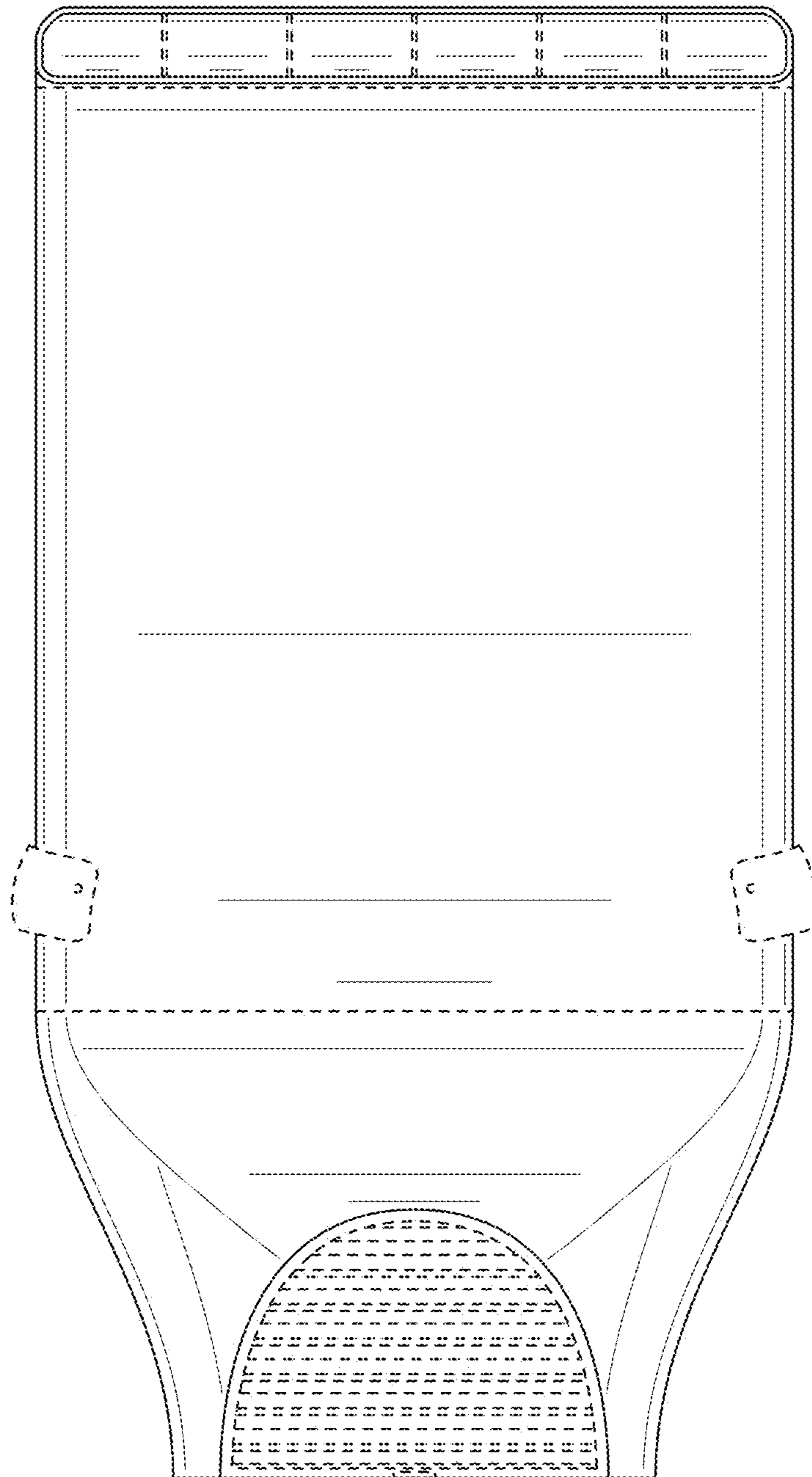


FIG. 16

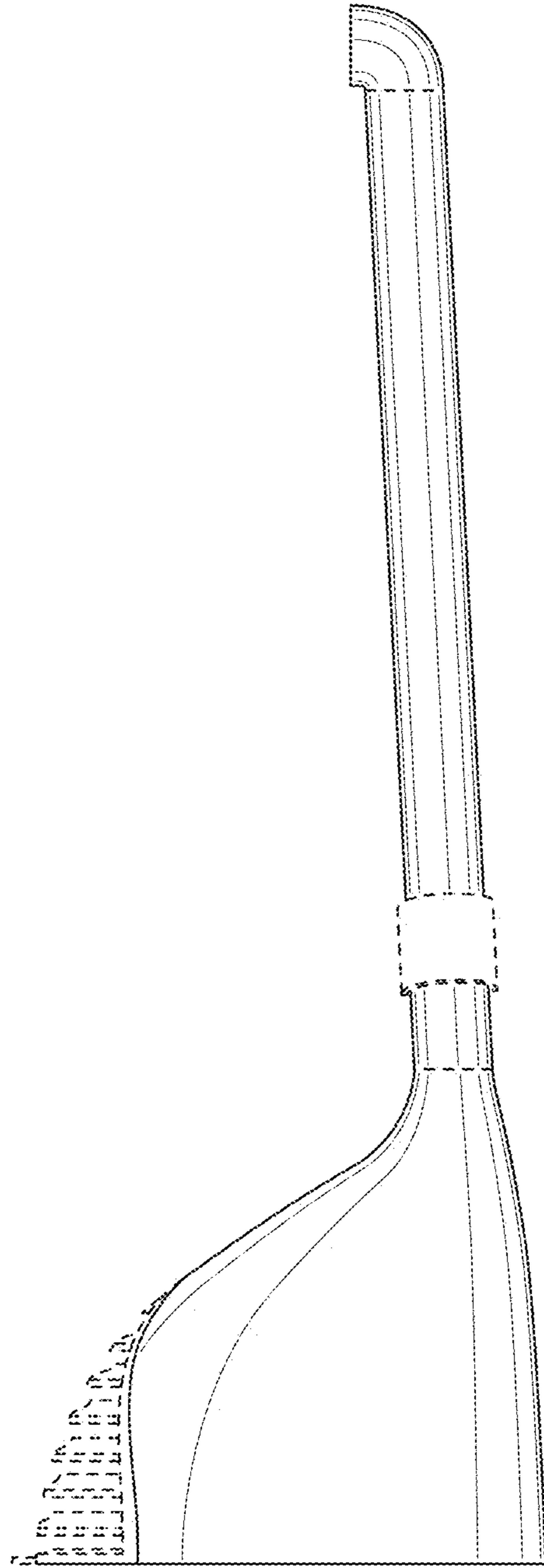


FIG. 17

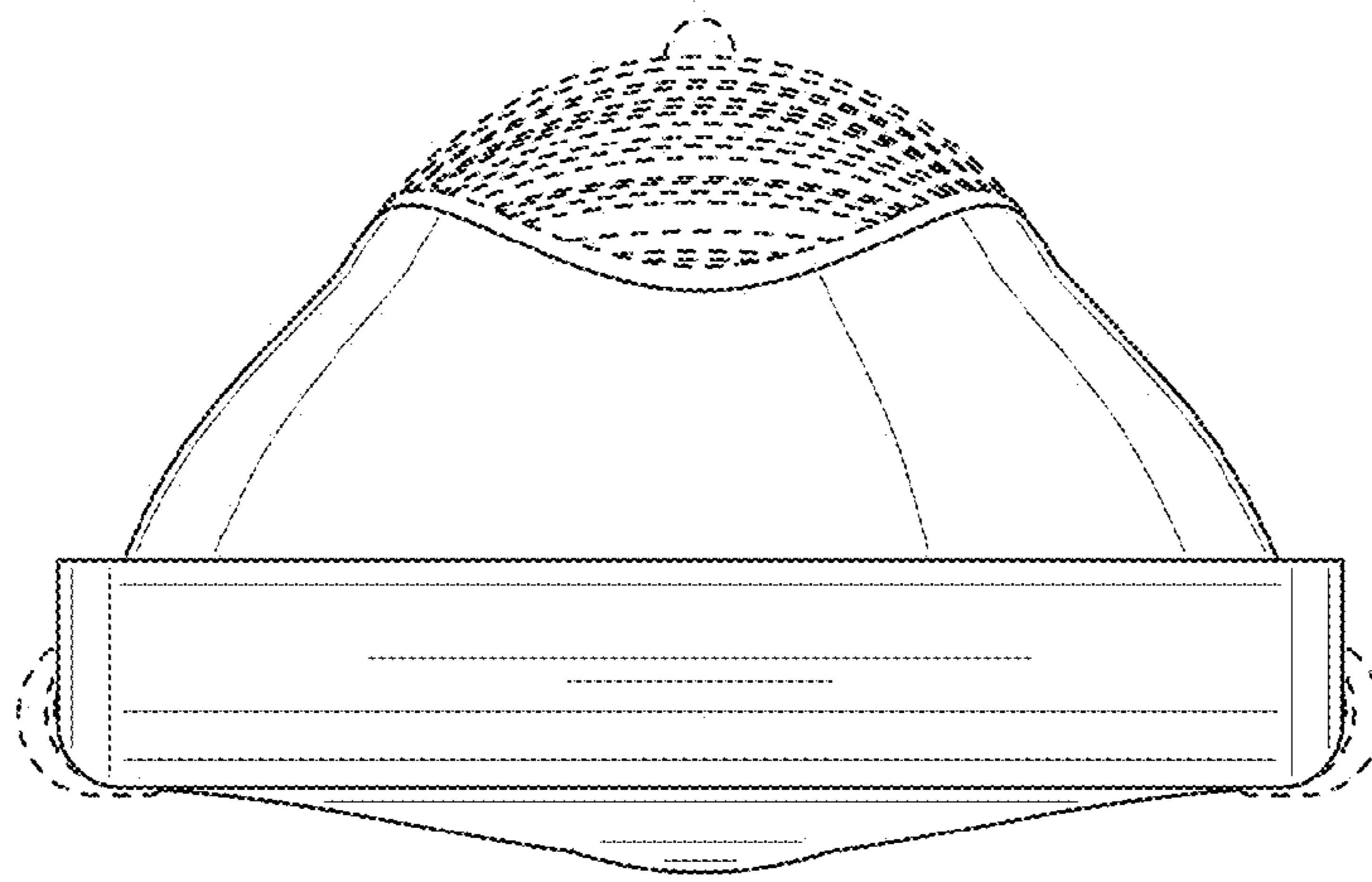


FIG. 18

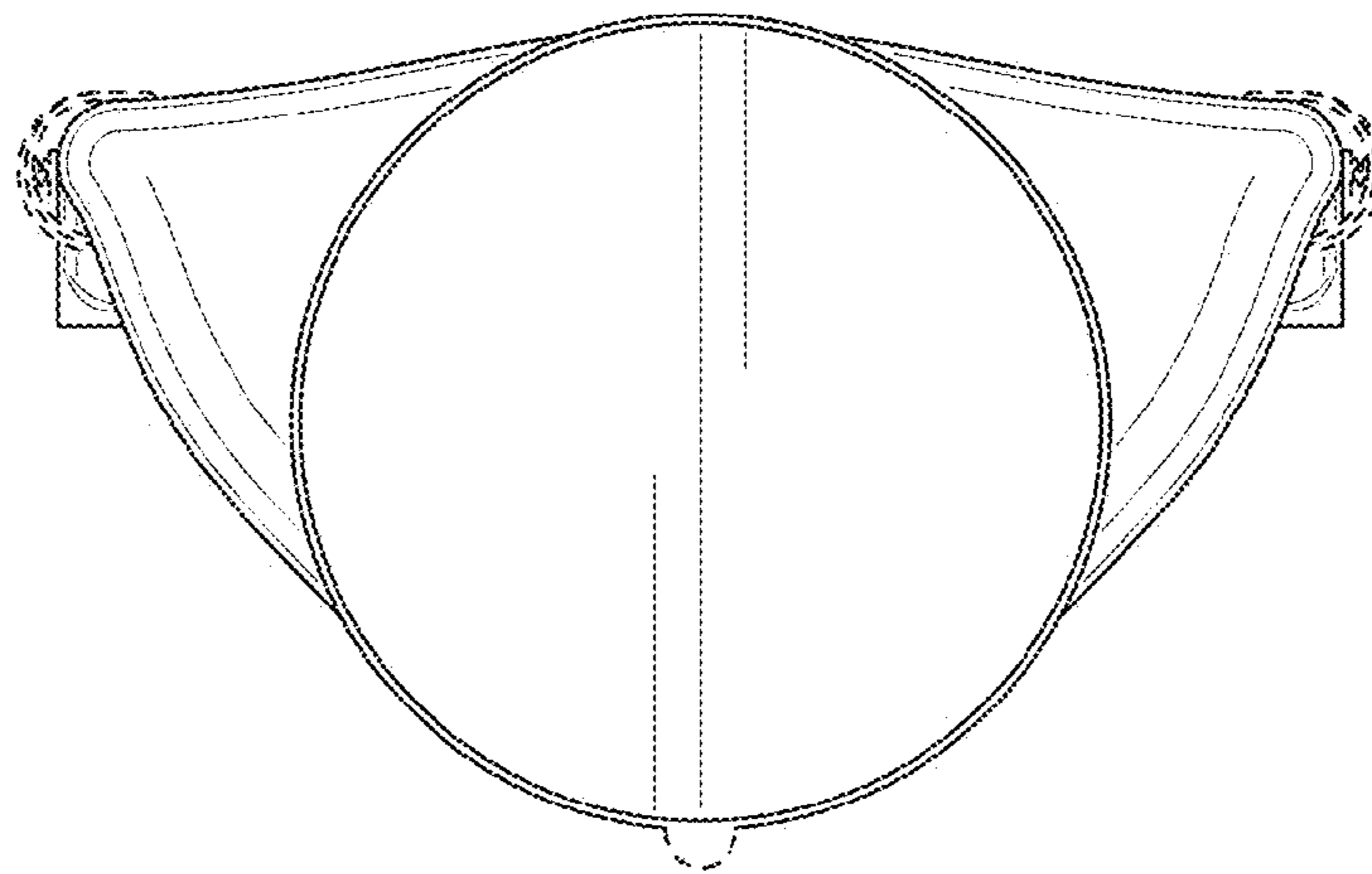


FIG. 19

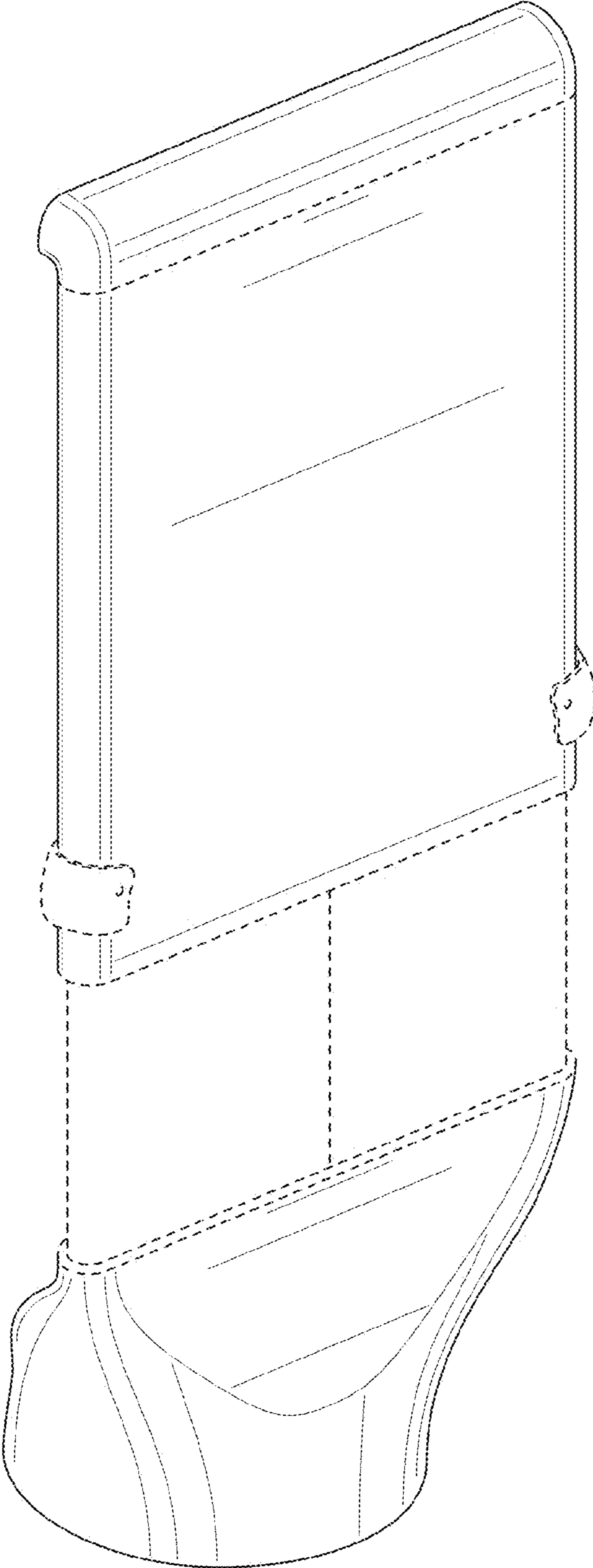


FIG. 20

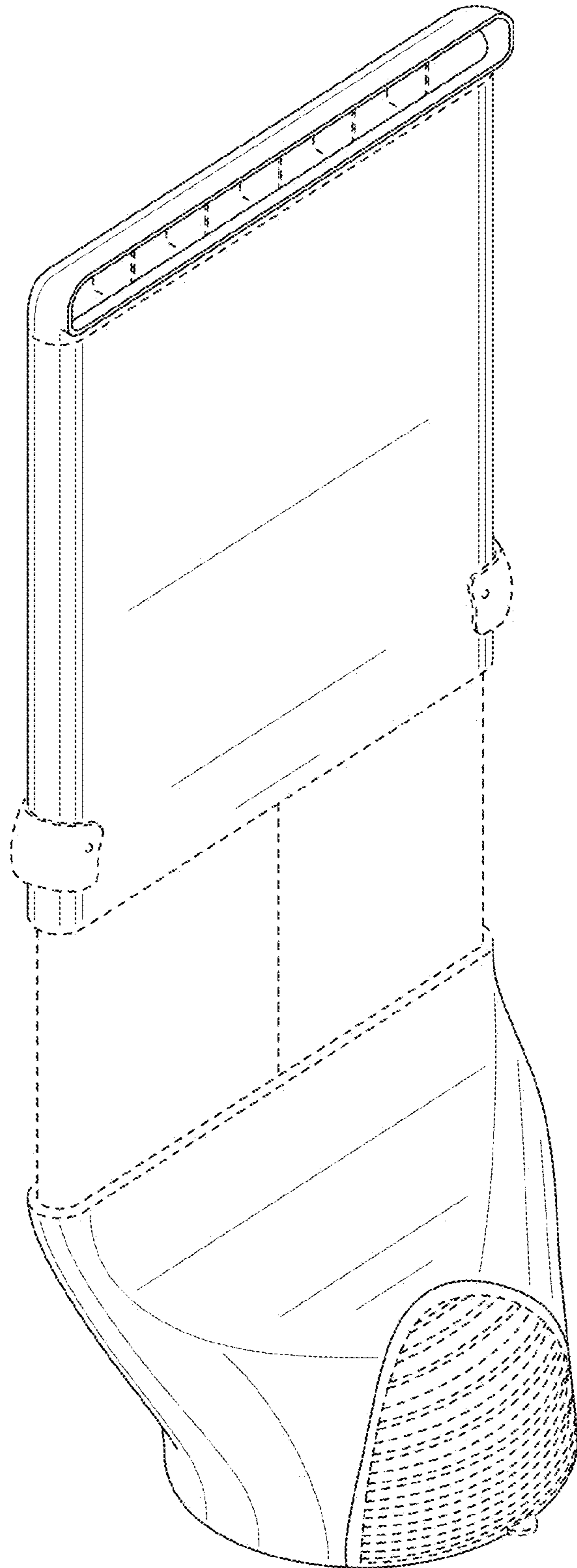


FIG. 21

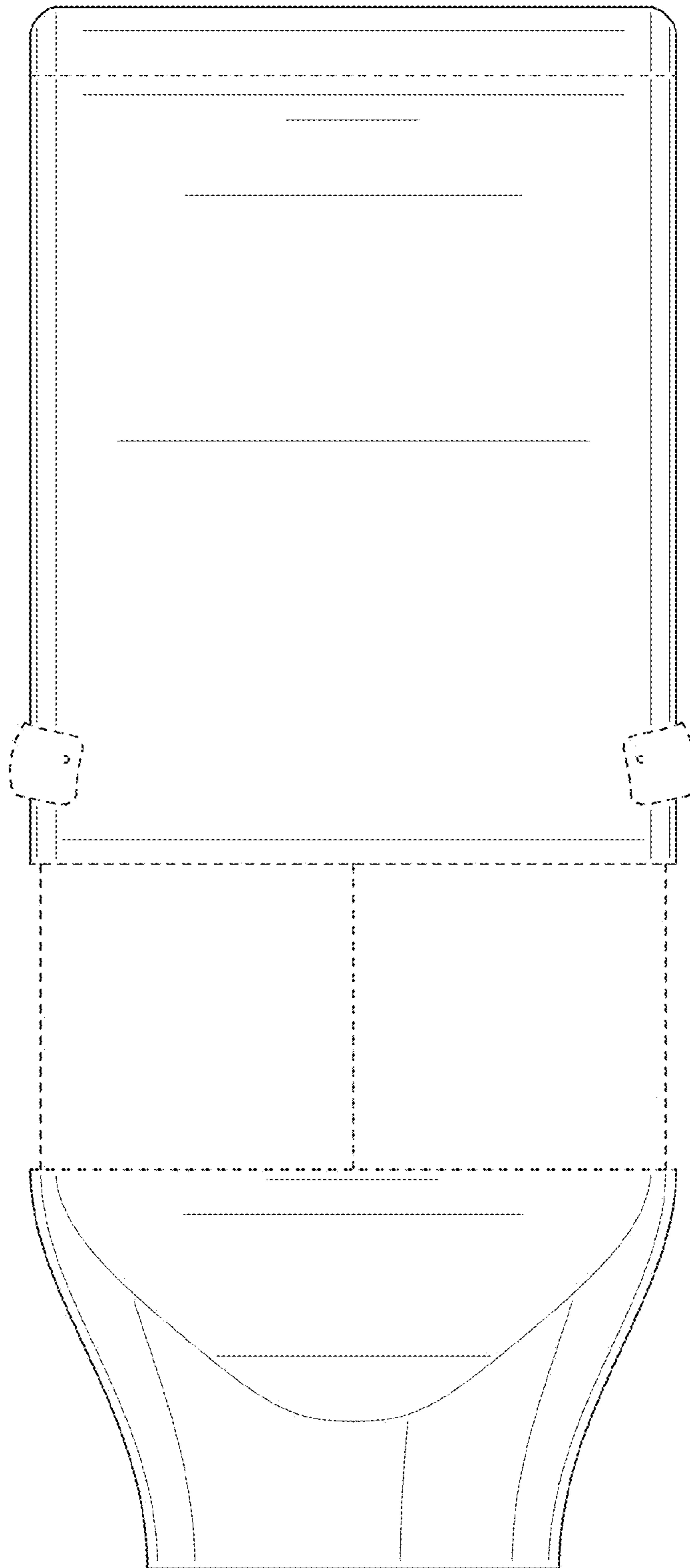


FIG. 22

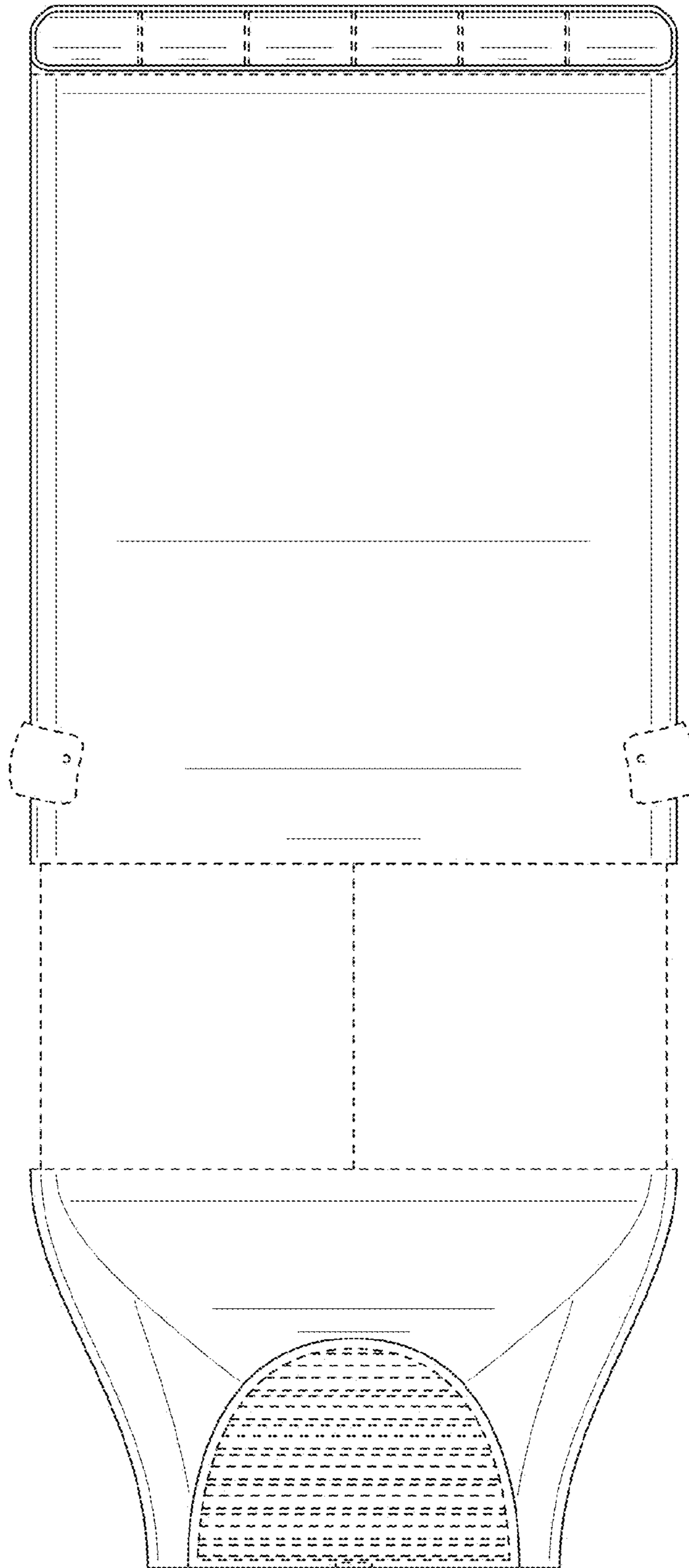


FIG. 23

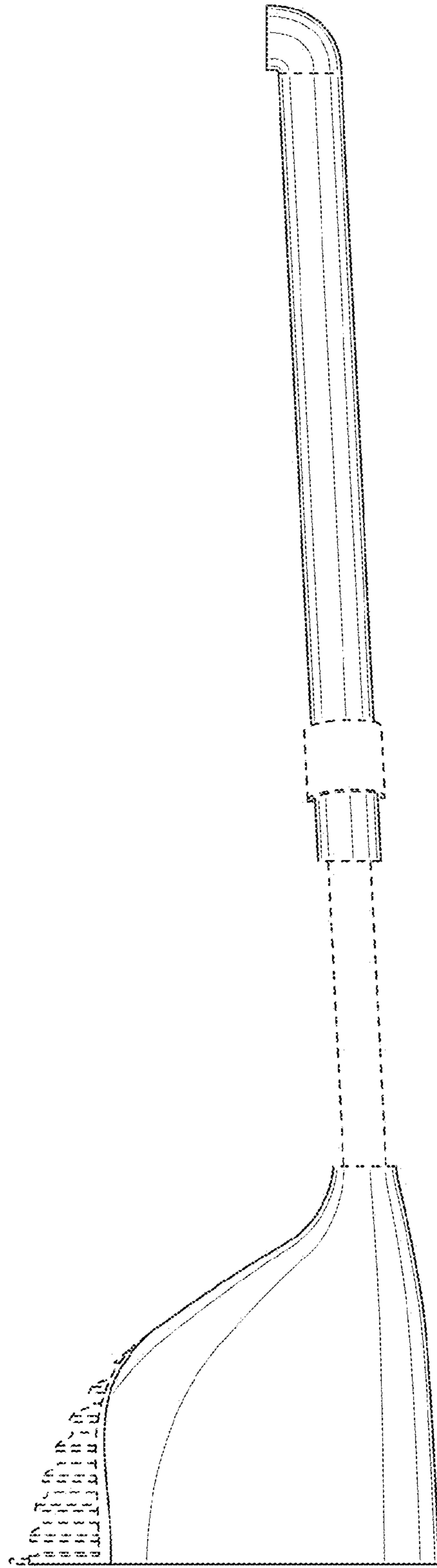


FIG. 24