



US00D686722S

(12) **United States Design Patent**
Wirz

(10) **Patent No.:** **US D686,722 S**
(45) **Date of Patent:** **** Jul. 23, 2013**

(54) **WALL SOCKET AROMA DIFFUSER**

(56) **References Cited**

(71) Applicant: **Serene House International Enterprise Ltd.**, Road Town (VG)

(72) Inventor: **Peter Wirz**, Lucerne (CH)

(73) Assignee: **Serene House International Enterprise Ltd.**, Road Town (VG)

(**) Term: **14 Years**

(21) Appl. No.: **29/441,522**

(22) Filed: **Jan. 7, 2013**

(51) **LOC (9) Cl.** **28-99**

(52) **U.S. Cl.**
USPC **D23/366**

(58) **Field of Classification Search**
USPC D23/355-369; D28/5, 6; 261/DIG. 17, 261/DIG. 42, DIG. 65, DIG. 88, DIG. 89, 261/DIG. 47, DIG. 55, DIG. 70; 392/356, 392/390, 392, 394, 395; 239/34, 44, 53, 55, 239/56, 326, 60, 308; D9/687; D7/591

See application file for complete search history.

U.S. PATENT DOCUMENTS

D335,530	S	*	5/1993	Schimanski	D23/366
D461,885	S	*	8/2002	Jordi	D23/366
D462,755	S	*	9/2002	Basaganas Millan	D23/366
D516,691	S	*	3/2006	Caserta et al.	D23/366
D517,186	S	*	3/2006	Grodsky et al.	D23/366
D532,092	S	*	11/2006	Davis et al.	D23/366
D605,277	S	*	12/2009	Rossi	D23/366
D672,862	S	*	12/2012	Adair et al.	D23/366

* cited by examiner

Primary Examiner — Sandra Snapp

(74) *Attorney, Agent, or Firm* — Ming Chow; Sinorica, LLC

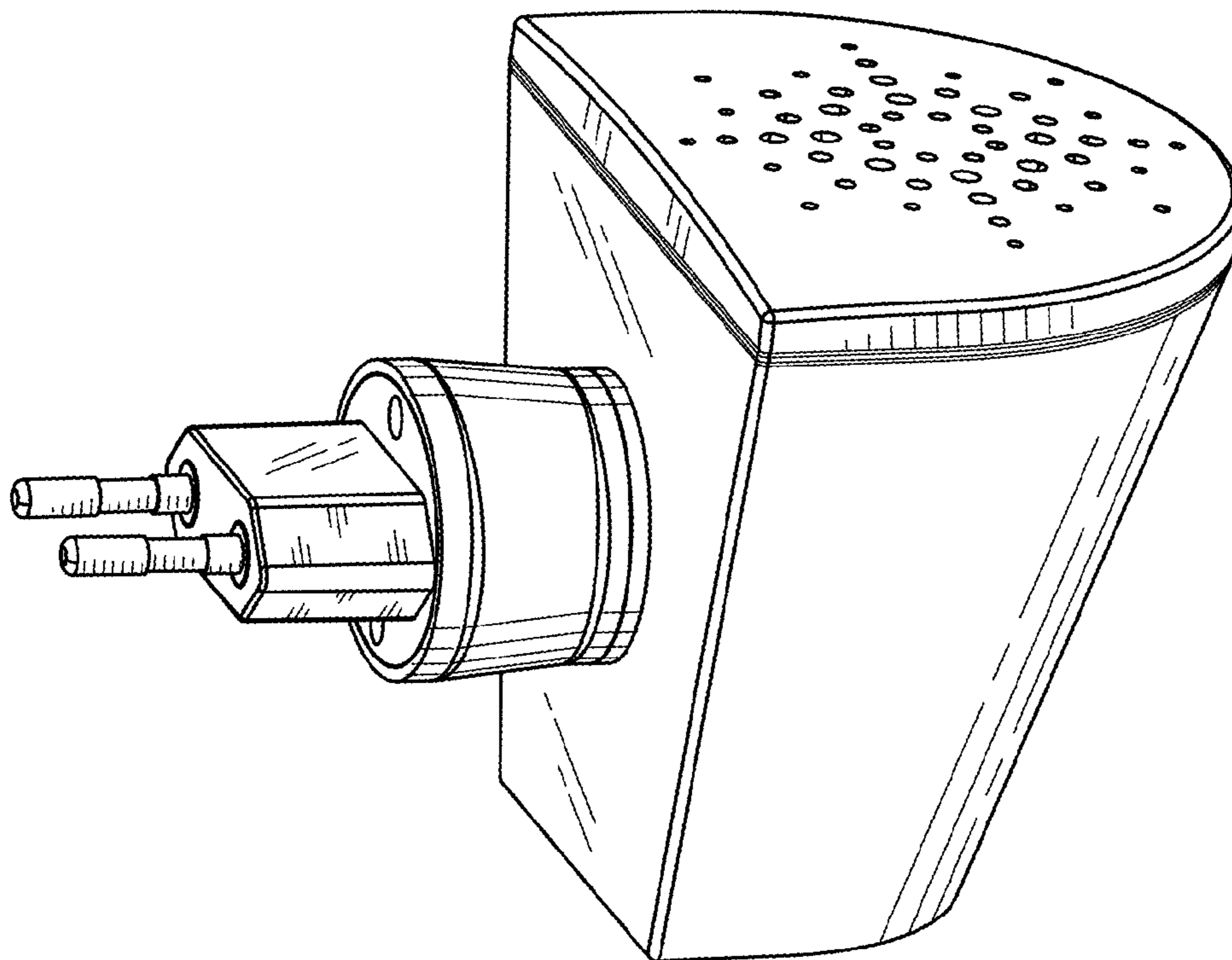
(57) **CLAIM**

The ornamental design for a wall socket aroma diffuser, as shown.

DESCRIPTION

FIG. 1 is a perspective view of a wall socket aroma diffuser showing my new design;
FIG. 2 is a front view thereof;
FIG. 3 is a rear view thereof;
FIG. 4 is a left side view thereof;
FIG. 5 is a right side view thereof;
FIG. 6 is a top view thereof; and,
FIG. 7 is a bottom view thereof.

1 Claim, 7 Drawing Sheets



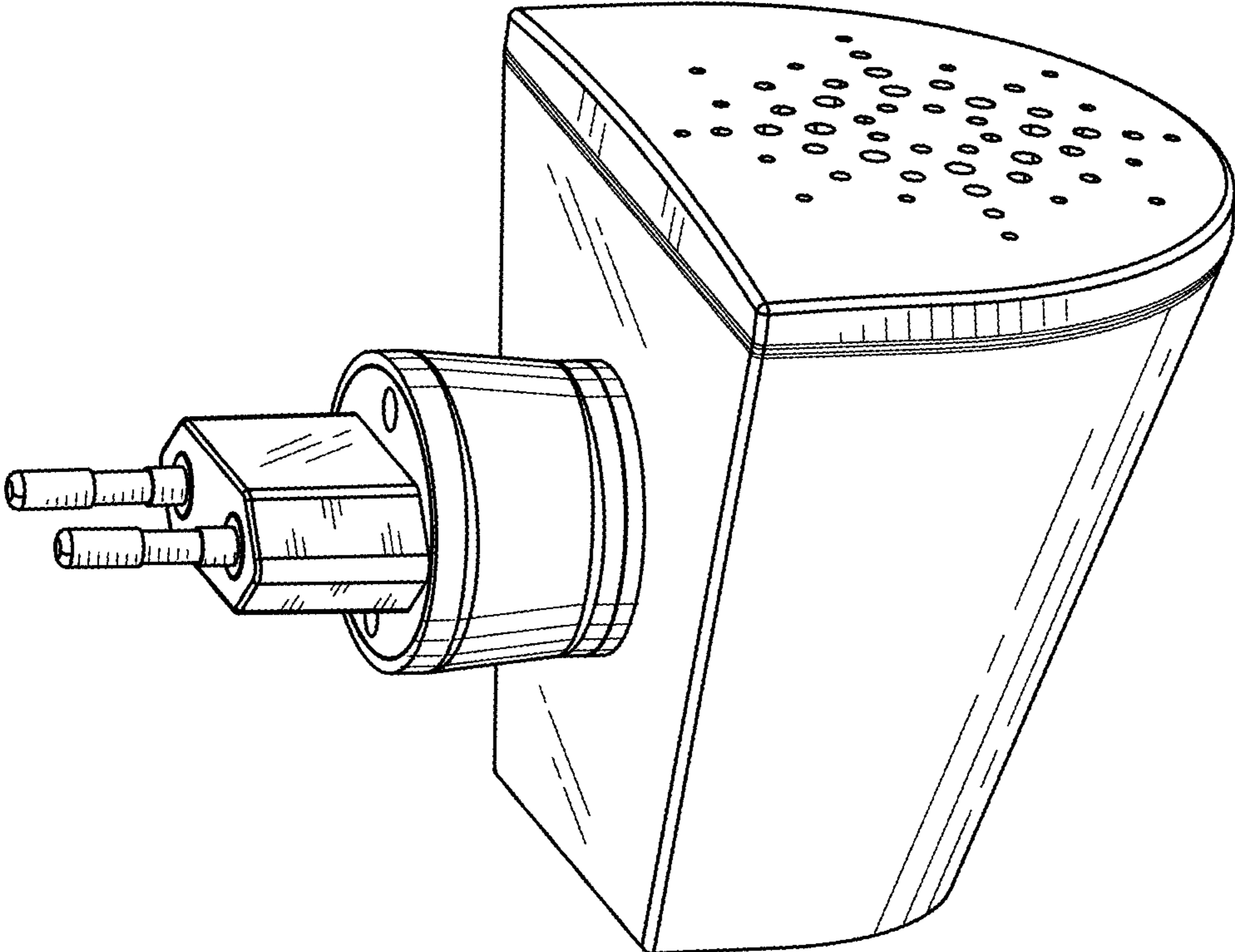


Fig. 1

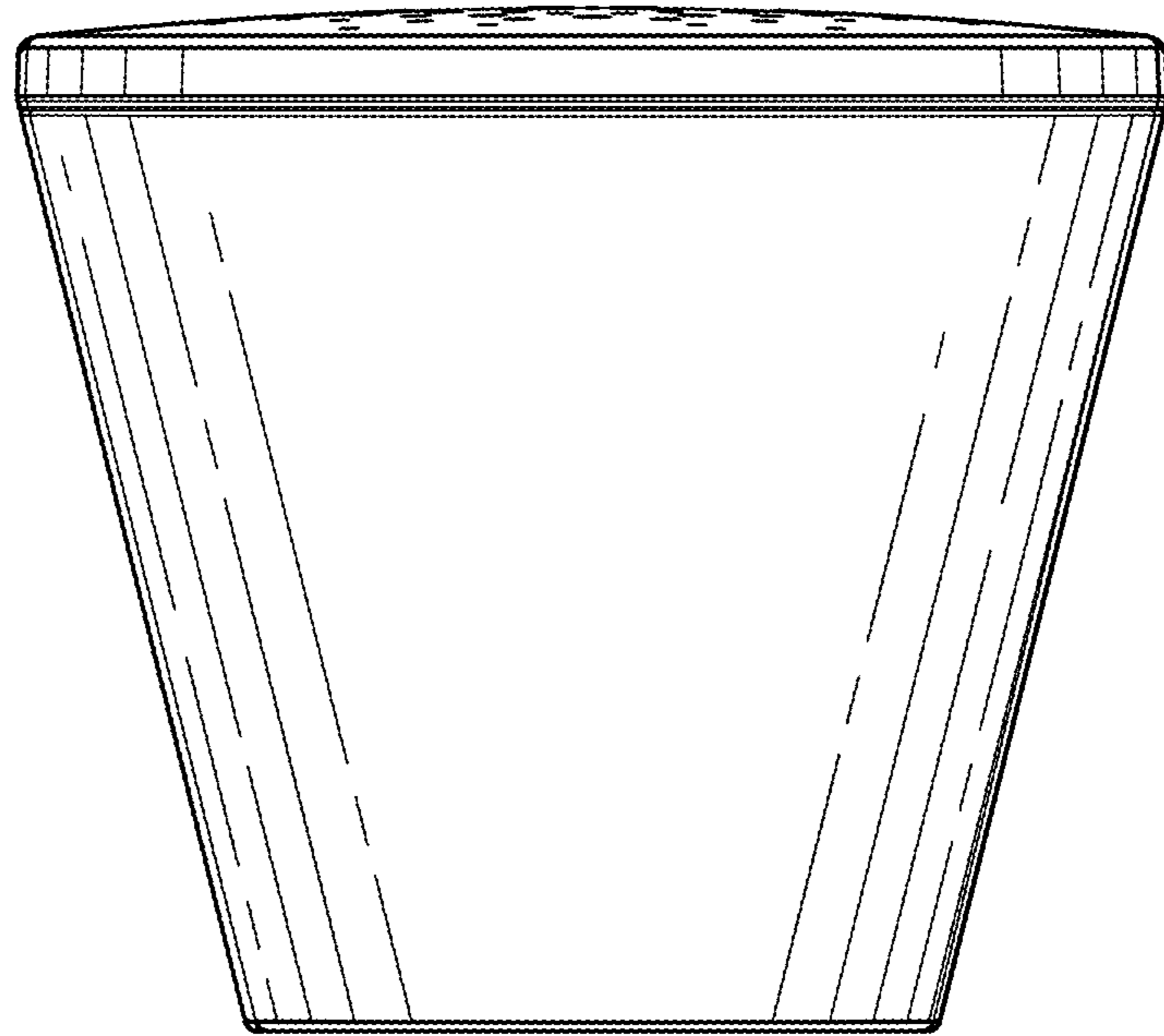


Fig. 2

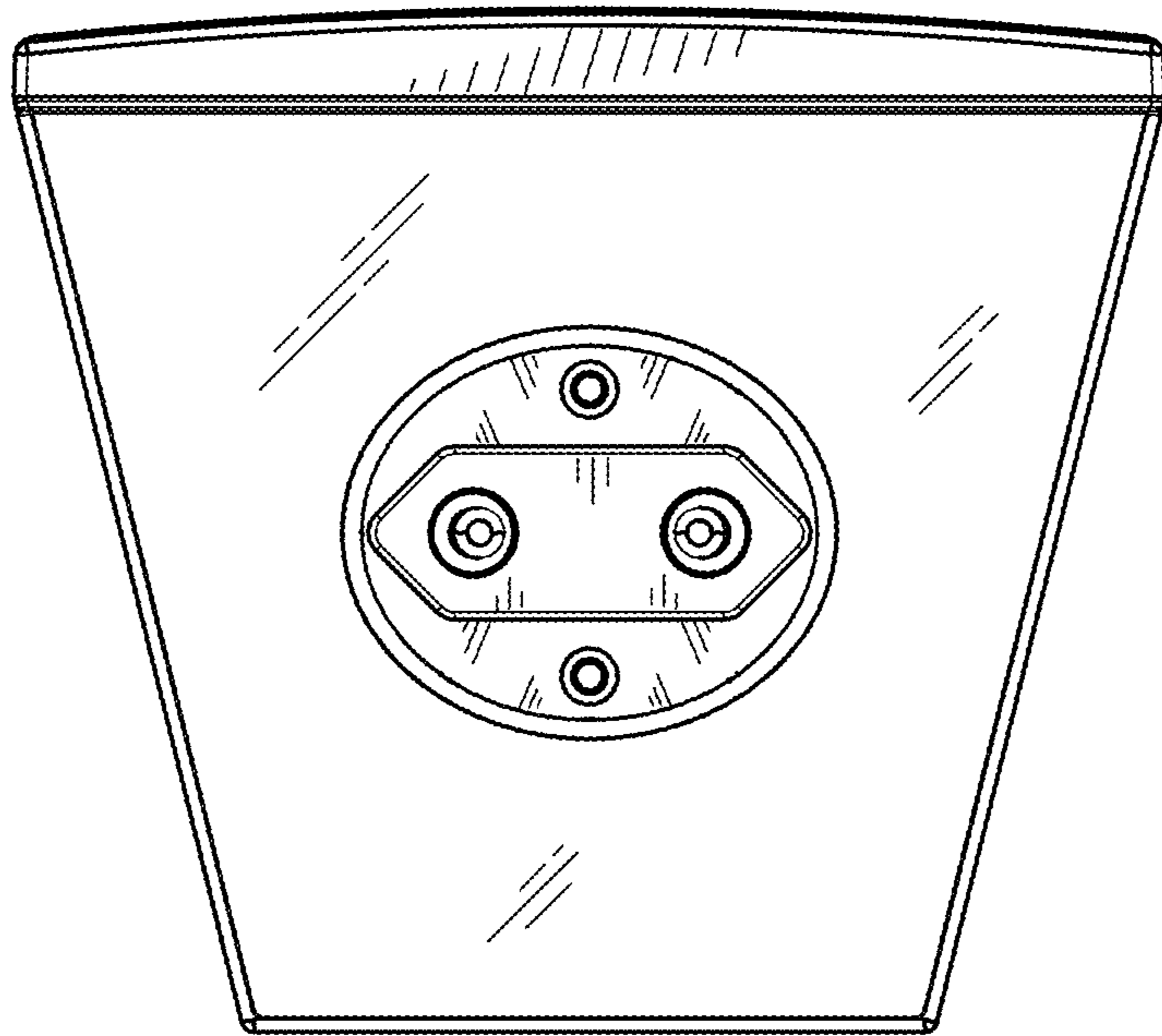


Fig. 3

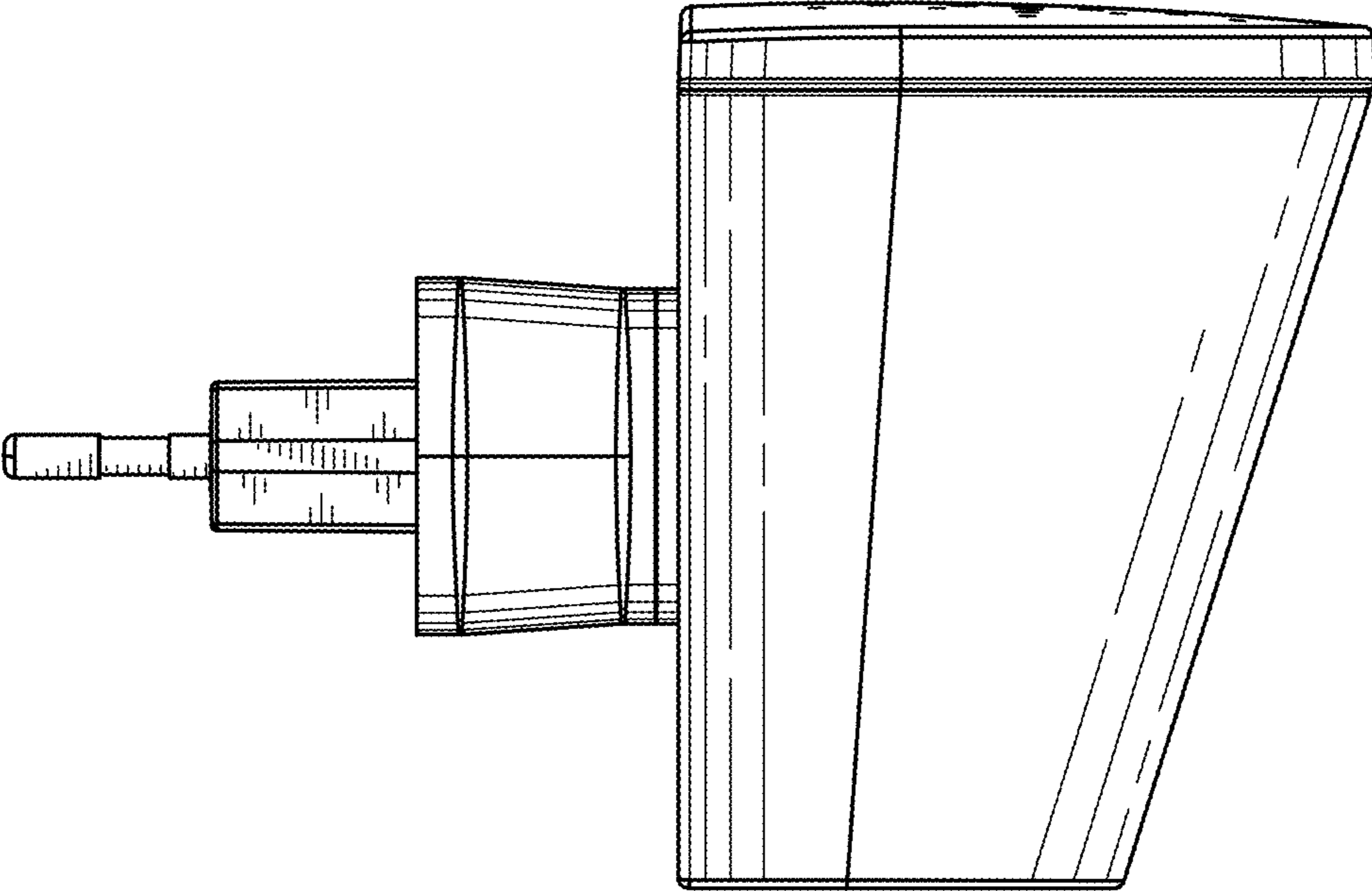


Fig. 4

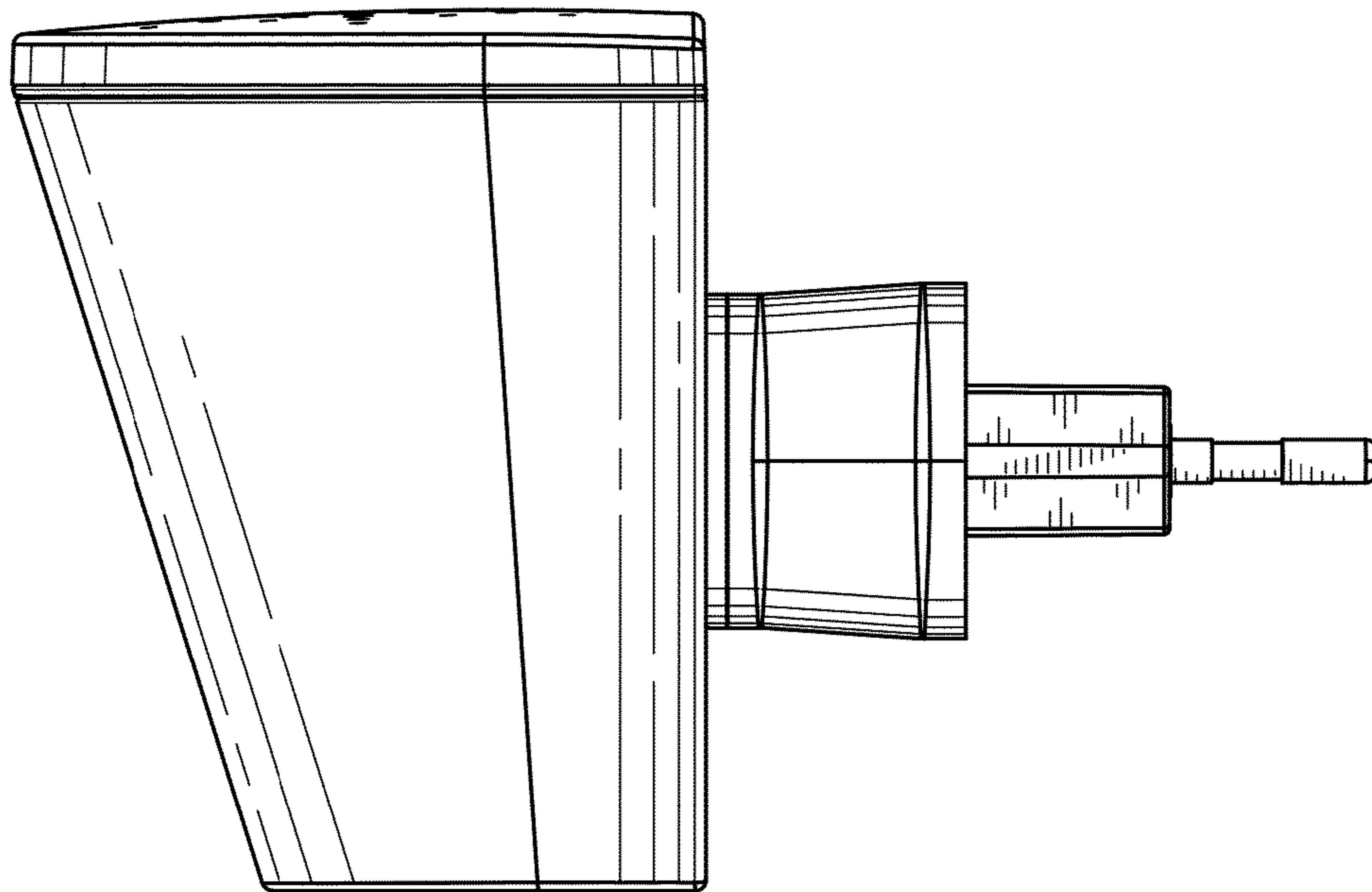


Fig. 5

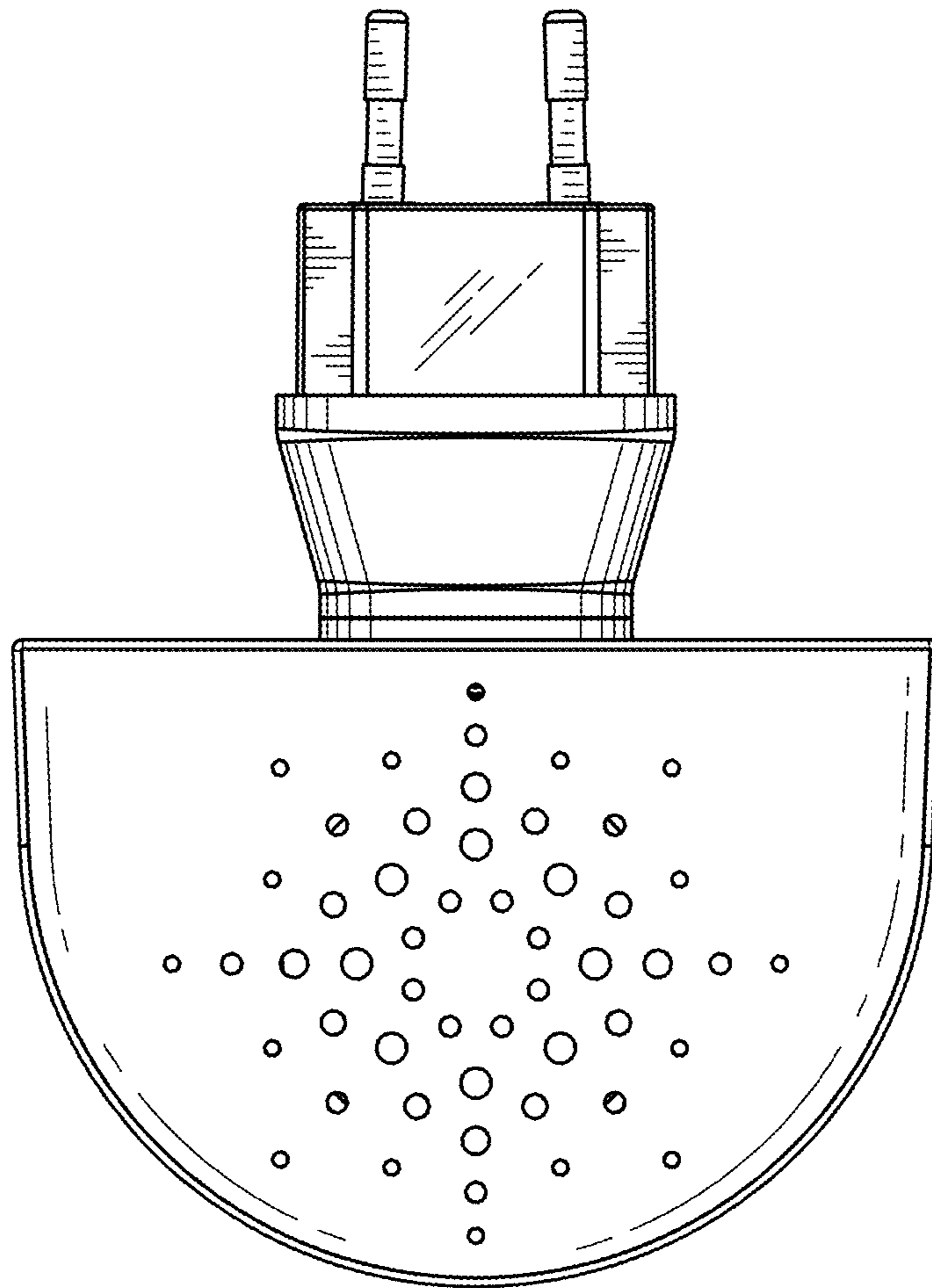


Fig. 6

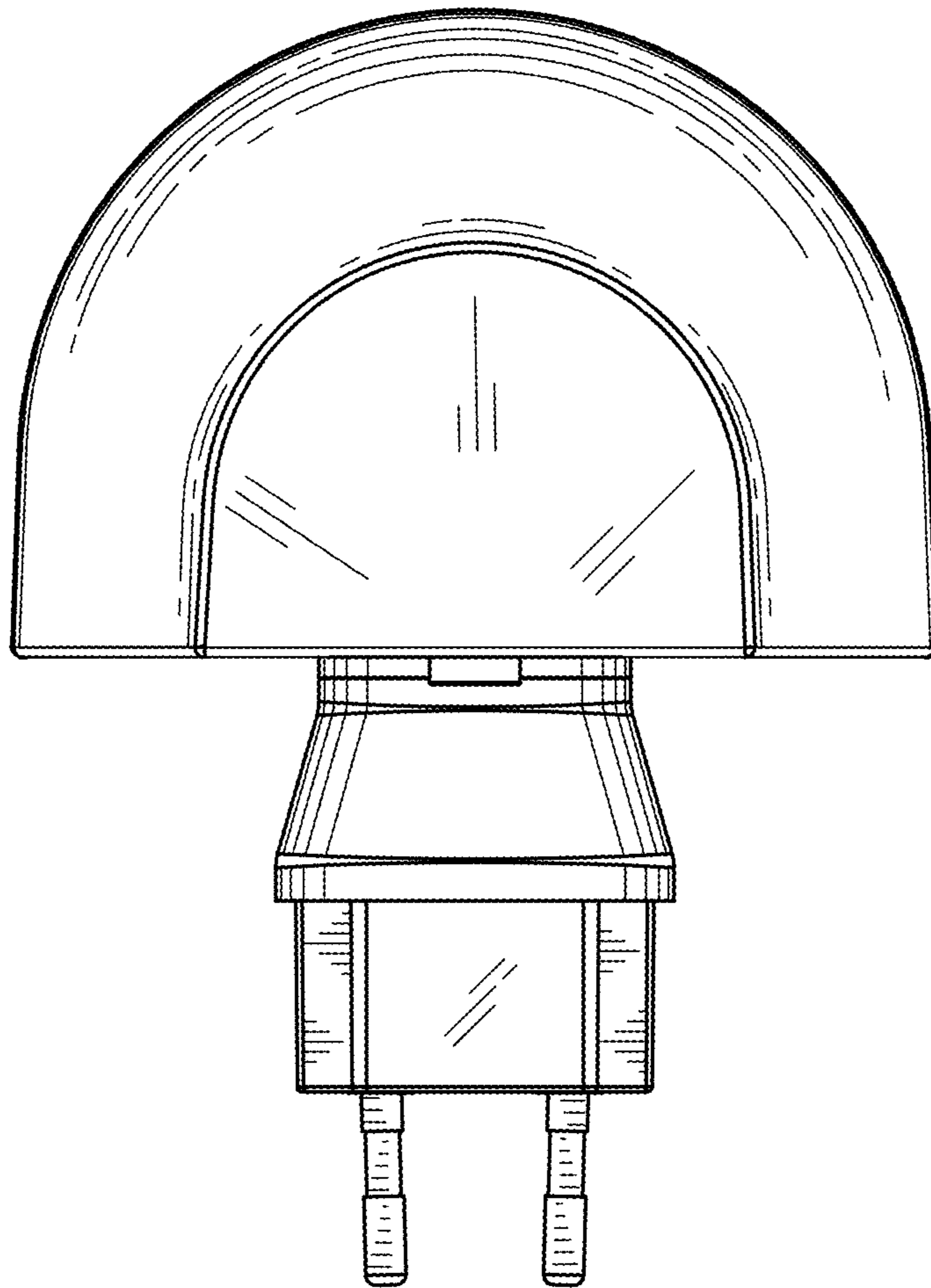


Fig. 7