



US00D686721S

(12) **United States Design Patent**
Wirz

(10) **Patent No.:** **US D686,721 S**
(45) **Date of Patent:** **** Jul. 23, 2013**

(54) **WALL SOCKET AROMA DIFFUSER**

(71) Applicant: **Serene House International Enterprise Ltd.**, Road Town (VG)

(72) Inventor: **Peter Wirz**, Lucerne (CH)

(73) Assignee: **Serene House International Enterprise Ltd.**, Road Town (VG)

(**) Term: **14 Years**

(21) Appl. No.: **29/441,520**

(22) Filed: **Jan. 7, 2013**

(51) **LOC (9) Cl.** **28-99**

(52) **U.S. Cl.**
USPC **D23/366**

(58) **Field of Classification Search**
USPC D23/355-369; D28/5, 6; 261/DIG. 17, 261/DIG. 42, DIG. 65, DIG. 88, DIG. 89, 261/DIG. 47, DIG. 55, DIG. 70; 392/356, 392/390, 392, 394, 395; 239/34, 44, 53, 55, 239/56, 326, 60, 308; D9/687; D7/591
See application file for complete search history.

(56) **References Cited**

U.S. PATENT DOCUMENTS

5,940,577 A * 8/1999 Steinel 392/395
D461,885 S * 8/2002 Jordi D23/366

6,501,906 B2 * 12/2002 Vieira 392/395
D507,636 S * 7/2005 Baraky et al. D23/366
D532,094 S * 11/2006 Hundertmark D23/366
D544,592 S * 6/2007 Caserta et al. D23/366
D567,918 S * 4/2008 Hundertmark D23/366
D611,586 S * 3/2010 Ko et al. D23/366
D622,813 S * 8/2010 Sewzyk et al. D23/232
D647,608 S * 10/2011 Young et al. D23/366
D672,862 S * 12/2012 Adair et al. D23/366

* cited by examiner

Primary Examiner — Sandra Snapp

(74) *Attorney, Agent, or Firm* — Ming Chow; Sinorica, LLC

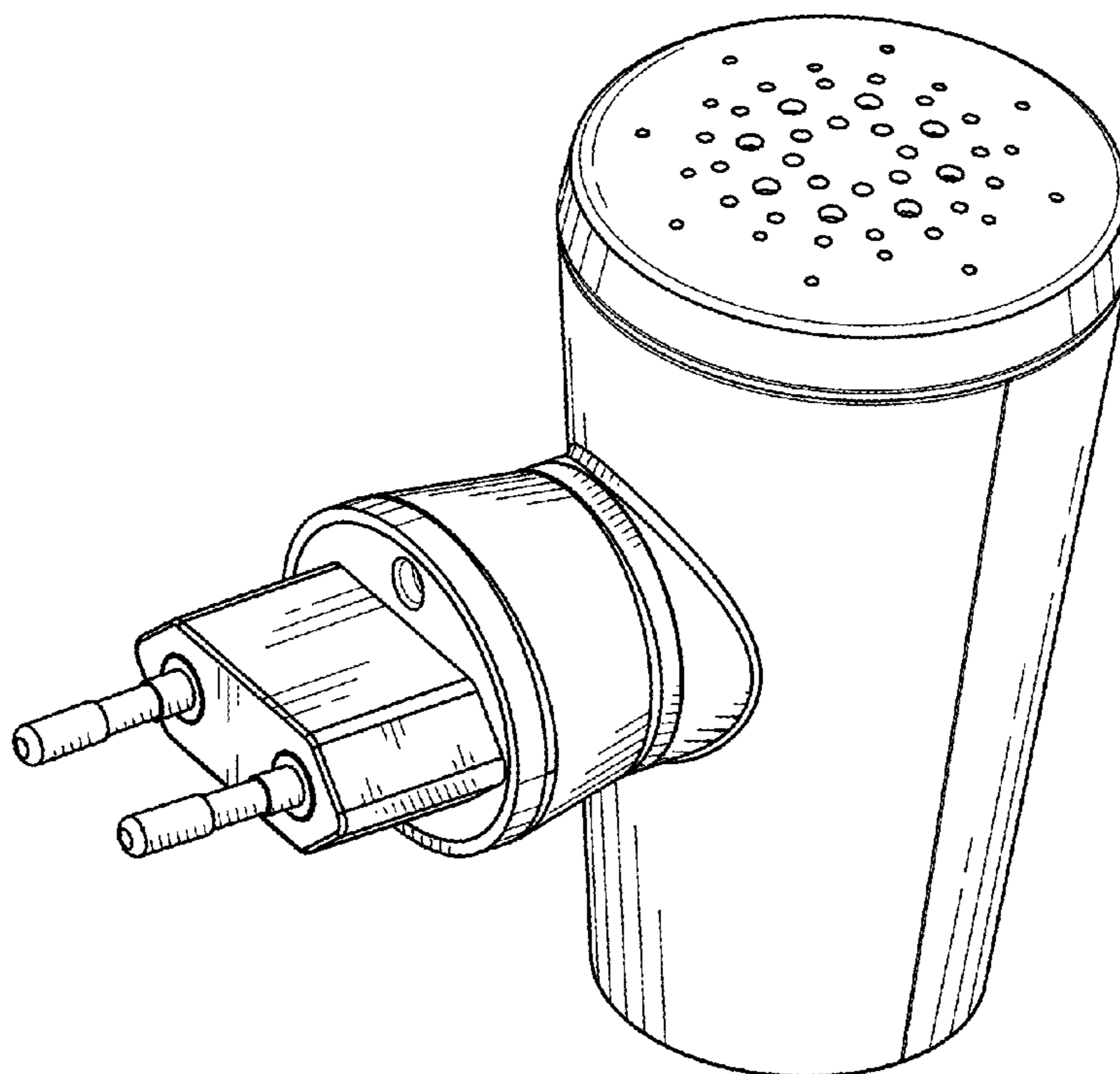
(57) **CLAIM**

The ornamental design for a wall socket aroma diffuser, as shown.

DESCRIPTION

FIG. 1 is a perspective view of a wall socket aroma diffuser showing my new design;
FIG. 2 is a front view thereof;
FIG. 3 is a rear view thereof;
FIG. 4 is a left side view thereof;
FIG. 5 is a right side view thereof;
FIG. 6 is a top view thereof; and,
FIG. 7 is a bottom view thereof.

1 Claim, 7 Drawing Sheets



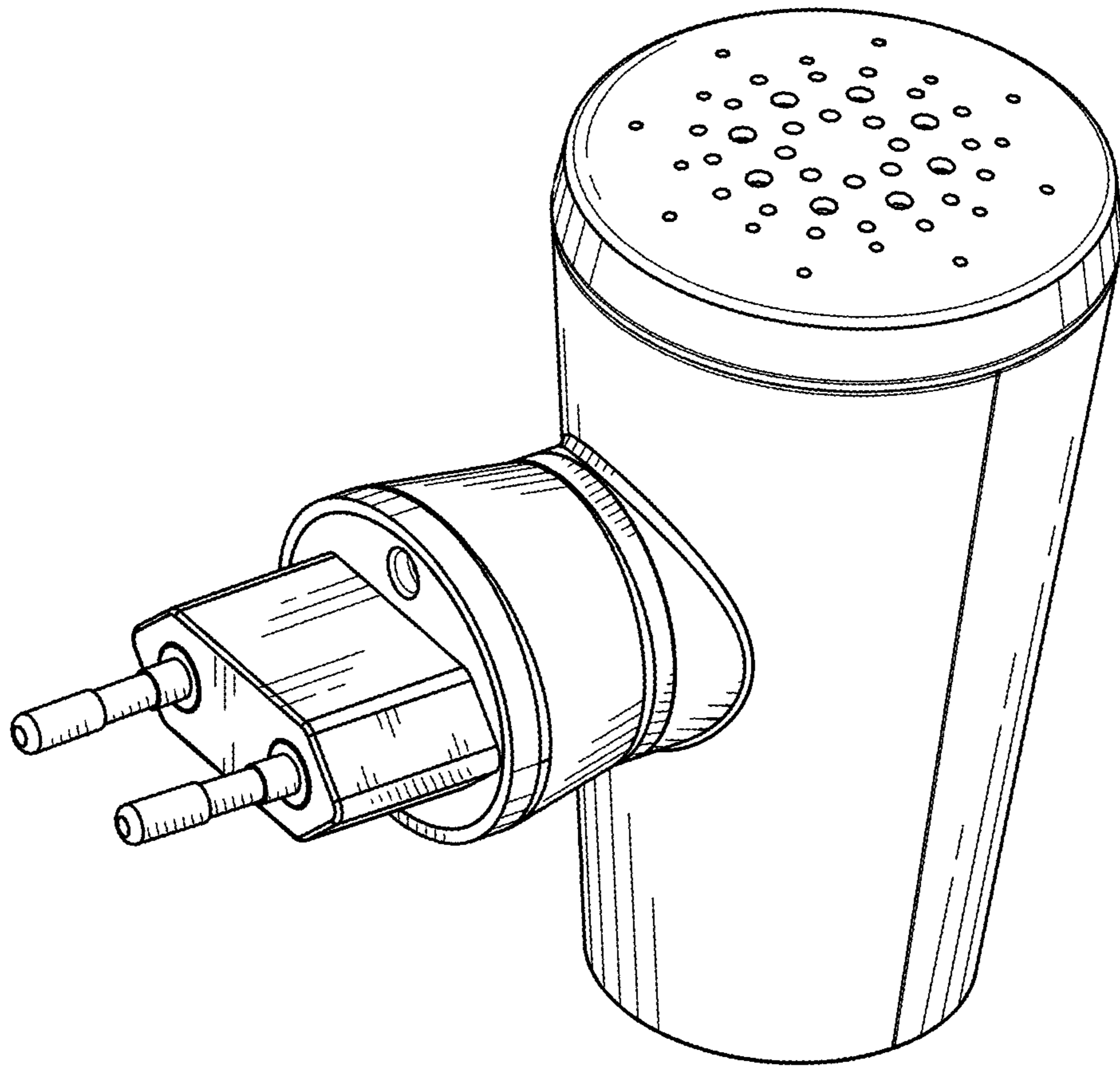


Fig. 1

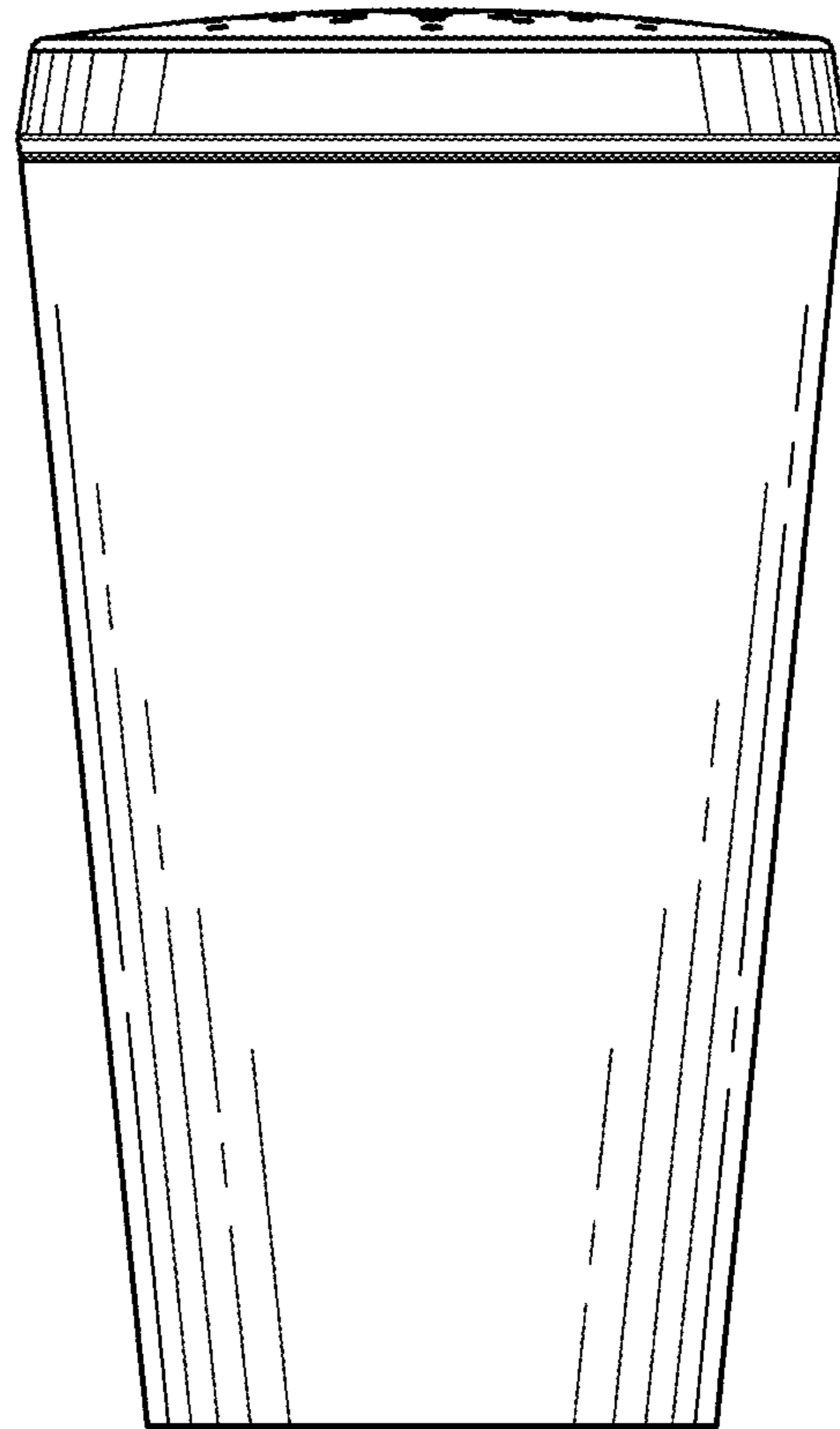


Fig. 2

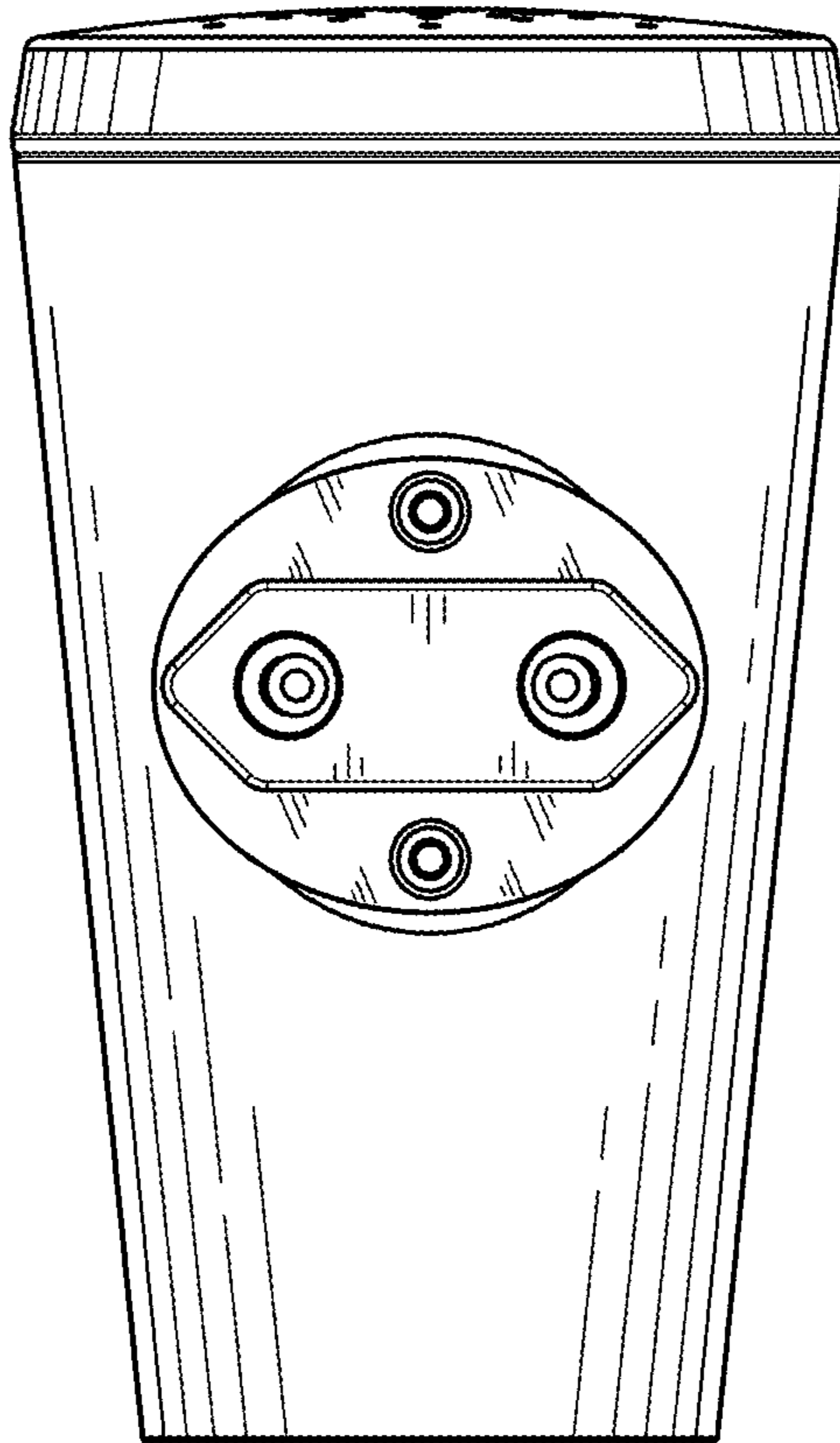


Fig. 3

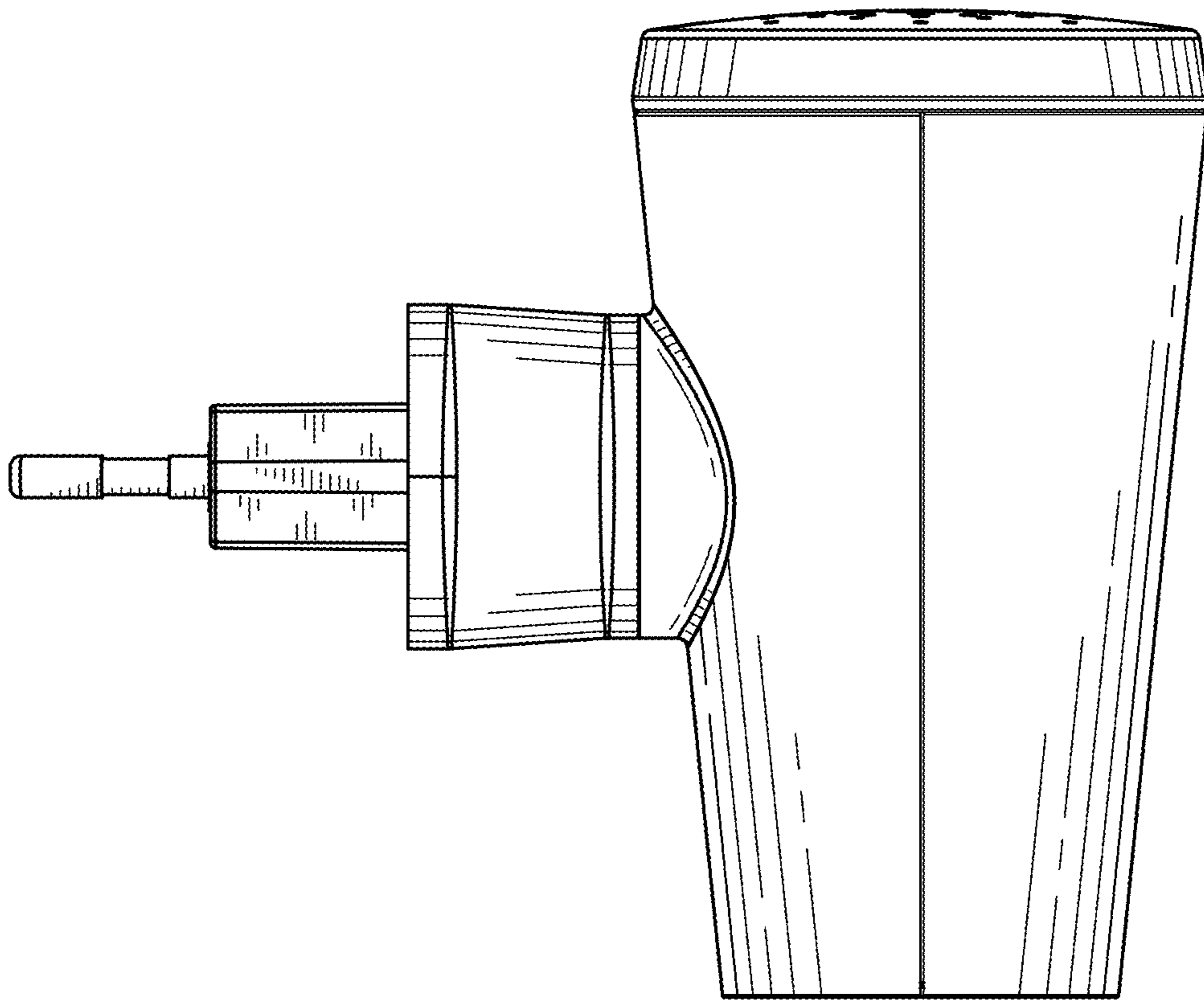


Fig. 4

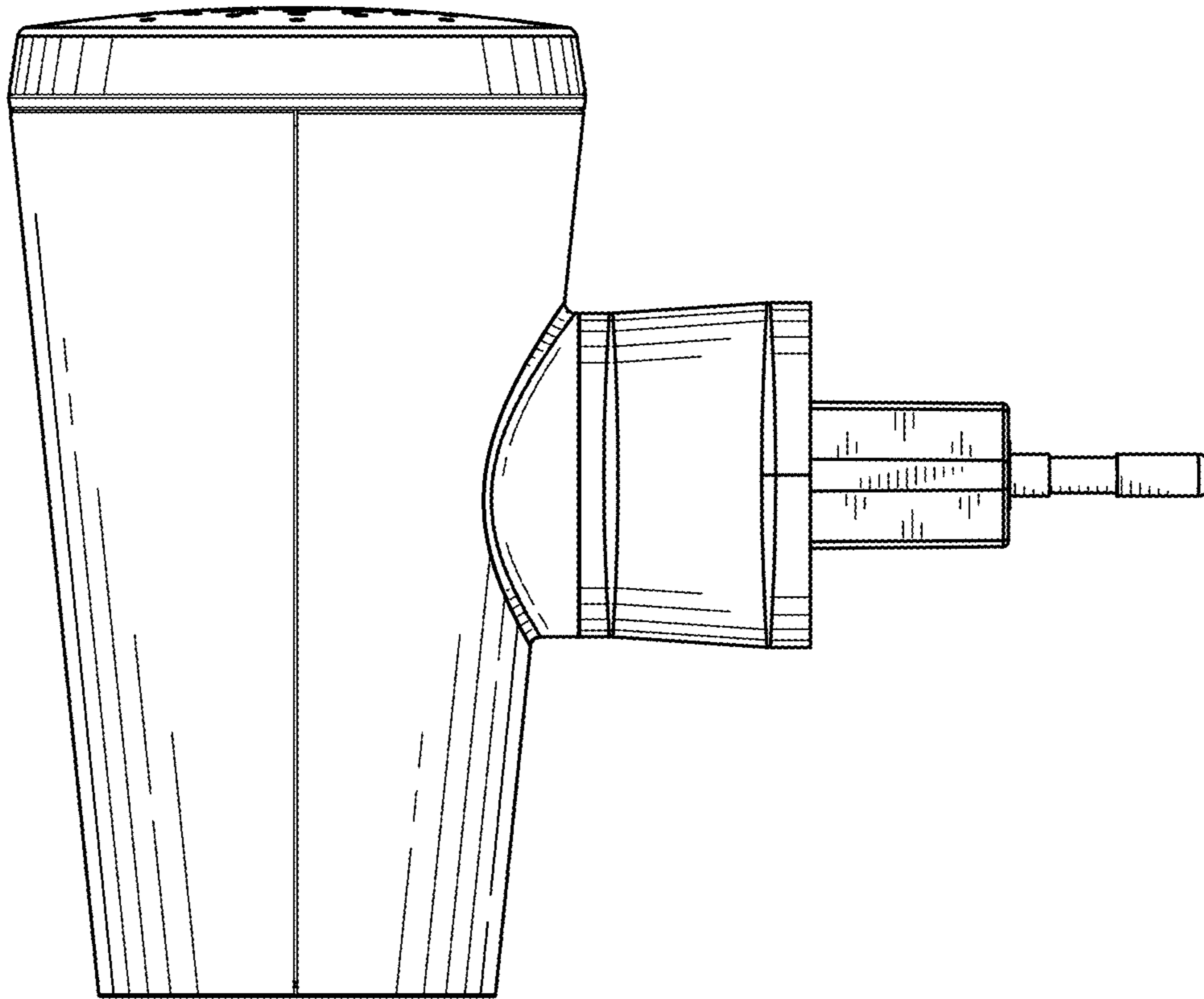


Fig. 5

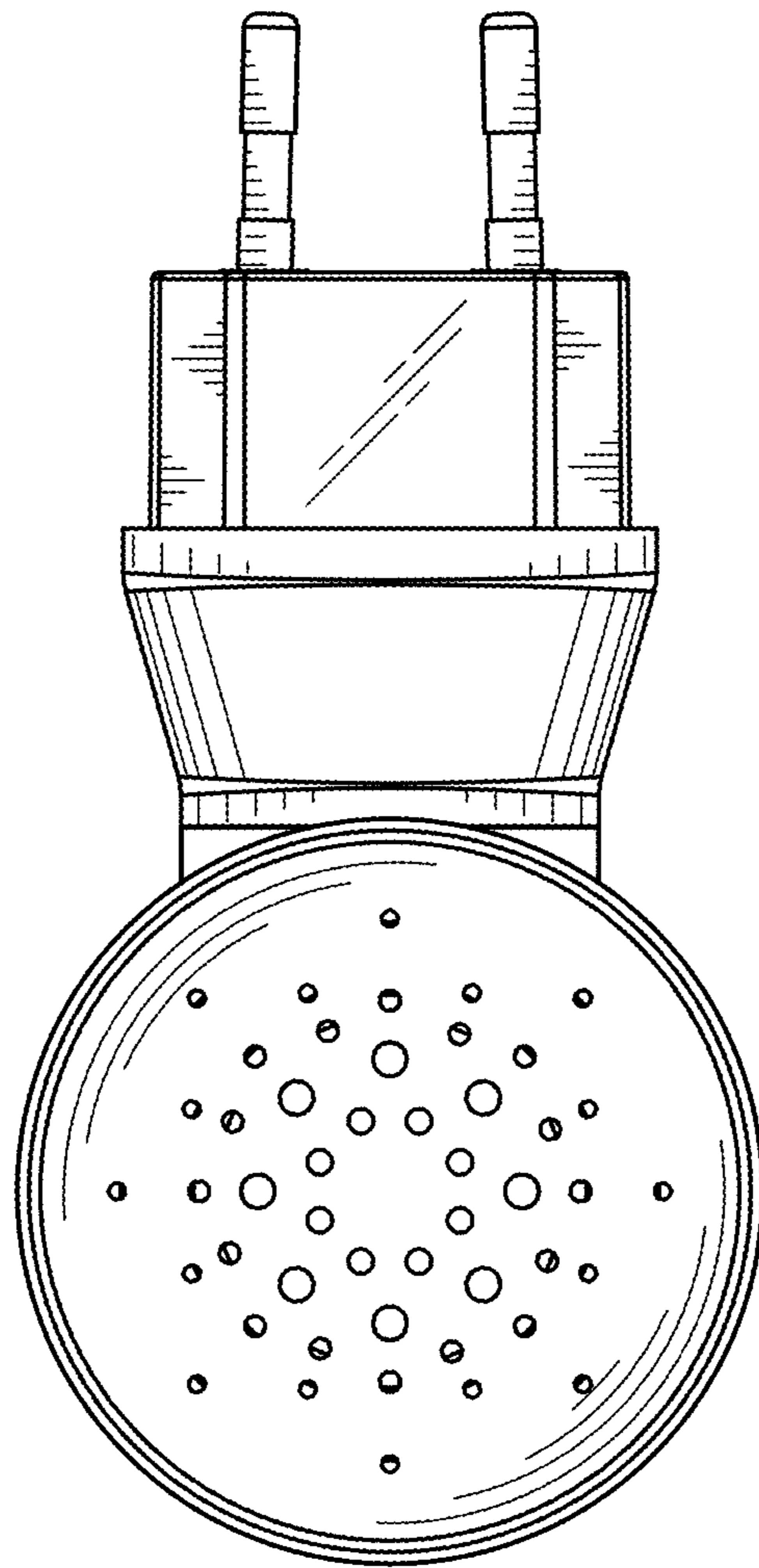


Fig. 6

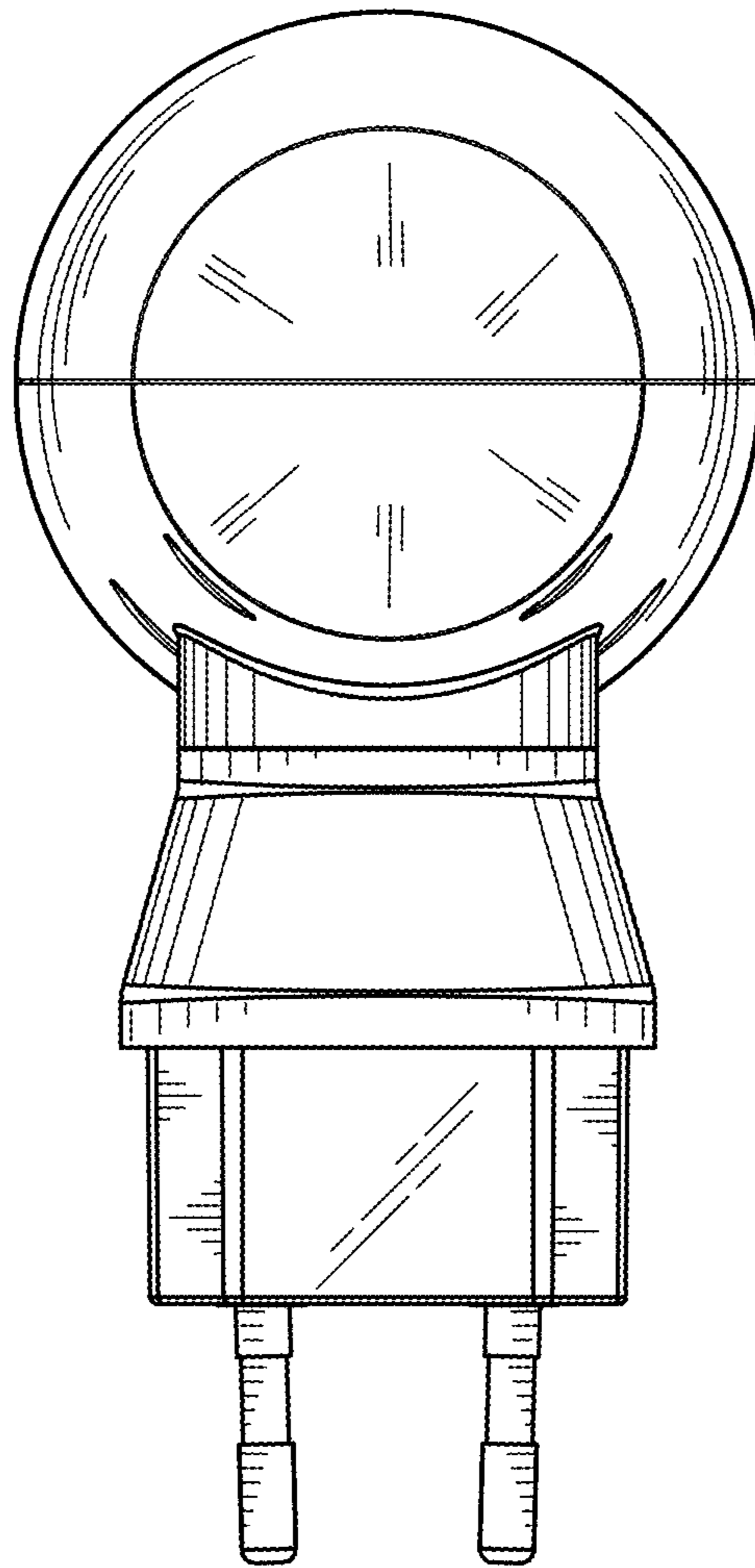


Fig. 7