



US00D686720S

(12) **United States Design Patent**
Lin

(10) **Patent No.:** **US D686,720 S**
(45) **Date of Patent:** **** Jul. 23, 2013**

- (54) **AROMA DIFFUSER**
- (71) Applicant: **Serene House International Enterprise Ltd.**, Road Town (VG)
- (72) Inventor: **Fen Ju Lin**, Taipei (TW)
- (73) Assignee: **Serene House International Enterprise Ltd.**, Road Town (VG)
- (**) Term: **14 Years**
- (21) Appl. No.: **29/441,516**
- (22) Filed: **Jan. 7, 2013**
- (51) **LOC (9) Cl.** **28-99**
- (52) **U.S. Cl.**
USPC **D23/366**
- (58) **Field of Classification Search**
USPC D23/355-369; D28/5, 6; 261/DIG. 17, 261/DIG. 42, DIG. 65, DIG. 88, DIG. 89, 261/DIG. 47, DIG. 55, DIG. 70; 392/356, 392/390, 392, 394, 395; 239/34, 44, 53, 55, 239/56, 326, 60, 308; D9/687; D7/591
See application file for complete search history.

D418,214 S *	12/1999	Cloutier	D23/366
D466,994 S *	12/2002	Yuen	D23/364
D482,110 S *	11/2003	Laferriere et al.	D23/364
D482,768 S *	11/2003	Chen	D23/366
D485,342 S *	1/2004	Collazo	D23/366
D486,213 S *	2/2004	Novak	D23/366
D503,973 S *	4/2005	Millan	D23/366
D532,892 S *	11/2006	Koon	D23/366
D551,333 S *	9/2007	Wu	D23/366
D575,383 S *	8/2008	Dalal	D23/366
D613,388 S *	4/2010	Koenig et al.	D23/366
D623,283 S *	9/2010	Dunn et al.	D23/366
D630,719 S *	1/2011	Wu	D23/366
D632,378 S *	2/2011	Deflorian et al.	D23/366
D643,102 S *	8/2011	Abbondanzio et al.	D23/366
D646,370 S *	10/2011	Kuo	D23/366

* cited by examiner

Primary Examiner — Sandra Snapp
(74) *Attorney, Agent, or Firm* — Ming Chow; Sinorica, LLC

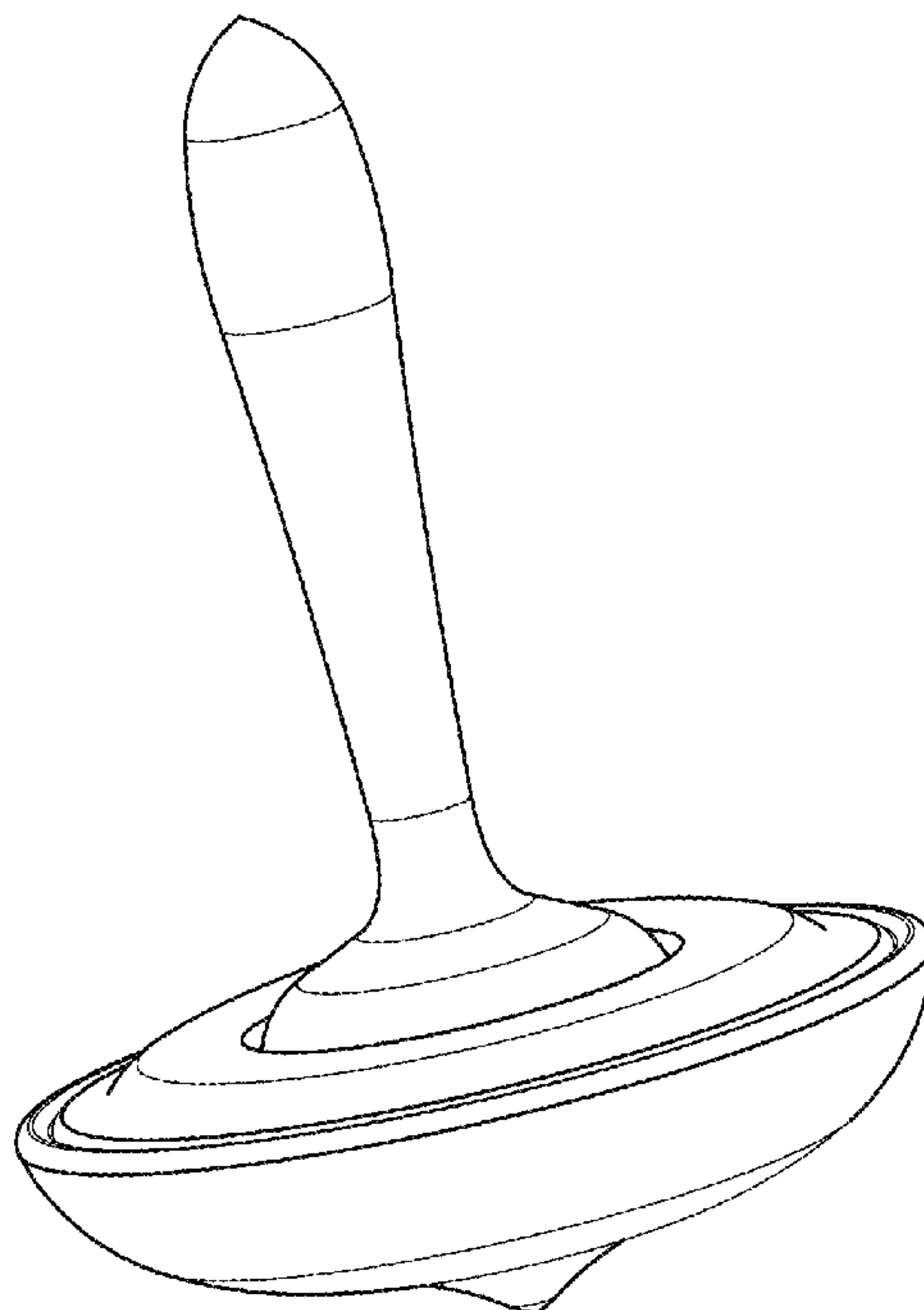
(57) **CLAIM**
The ornamental design for an aroma diffuser, as shown and described.

DESCRIPTION

FIG. 1 is a perspective view of an aroma diffuser showing my new design;
FIG. 2 is a front view, the rear side view being a mirror image thereof;
FIG. 3 is a left side view, the right side view being a mirror image thereof;
FIG. 4 is a top view thereof; and,
FIG. 5 is a bottom view thereof.

1 Claim, 5 Drawing Sheets

- (56) **References Cited**
U.S. PATENT DOCUMENTS
4,394,781 A * 7/1983 Axmann 2/67
4,968,456 A * 11/1990 Muderlak et al. 422/122
D314,044 S * 1/1991 Montanari D23/366
D315,789 S * 3/1991 Muderlak D23/366
D390,939 S * 2/1998 Colandro D23/366
D418,213 S * 12/1999 Colandro D23/366



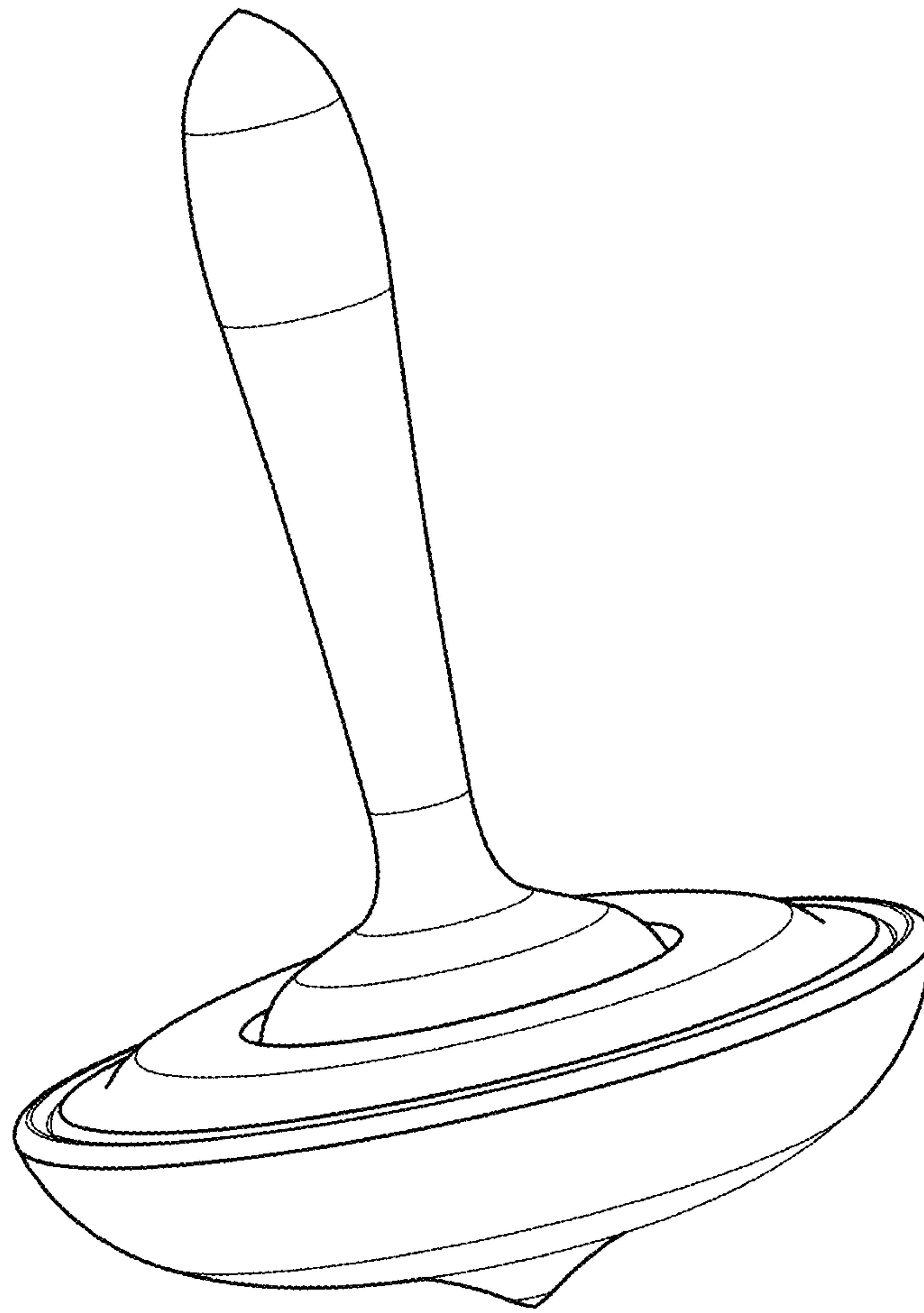


Fig. 1

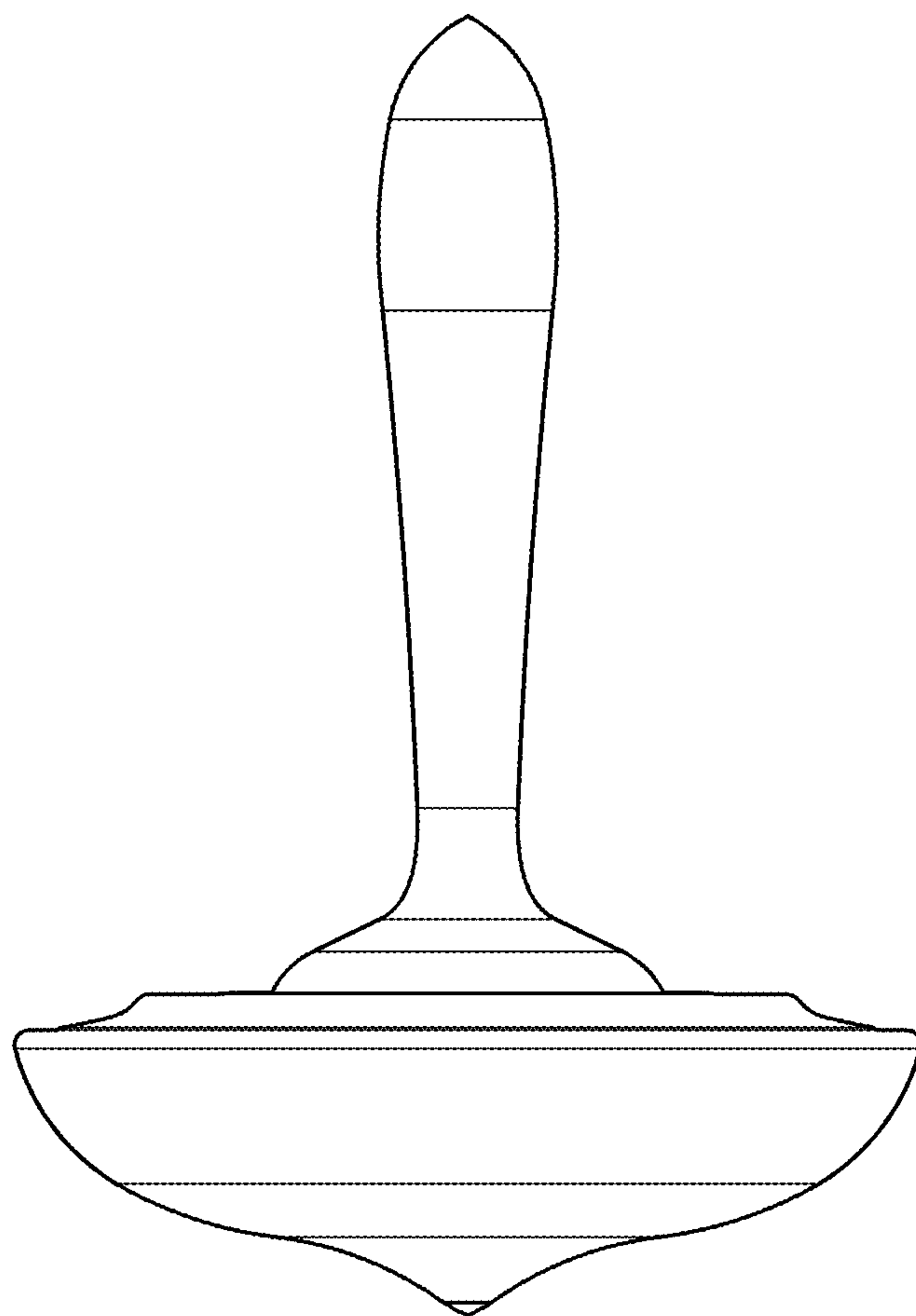


Fig. 2

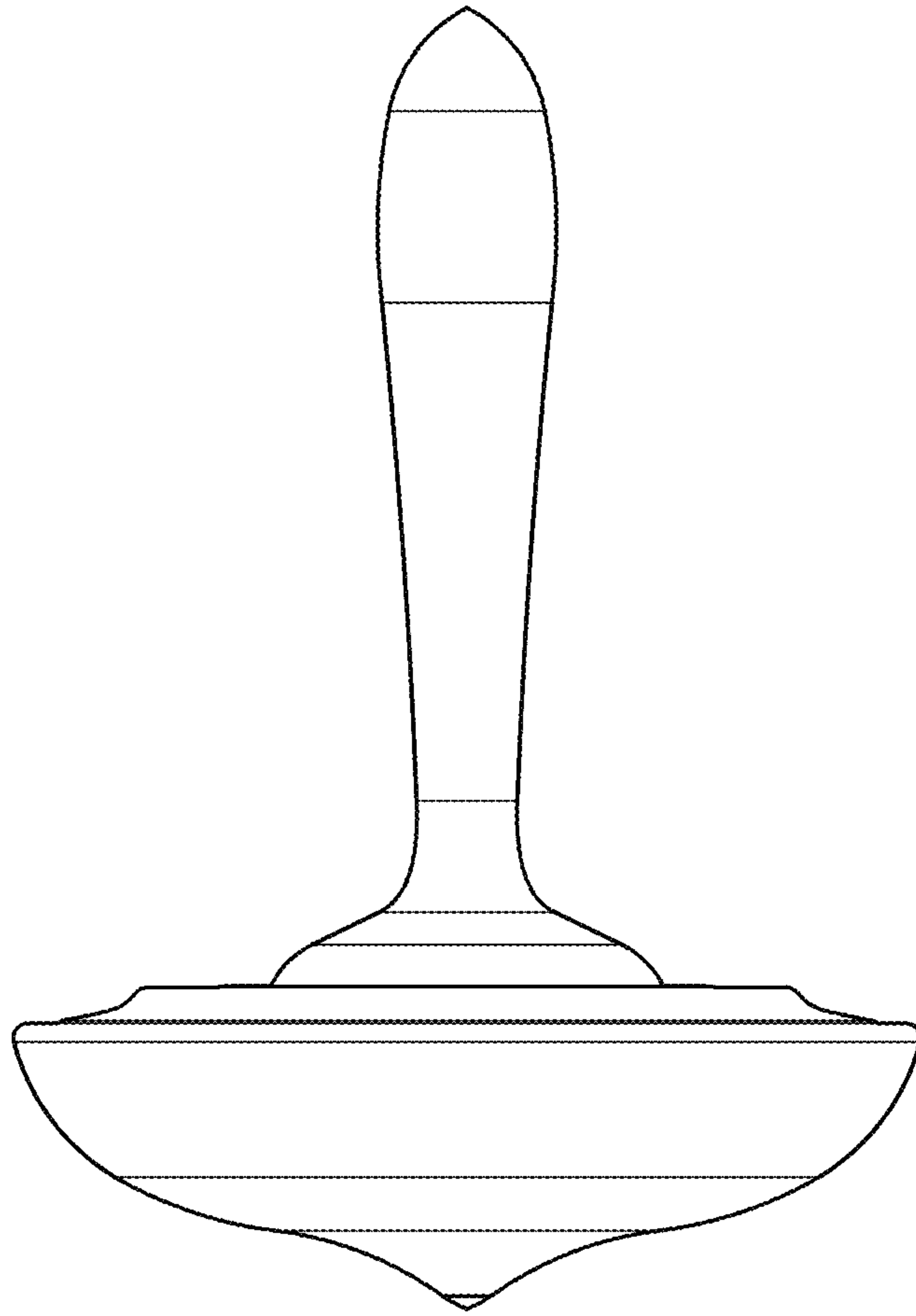


Fig. 3

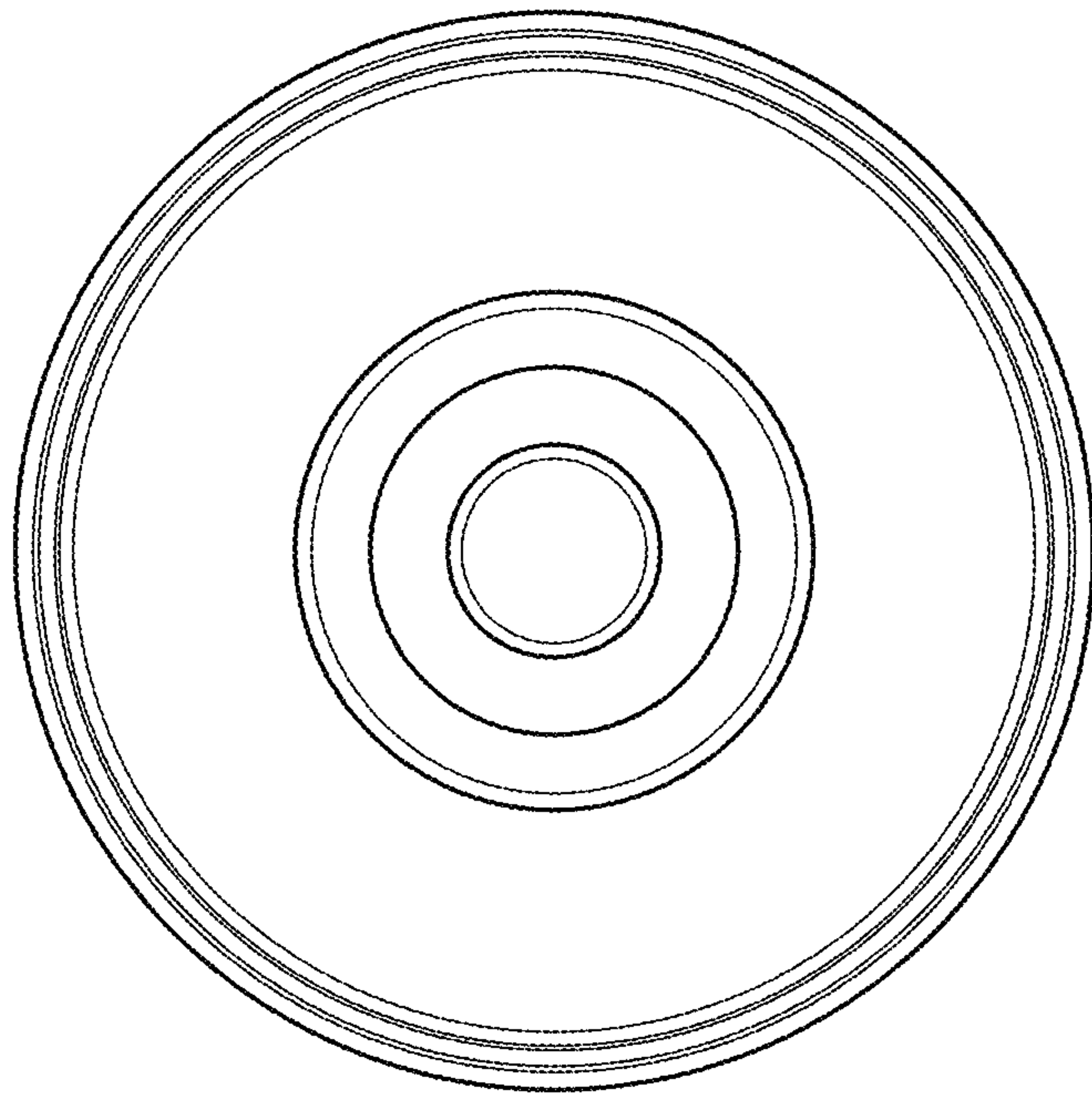


Fig. 4

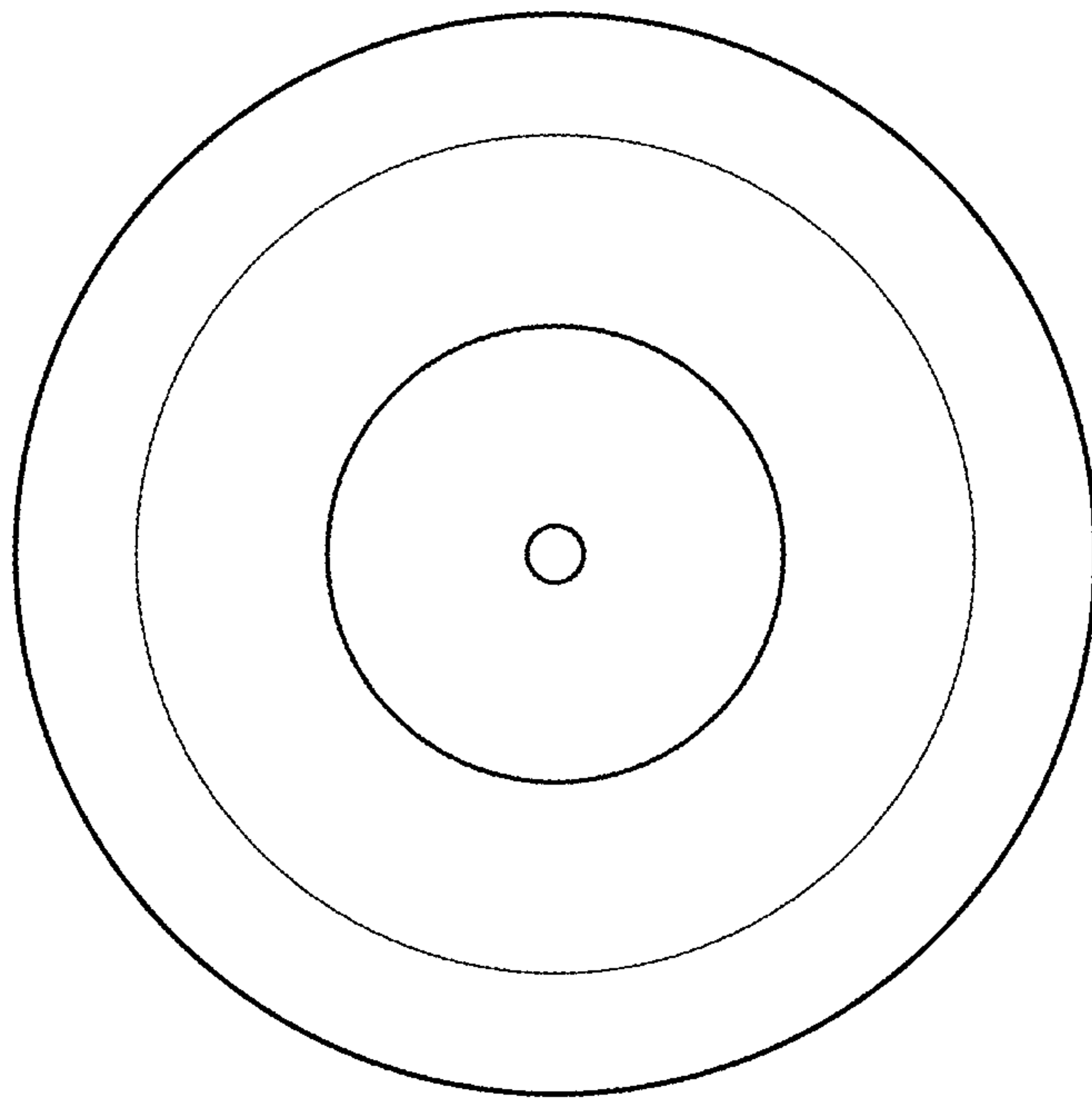


Fig. 5