



US00D686706S

(12) **United States Design Patent**  
**Eilmus**

(10) **Patent No.:** **US D686,706 S**

(45) **Date of Patent:** **\*\* Jul. 23, 2013**

(54) **PLUMBING FITTING**

(75) Inventor: **Niels J. Eilmus**, Sheboygan, WI (US)

(73) Assignee: **Kohler Co.**, Kohler, WI (US)

(\*\*) Term: **14 Years**

(21) Appl. No.: **29/324,385**

(22) Filed: **Sep. 11, 2008**

**Related U.S. Application Data**

(63) Continuation-in-part of application No. 29/305,208, filed on Mar. 14, 2008, now Pat. No. Des. 585,111.

(51) **LOC (9) Cl.** ..... **23-01**

(52) **U.S. Cl.**  
USPC ..... **D23/255**

(58) **Field of Classification Search**  
USPC ..... D23/200, 238-257; D6/512, 546, D6/550; D8/300, 307-308, 310-312, 321; 4/675-678; 137/801, 599.01; 16/110.1, 441  
See application file for complete search history.

(56) **References Cited**

**U.S. PATENT DOCUMENTS**

D56,935 S 1/1921 Mueller  
1,597,477 A 8/1926 Panhorst

(Continued)

**FOREIGN PATENT DOCUMENTS**

CH 000296918-0006 4/2006

**OTHER PUBLICATIONS**

Danze. "Pot Filler Kitchen Faucet". Faucet.com online catalog. Copyright 1994-2007.

(Continued)

*Primary Examiner* — T. Chase Nelson

*Assistant Examiner* — Mark Cavanna

(74) *Attorney, Agent, or Firm* — Foley & Larnder LLP

(57) **CLAIM**

The ornamental design for a plumbing fitting, as shown and described.

**DESCRIPTION**

FIG. 1 is a right, top, front perspective view of a plumbing fitting embodying my new design shown in one of many extended positions;

FIG. 2 is a right side elevational view thereof;

FIG. 3 is a left side elevational view thereof;

FIG. 4 is a front elevational view thereof;

FIG. 5 is a rear elevational view thereof;

FIG. 6 is a top plan view thereof;

FIG. 7 is a bottom plan view thereof;

FIG. 8 is a left, top, front perspective view of a plumbing fitting according to another embodiment of my new design, the right side, left side, front and rear elevational views thereof in the corresponding extending position being mirror images of the views shown in respective FIGS. 2-5 and the top and bottom plan views thereof in the corresponding extended position being mirror images of the views shown in respective FIGS. 6 and 7;

FIG. 9 is a right, top, front perspective view of the plumbing fitting of FIG. 1 shown in a retracted position;

FIG. 10 is a front elevational view thereof;

FIG. 11 is a rear elevational view thereof;

FIG. 12 is a right side elevational view thereof;

FIG. 13 is a left side elevational view thereof;

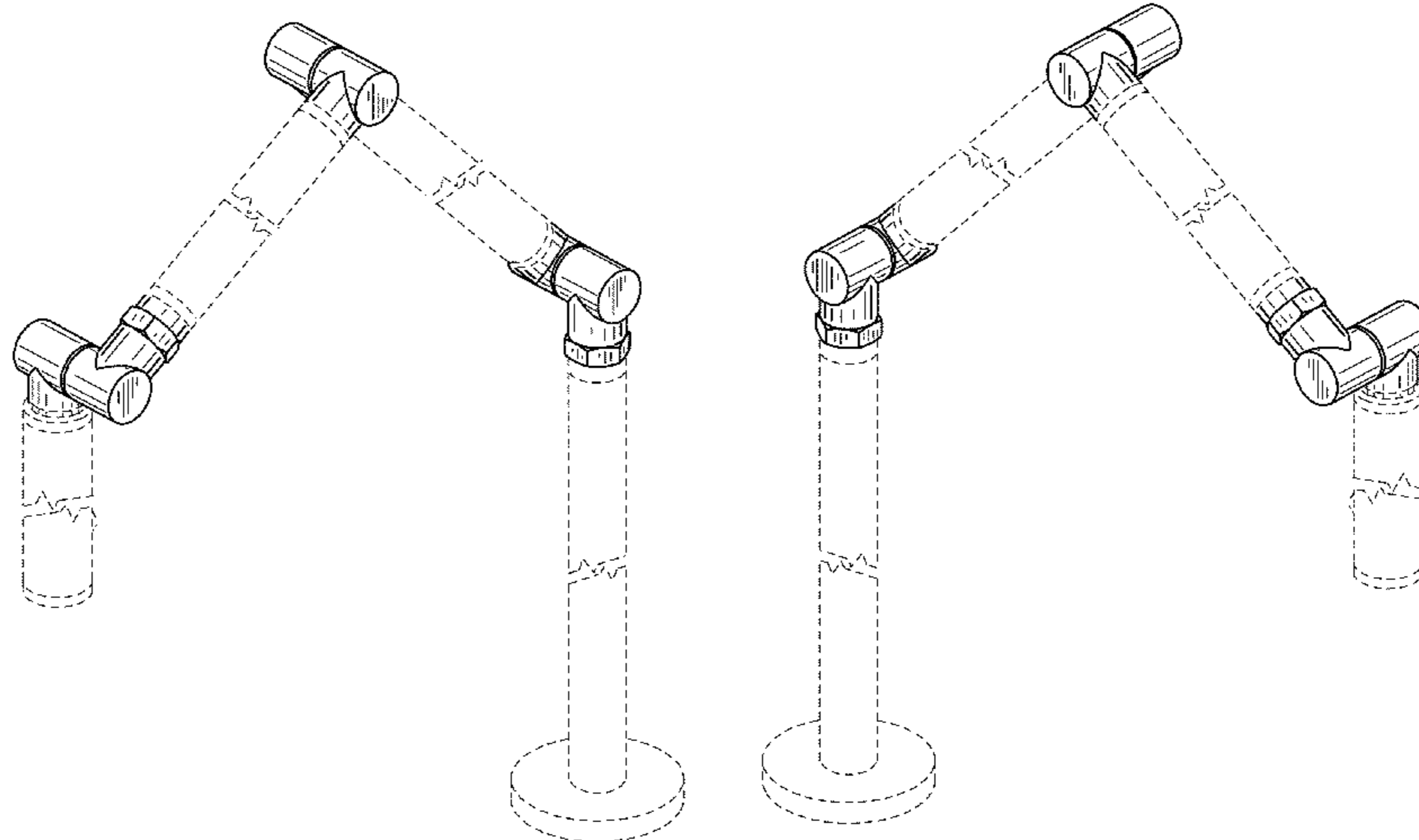
FIG. 14 is a top plan view thereof;

FIG. 15 is a bottom plan view thereof; and,

FIG. 16 is a left, top, front perspective view of the plumbing fitting of FIG. 8 shown in a retracted position, the front, rear, right side and left side elevational views thereof being mirror images of the views shown in respective FIGS. 10-13 and the top and bottom plan views thereof being mirror images of the views shown in FIGS. 14 and 15.

The broken line representations in the figures are for the purpose of illustration only, and form no part of the claimed design.

**1 Claim, 9 Drawing Sheets**



U.S. PATENT DOCUMENTS

D72,505 S 4/1927 Van Eweyk  
 1,838,290 A \* 12/1931 Steckel ..... 137/599.01  
 D117,697 S 11/1939 Mortimer  
 D141,718 S 6/1945 Blank  
 2,464,852 A 3/1949 De Lisa  
 D313,836 S 1/1991 Knapp  
 D315,397 S 3/1991 Knapp  
 5,050,246 A 9/1991 Huntoon  
 D326,505 S 5/1992 Kohler et al.  
 D344,127 S 2/1994 Carr et al.  
 D347,262 S 5/1994 Black et al.  
 D351,529 S 10/1994 Scott, Jr.  
 D363,763 S 10/1995 Starck  
 D376,413 S 12/1996 Kergoet  
 D378,491 S 3/1997 Chretien  
 D440,637 S 4/2001 Lefroy-Brooks  
 D457,938 S 5/2002 Lobermeier  
 D458,988 S 6/2002 Schroder  
 6,425,149 B1 \* 7/2002 Wang ..... 4/675  
 D461,529 S 8/2002 Gottwald  
 D464,711 S \* 10/2002 Warshawsky ..... D23/243  
 D469,157 S 1/2003 Lobermeier  
 D472,308 S 3/2003 Hundley  
 D475,437 S 6/2003 Dimitriadis et al.  
 D478,370 S 8/2003 Ouyoung  
 D481,445 S 10/2003 Haug et al.  
 D491,253 S 6/2004 Hansle  
 D492,393 S \* 6/2004 Herring et al. .... D23/243  
 D496,714 S \* 9/2004 Warshawsky ..... D23/238  
 D496,715 S \* 9/2004 Warshawsky ..... D23/238  
 D497,197 S \* 10/2004 Warshawsky ..... D23/243  
 D497,410 S \* 10/2004 Warshawsky ..... D23/241  
 D497,411 S \* 10/2004 Warshawsky ..... D23/241  
 6,813,787 B2 11/2004 Rosenberg  
 D508,551 S \* 8/2005 Warshawsky ..... D23/241  
 D508,552 S \* 8/2005 Warshawsky ..... D23/241  
 D514,198 S 1/2006 Starck  
 D514,664 S 2/2006 Starck  
 D516,171 S 2/2006 Meylan  
 D525,342 S 7/2006 Starck  
 D527,076 S 8/2006 Kolin et al.  
 D527,796 S \* 9/2006 Lammel ..... D23/239  
 D528,188 S 9/2006 Lammel et al.  
 D529,580 S 10/2006 Shieh  
 D530,787 S 10/2006 Yoshioka et al.  
 D531,698 S 11/2006 Wood et al.  
 D534,992 S \* 1/2007 Lobermeier et al. .... D23/243  
 D535,356 S 1/2007 Kuran et al.  
 D540,435 S \* 4/2007 Wilcox et al. .... D23/243  
 D548,308 S 8/2007 Hoernig  
 D551,324 S 9/2007 Wilcox et al.  
 D560,762 S \* 1/2008 Eckhaus et al. .... D23/249

D562,947 S 2/2008 Zhang  
 D565,705 S \* 4/2008 Kuran et al. .... D23/249  
 D571,437 S \* 6/2008 Kristensen et al. .... D23/242  
 D576,705 S 9/2008 McKeone  
 D579,080 S \* 10/2008 Zhang ..... D23/238  
 D584,383 S 1/2009 Eilmus  
 D585,111 S \* 1/2009 Eilmus ..... D23/238  
 D589,121 S \* 3/2009 McKeone ..... D23/238  
 D591,398 S 4/2009 Lammel et al.  
 D599,893 S \* 9/2009 Sieger ..... D23/255  
 D606,173 S \* 12/2009 Sieger ..... D23/255  
 D612,015 S \* 3/2010 Lammel et al. .... D23/238  
 D619,220 S \* 7/2010 Semchuck et al. .... D23/238  
 D620,557 S \* 7/2010 Eilmus ..... D23/238  
 D627,857 S \* 11/2010 Eilmus ..... D23/238  
 D630,711 S \* 1/2011 Eilmus ..... D23/238  
 D632,363 S \* 2/2011 McKeone ..... D23/238  
 D641,454 S \* 7/2011 McKeone ..... D23/238  
 D643,911 S \* 8/2011 Erickson et al. .... D23/255  
 8,024,822 B2 9/2011 Macan et al.  
 D646,359 S \* 10/2011 Sieger ..... D23/238  
 8,061,386 B2 \* 11/2011 Mueller et al. .... 137/801  
 8,082,610 B2 12/2011 Henry et al.  
 2006/0180222 A1 8/2006 Kang

OTHER PUBLICATIONS

Kohler Co. "Margaux Single-Control Lavatory Faucet", Model No. K-16230-4. Kohler Co. online catalog, Copyright 2007 Kohler Co.  
 Kohler Co. "Fountainhead Integral Laminar Faucet". Model No. K-2443-4. Kohler Co. online catalog. Copyright 2007 Kohler Co.  
 Danze. "Deck Mount Pot Filler—Parma Collection". PlumbingSupply.com online catalog. Copyright 1995-2008 PlumbingSupply.com.  
 Elements of Design. "NuVo Pot Filler Faucets", PlumbingSupply.com online catalog. Copyright 1995-2008 PlumbingSupply.com.  
 Danze. "Quality Wall Mount Pot Filler Faucets—Melrose Collection", PlumbingSupply.com online catalog. Copyright 1995-2008 PlumbingSupply.com.  
 Cucina. "Porto Pot Filler Faucets". PlumbingSupply.com online catalog. Copyright 1995-2008 PlumbingSupply.com.  
 Notice of Allowance on U.S. Appl. No. 29/410,523, mail date Mar. 5, 2012, 7 pages.  
 Office Action on U.S. Appl. No. 29/417,078, mail date Jul. 23, 2012, 9 pages.  
 Restriction Requirement for U.S. Appl. No. 29/422,890, mail date Oct. 9, 2012, 6 pages.  
 Office Action for U.S. Appl. No. 29/441,671, mail date Mar. 18, 2013, 10 pages.

\* cited by examiner

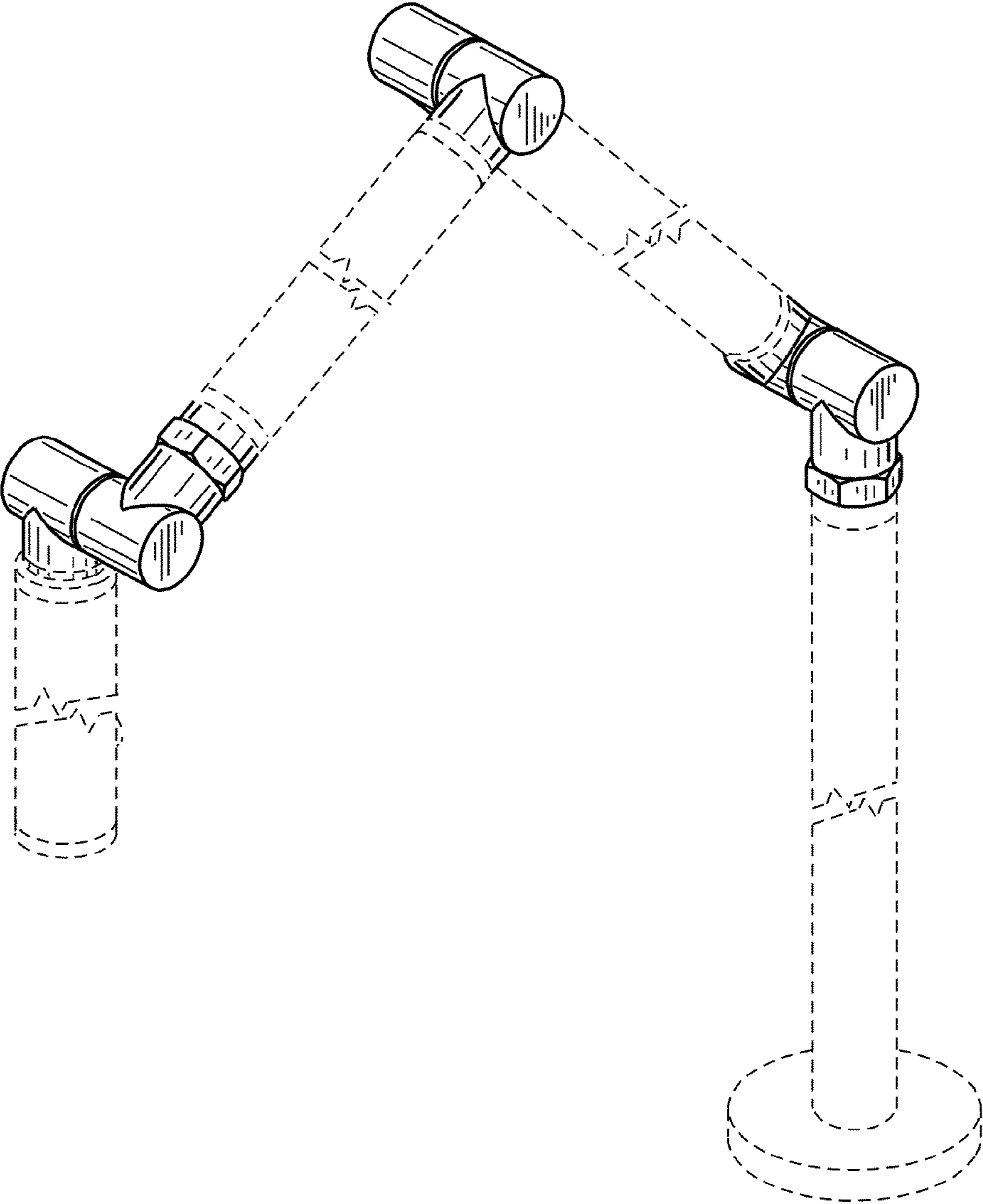


FIG. 1



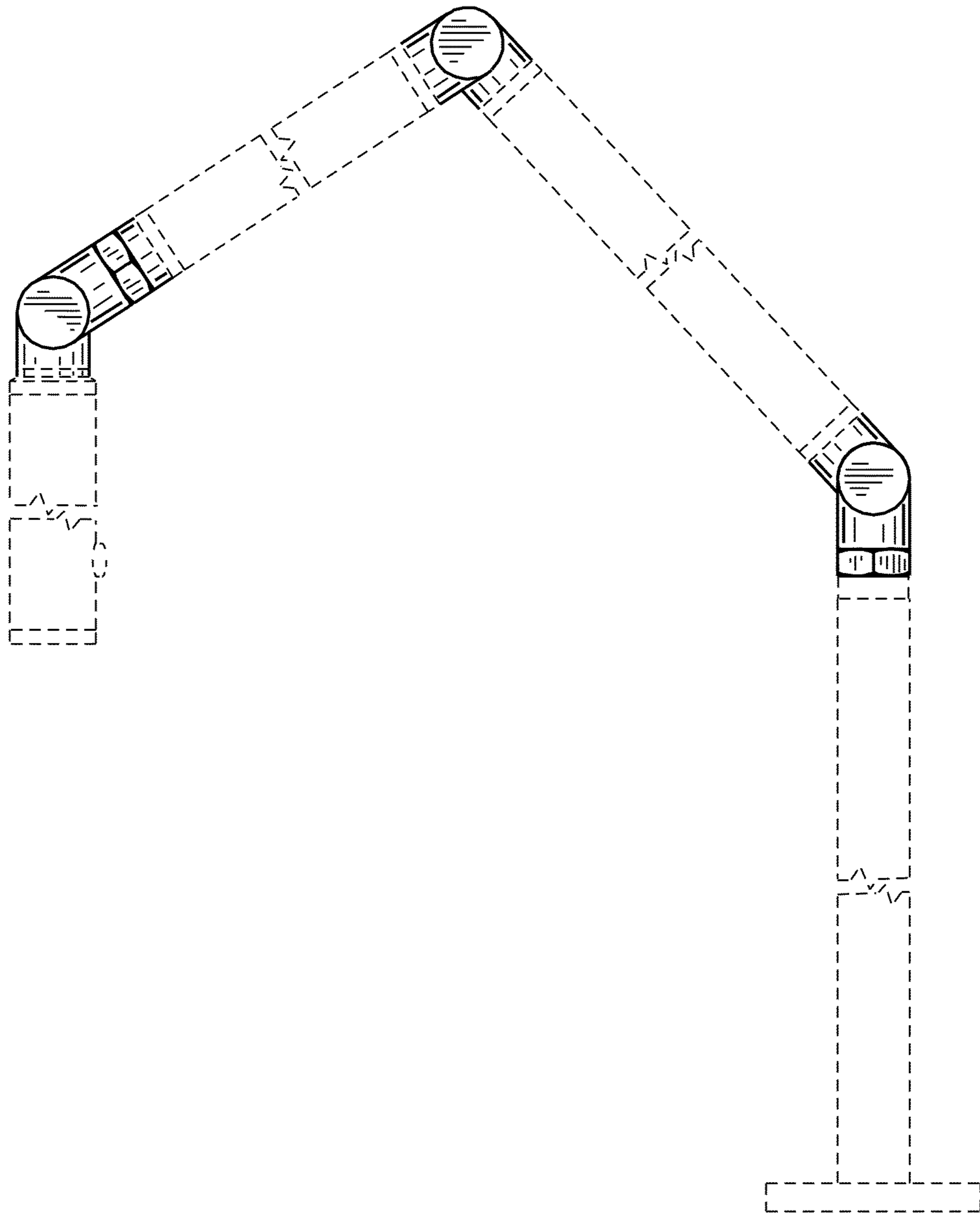


FIG. 2

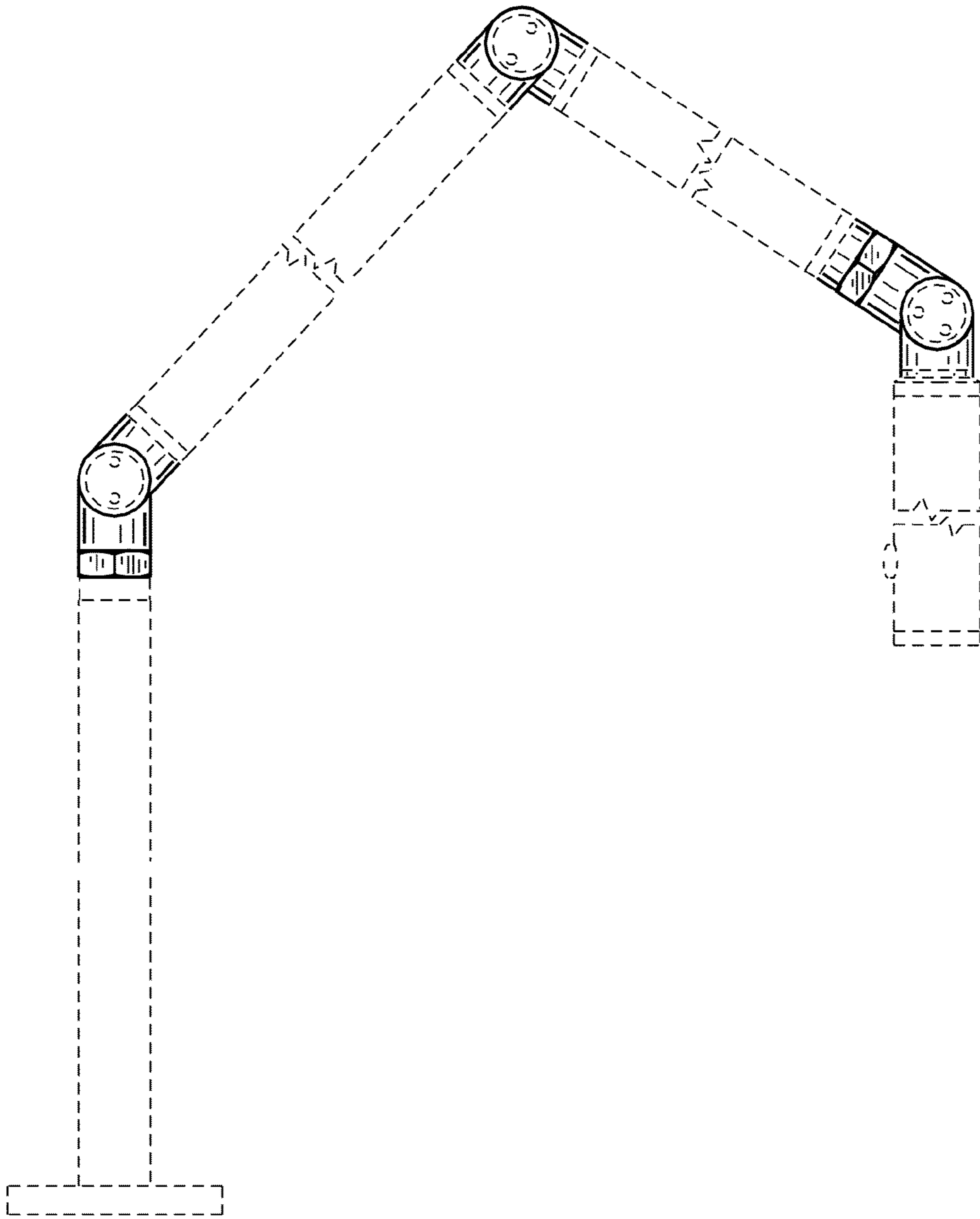


FIG. 3

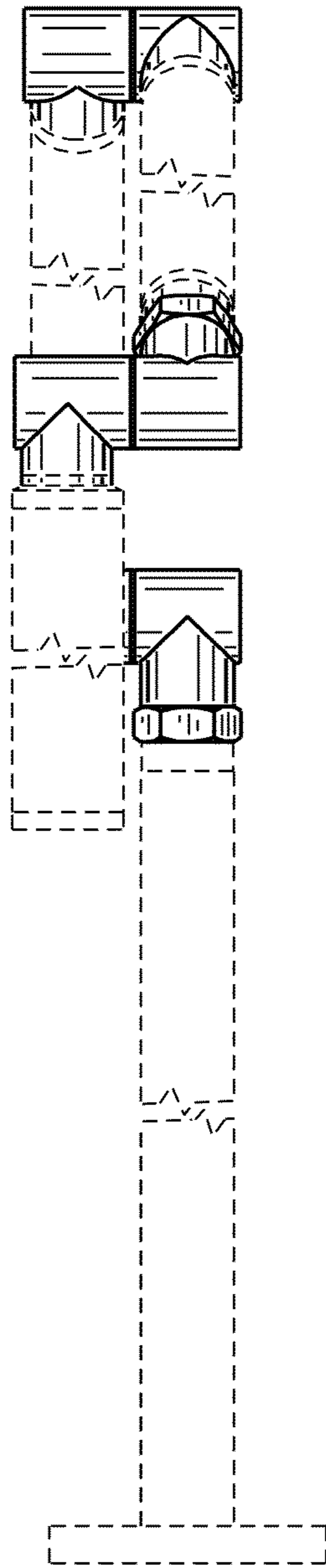


FIG. 4

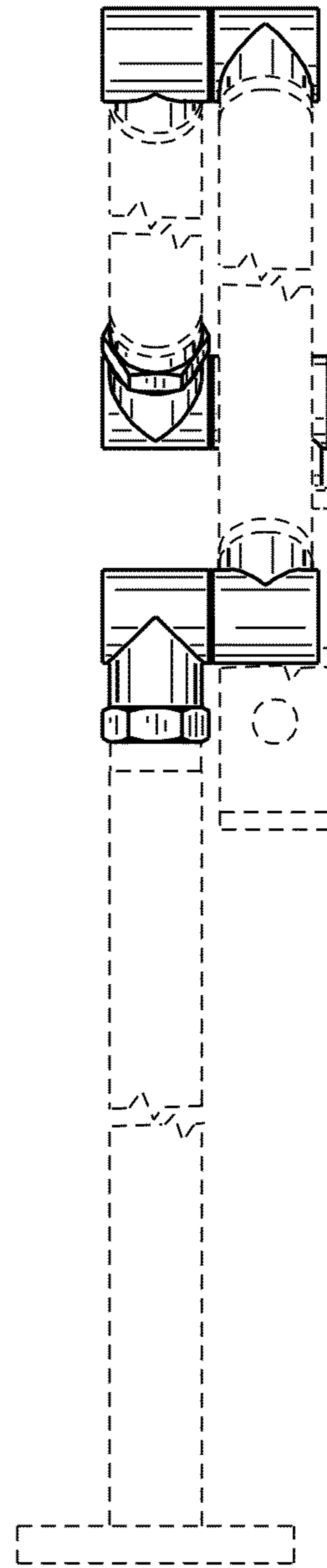


FIG. 5

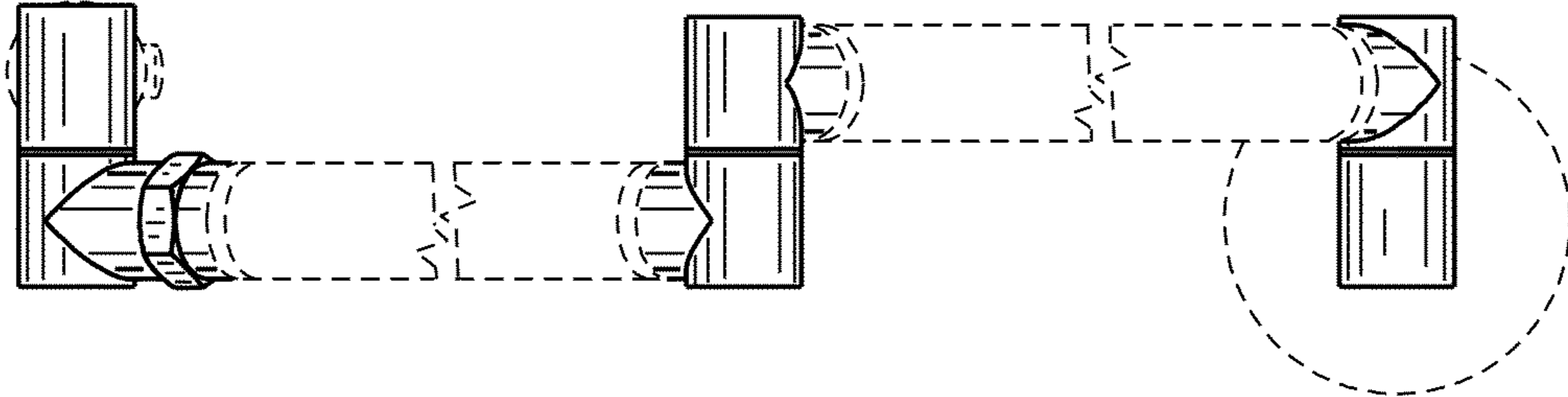


FIG. 6

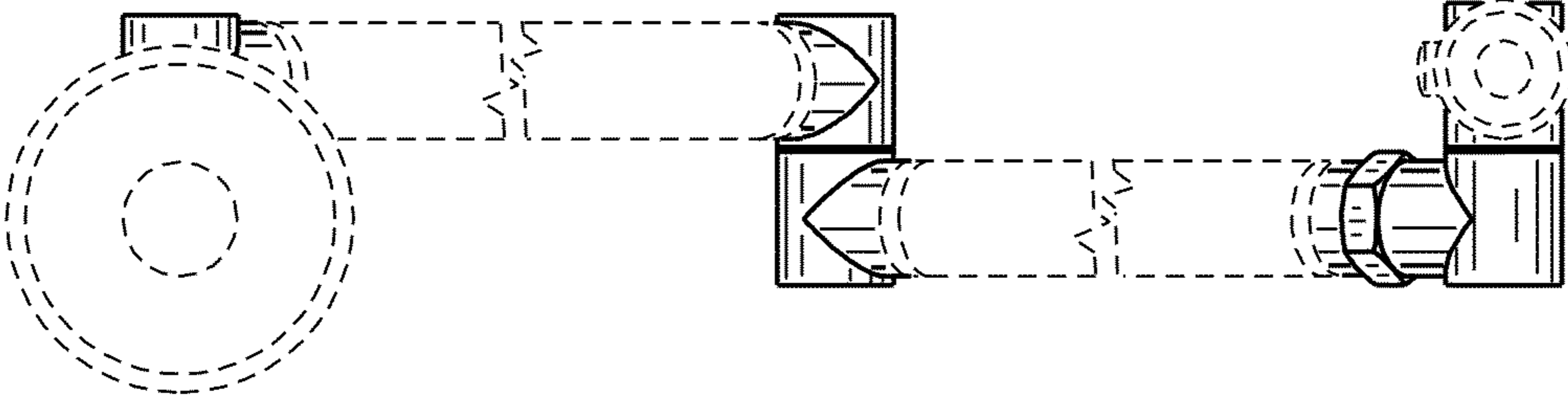


FIG. 7

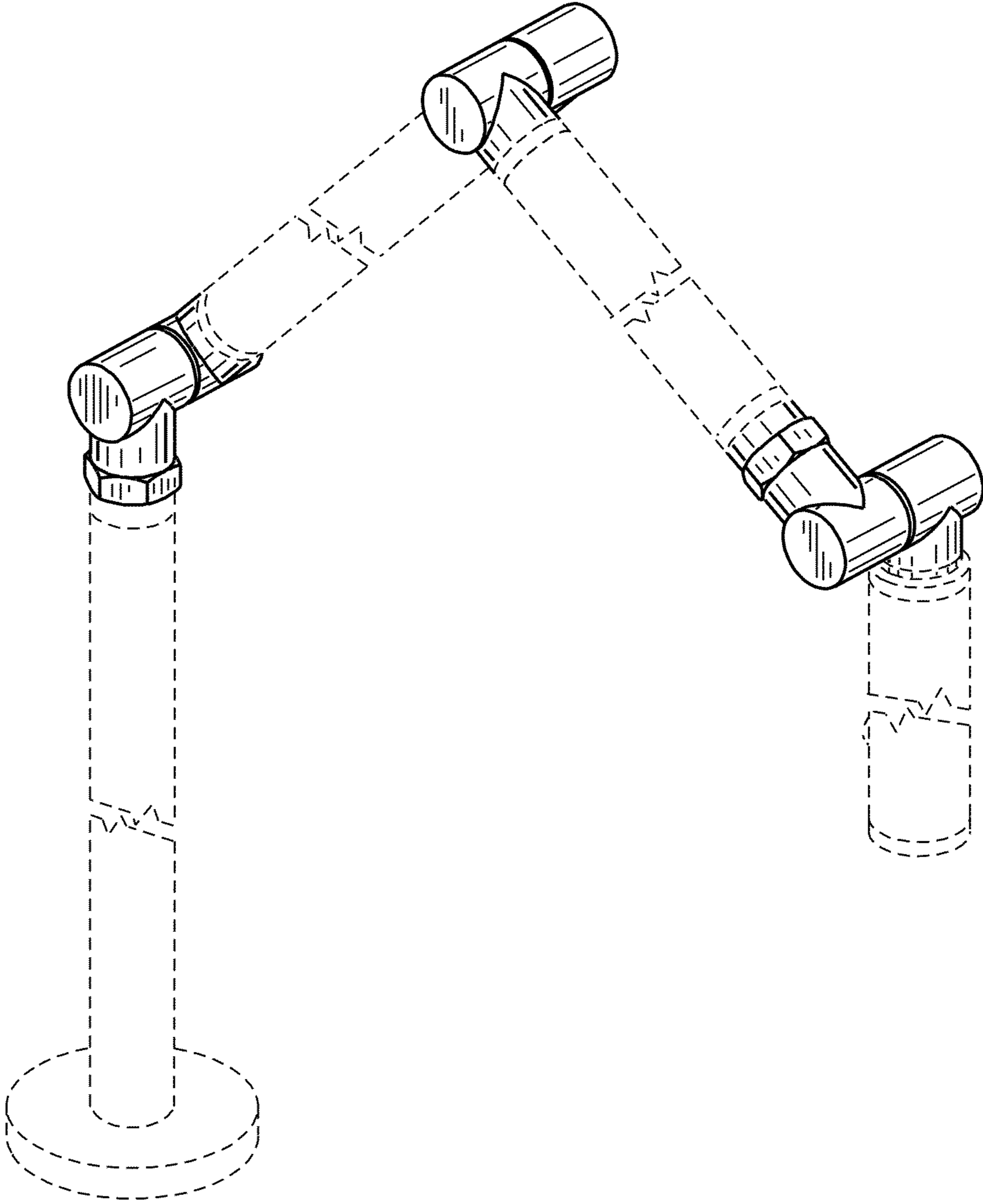


FIG. 8



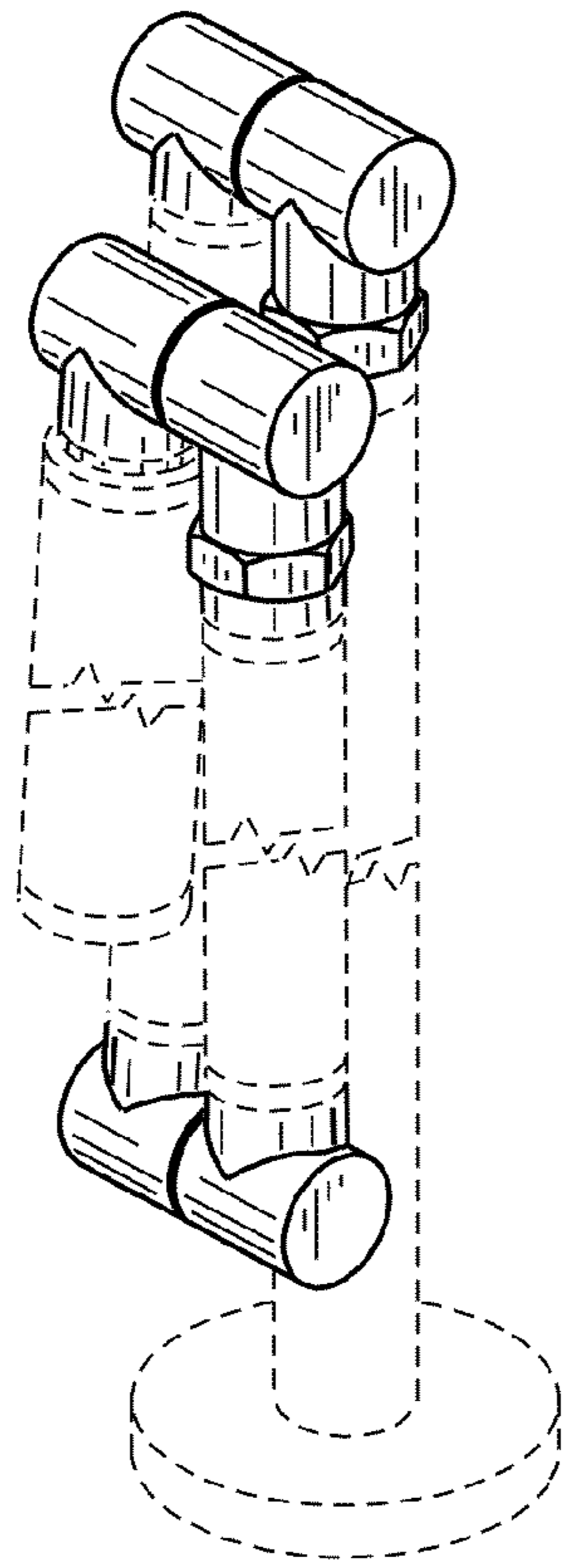


FIG. 9

FIG. 10

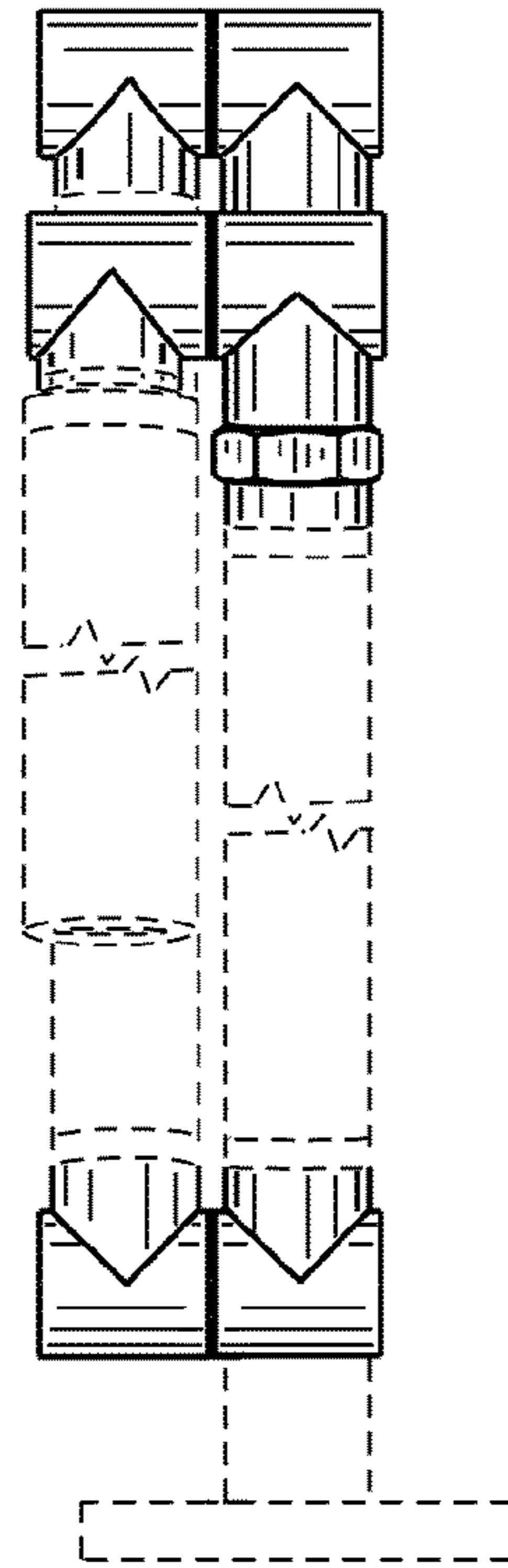


FIG. 11

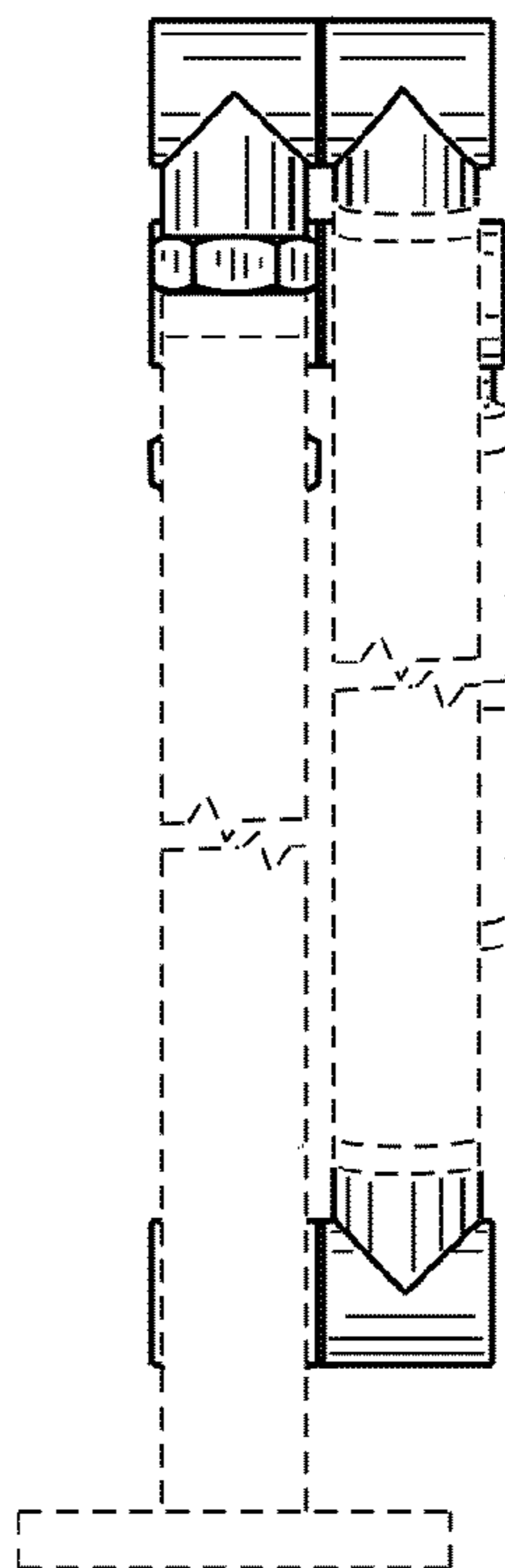


FIG. 12

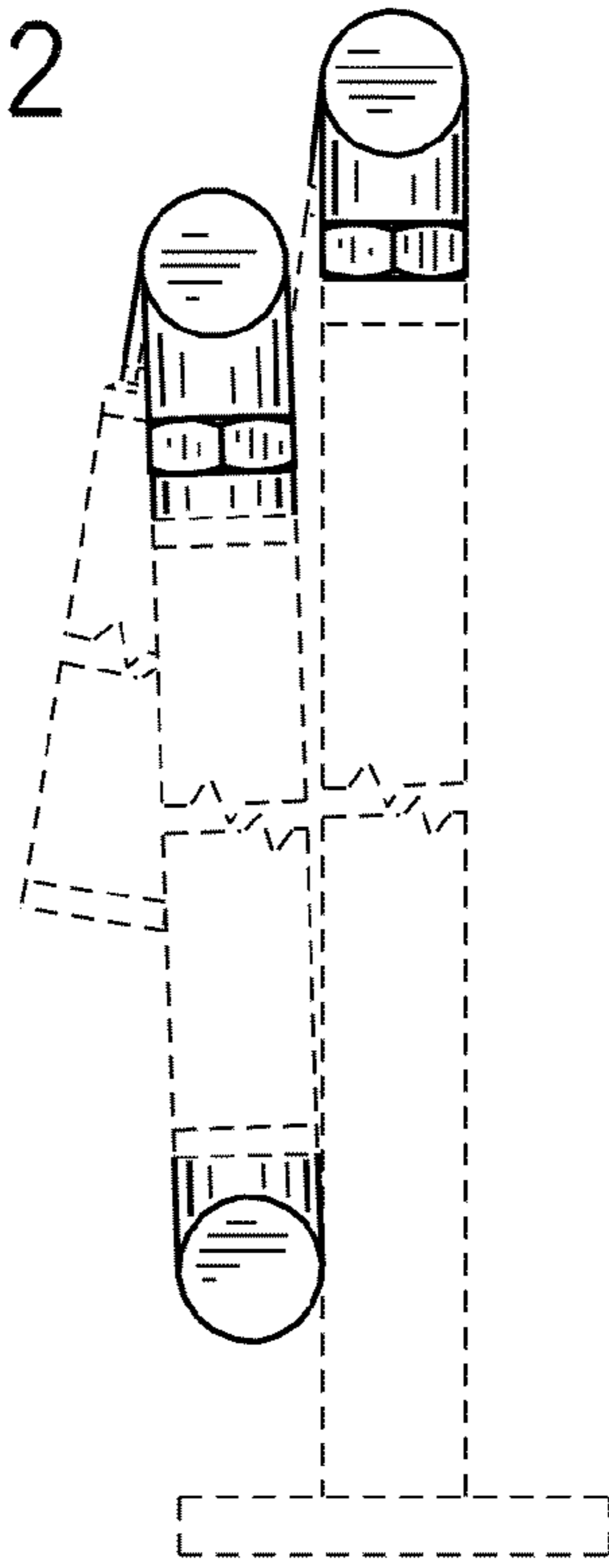


FIG. 13

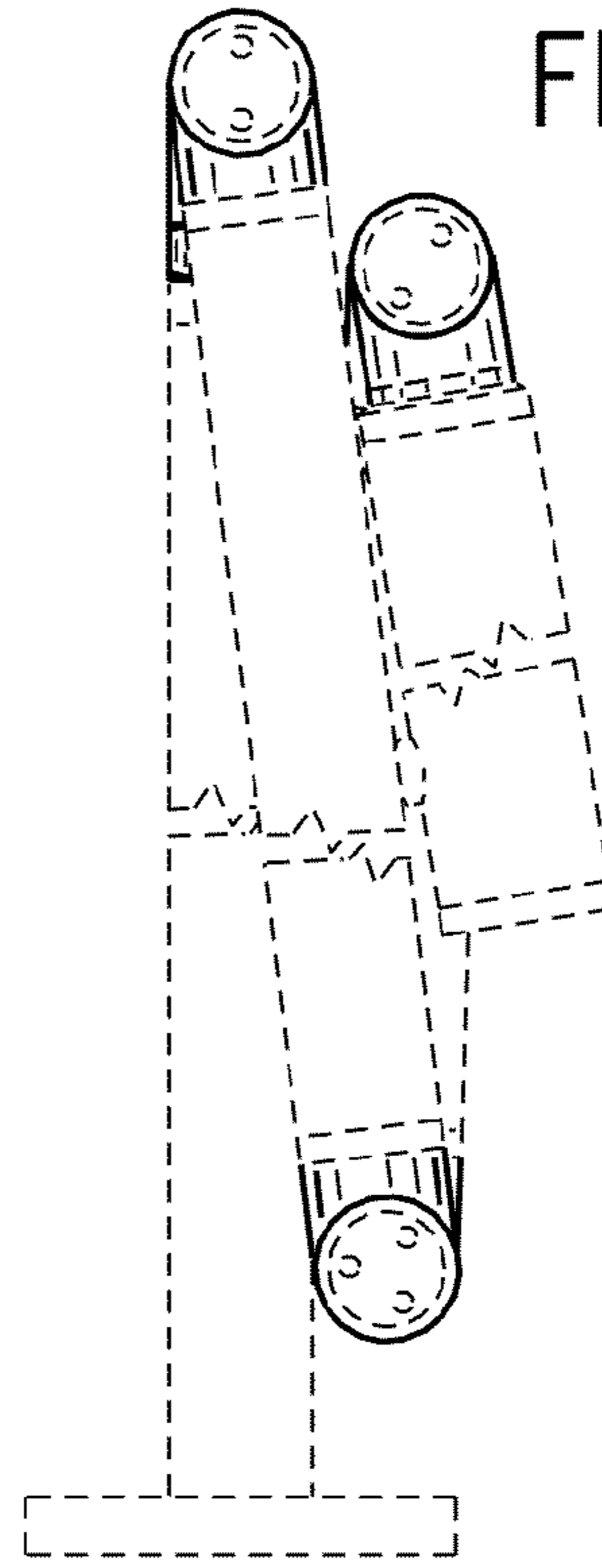


FIG. 14

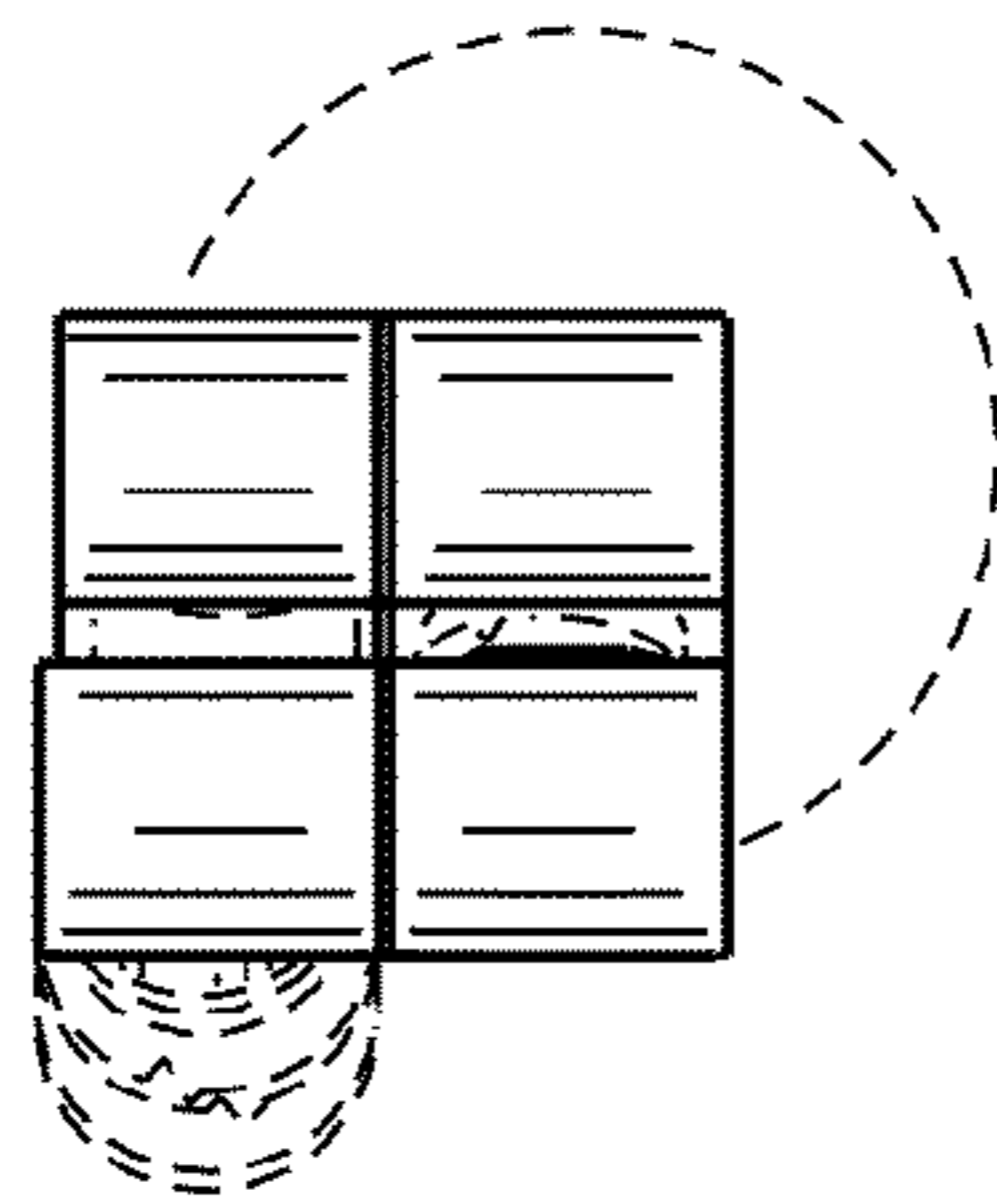


FIG. 15

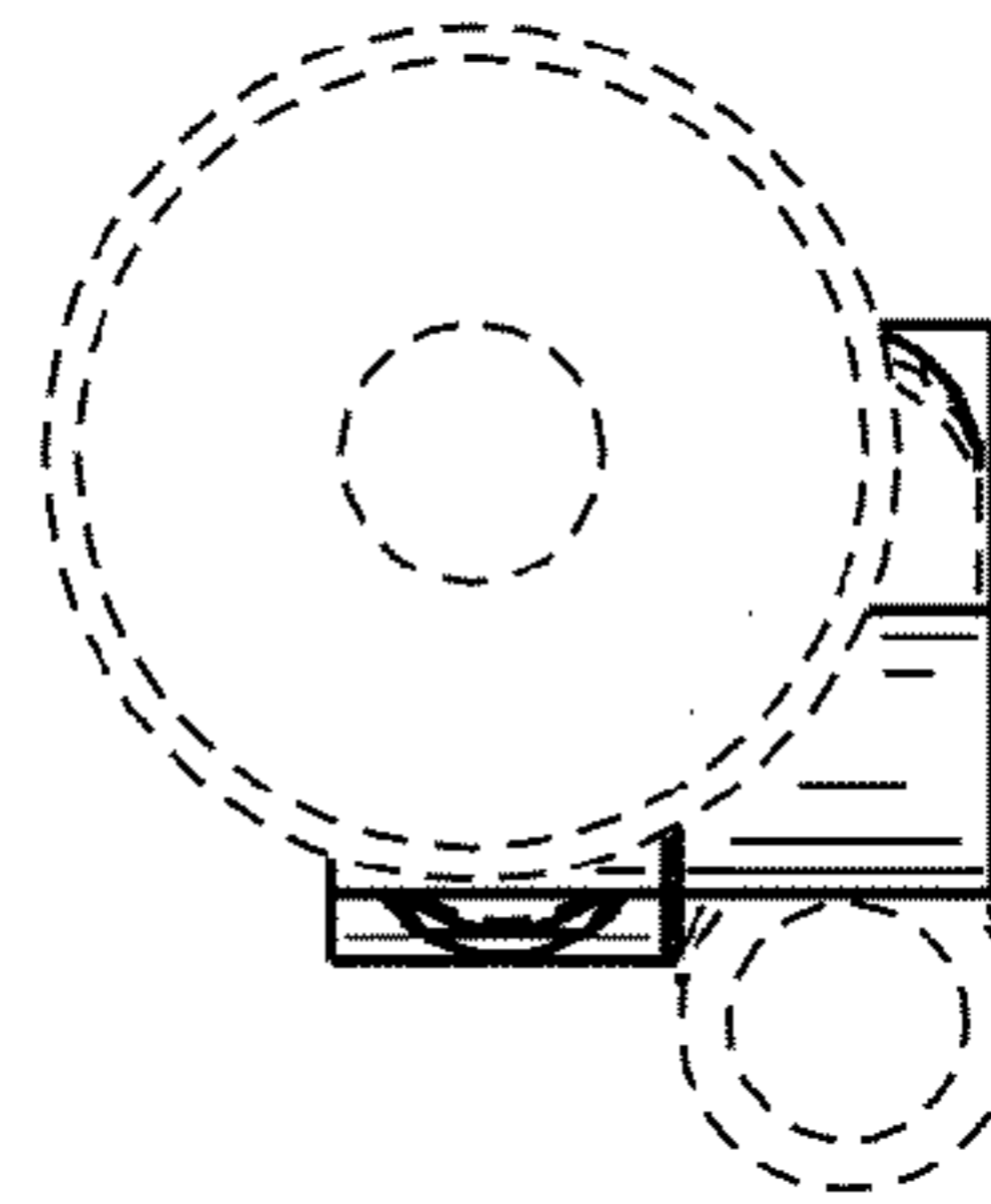


FIG. 16

