



US00D686705S

(12) **United States Design Patent**
Fritz

(10) **Patent No.:** **US D686,705 S**
(45) **Date of Patent:** **** Jul. 23, 2013**

(54) **FAUCET HANDLE**

(71) Applicant: **Masco Corporation of Indiana**,
Indianapolis, IN (US)

(72) Inventor: **Seth Fritz**, Carmel, IN (US)

(73) Assignee: **Masco Corporation of Indiana**,
Indianapolis, IN (US)

(**) Term: **14 Years**

(21) Appl. No.: **29/444,749**

(22) Filed: **Feb. 4, 2013**

(51) **LOC (9) Cl.** **23-01**

(52) **U.S. Cl.**
USPC **D23/252**

(58) **Field of Classification Search**
USPC D23/238-243, 250, 252; 4/675-678;
137/801

See application file for complete search history.

(56) **References Cited**

U.S. PATENT DOCUMENTS

D523,121 S *	6/2006	Schaffeld et al.	D23/252
D550,330 S *	9/2007	Mullenmeister	D23/238
D610,653 S *	2/2010	Schoenherr et al.	D23/238
D674,882 S *	1/2013	Kwok	D23/252

* cited by examiner

Primary Examiner — Robert Delehanty

(74) *Attorney, Agent, or Firm* — Edgar A. Zarins; Nirav D. Parikh

(57) **CLAIM**

The ornamental design for a faucet handle, as shown and described.

DESCRIPTION

FIG. 1 is a perspective view of a faucet handle showing my new design;

FIG. 2 is a rear perspective view thereof;

FIG. 3 is a front side view thereof;

FIG. 4 is a right side view thereof;

FIG. 5 is a rear view thereof;

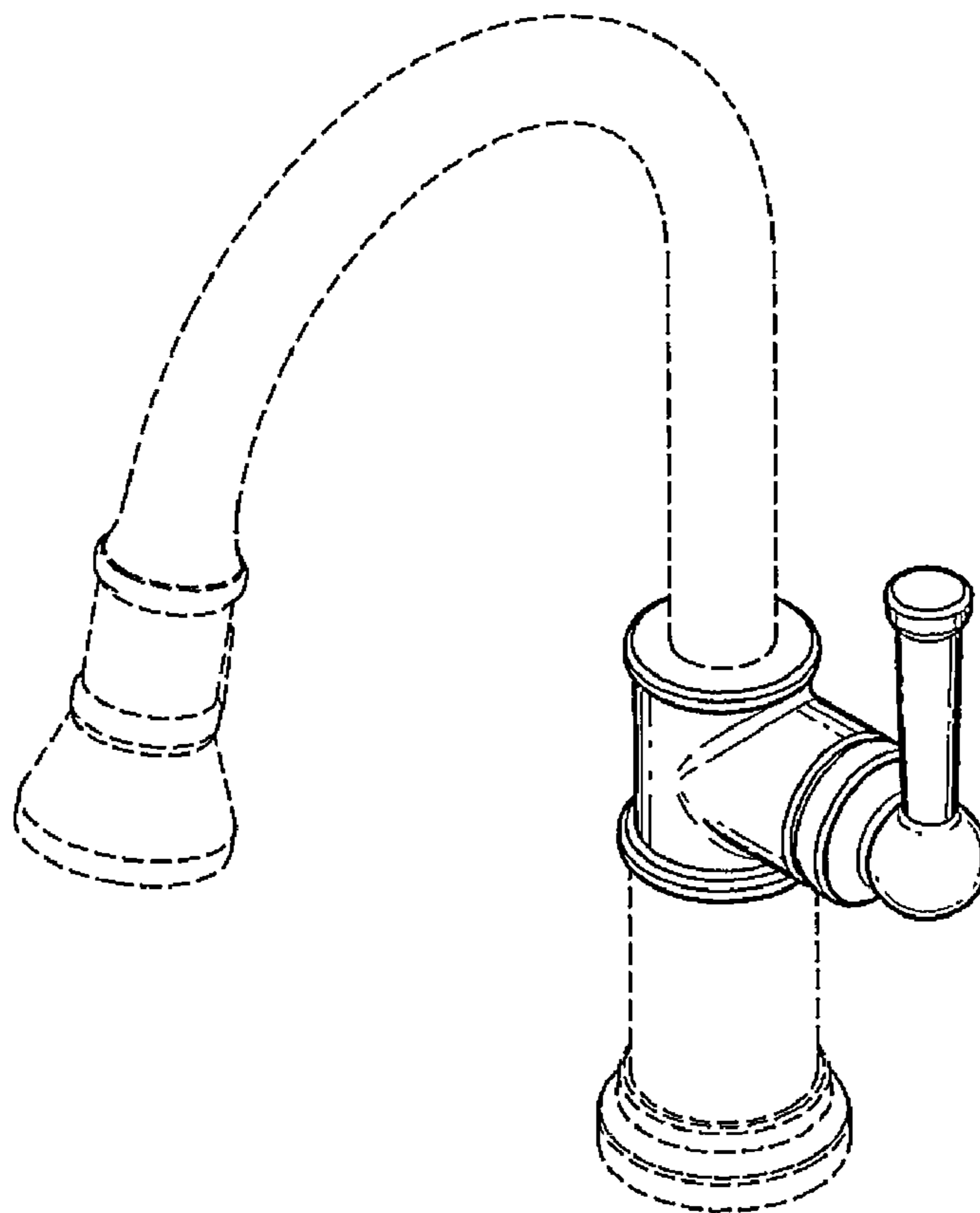
FIG. 6 is a left side view thereof;

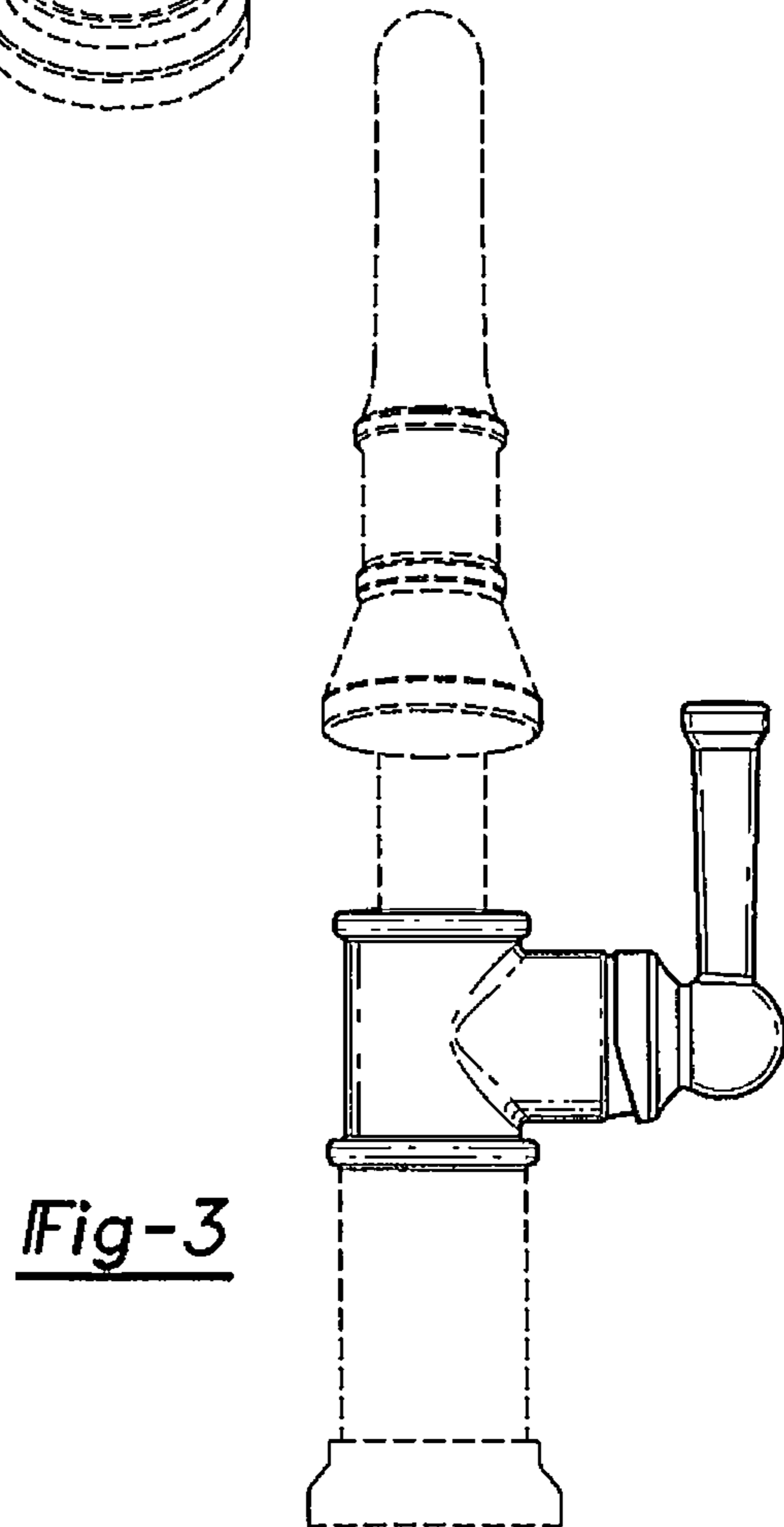
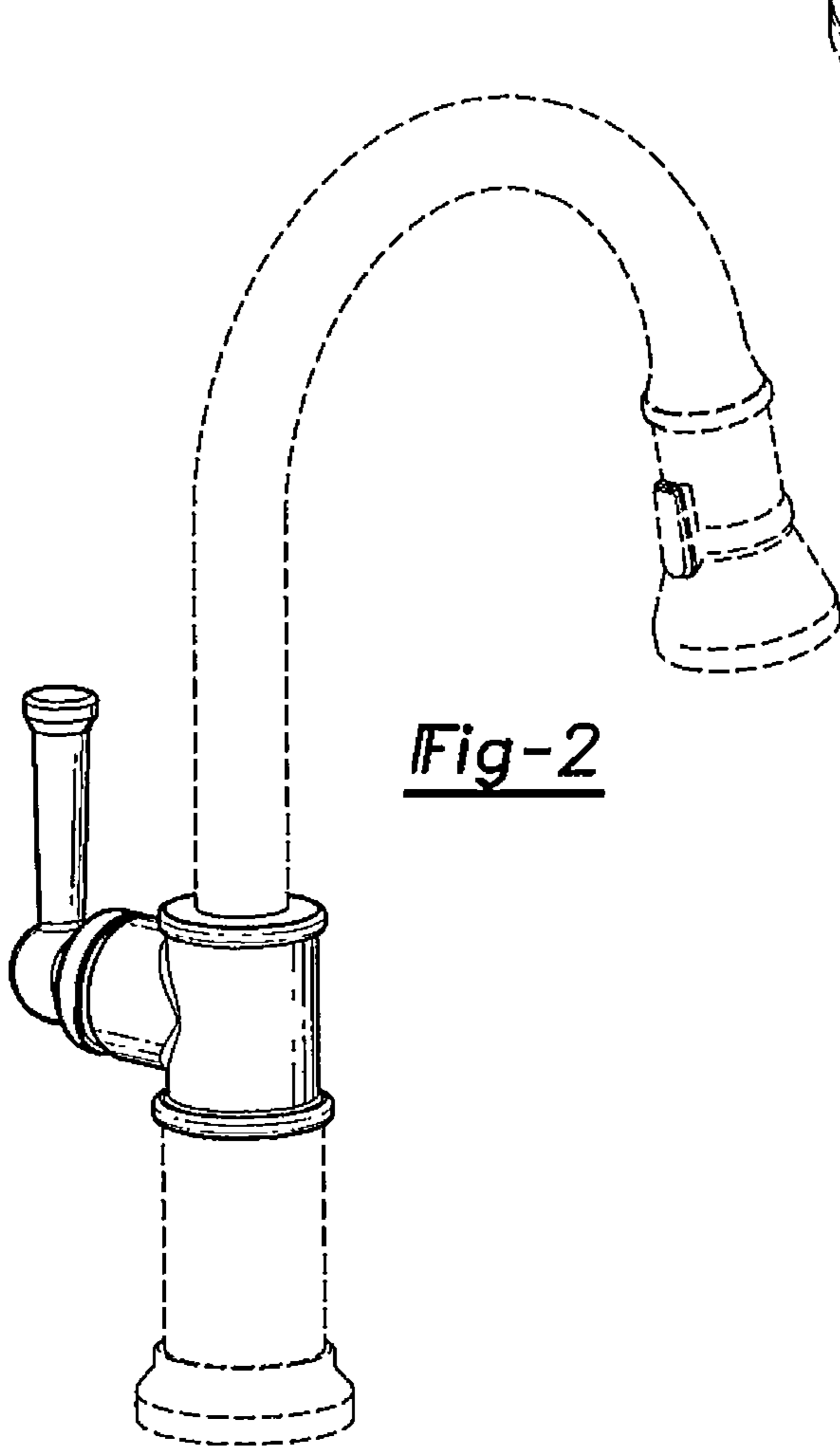
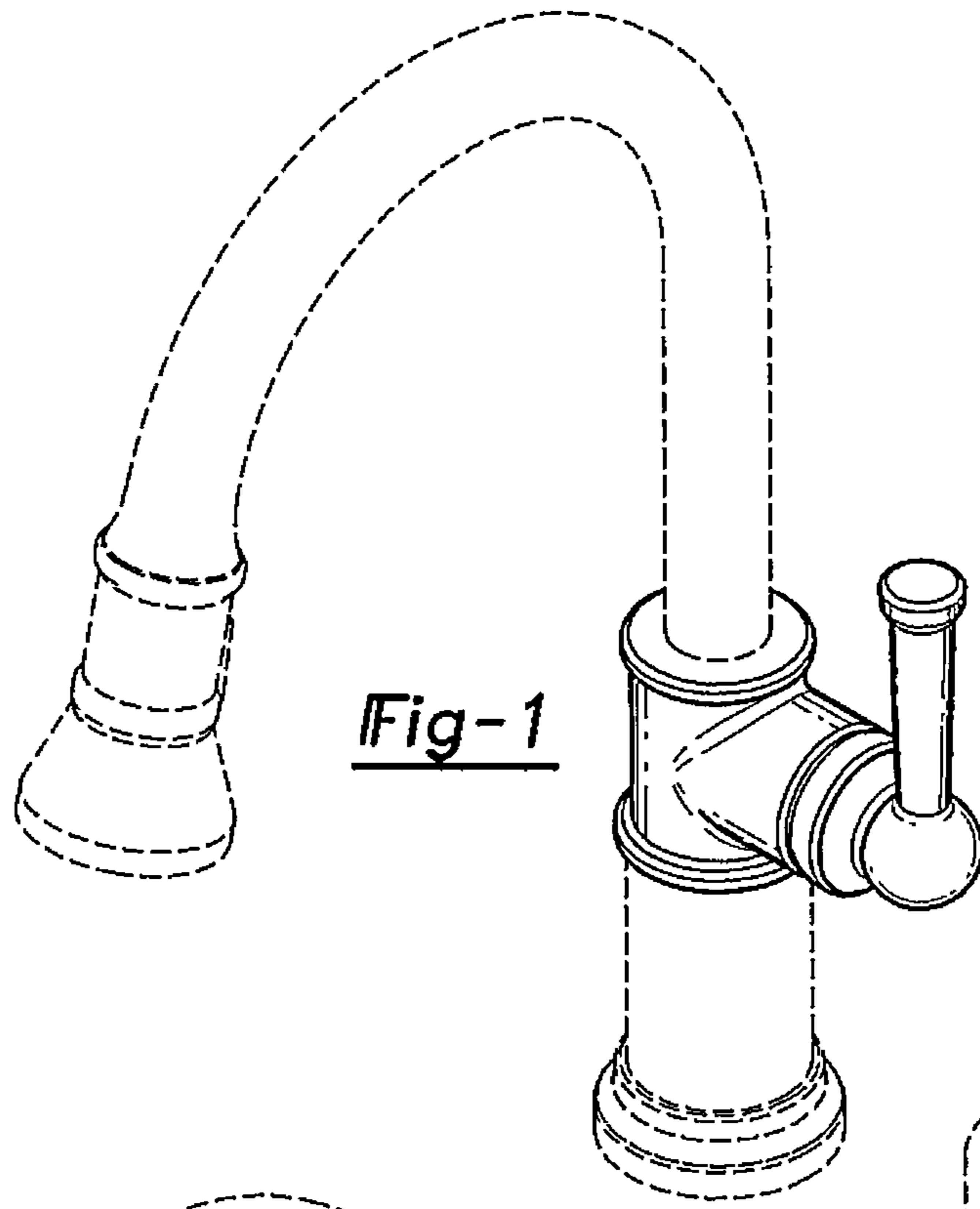
FIG. 7 is a top plan view thereof; and,

FIG. 8 is a bottom plan view thereof.

The broken lines showing portions of a faucet are included for illustrative purposes only and form no part of the claimed design.

1 Claim, 3 Drawing Sheets





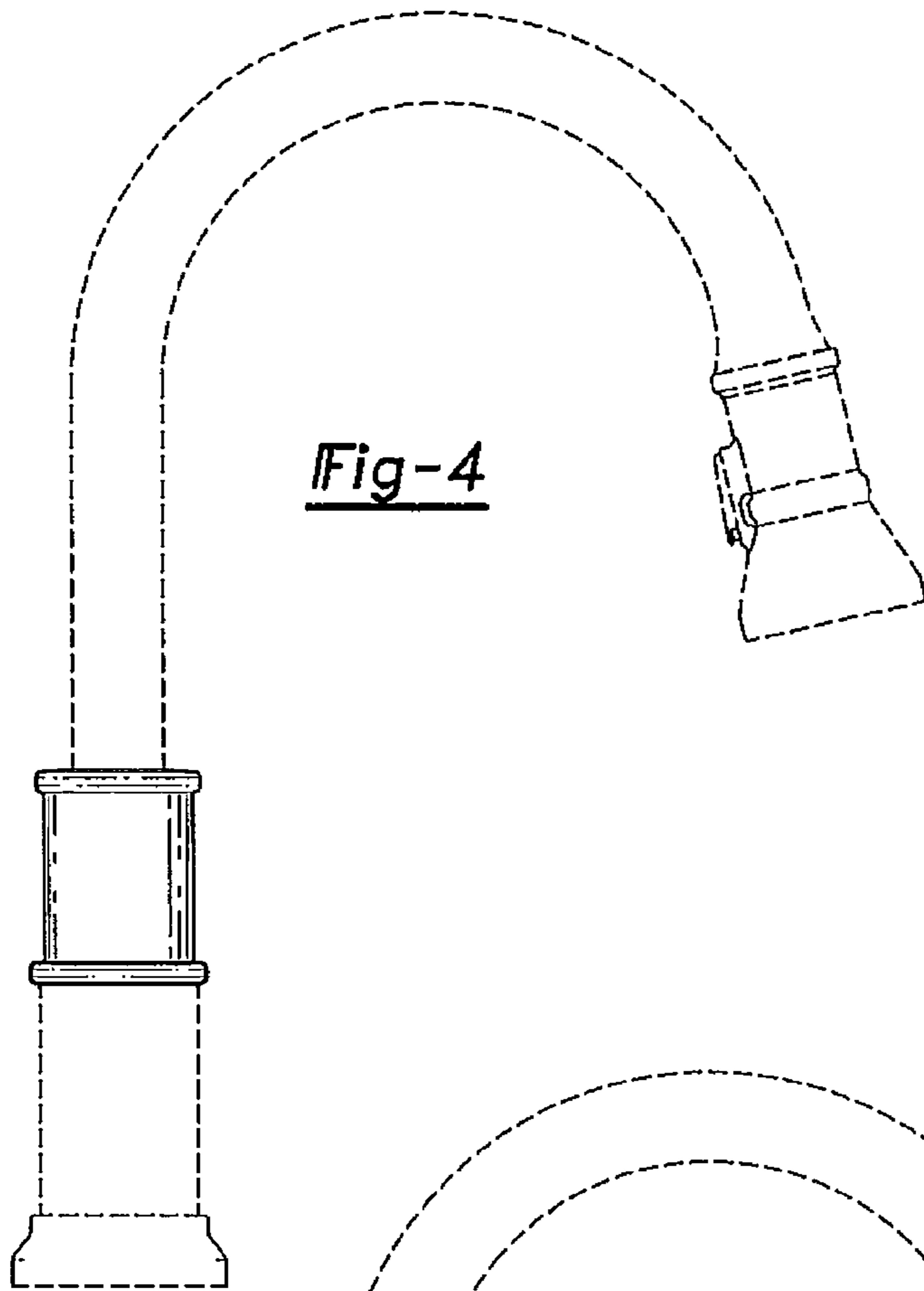


Fig-4

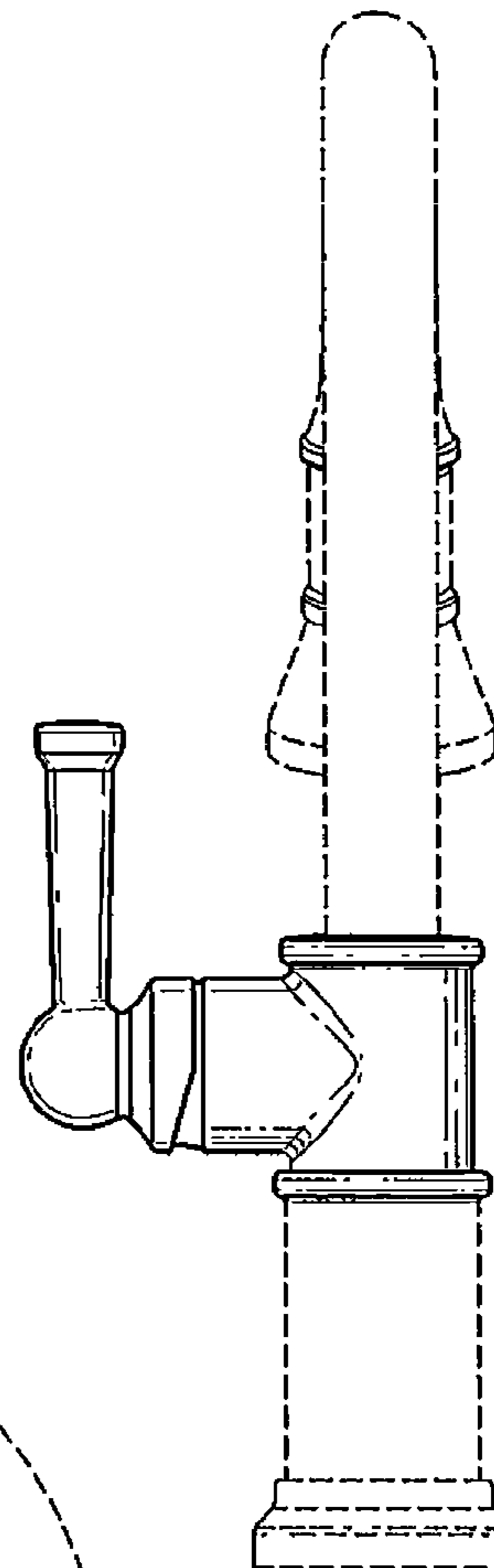


Fig-5

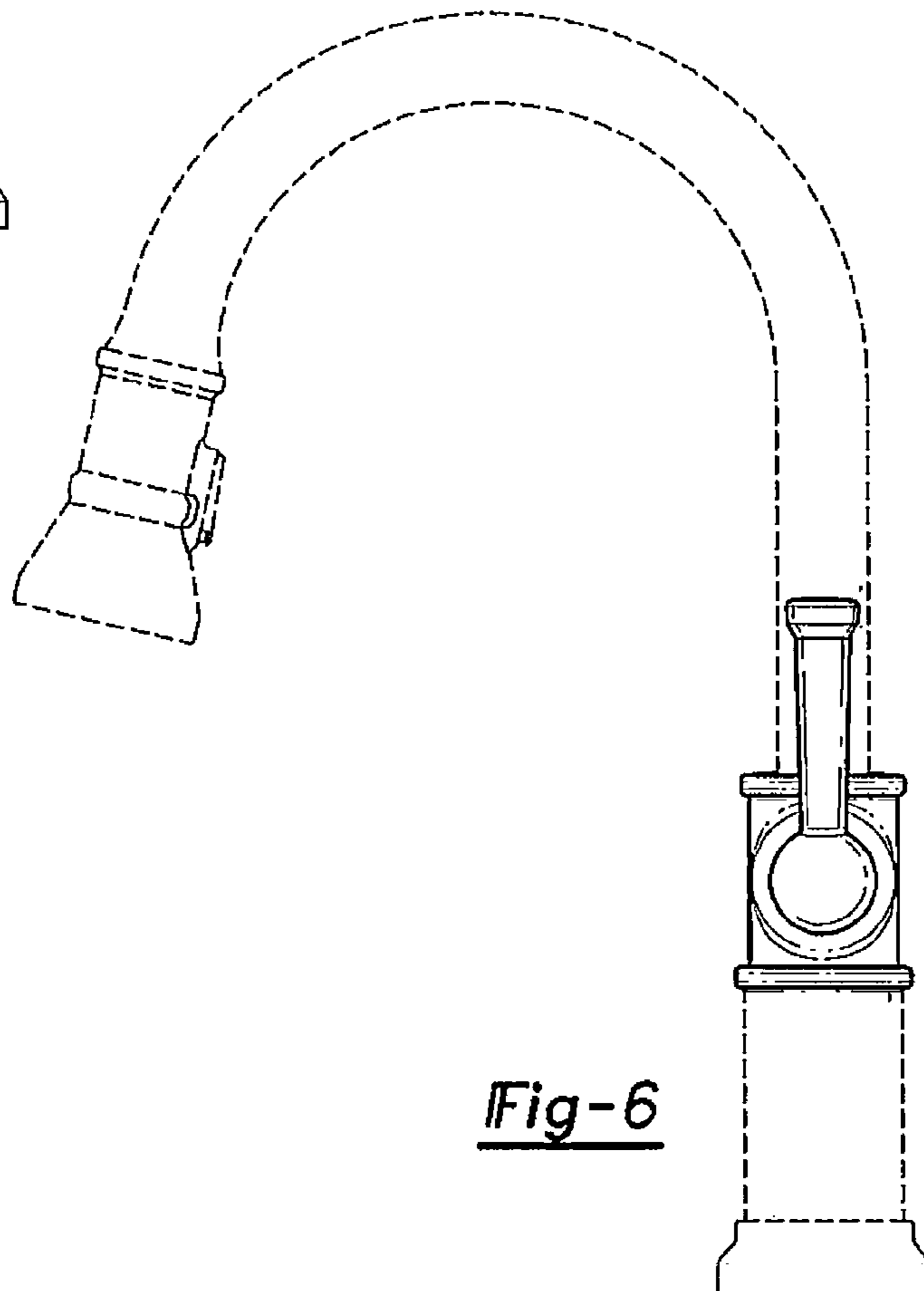


Fig-6

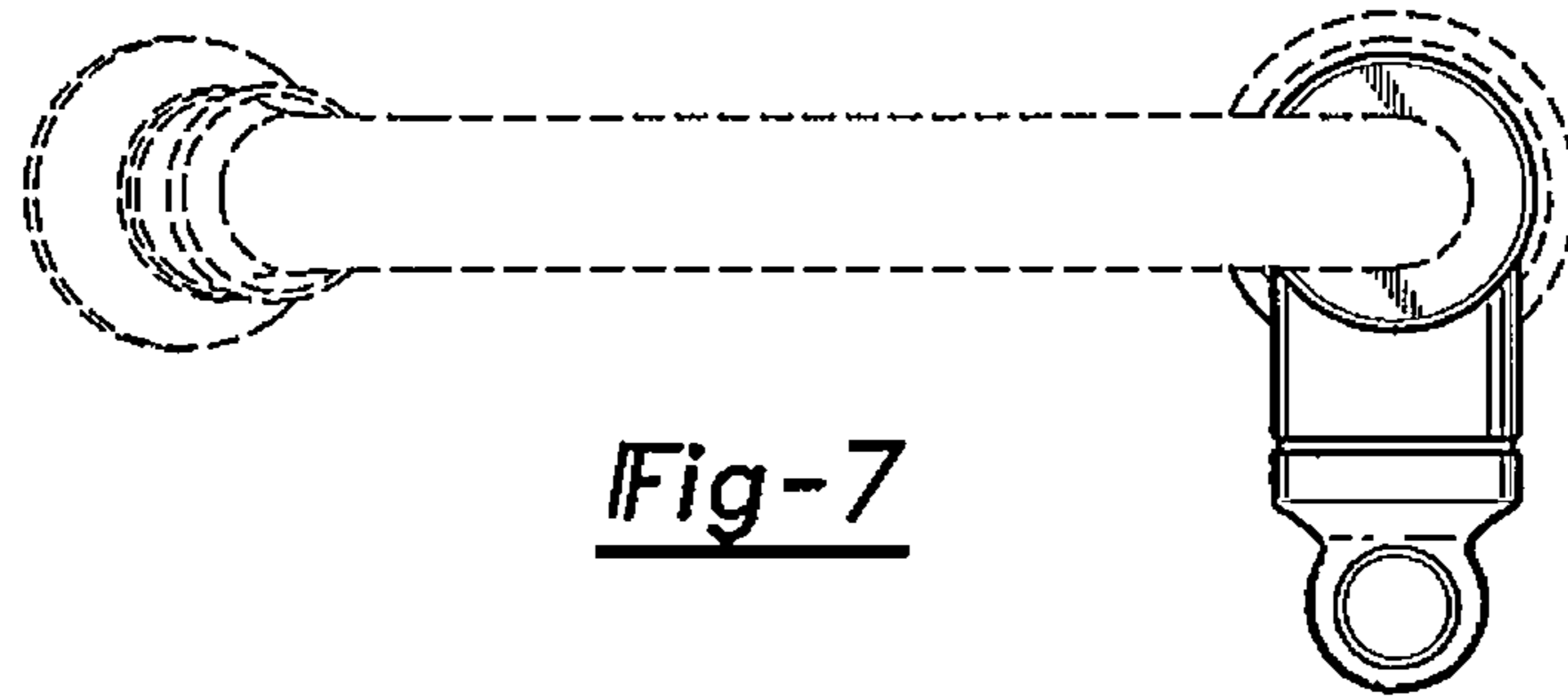


Fig-7

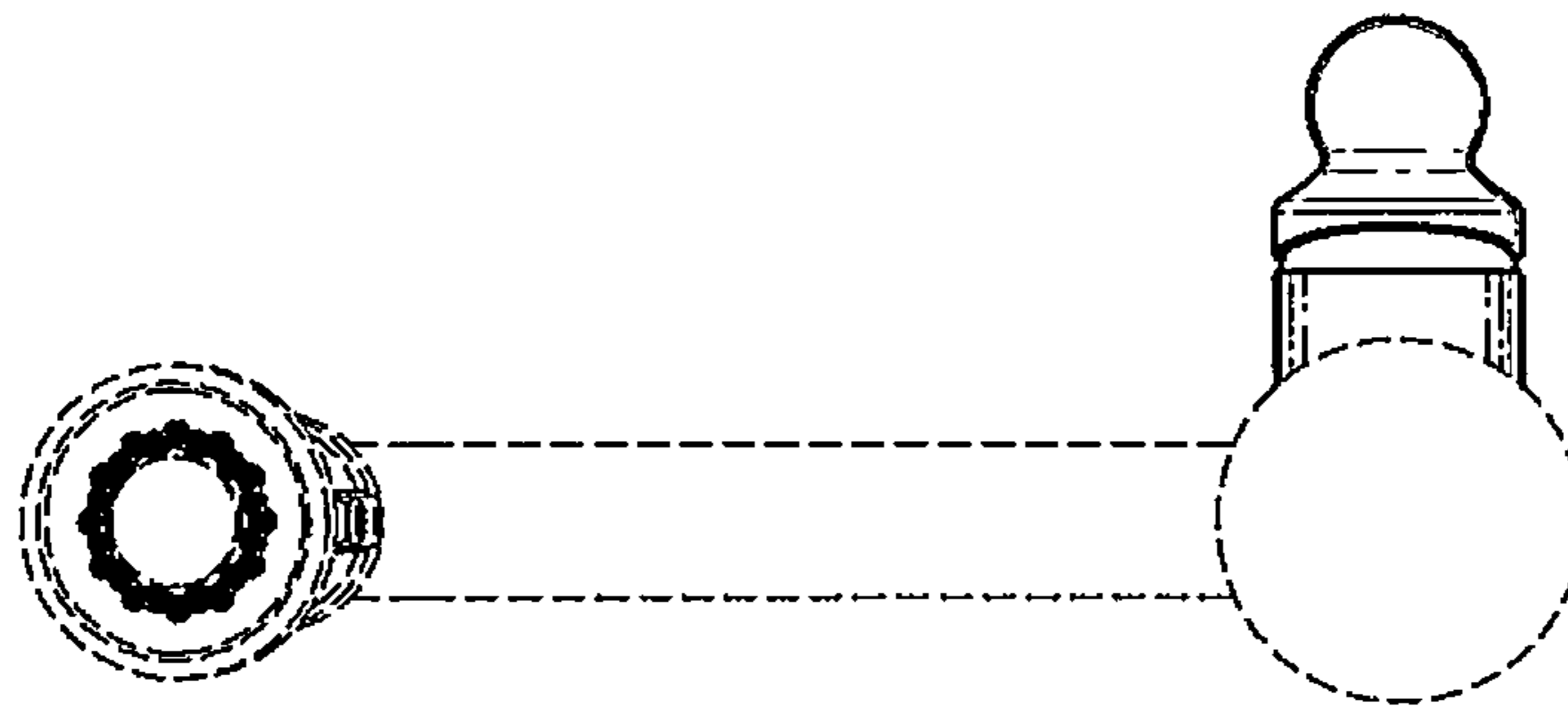


Fig-8