



US00D686698S

(12) **United States Design Patent**
Iwata et al.

(10) **Patent No.:** **US D686,698 S**
(45) **Date of Patent:** **** Jul. 23, 2013**

(54) **OPEN/CLOSE VALVE**

D632,362 S * 2/2011 Ito et al. D23/233
D671,194 S * 11/2012 Ikenoya et al. D23/245
D671,621 S * 11/2012 Ikenoya et al. D23/245

(75) Inventors: **Hiroki Iwata**, Komaki (JP); **Akina Imamura**, Kasugai (JP); **Hiroyuki Murase**, Konan (JP); **Hideyuki Takeda**, Kasugai (JP); **Shinji Ikenoya**, Tajimi (JP)

FOREIGN PATENT DOCUMENTS

JP S-D1001746 1/1998
JP S-D1211498 7/2004
JP S-D1237487 4/2005
JP S-D1325703 3/2008
JP S-D1337655 8/2008
JP S-D1417993 7/2011
JP S-D1419217 7/2011

(73) Assignee: **CKD Corporation**, Komaki-Shi (JP)

(**) Term: **14 Years**

* cited by examiner

(21) Appl. No.: **29/412,276**

Primary Examiner — Cynthia Ramirez

(22) Filed: **Feb. 1, 2012**

(74) *Attorney, Agent, or Firm* — Oliff & Berridge, PLC

(30) **Foreign Application Priority Data**

(57) **CLAIM**

The ornamental design for an open/close valve, as shown and described.

Jan. 26, 2012 (JP) 2012-001436

DESCRIPTION

(51) **LOC (9) Cl.** **23-01**

FIG. 1 is a perspective view of an open/close valve;

(52) **U.S. Cl.**

FIG. 2 is a front view thereof;

USPC **D23/233**; D23/245

FIG. 3 is a top view thereof;

(58) **Field of Classification Search**

USPC D23/233–237, 244–249; 251/309, 251/368, 62, 63, 63.5, 129.1, 129.16, 129.18; 137/547, 549, 377, 625.4, 625.41, 625.42, 137/625.46, 625.64, 625.65

FIG. 4 is a right-side view thereof;

FIG. 5 is a left-side view thereof;

FIG. 6 is a rear view thereof;

FIG. 7 is a bottom view thereof; and,

FIG. 8 is a cross-sectional view thereof taken along lines 8-8 in FIG. 5.

See application file for complete search history.

The dot-chain lines illustrate a boundary between claimed and unclaimed portions and form no part of the claimed design.

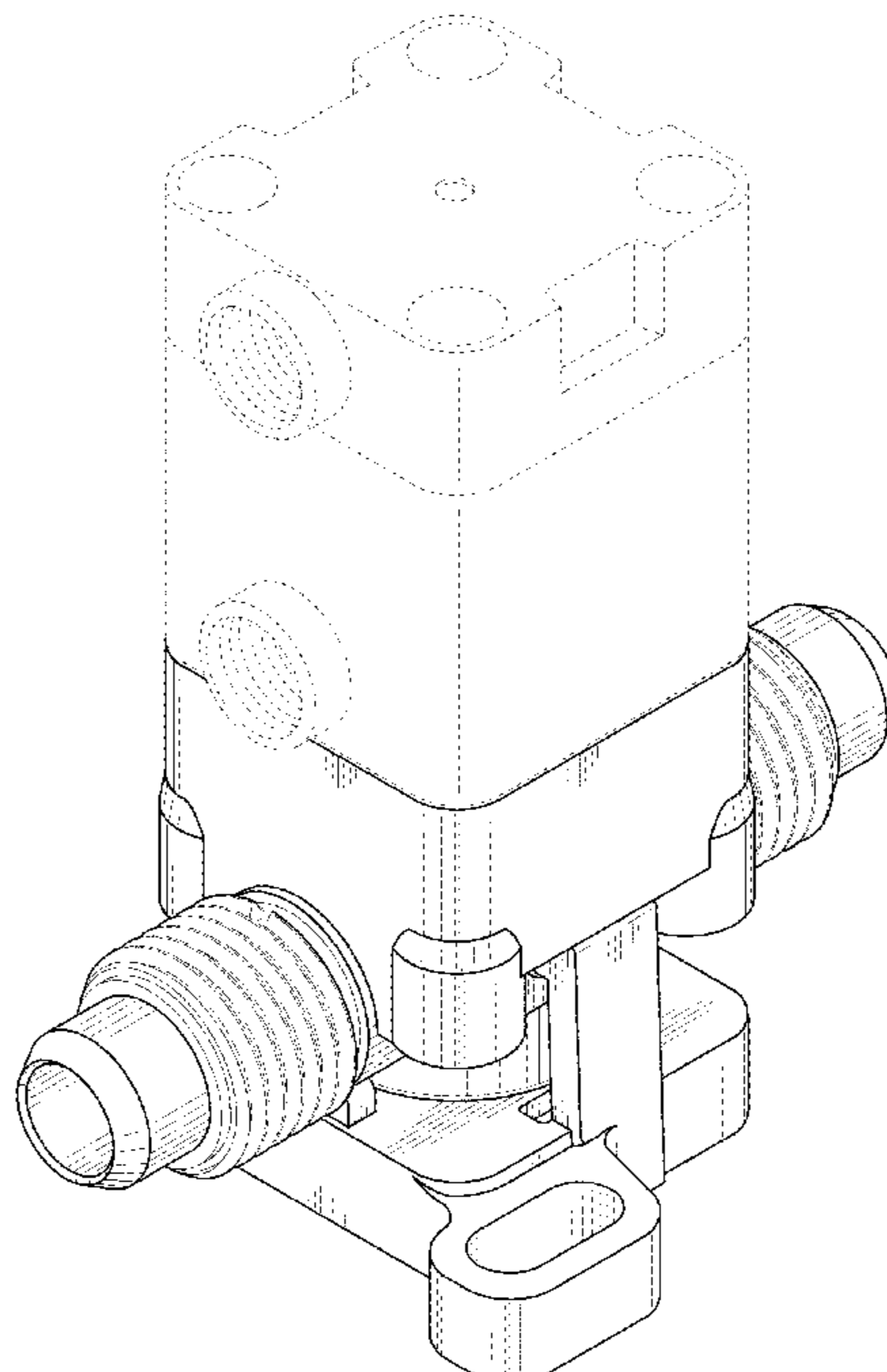
(56) **References Cited**

U.S. PATENT DOCUMENTS

D416,076 S * 11/1999 Okitsu D23/235
D504,715 S * 5/2005 Hagihara D23/235
D558,859 S * 1/2008 Kato et al. D23/233
D603,937 S * 11/2009 Tejamo D23/233

The broken lines depict environmental subject matter only and form no part of the claimed design.

1 Claim, 8 Drawing Sheets



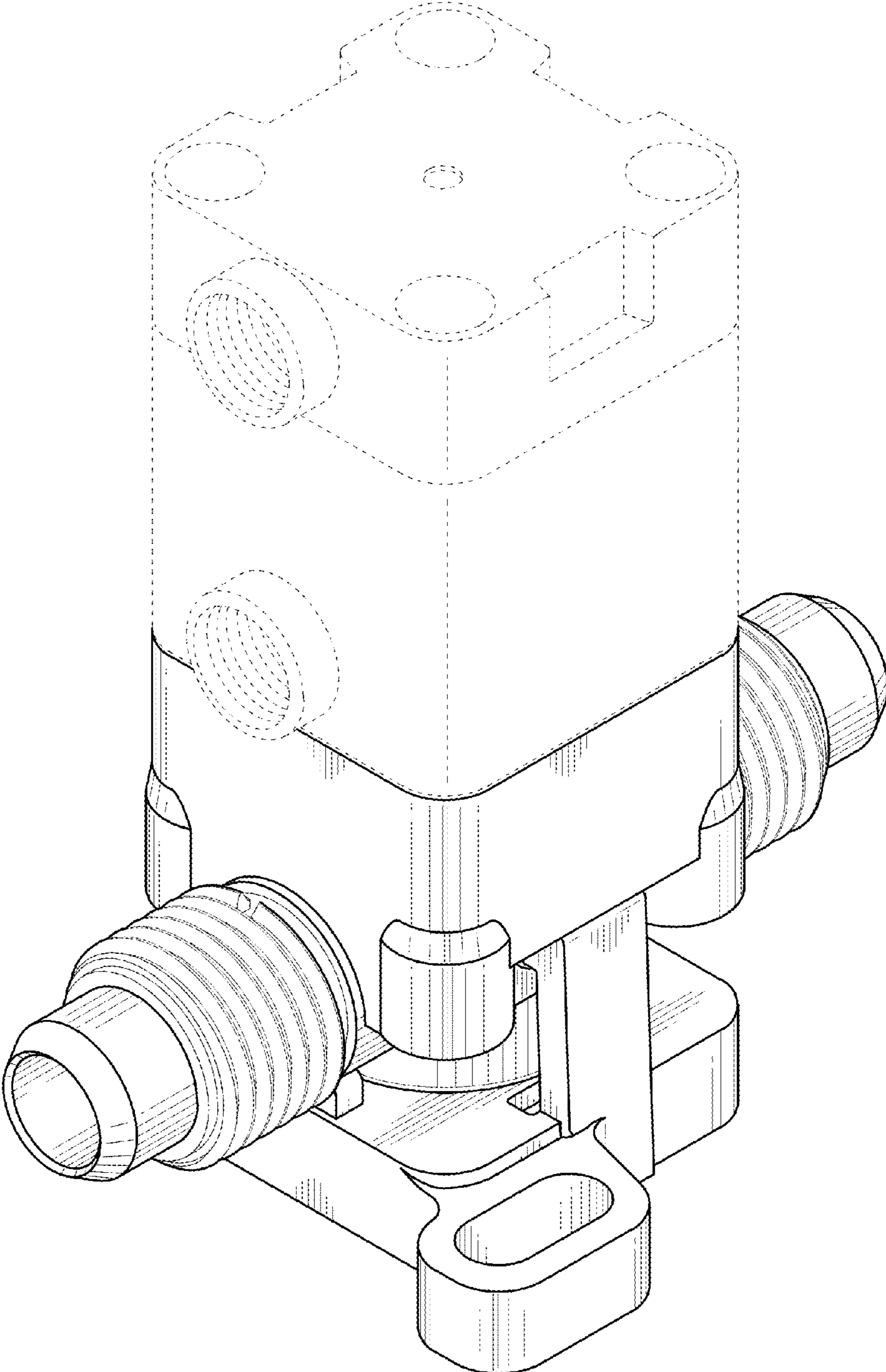


FIG. 1

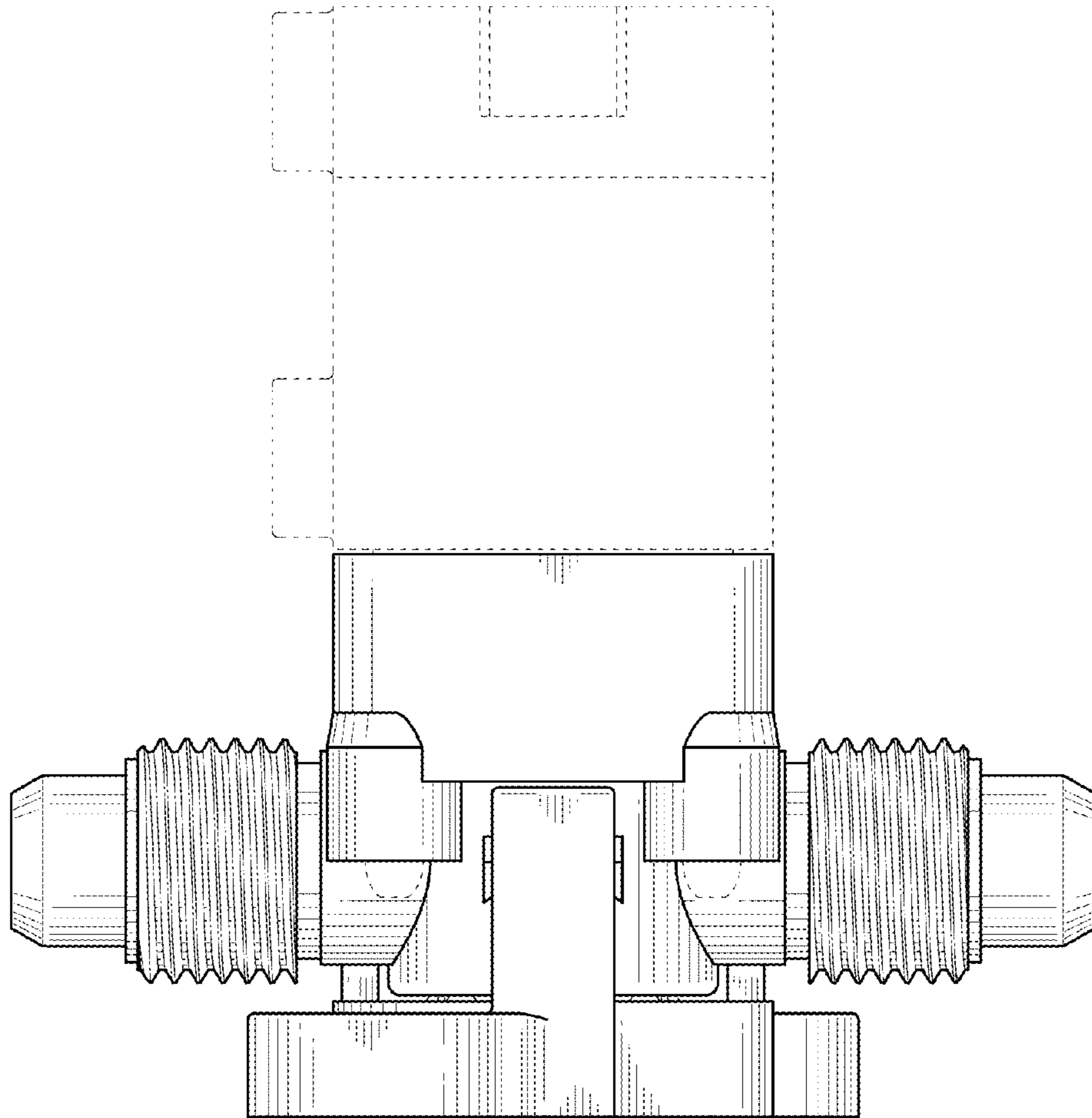


FIG. 2

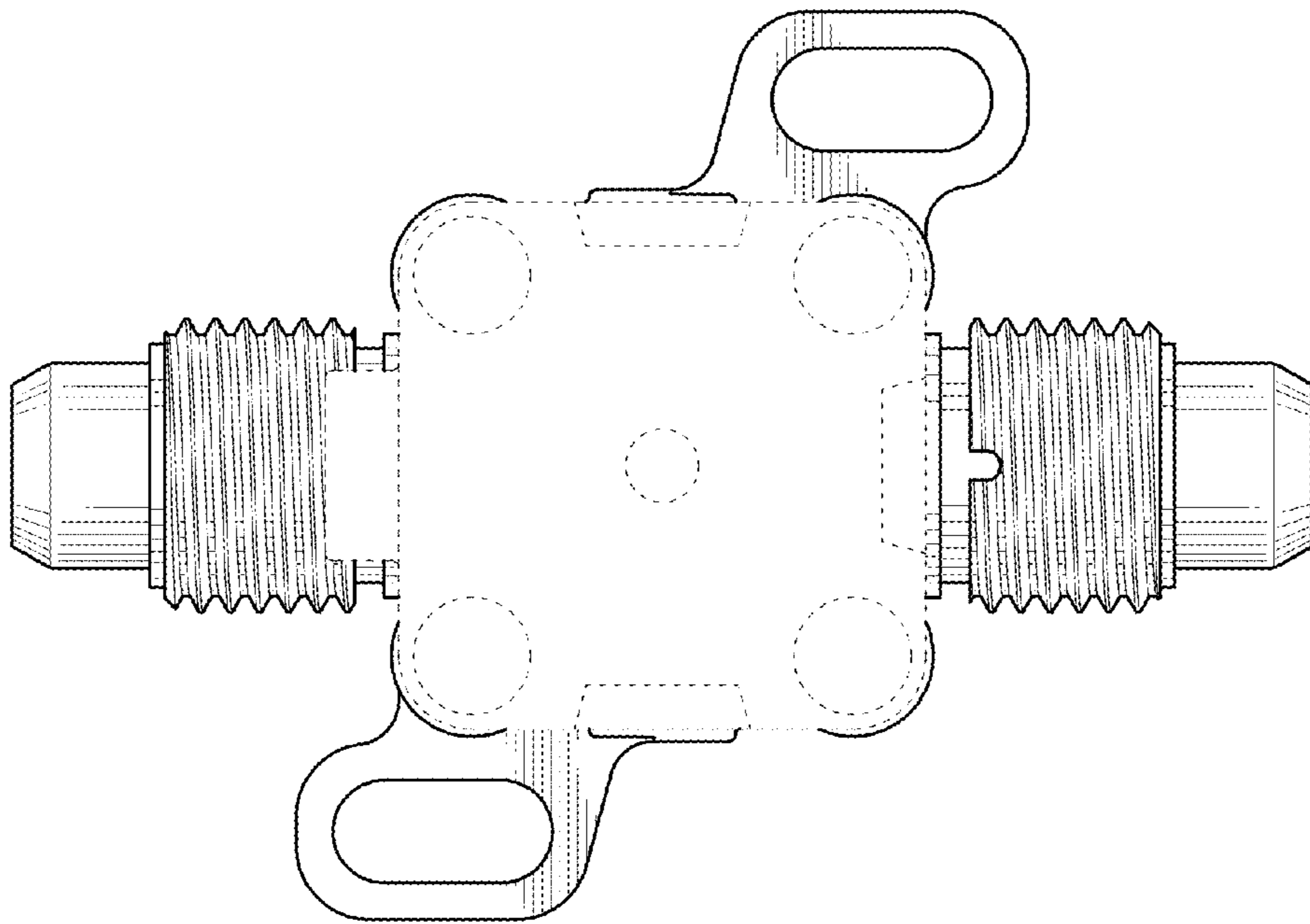


FIG. 3

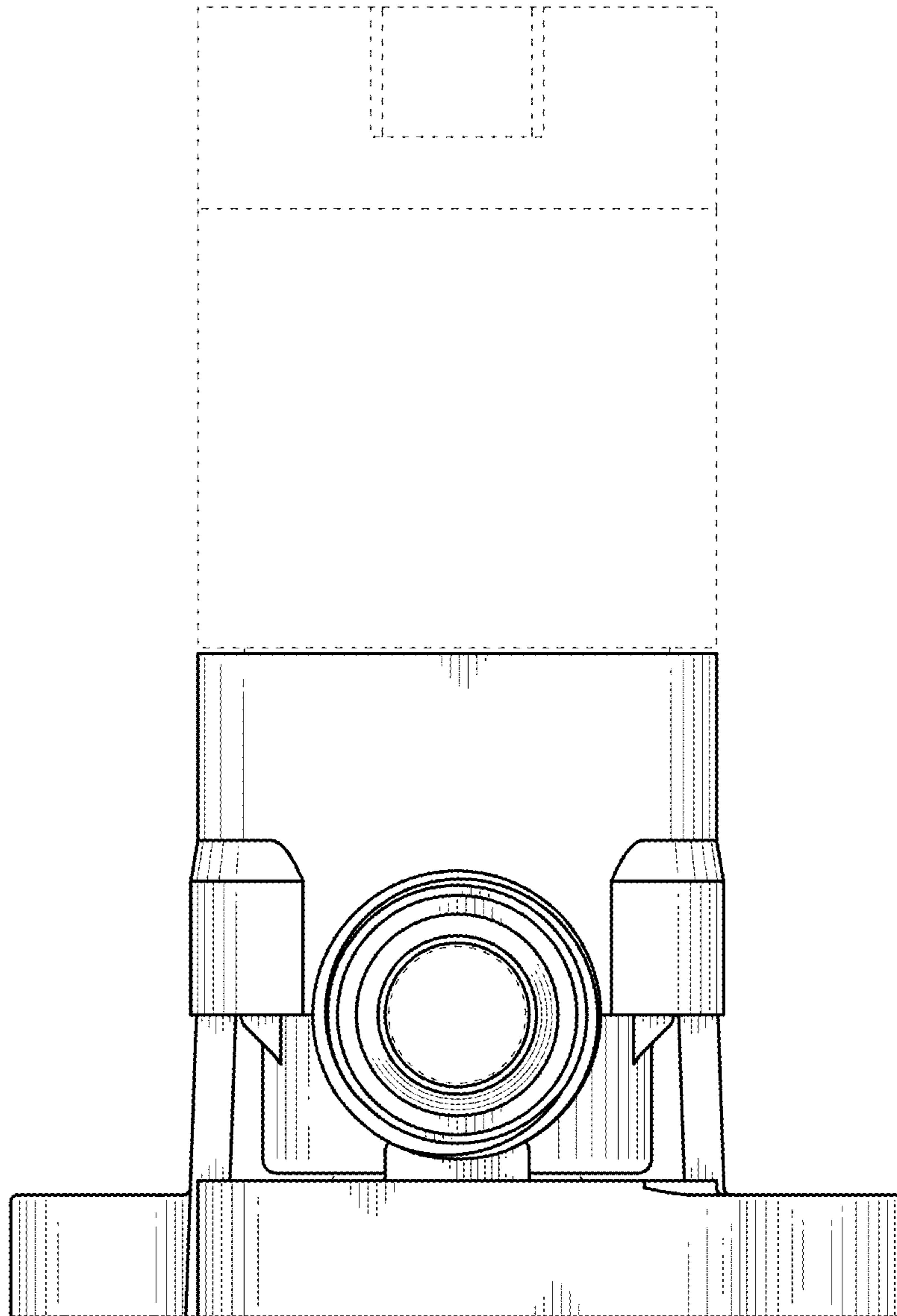


FIG. 4

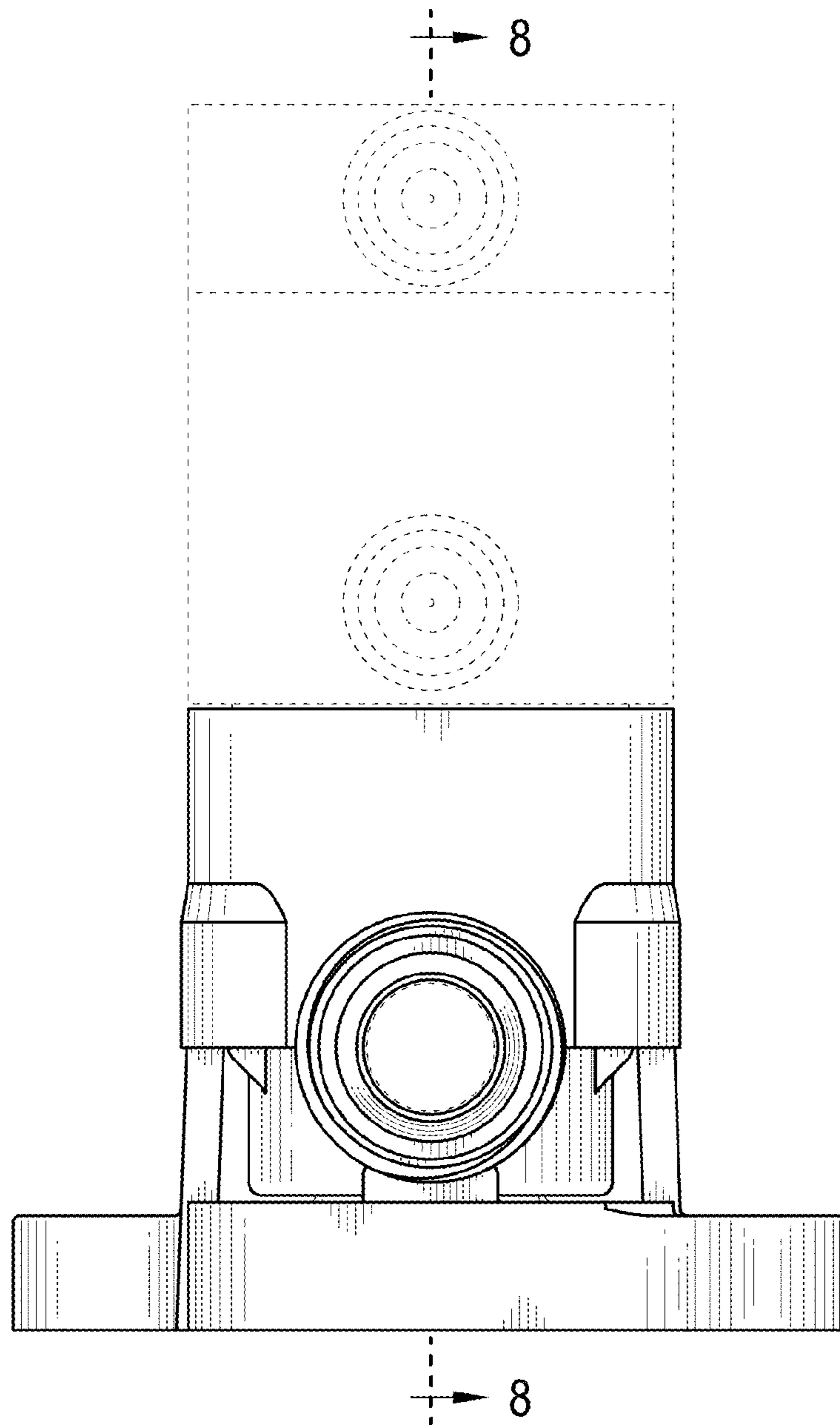


FIG. 5

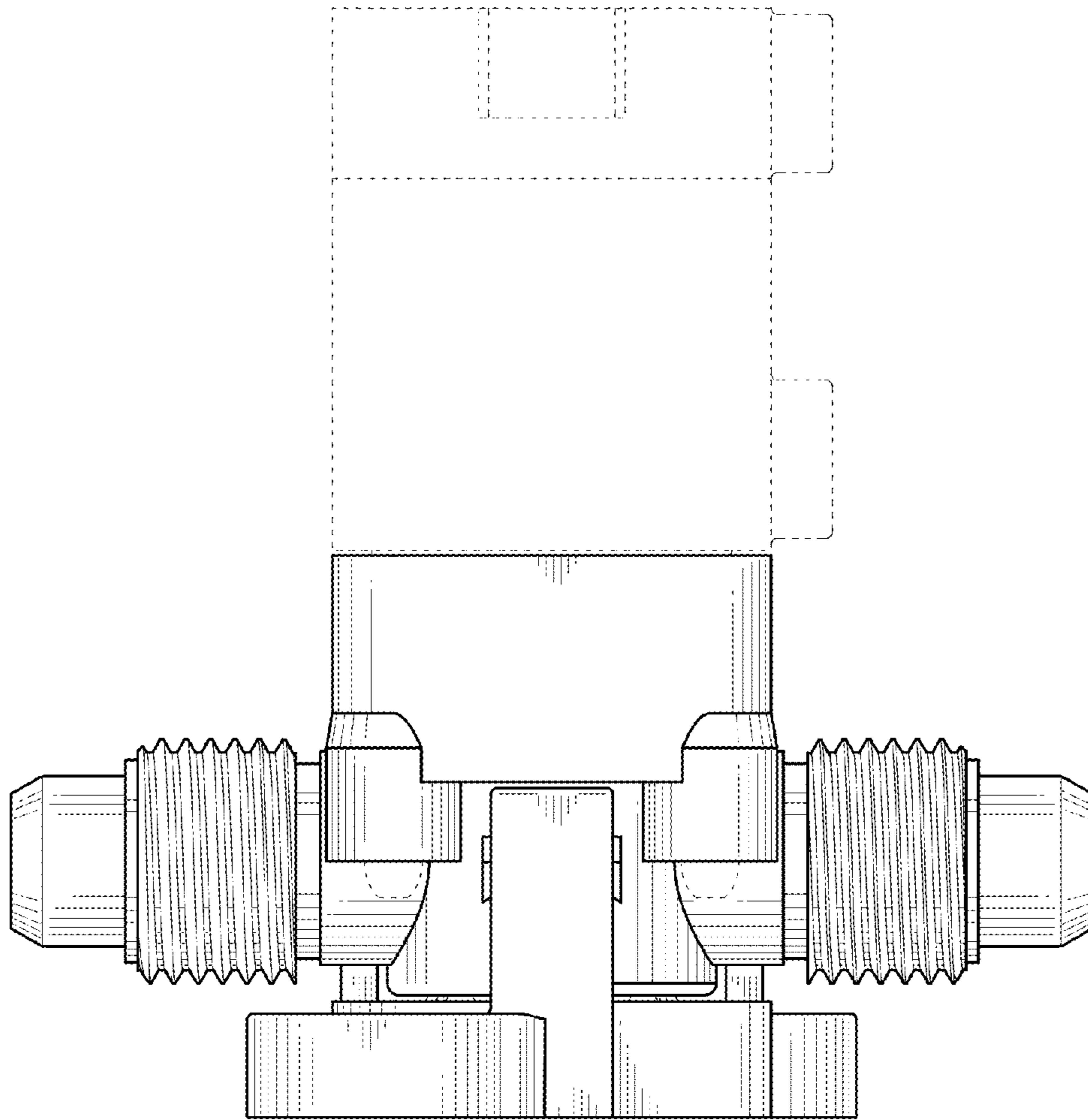


FIG. 6

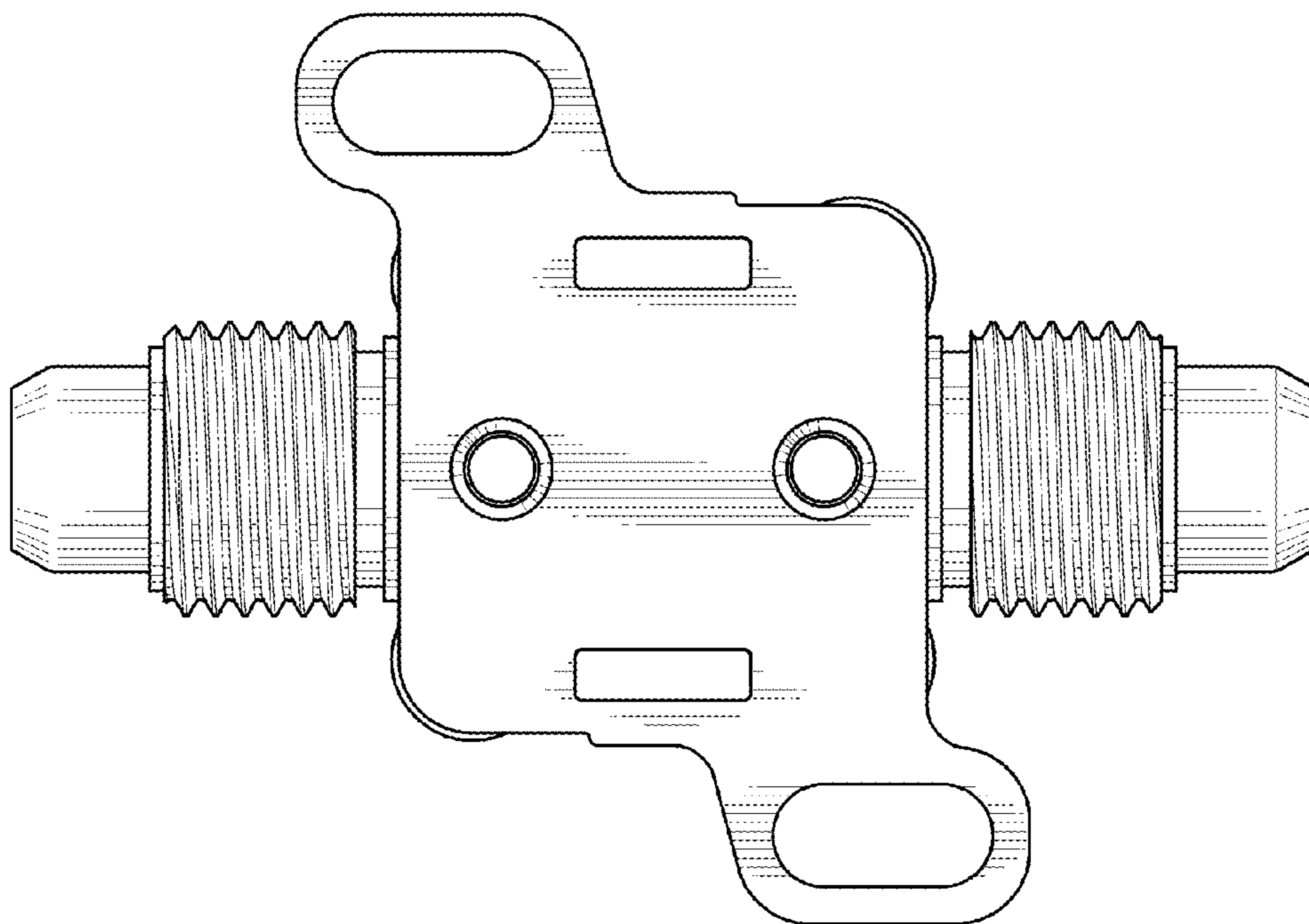


FIG. 7

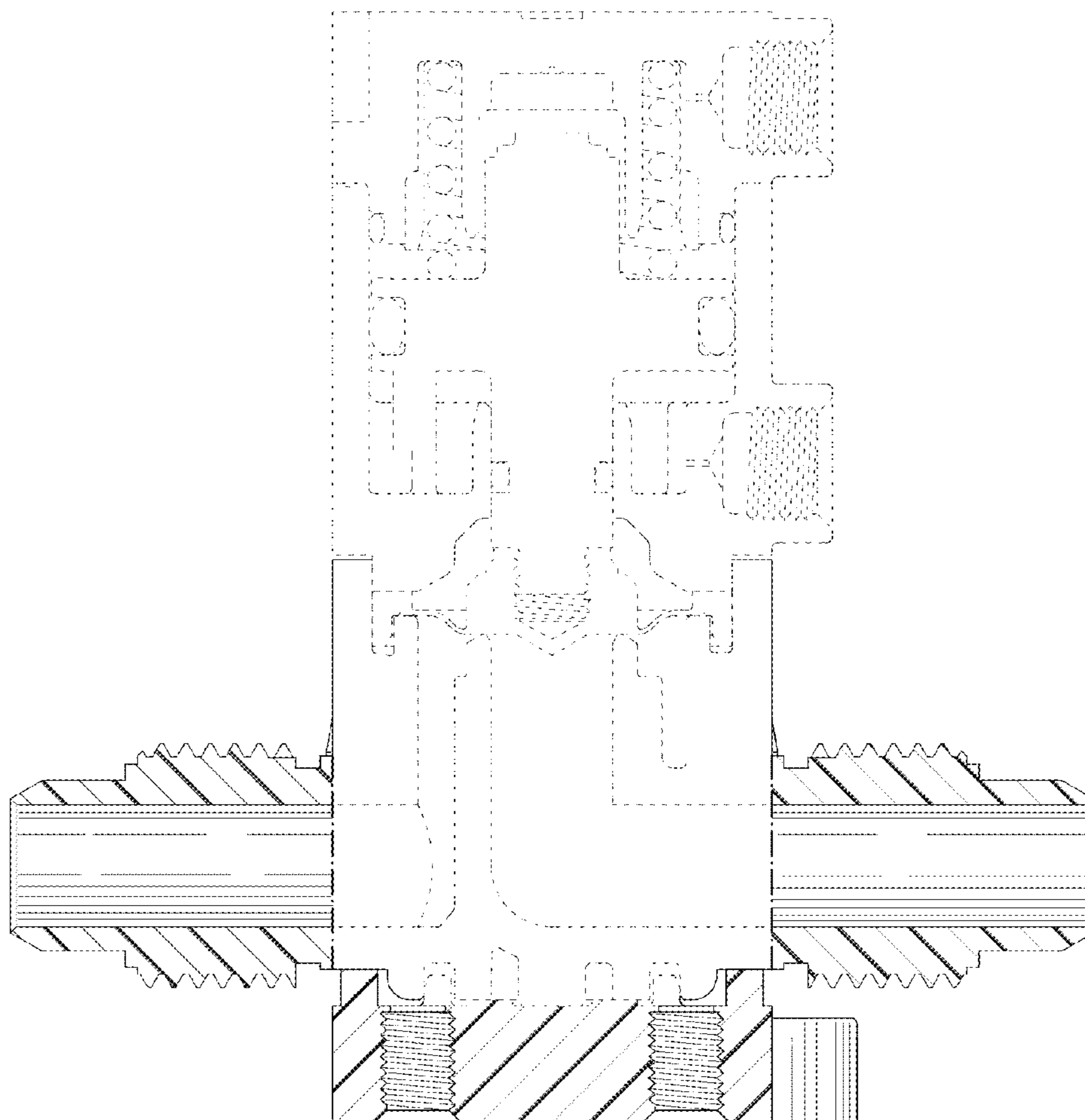


FIG. 8