



US00D686697S

(12) **United States Design Patent**  
**Murase et al.**

(10) **Patent No.:** **US D686,697 S**  
(45) **Date of Patent:** **\*\* Jul. 23, 2013**

(54) **OPEN/CLOSE VALVE**

(75) Inventors: **Hiroyuki Murase**, Konan (JP); **Akina Imamura**, Kasugai (JP); **Hideyuki Takeda**, Kasugai (JP); **Shinji Ikenoya**, Tajimi (JP)

(73) Assignee: **CKD Corporation**, Komaki-shi (JP)

(\*\*) Term: **14 Years**

(21) Appl. No.: **29/411,831**

(22) Filed: **Jan. 26, 2012**

(30) **Foreign Application Priority Data**

Jan. 10, 2012 (JP) ..... 2012-000275

(51) **LOC (9) Cl.** ..... **23-01**

(52) **U.S. Cl.**  
USPC ..... **D23/233; D23/245**

(58) **Field of Classification Search**  
USPC ..... D23/233–237, 244–249; 251/309, 251/368, 62, 63, 63.5, 129.1, 129.16, 129.18; 137/547, 549, 377, 625.4, 625.41, 625.42, 137/625.46, 625.64, 625.65  
See application file for complete search history.

(56) **References Cited**

U.S. PATENT DOCUMENTS

D416,076 S	*	11/1999	Okitsu	.....	D23/235
D504,715 S	*	5/2005	Hagihara	.....	D23/235
D558,859 S	*	1/2008	Kato et al.	.....	D23/233
D603,937 S	*	11/2009	Tejamo	.....	D23/233
D632,362 S	*	2/2011	Ito et al.	.....	D23/233
D671,194 S	*	11/2012	Ikenoya et al.	.....	D23/245
D671,621 S	*	11/2012	Ikenoya et al.	.....	D23/245

FOREIGN PATENT DOCUMENTS

JP	S-D1001746	1/1998
JP	S-D1211498	7/2004
JP	S-D1237487	4/2005
JP	S-D1325703	3/2008
JP	S-D1337655	8/2008
JP	S-D1417993	7/2011
JP	S-D1419217	7/2011

\* cited by examiner

*Primary Examiner* — Cynthia Ramirez

(74) *Attorney, Agent, or Firm* — Oliff & Berridge, PLC

(57) **CLAIM**

The ornamental design for an open/close valve, as shown and described.

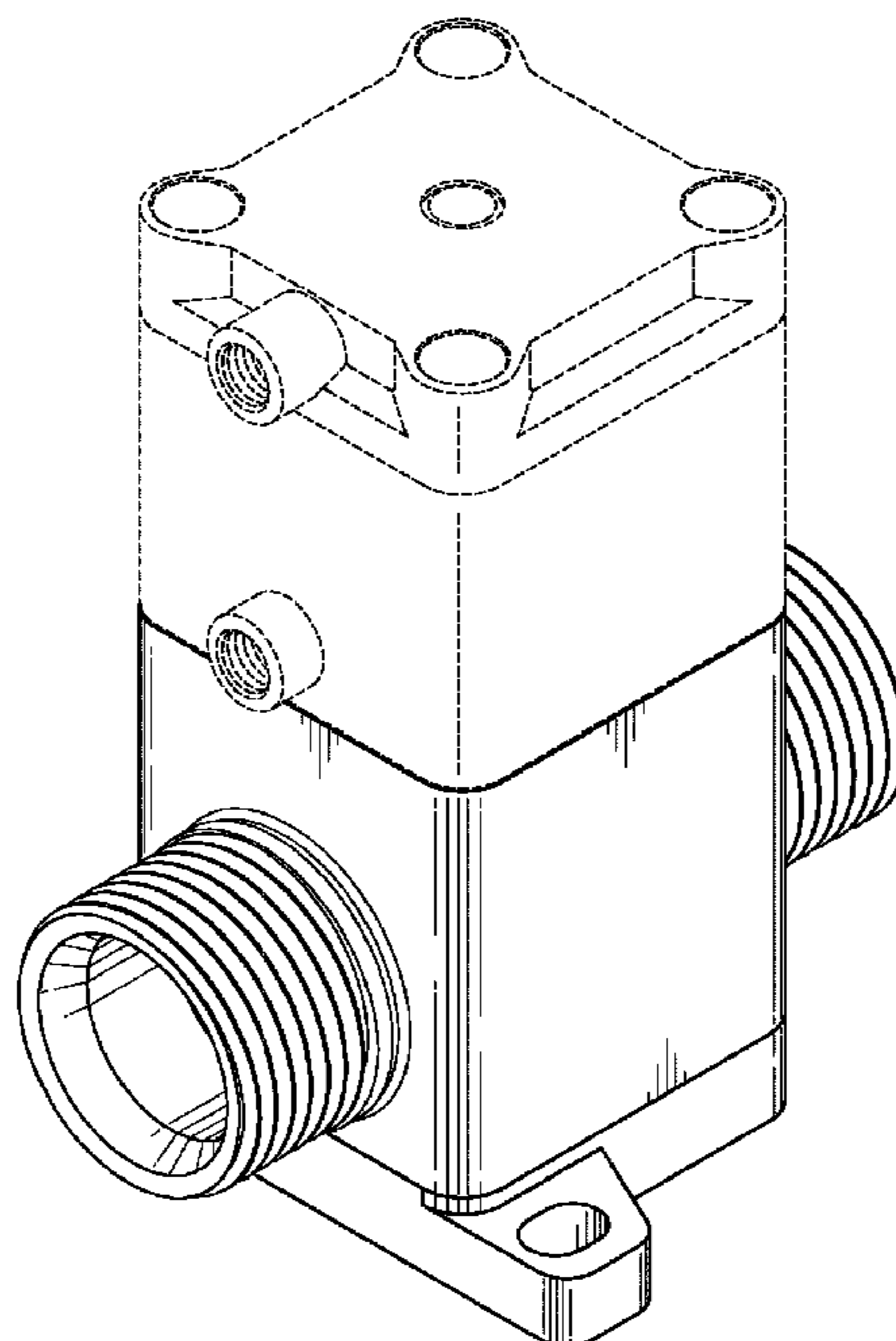
**DESCRIPTION**

FIG. 1 is a perspective view of an open/close valve; FIG. 2 is a front view thereof; FIG. 3 is a top view thereof; FIG. 4 is a right-side view thereof; FIG. 5 is a left-side view thereof; FIG. 6 is a rear view thereof; FIG. 7 is a bottom view thereof; and, FIG. 8 is a cross-sectional view thereof taken along lines 8-8 in FIG. 5.

The dot-chain lines illustrate a boundary between claimed and unclaimed portions and form no part of the claimed design.

The broken lines depict environmental subject matter only and form no part of the claimed design.

**1 Claim, 8 Drawing Sheets**



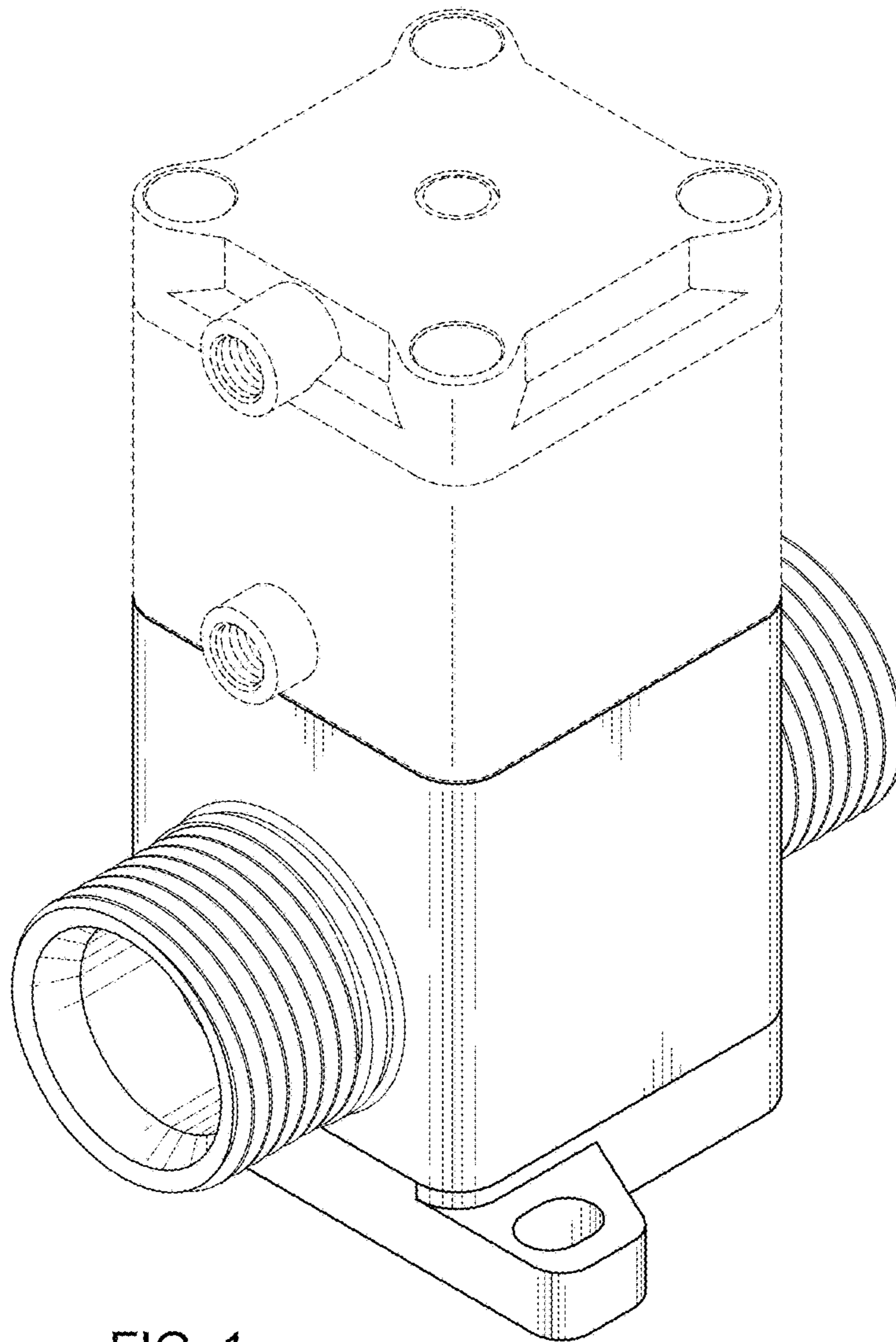


FIG. 1

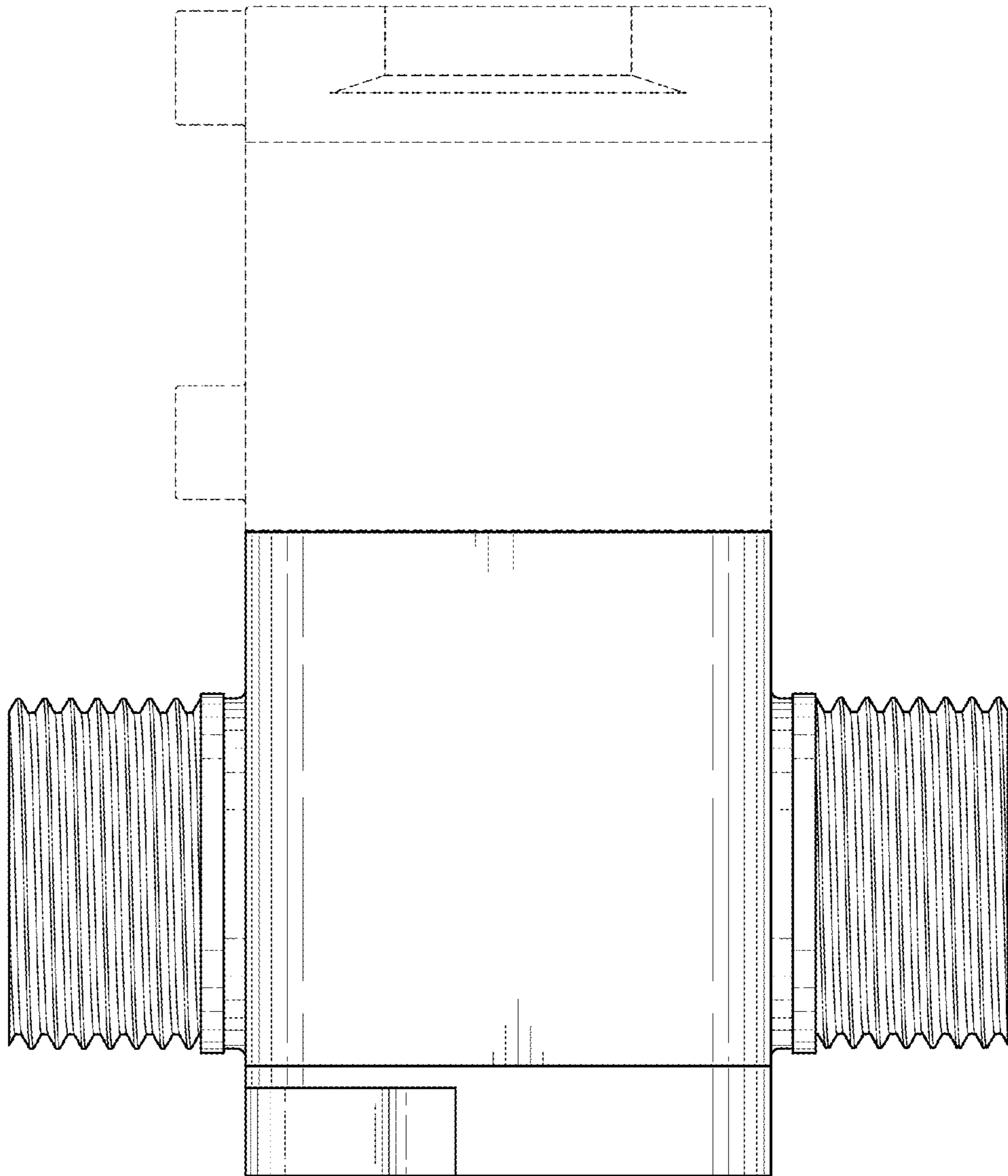


FIG. 2

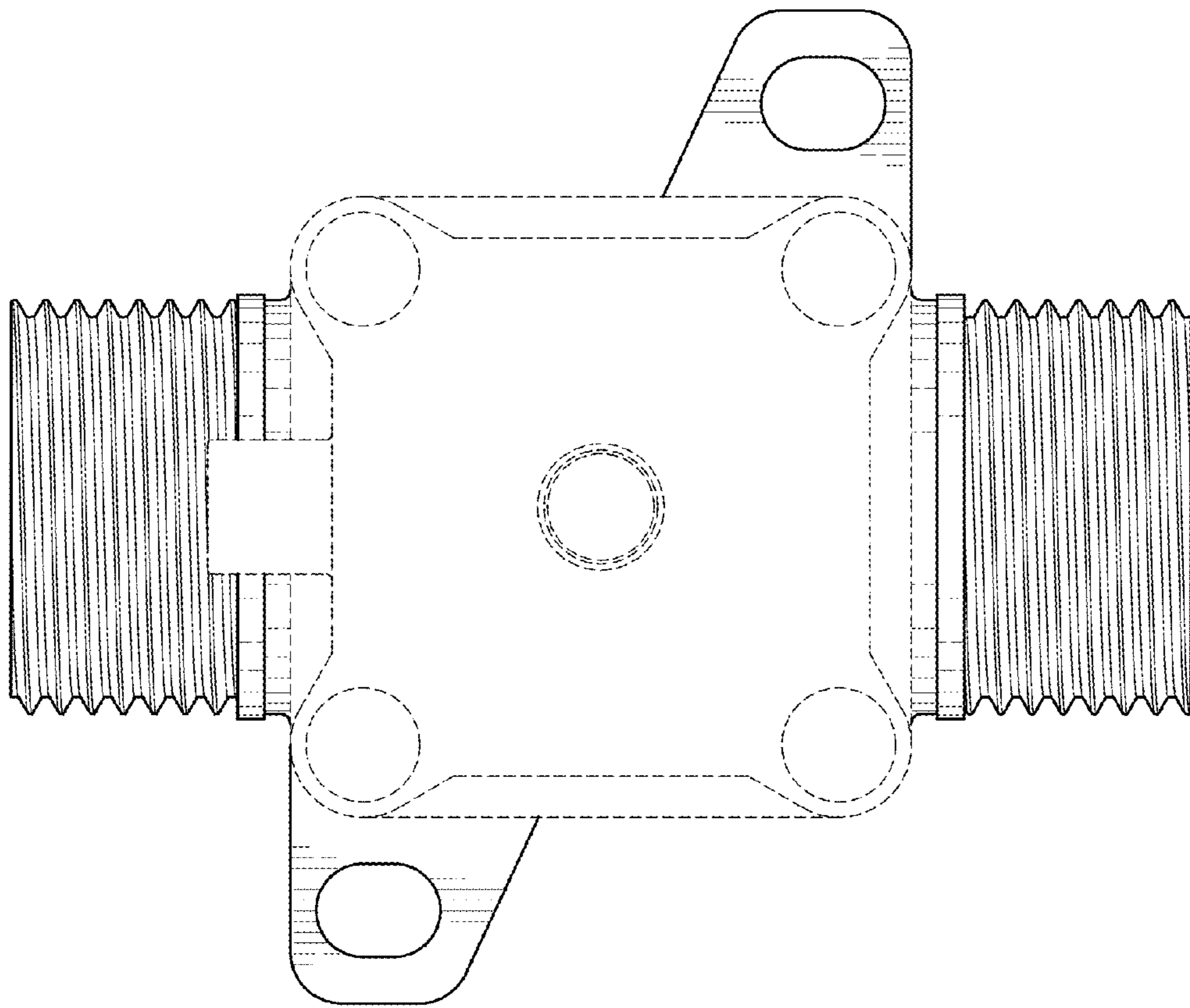


FIG. 3

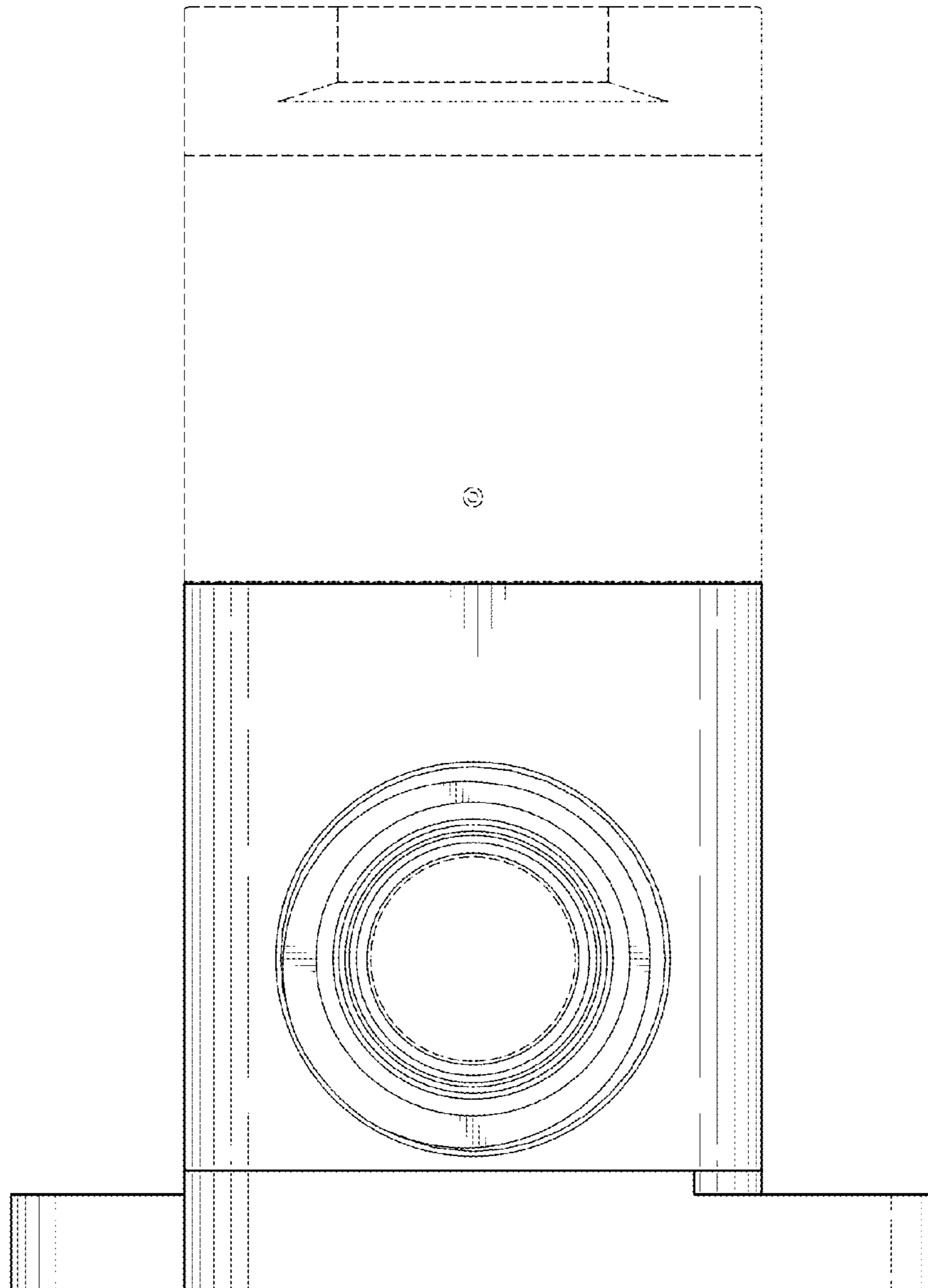


FIG. 4

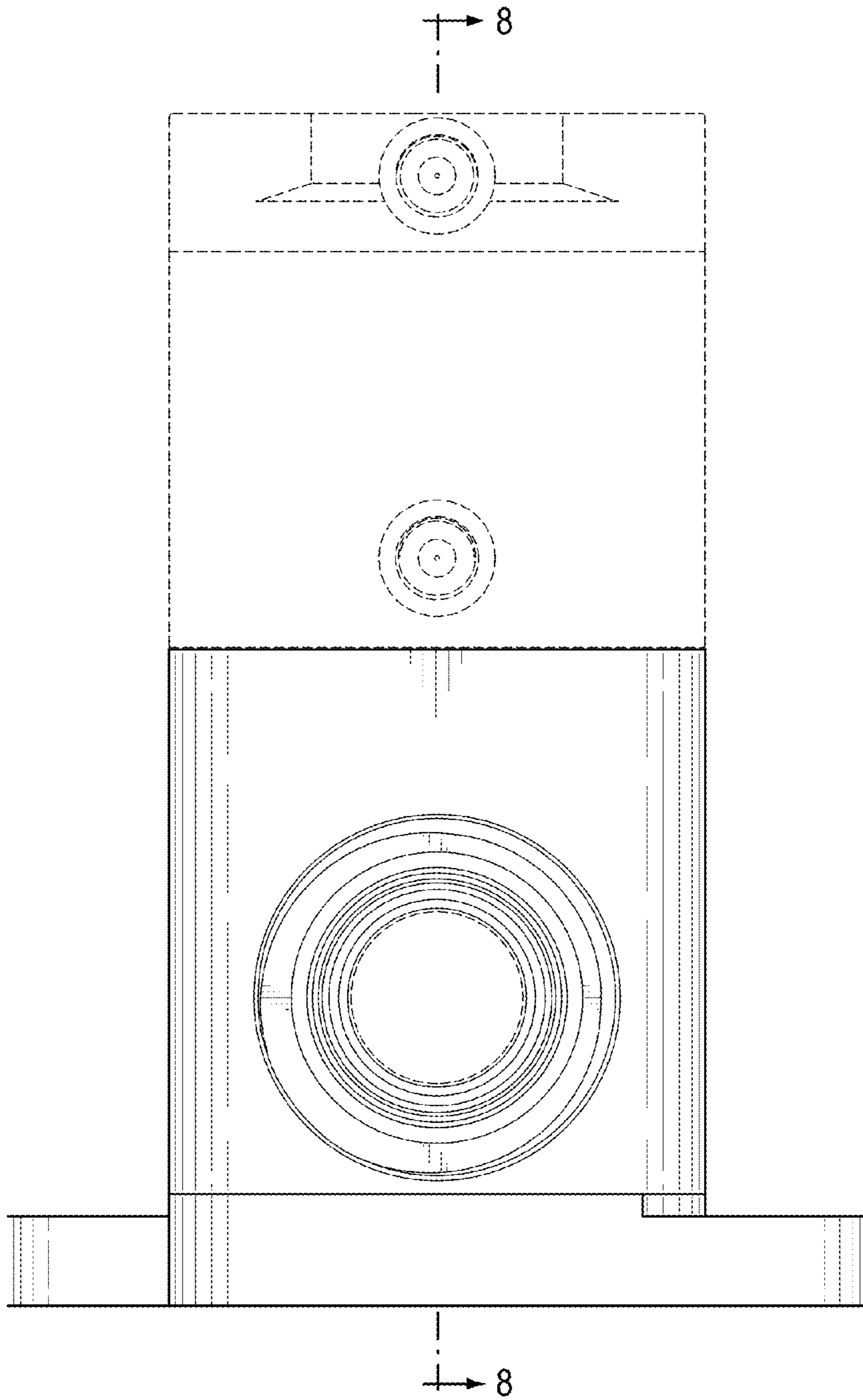


FIG. 5

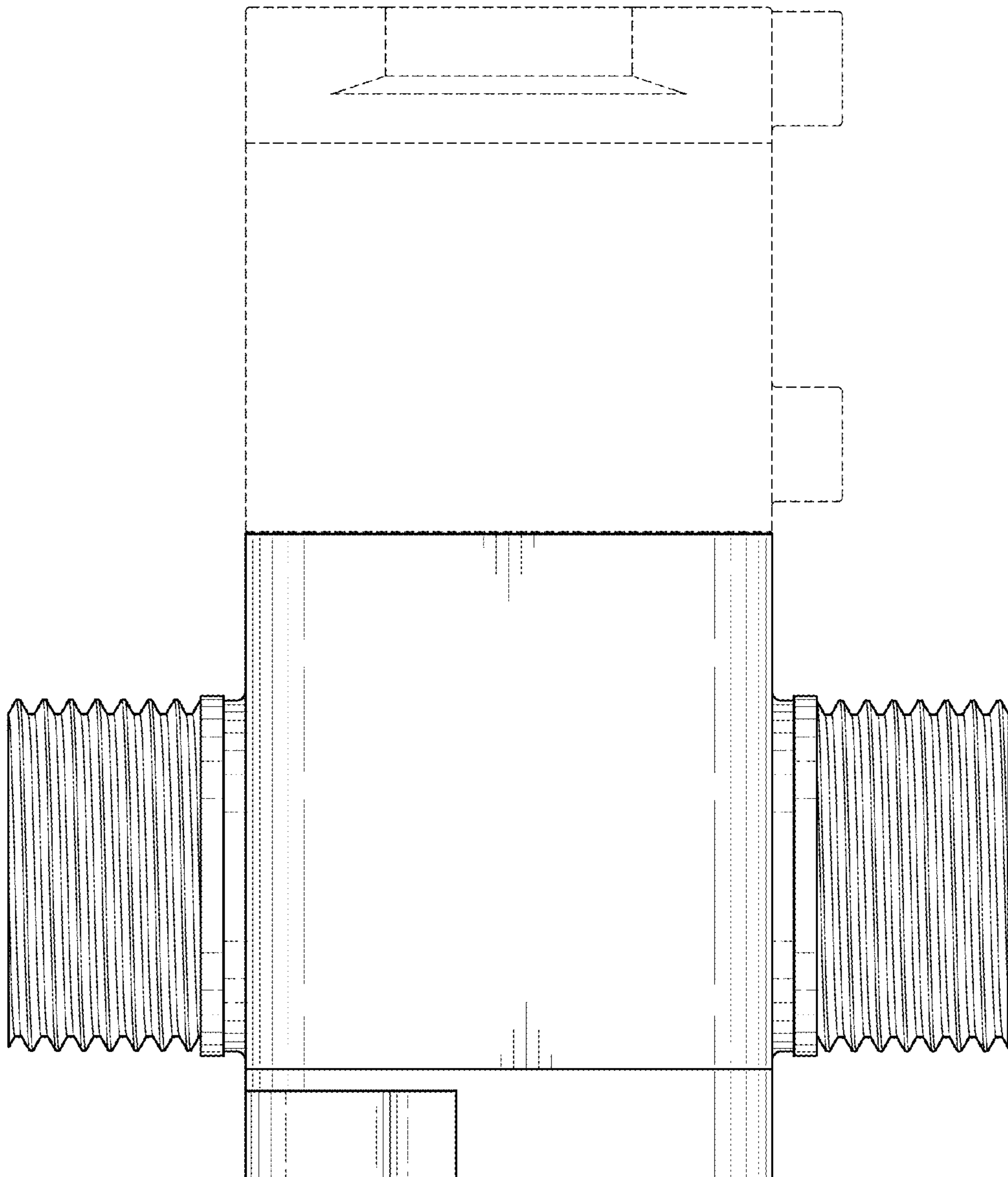


FIG. 6

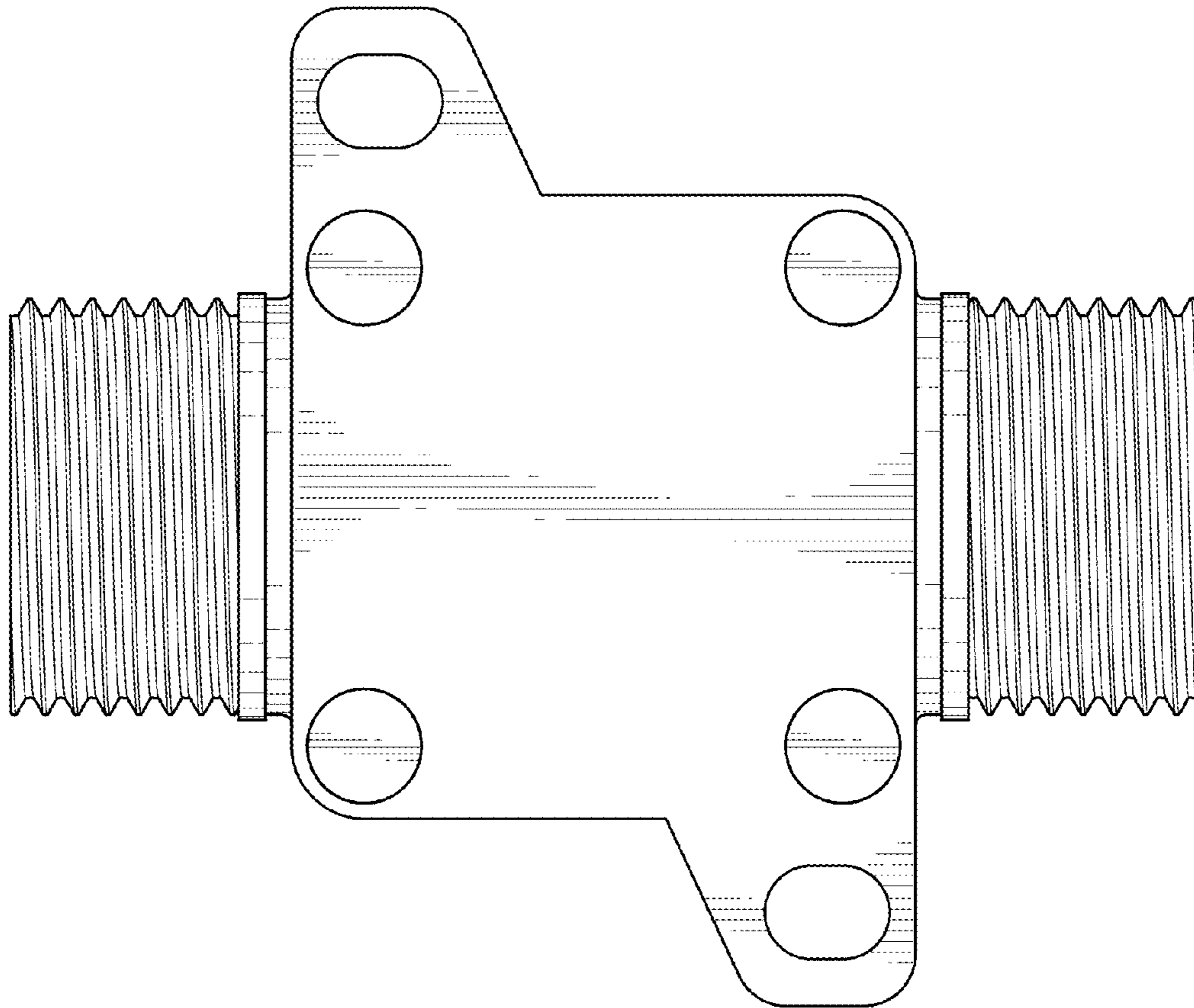


FIG. 7



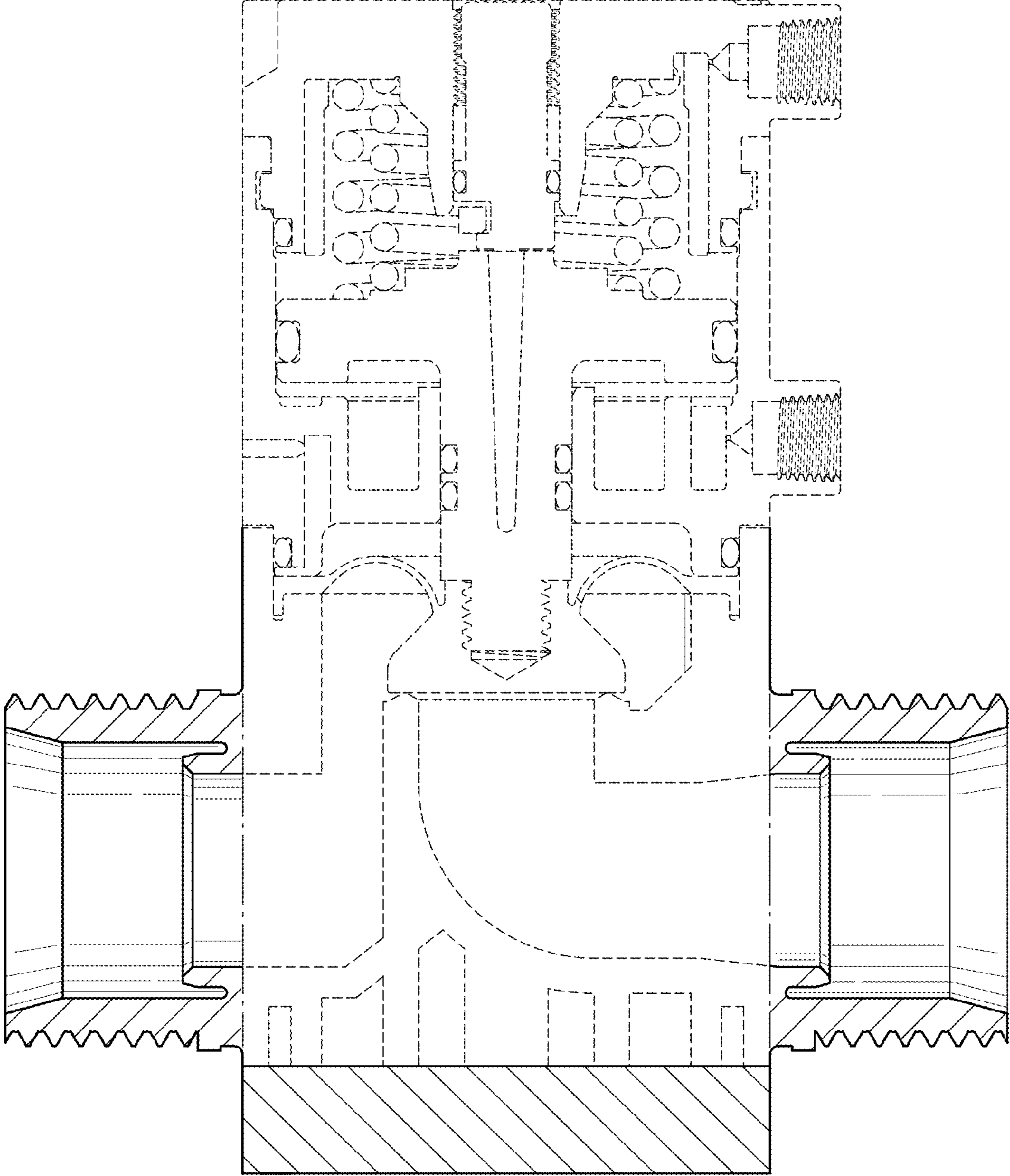


FIG. 8